



US00D730703S

(12) **United States Design Patent**  
**Bucks**

(10) **Patent No.:** **US D730,703 S**  
(45) **Date of Patent:** **\*\* Jun. 2, 2015**

(54) **KNIFE HOLDER**

(71) Applicant: **FAM, Kontich (BE)**

(72) Inventor: **Brent L. Bucks, Lakewood Ranch, FL (US)**

(73) Assignee: **FAM, Kontich (BE)**

(\*\*) Term: **14 Years**

(21) Appl. No.: **29/490,213**

(22) Filed: **May 7, 2014**

(51) **LOC (10) Cl.** ..... **07-03**

(52) **U.S. Cl.**  
USPC ..... **D7/650; D7/649; D7/401.2**

(58) **Field of Classification Search**  
USPC ..... D7/393-395, 401.2, 637, 641-652, 693, D7/695-696; D8/6, 19, 93, 97-100, 107, D8/300, 321; D15/11, 78; D22/117-118; D25/125; D34/29; 30/136, 142, 30/147-149, 172, 329, 340-345; 144/174  
CPC . A47G 21/06; A47G 21/065; A61B 17/3211; A61B 17/3213; B21D 53/64; B26B 1/00; B26B 1/08; B26B 1/10; B26B 3/00; B26B 3/02; B26B 3/03; B26B 3/04; B26B 3/06; B26B 5/00; B26B 5/001; B26B 5/007; B26B 7/00; B26B 7/005; B26B 9/00; B26B 9/02; B26B 11/00; B26B 11/006; B26B 17/00; B26B 17/006; B27L 11/005; E04D 15/003

See application file for complete search history.

(56) **References Cited**

U.S. PATENT DOCUMENTS

D57,561 S *	4/1921	Wilson .....	D8/19
D229,493 S *	12/1973	Feakins .....	D25/125
D237,245 S *	10/1975	Smyth .....	D8/6
D293,323 S *	12/1987	Slattery et al. ....	D15/78
D296,177 S *	6/1988	Nolen et al. ....	D7/637
5,280,676 A *	1/1994	Fieni .....	30/172
D360,560 S *	7/1995	Stroecker .....	D7/637
D366,814 S *	2/1996	Stroecker .....	D7/641
6,968,879 B2 *	11/2005	Schuh et al. ....	144/174
D512,279 S *	12/2005	Berger et al. ....	D7/637
D570,501 S *	6/2008	Janesz et al. ....	D25/125
D591,475 S *	4/2009	Campbell et al. ....	D34/29
D617,350 S *	6/2010	Cummings .....	D15/11

\* cited by examiner

*Primary Examiner* — Ricky Pham

(74) *Attorney, Agent, or Firm* — Koppel, Patrick, Heybl & Philpott

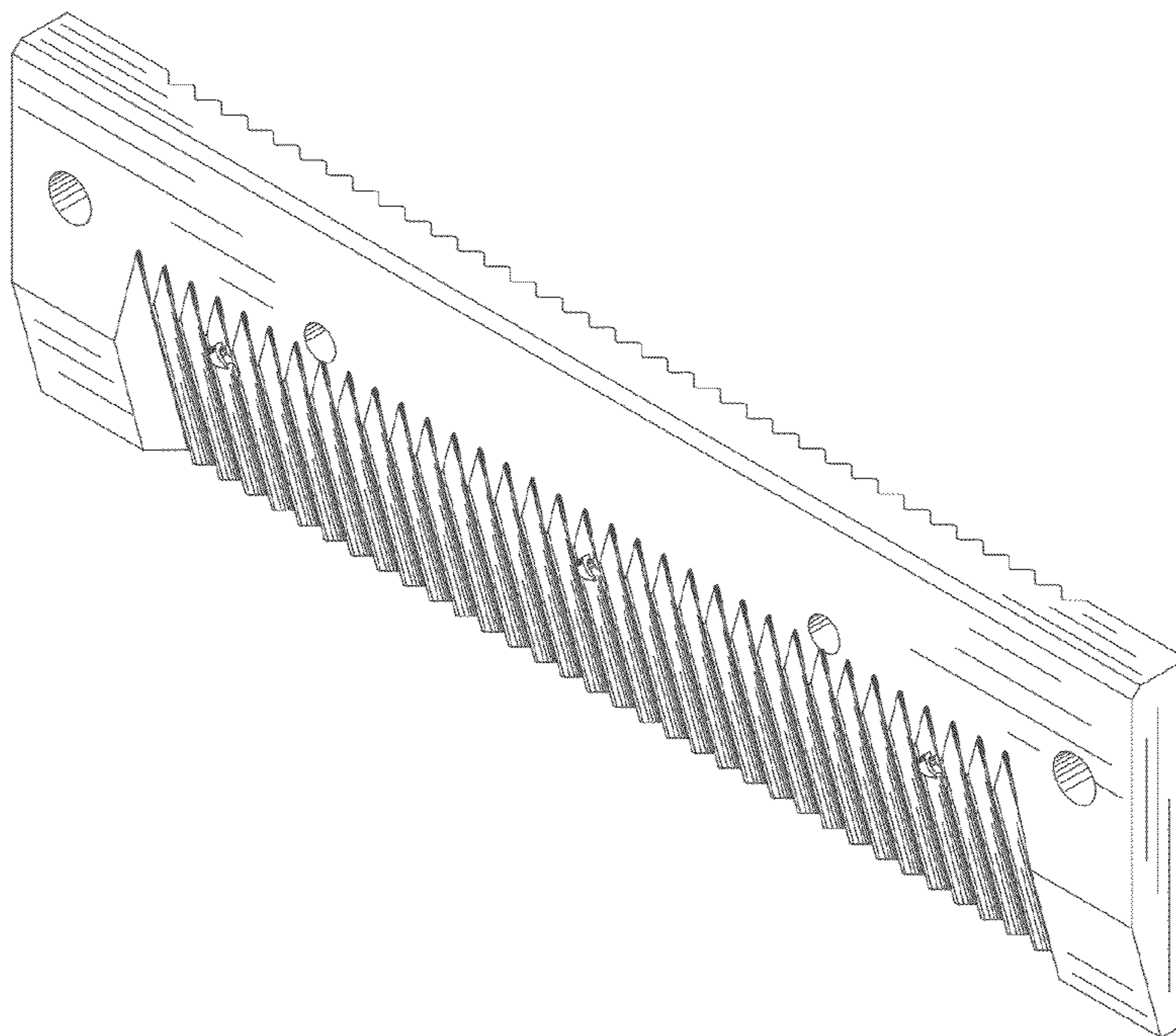
(57) **CLAIM**

The ornamental design for a knife holder, as shown.

**DESCRIPTION**

FIG. 1 is an isometric view of a top, rear, and right side of a new ornamental design for a knife holder;  
FIG. 2 is a top view of the knife holder of FIG. 1;  
FIG. 3 is a bottom view of the knife holder of FIG. 1;  
FIG. 4 is a right side elevational view, the left side elevational view being a mirror image thereof, of the knife holder of FIG. 1;  
FIG. 5 is a front elevational view of the knife holder of FIG. 1; and,  
FIG. 6 is a rear elevational view of the knife holder of FIG. 1.

**1 Claim, 3 Drawing Sheets**



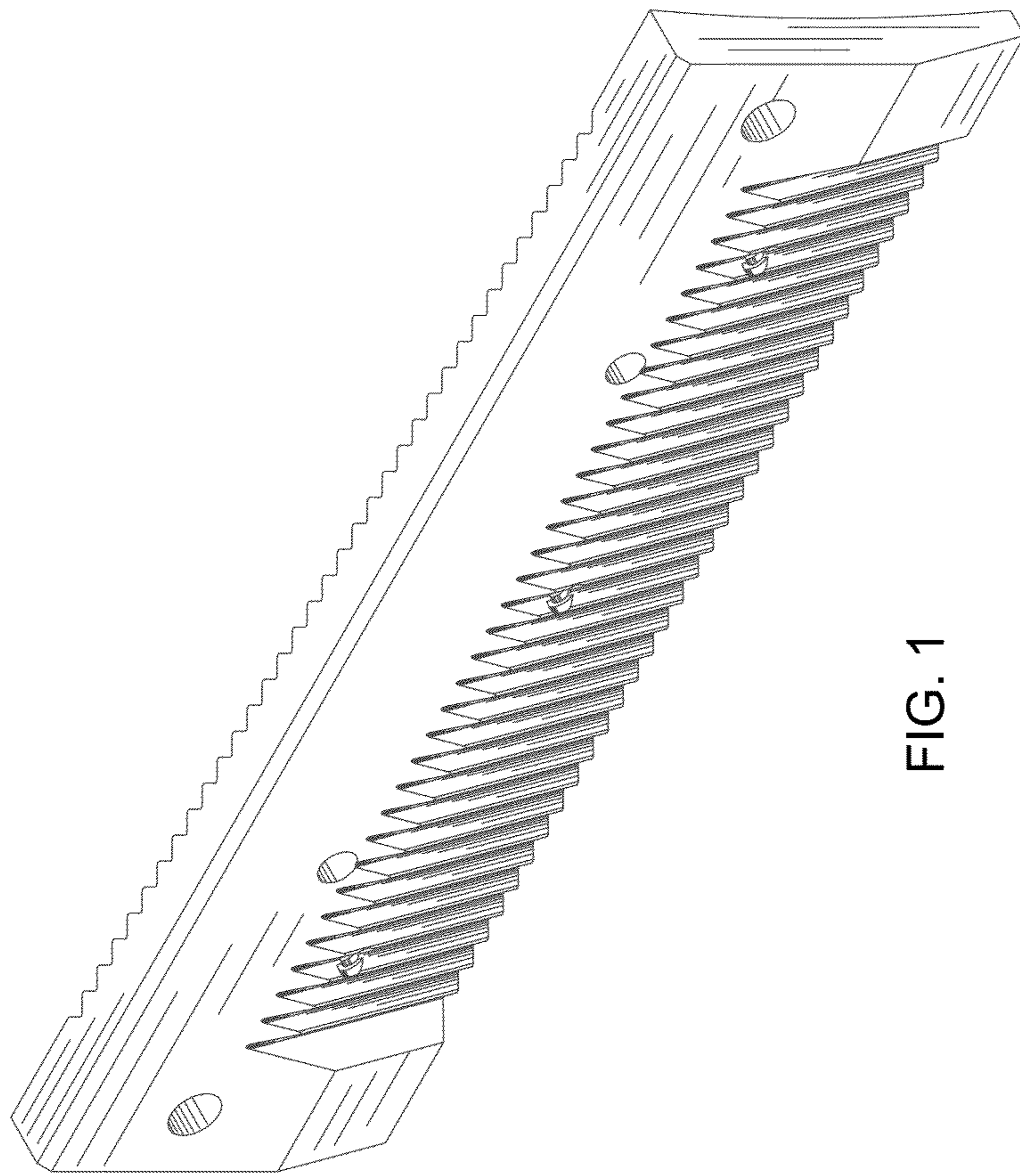


FIG. 1

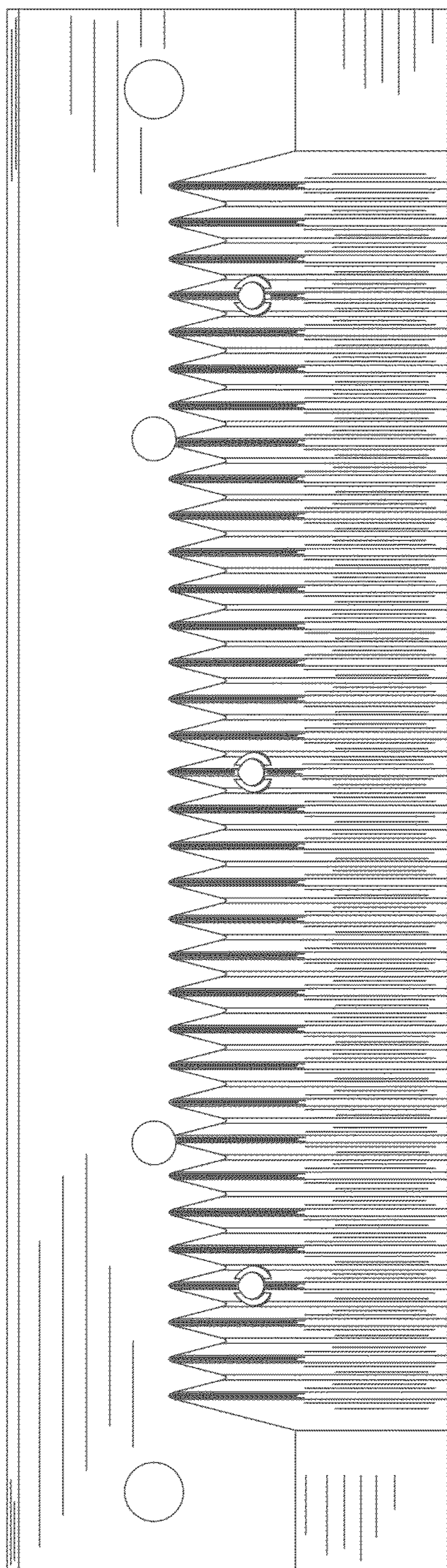


FIG. 2

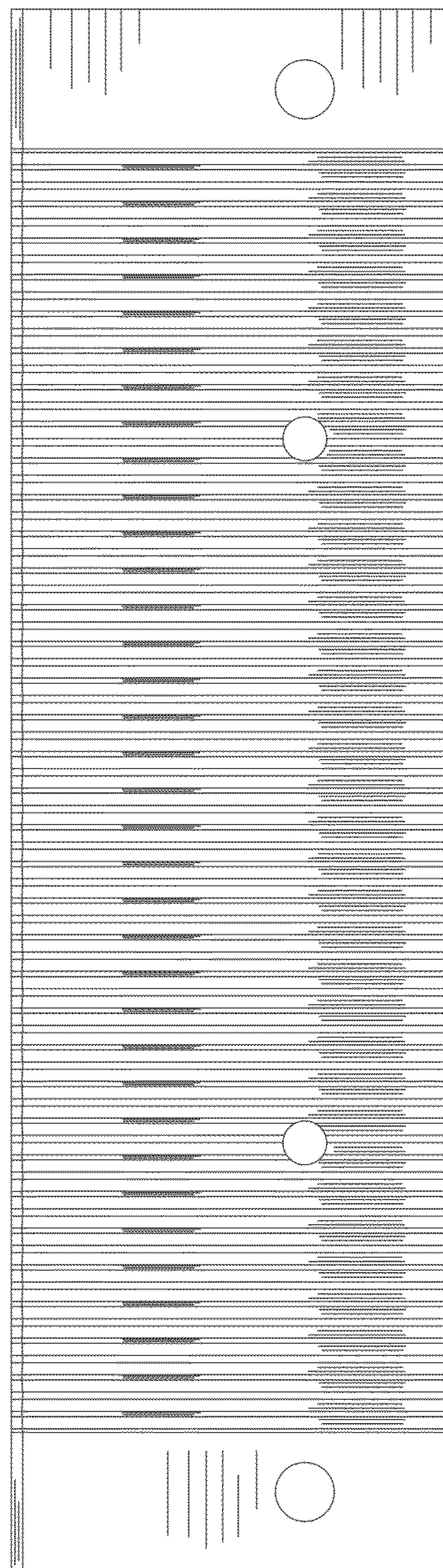


FIG. 3



FIG. 4



FIG. 5



FIG. 6