



US00D730699S

(12) **United States Design Patent**
Mok

(10) **Patent No.:** **US D730,699 S**
(45) **Date of Patent:** **** Jun. 2, 2015**

(54) **CONTAINER**

(71) Applicant: **Chun Po Mok**, Aberdeen (HK)

(72) Inventor: **Chun Po Mok**, Aberdeen (HK)

(73) Assignee: **FMC MANUFACTURING COMPANY LIMITED**, Hong Kong (HK)

(**) Term: **14 Years**

(21) Appl. No.: **29/437,561**

(22) Filed: **Nov. 19, 2012**

(51) **LOC (10) Cl.** **07-01**

(52) **U.S. Cl.**
USPC **D7/602**

(58) **Field of Classification Search**

CPC B65D 25/04; B65D 81/18; B65D 81/00;
B65D 81/22; B65D 81/24; B65D 81/34;
B65D 81/3446; B65D 77/0433; B65D
2543/00203; B65D 2543/00509; B65D
2543/00555; B65D 2543/00694; B65D
2543/00805; B65D 2543/00972; B65D
2543/00268; B65D 2543/00277; B65D
2543/00314; B65D 2543/00305; B65D
2543/00425; B65D 2543/00435; B65D
2543/00592; B65D 2543/00602; B65D
2543/007; B65D 53/02; B65D 45/22; B65D
23/00; B65D 1/34; B65D 1/42; B65D
43/0206; B65D 21/0219; B65D 21/0222

See application file for complete search history.

(56) **References Cited**

U.S. PATENT DOCUMENTS

D452,374 S * 12/2001 Kim D3/302
6,415,947 B1 * 7/2002 Kim 220/788
D479,954 S * 9/2003 Kim D7/629
D481,910 S * 11/2003 Kim D7/629
D483,622 S * 12/2003 Kim D7/629
D484,367 S * 12/2003 Kim D7/629
D489,530 S * 5/2004 Lindsay D3/302
6,793,096 B1 * 9/2004 Seok 220/788

D500,227 S * 12/2004 Seok D7/392.1
D516,376 S * 3/2006 Kim D7/392.1
D517,311 S * 3/2006 Kim D3/218
D528,357 S * 9/2006 Hsu D7/392.1
D544,762 S * 6/2007 Zimmerman D7/629
7,255,228 B2 * 8/2007 Kim 206/320
D591,112 S * 4/2009 Wang D7/629
D610,878 S * 3/2010 Kim D7/629

(Continued)

Primary Examiner — Ian Simmons

Assistant Examiner — Shannon Morgan

(74) *Attorney, Agent, or Firm* — Ostrolenk Faber LLP

(57) **CLAIM**

The ornamental design for a container, as shown and described.

DESCRIPTION

FIG. 1 is a front perspective view of a container showing my new design;

FIG. 2 is a top plan view thereof;

FIG. 3 is a bottom plan view thereof;

FIG. 4 is a right side elevational view thereof;

FIG. 5 is a left side elevational view thereof;

FIG. 6 is a front side elevational view thereof;

FIG. 7 is a rear side elevational view thereof;

FIG. 8 is a front perspective view of the container of FIG. 1 shown with the base portion removed, showing my new design;

FIG. 9 is a top plan view thereof;

FIG. 10 is a bottom plan view thereof;

FIG. 11 is a right side elevational view thereof;

FIG. 12 is a left side elevational view thereof;

FIG. 13 is a front side elevational view thereof;

FIG. 14 is a rear side elevational view thereof;

FIG. 15 is a front perspective view of the container of FIG. 1 shown with the lid portion removed, showing my new design;

FIG. 16 is a top plan view thereof;

FIG. 17 is a bottom plan view thereof;

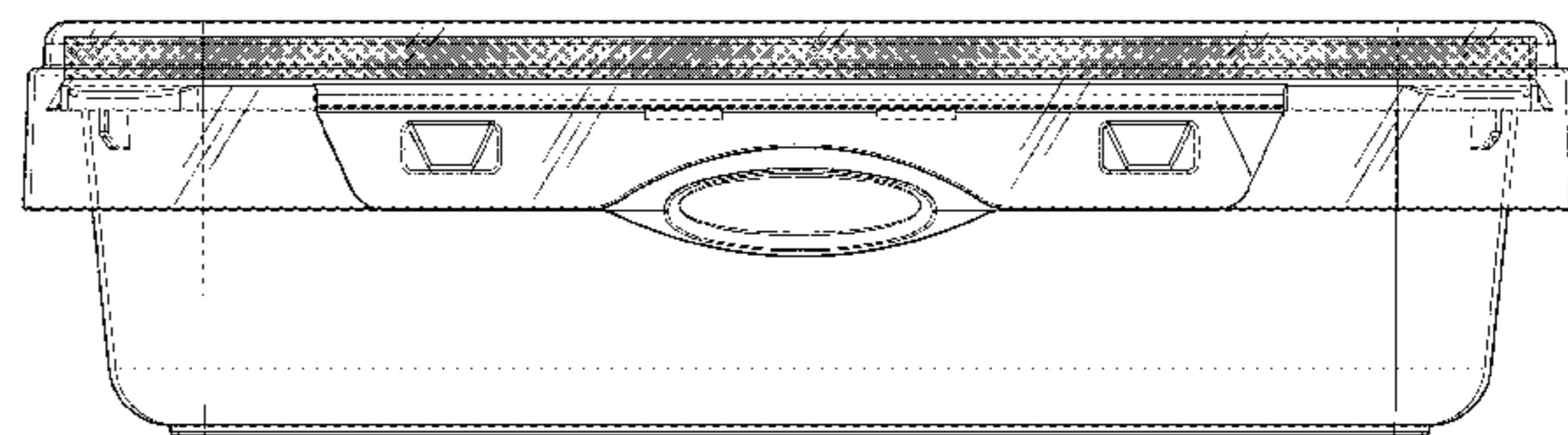
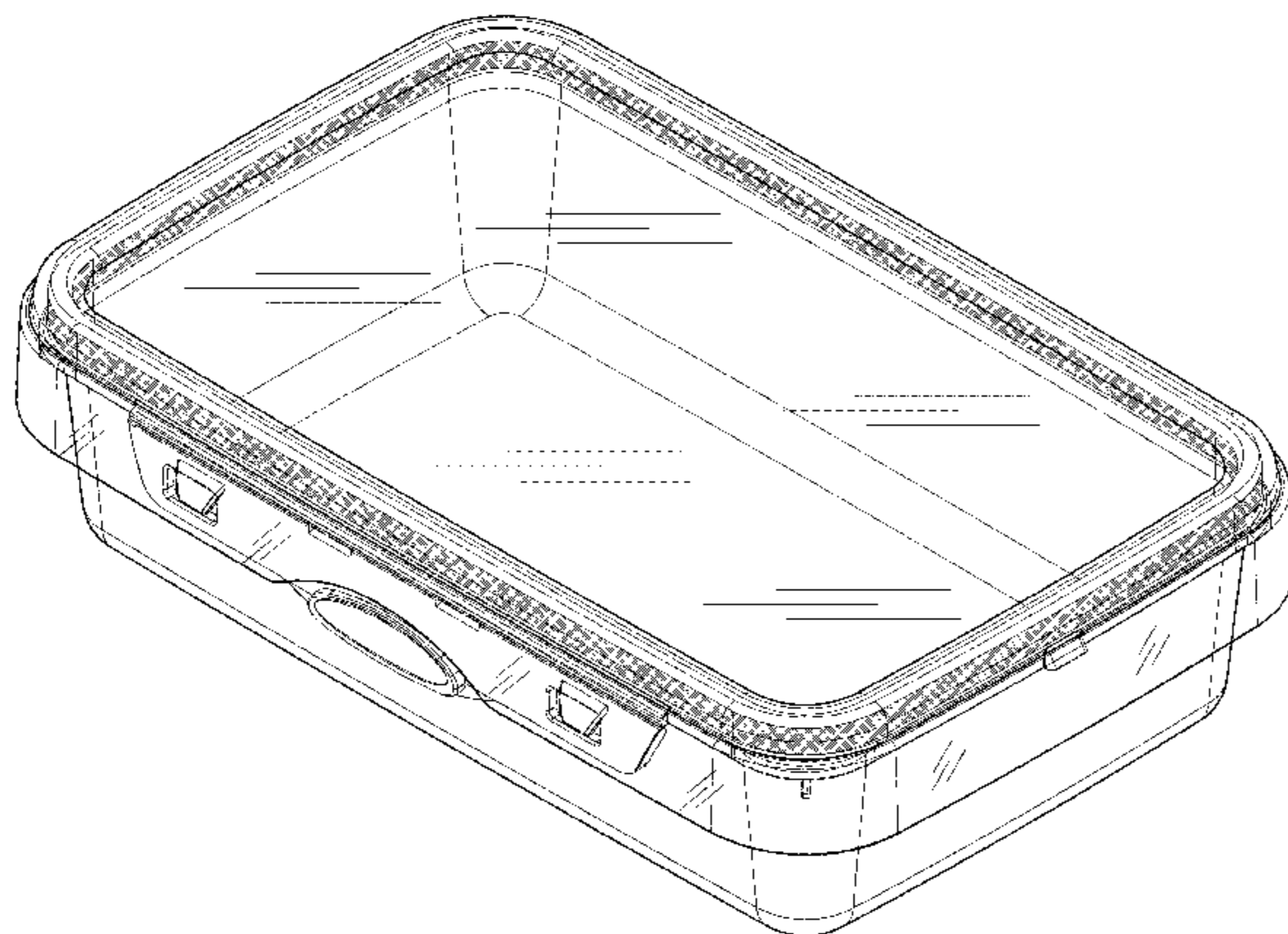
FIG. 18 is a right side view thereof;

FIG. 19 is a left side elevational view thereof;

FIG. 20 is a front side elevational view thereof; and,

FIG. 21 is a rear side elevational view thereof.

1 Claim, 15 Drawing Sheets



(56)

References Cited

U.S. PATENT DOCUMENTS

8,047,397 B2 * 11/2011 Mittet 220/751
D651,479 S * 1/2012 Nie D7/629
D660,092 S * 5/2012 Kyung D7/629
D660,095 S * 5/2012 Kyung D7/629
D692,281 S * 10/2013 George D7/629
D696,075 S * 12/2013 Mashike D7/605
D698,206 S * 1/2014 Molayem D7/629
D698,614 S * 2/2014 Duvigneau D7/629

D699,082 S * 2/2014 Duvigneau D7/629
2004/0084464 A1 * 5/2004 Koo 220/784
2005/0006390 A1 * 1/2005 Wang 220/326
2005/0035125 A1 * 2/2005 Bae 220/326
2005/0127071 A1 * 6/2005 Khor 220/4.28
2008/0110911 A1 * 5/2008 Chen 220/788
2010/0237070 A1 * 9/2010 Coonce et al. 220/203.29
2012/0024855 A1 * 2/2012 Smyers 220/324
2013/0233753 A1 * 9/2013 Harvey et al. 206/508
2013/0233854 A1 * 9/2013 Smyers et al. 220/240
2013/0234406 A1 * 9/2013 Harvey et al. 277/645

* cited by examiner

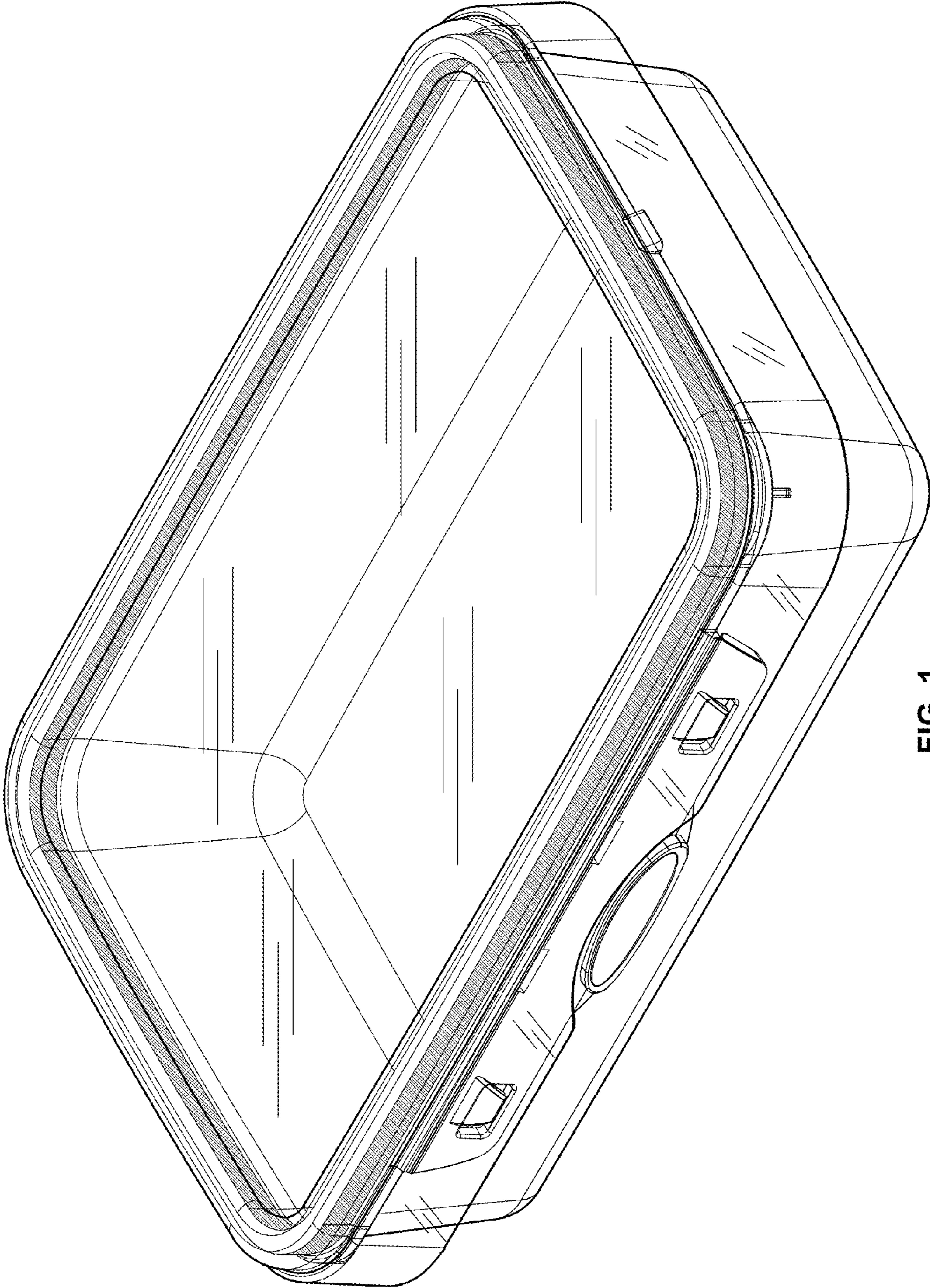


FIG. 1

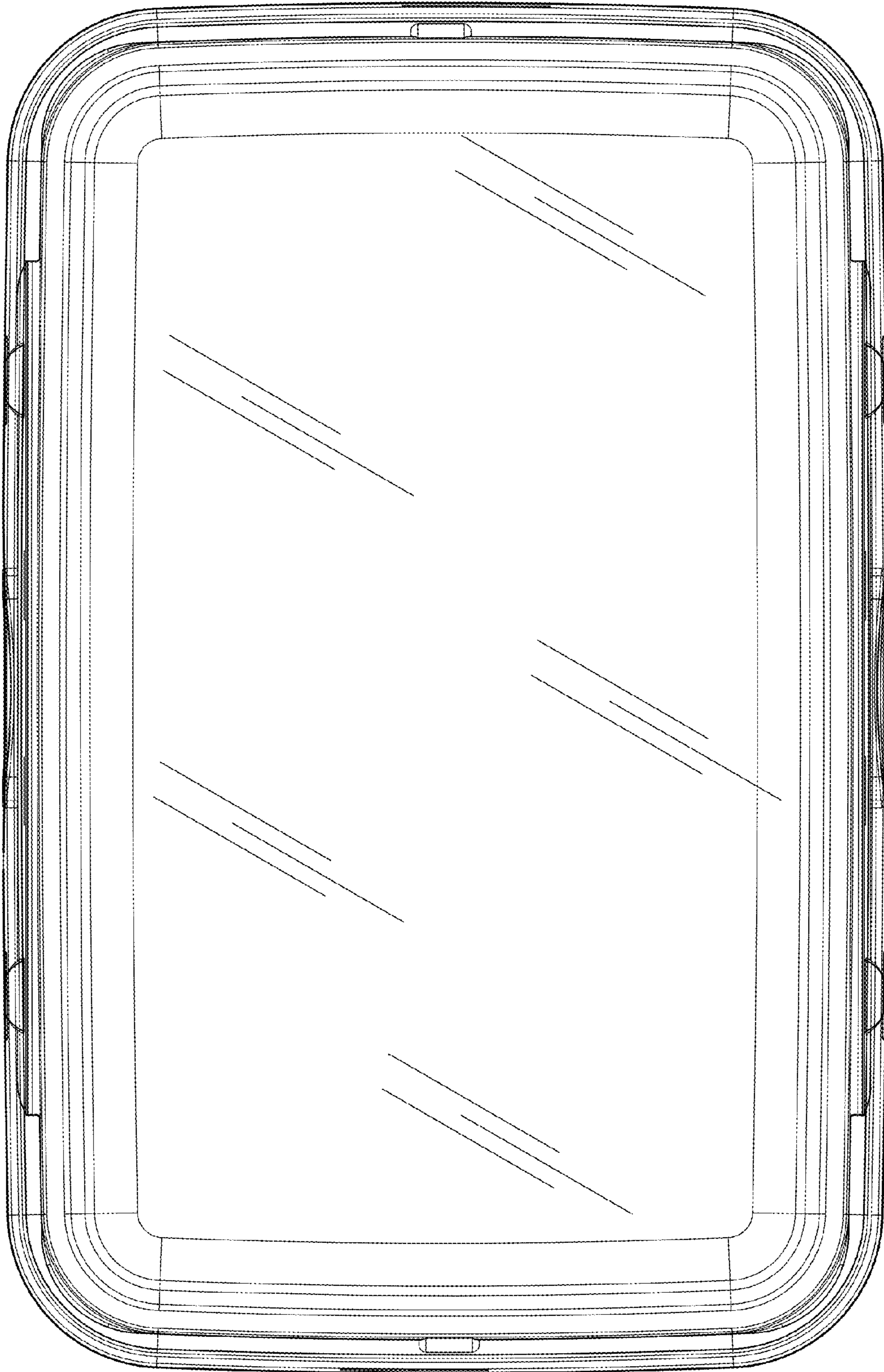


FIG. 2

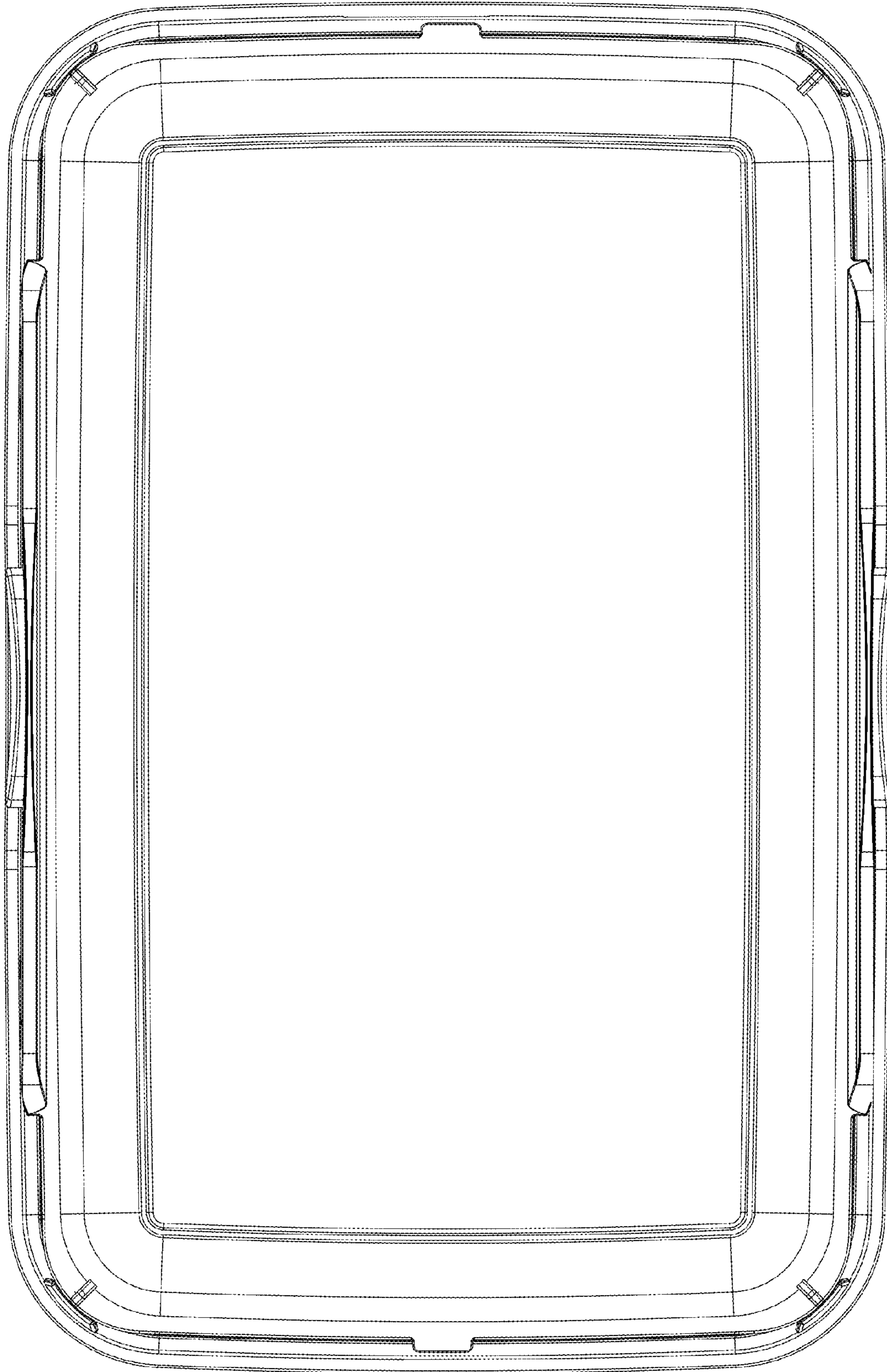


FIG. 3

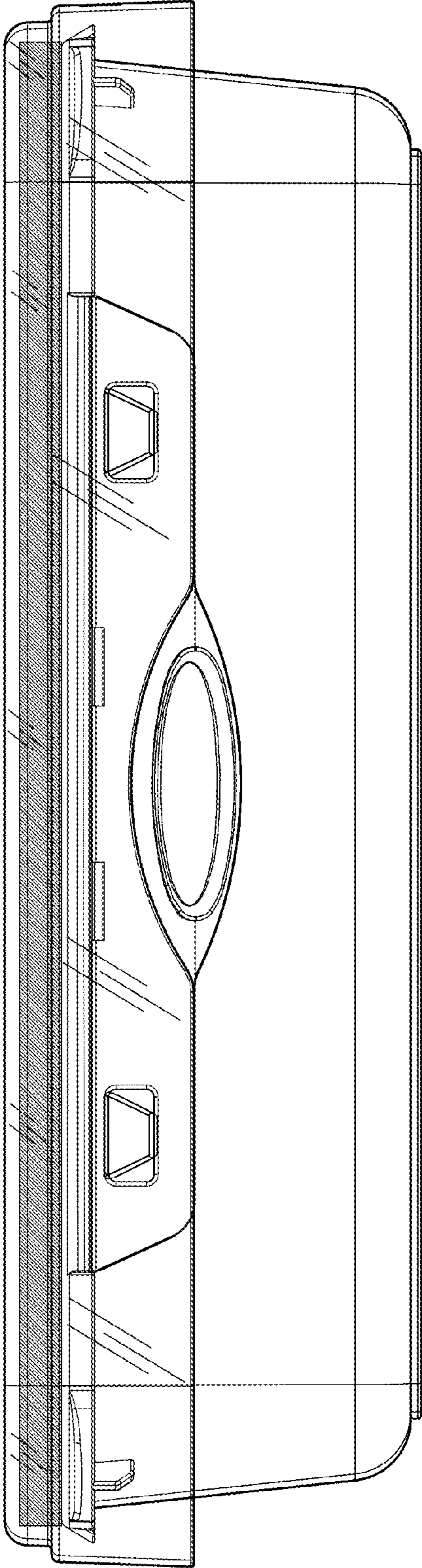


FIG. 4

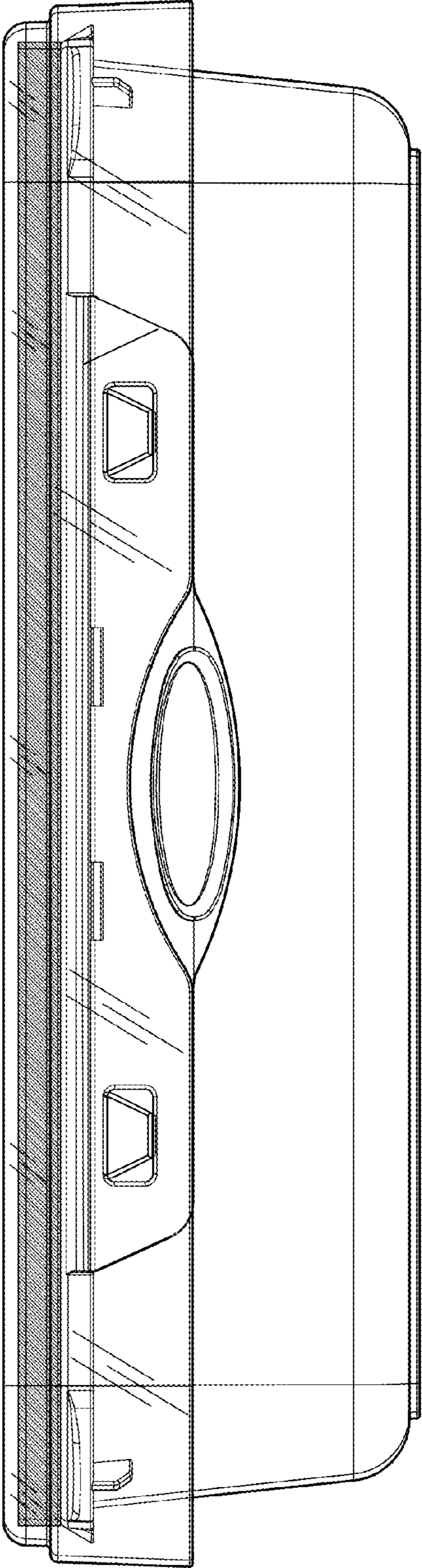


FIG. 5

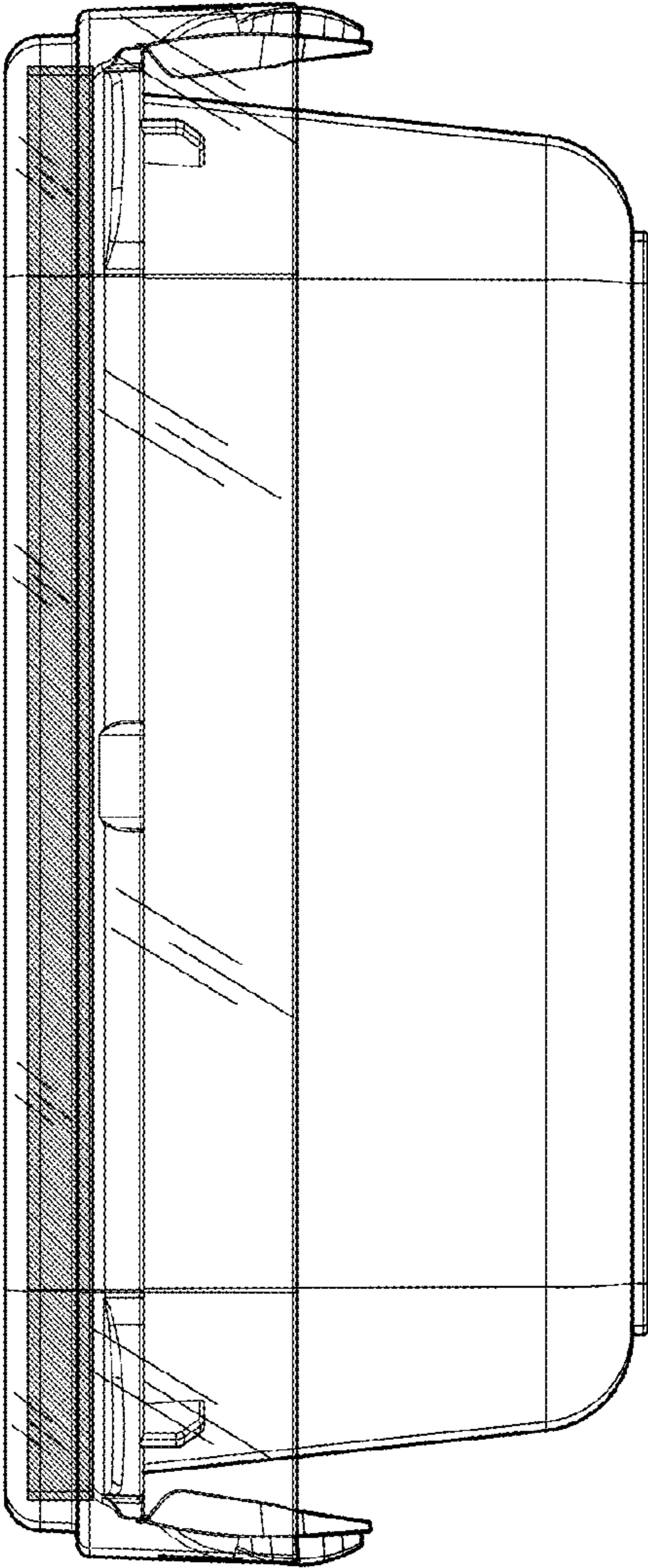


FIG. 6

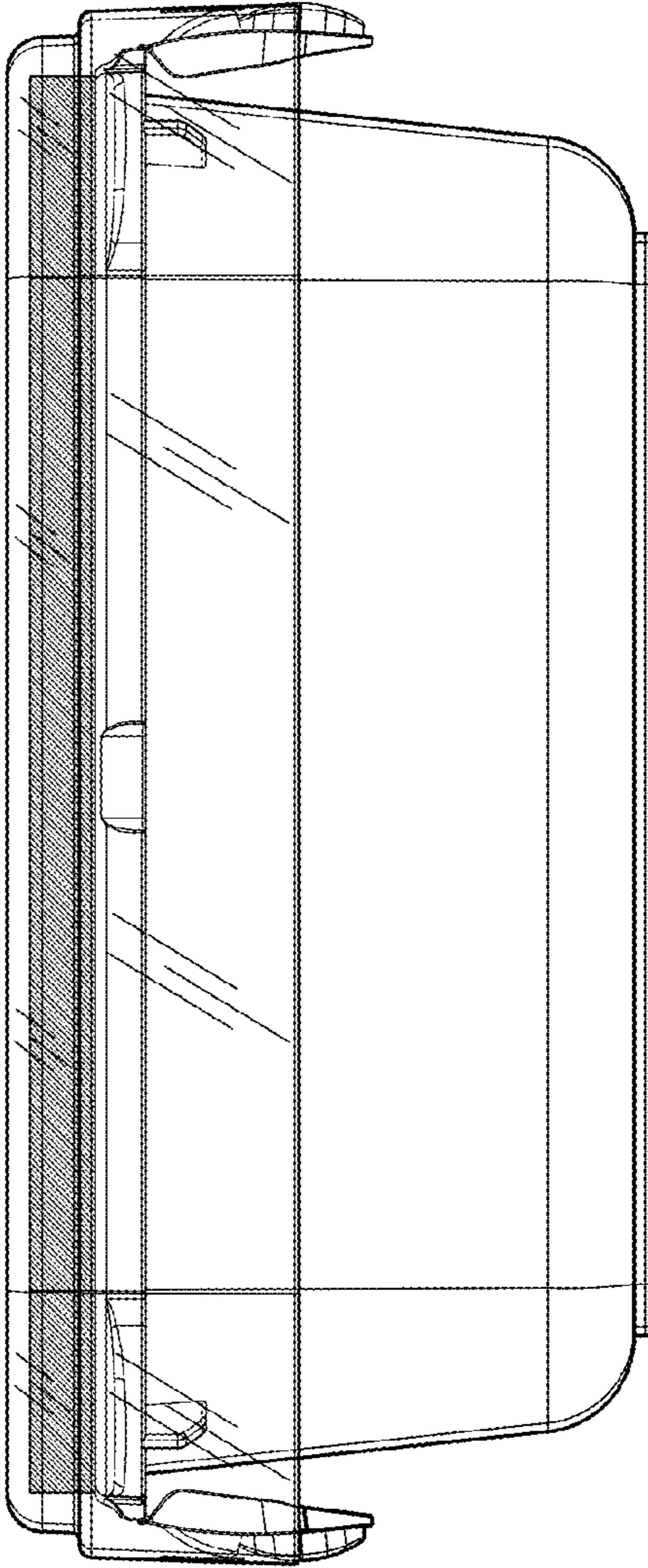


FIG. 7

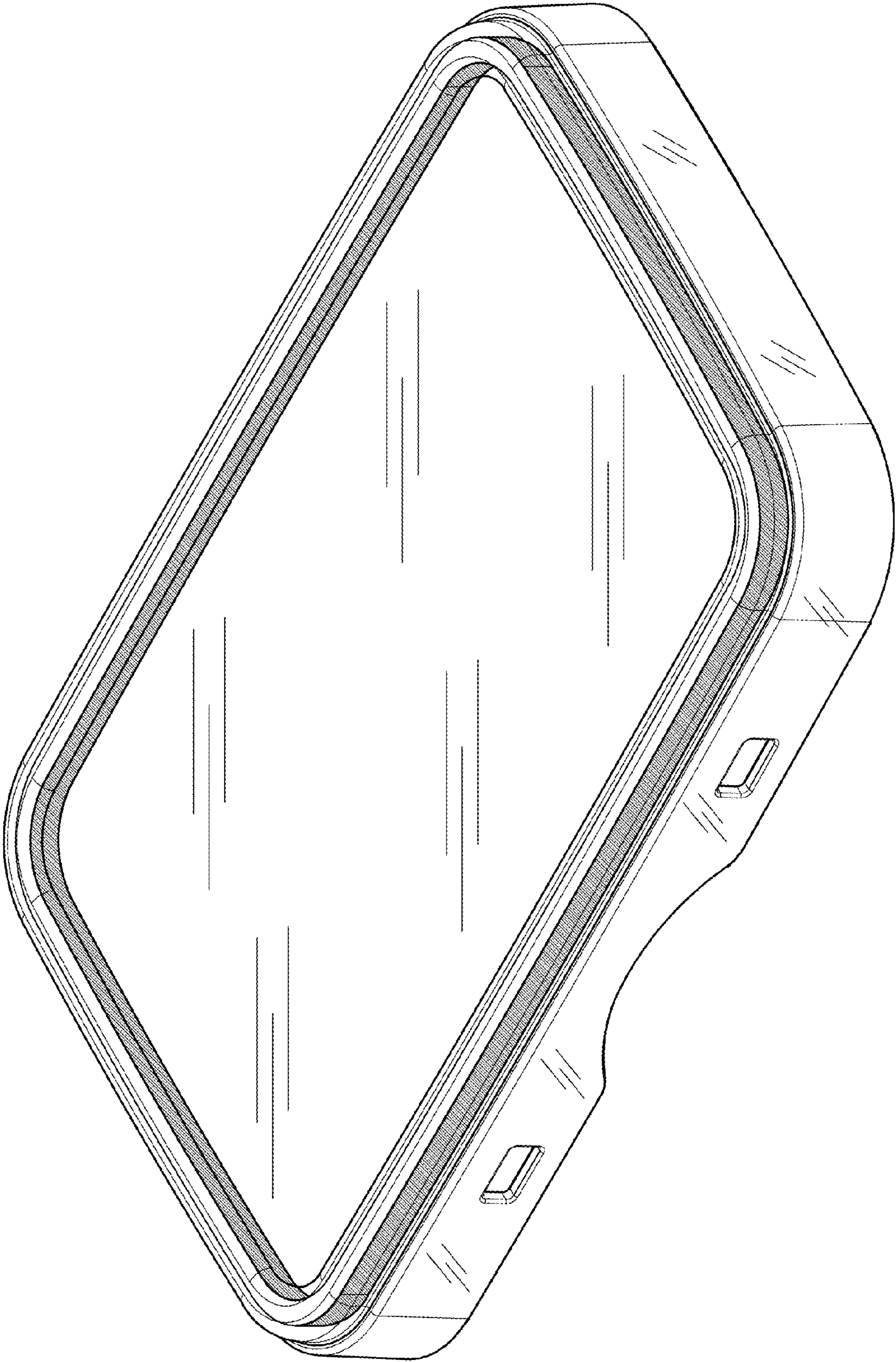


FIG. 8

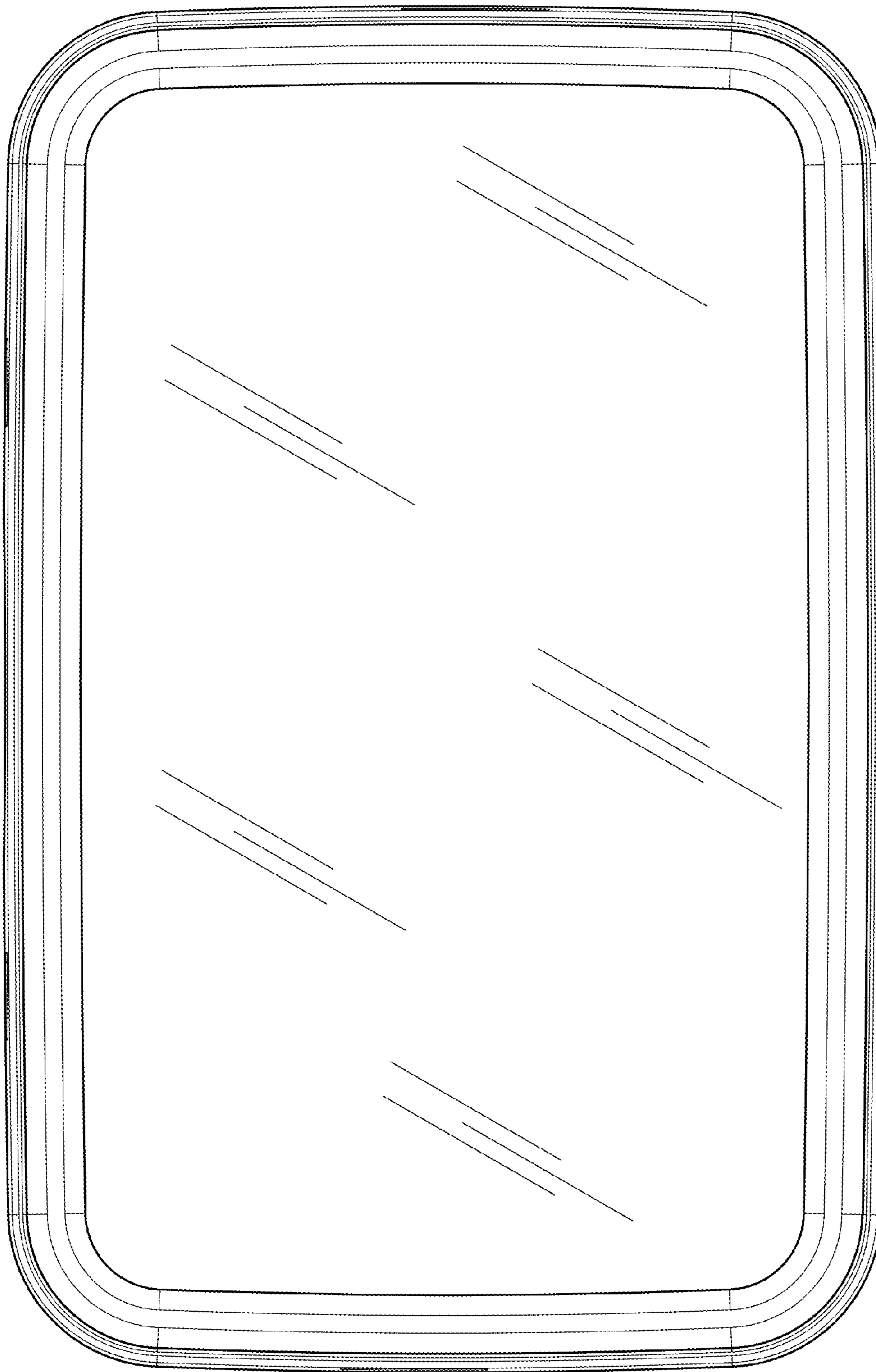


FIG. 9

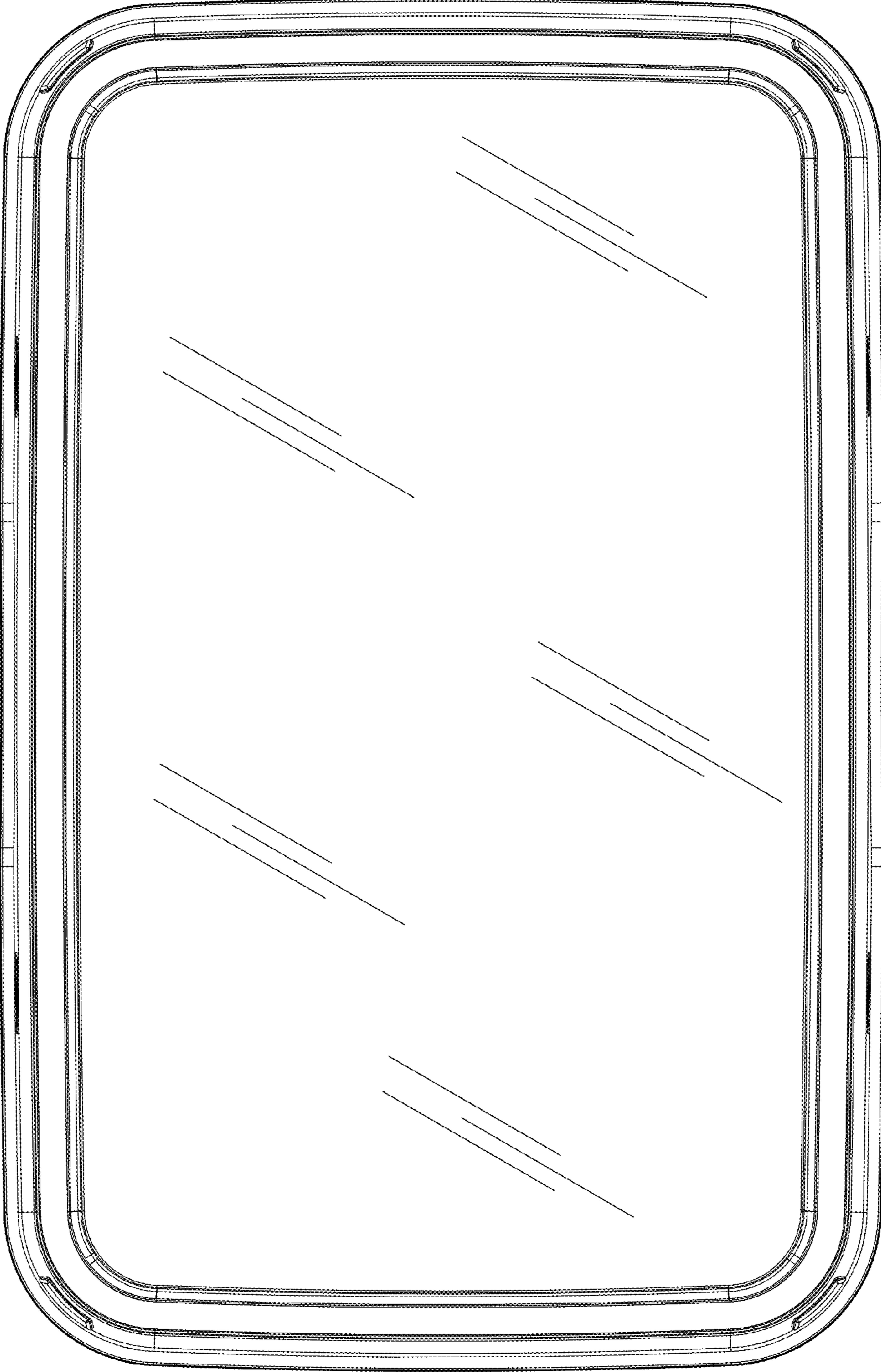


FIG. 10

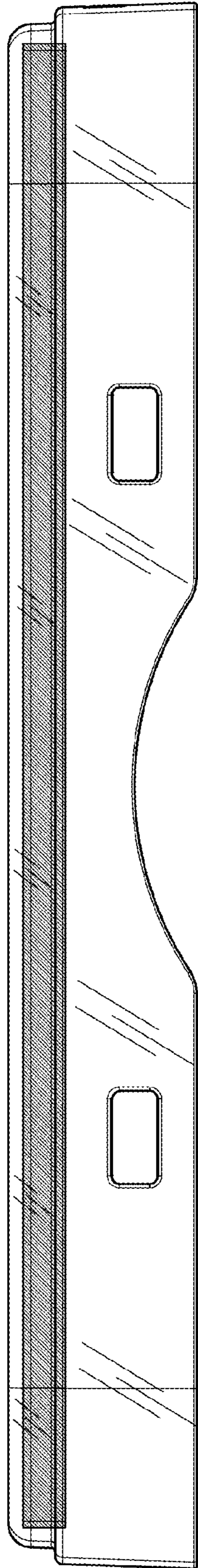


FIG. 11

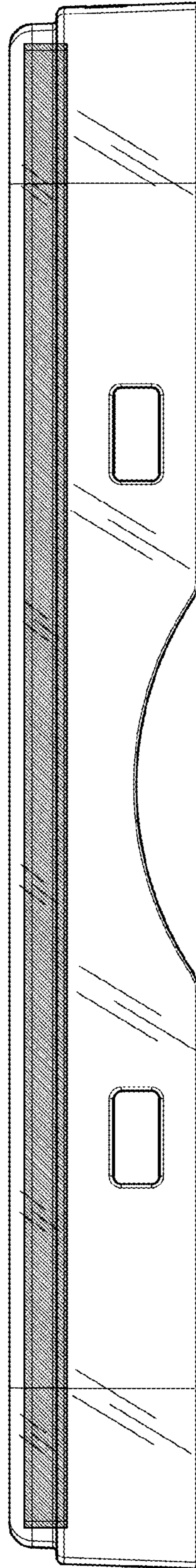


FIG. 12

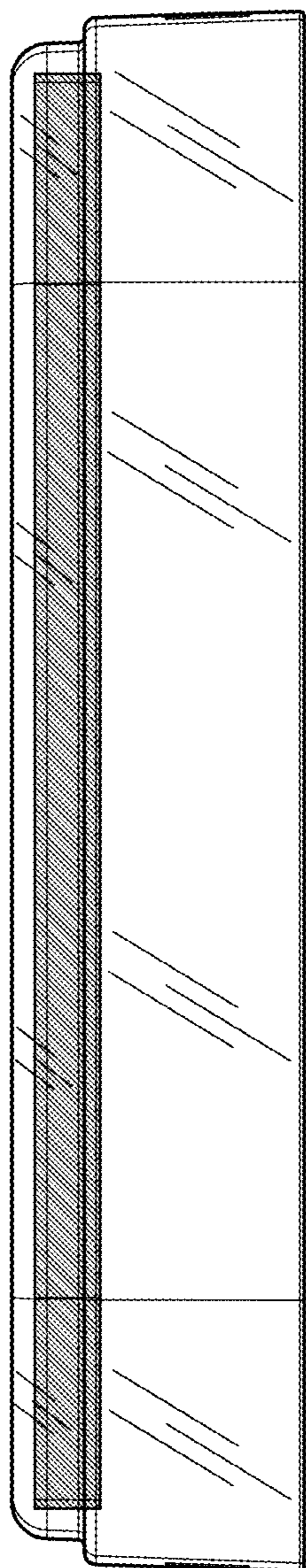


FIG. 13

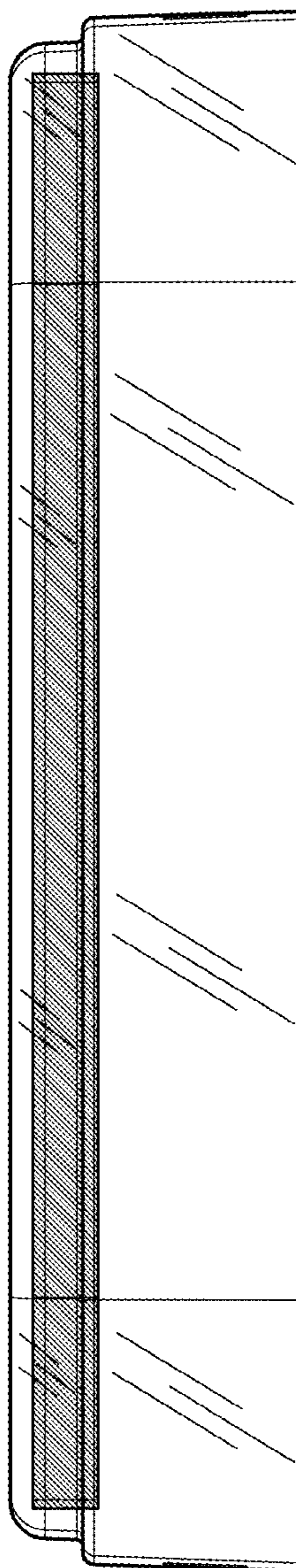


FIG. 14

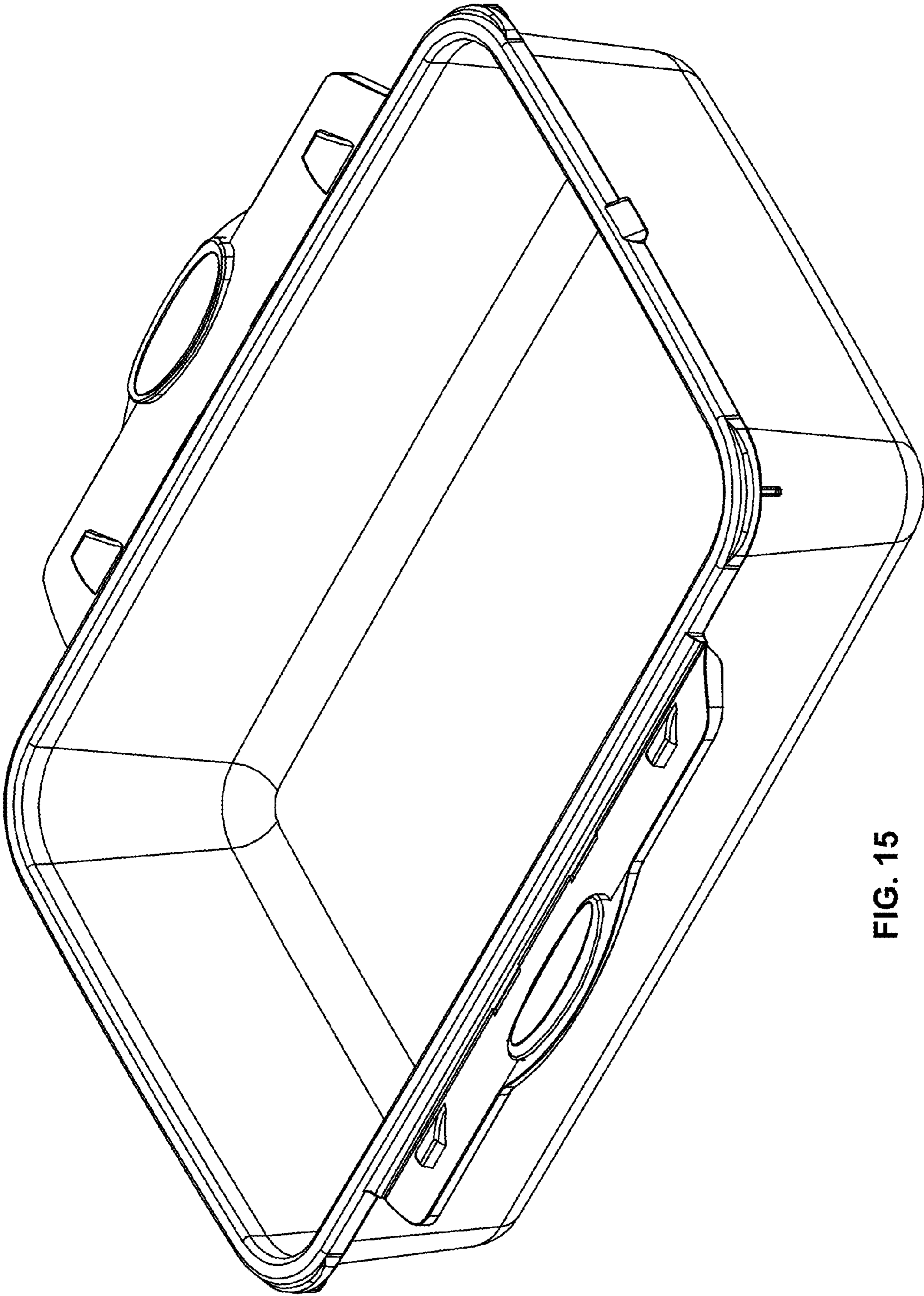


FIG. 15

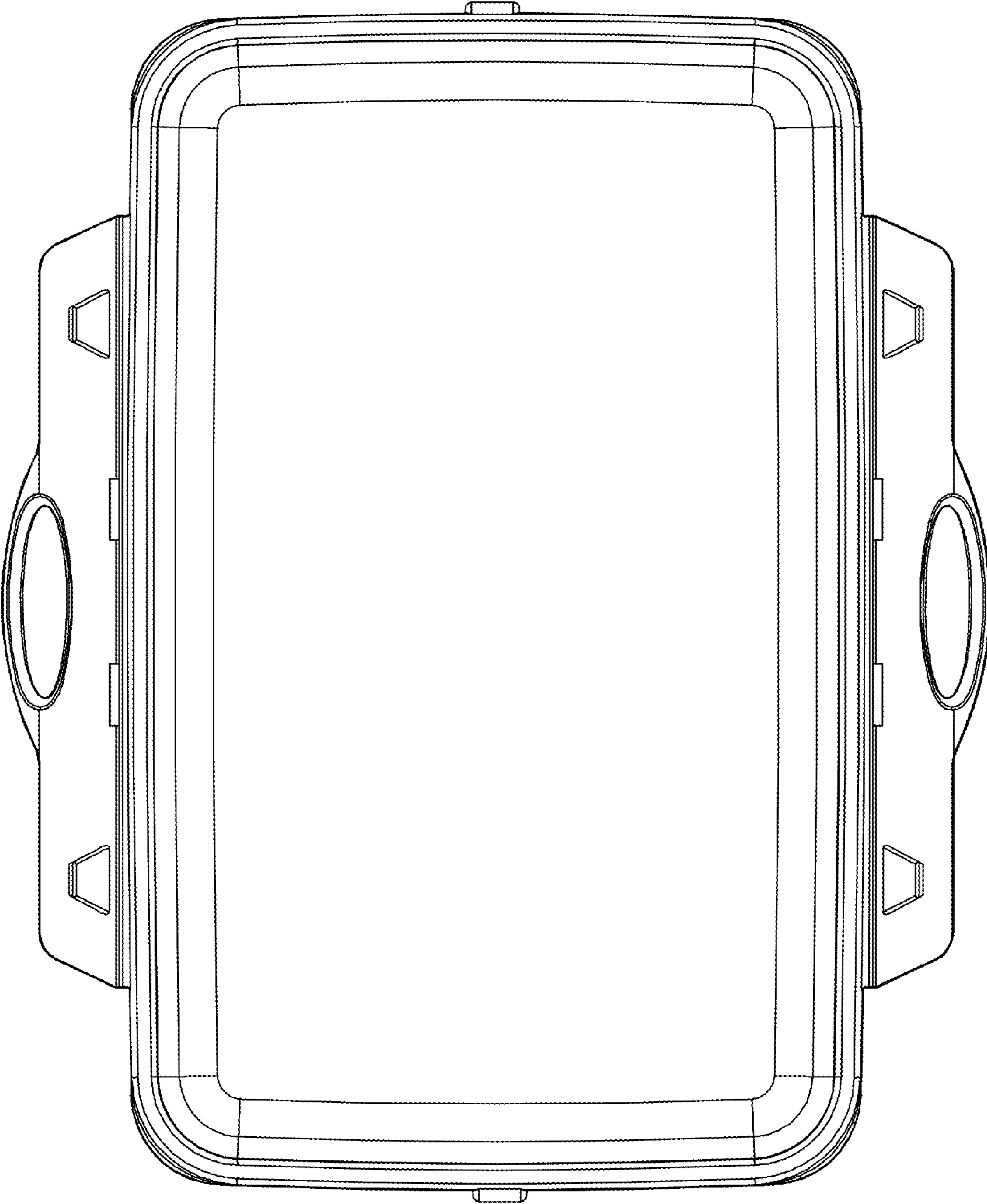


FIG. 16

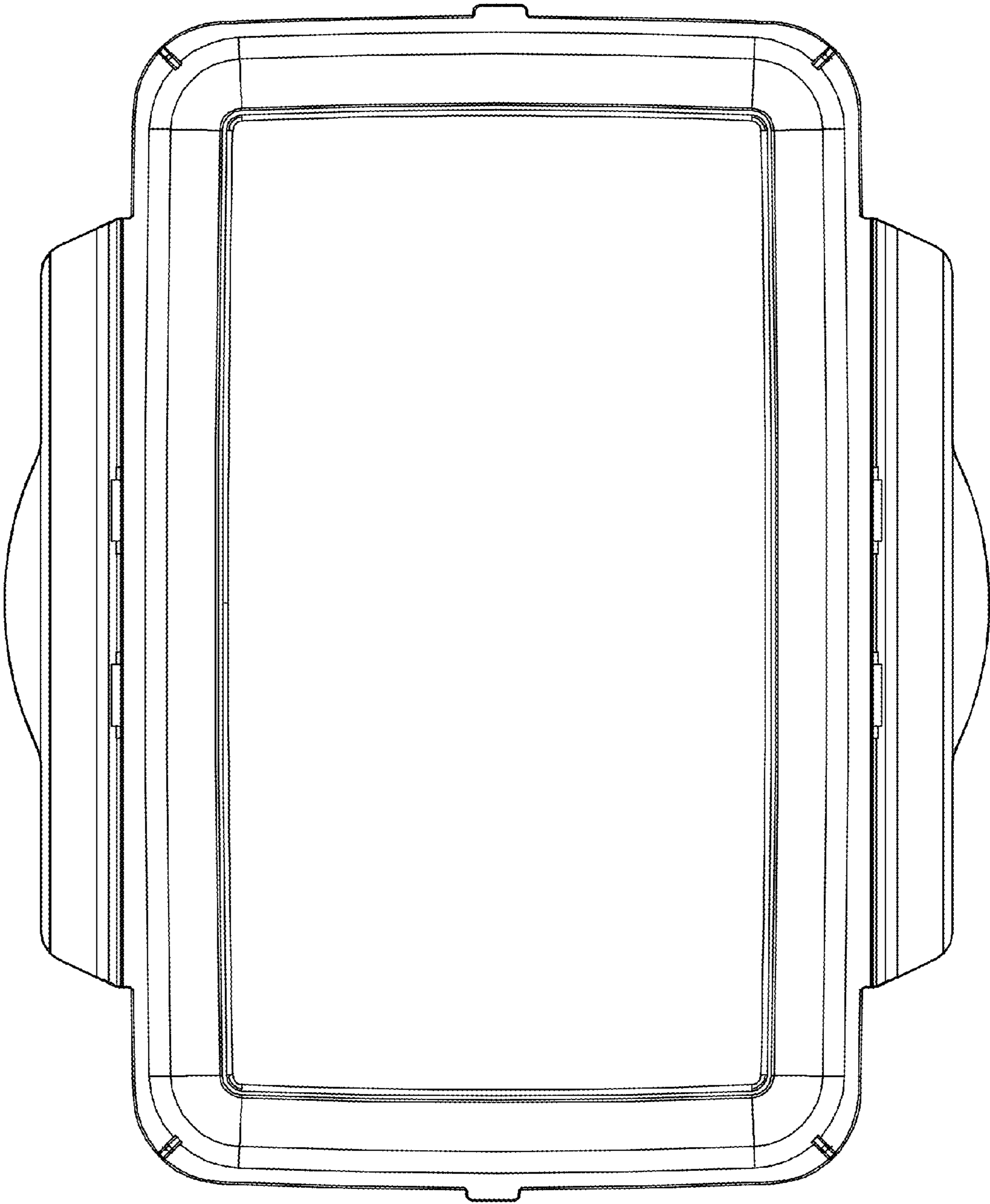


FIG. 17

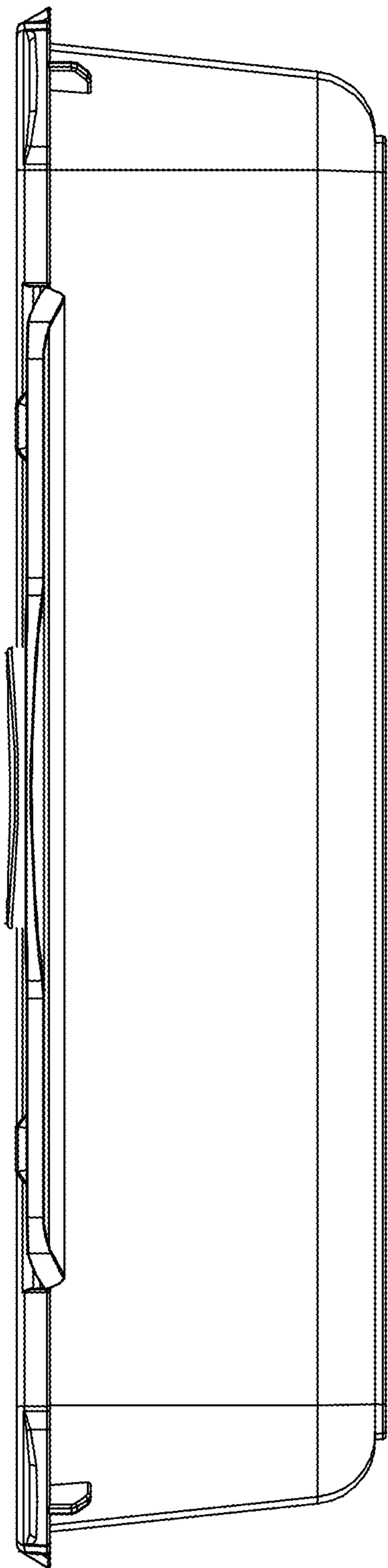


FIG. 18

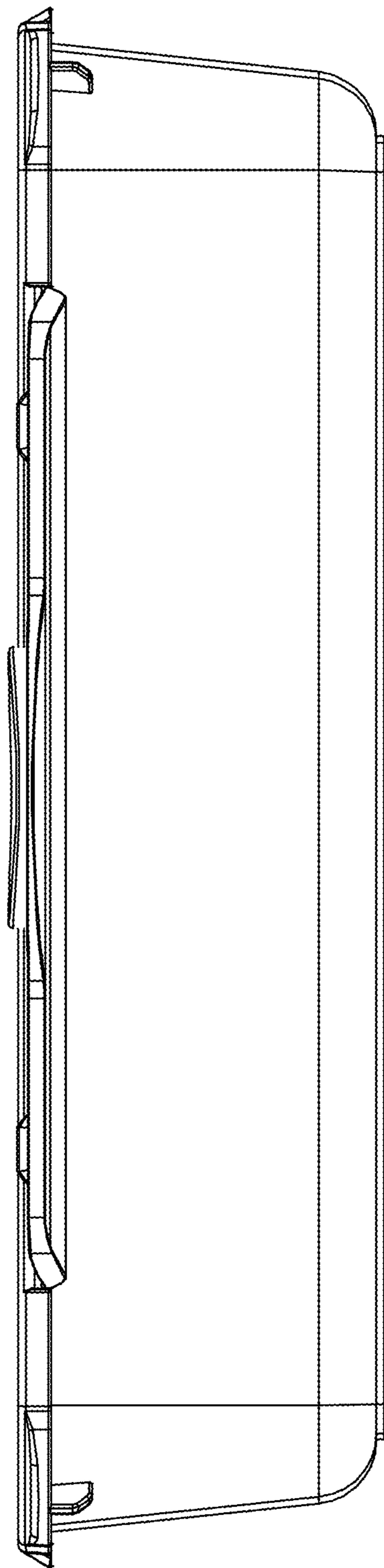


FIG. 19

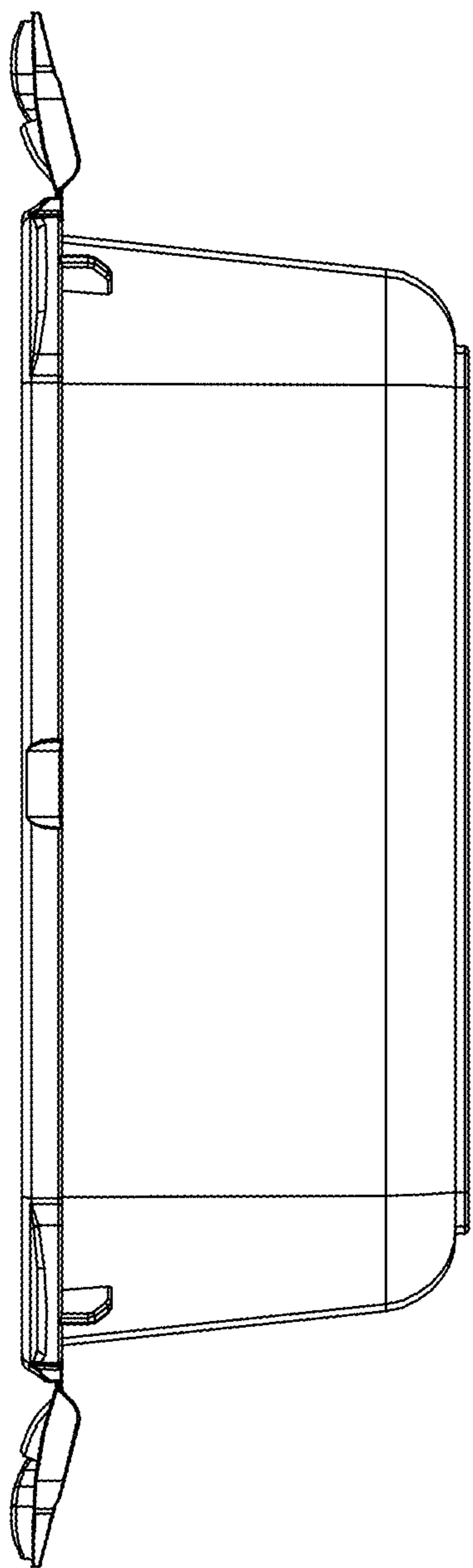


FIG. 20

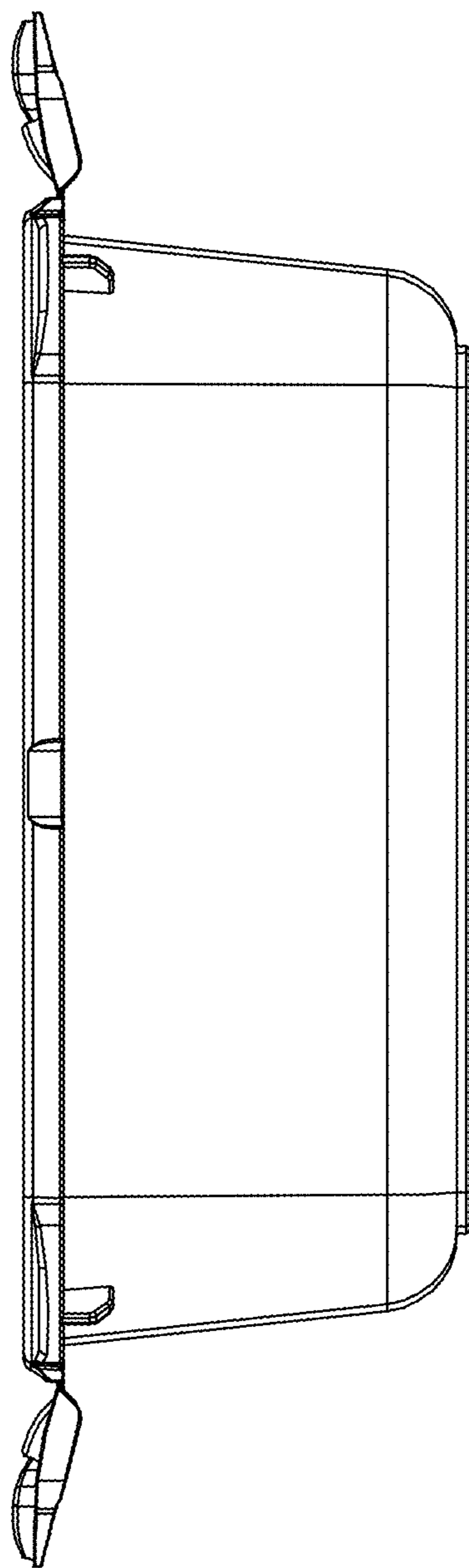


FIG. 21