



US00D730698S

(12) **United States Design Patent**
Wade

(10) **Patent No.:** **US D730,698 S**
(45) **Date of Patent:** **** Jun. 2, 2015**

(54) **WING DIPPING BOWL**

(71) Applicant: **Richard Jonathan Wade**, Salt Lake City, UT (US)

(72) Inventor: **Richard Jonathan Wade**, Salt Lake City, UT (US)

(**) Term: **14 Years**

(21) Appl. No.: **29/457,591**

(22) Filed: **Jun. 11, 2013**

(51) **LOC (10) Cl.** **07-01**

(52) **U.S. Cl.**
USPC **D7/551.1**

(58) **Field of Classification Search**
USPC D7/543, 545–546, 549, 550.1, 551.1, D7/553.1–553.8, 555, 558, 560, 571, D7/584–588, 601–602, 610–614, 360, D7/554.1–554.4, 564–565, 354; 220/574–575; D9/737
CPC A47G 19/02–19/08; A47G 21/14; A47G 21/145
See application file for complete search history.

(56) **References Cited**

U.S. PATENT DOCUMENTS

2,023,470	A *	12/1935	Hart	220/574
D298,898	S *	12/1988	Roshau	D7/550.1
4,966,297	A *	10/1990	Doty	D7/543
5,443,174	A *	8/1995	Bauer	220/574.1
D370,157	S *	5/1996	Chen	D7/543
5,676,275	A *	10/1997	Khattar	220/575
D423,276	S *	4/2000	McDonald et al.	D7/354
D501,760	S *	2/2005	Bukowski	D7/550.1
D519,787	S *	5/2006	Kilders	D7/549
D610,406	S *	2/2010	Rauckman	D7/550.1
D663,167	S *	7/2012	Gober	D7/551.1
D688,525	S *	8/2013	Gober	D7/551.1
8,616,402	B2 *	12/2013	Andrews	220/575

* cited by examiner

Primary Examiner — Susan Bennett Hattan

Assistant Examiner — Brett Miller

(74) *Attorney, Agent, or Firm* — Workman Nydegger

(57) **CLAIM**

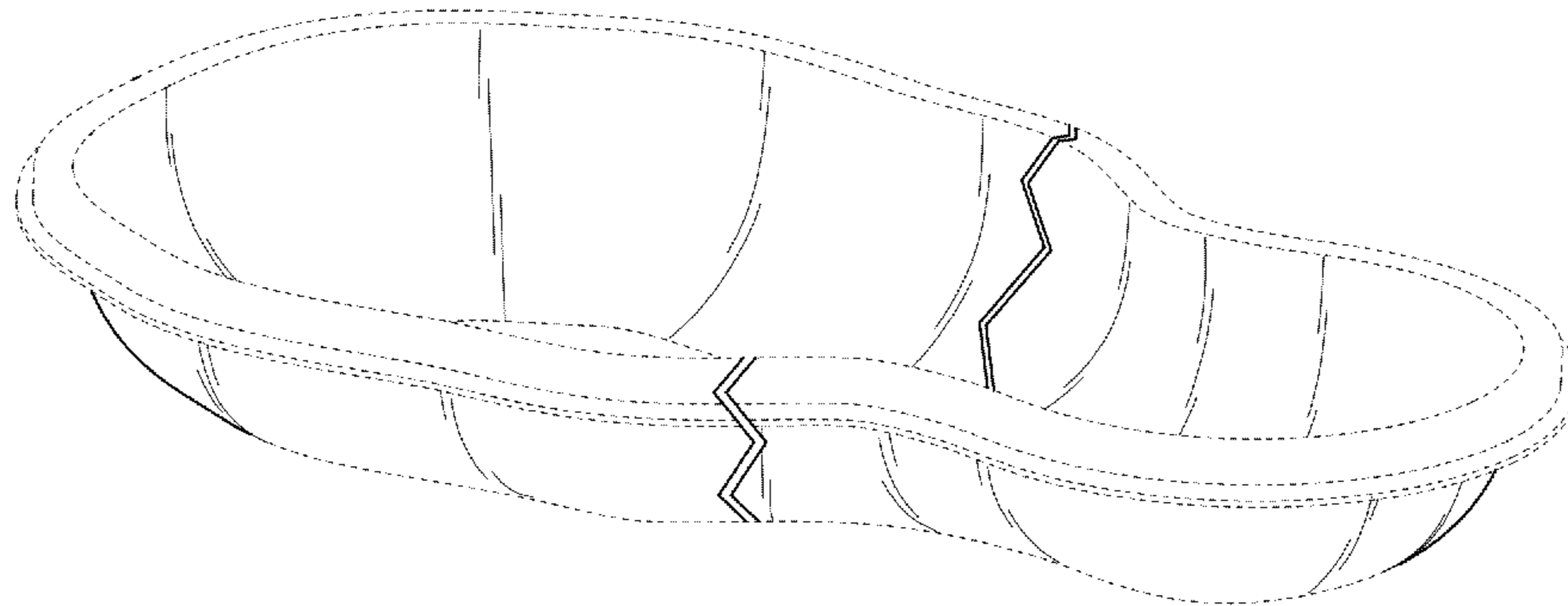
The ornamental design for a wing dipping bowl, as shown and described.

DESCRIPTION

FIG. 1 is a front perspective view of a wing dipping bowl set inside a block holder in accordance with one implementation; FIG. 2 is a front, right perspective view thereof; FIG. 3 is a back, left perspective view thereof; FIG. 4 is a top plan view thereof; FIG. 5 is a front elevational view thereof; FIG. 6 is a back elevational view thereof; FIG. 7 is a right elevational view thereof; FIG. 8 is a left elevational view thereof; FIG. 9 is a bottom plan view thereof; FIG. 10 is a front perspective view of a wing dipping bowl set inside a block holder in accordance with another implementation; FIG. 11 is a front, right perspective view thereof; FIG. 12 is a back, left perspective view thereof; FIG. 13 is a top plan view thereof; FIG. 14 is a front elevational view thereof; FIG. 15 is a back elevational view thereof; FIG. 16 is a right elevational view thereof; FIG. 17 is a left elevational view thereof; and, FIG. 18 is a bottom plan view thereof.

The broken lines, including the broken lines showing environment in the drawings, are included for illustrative purposes only and form no part of the claimed design. The appearance of any portion of the bowl between the break lines in the figures forms no part of the claimed design.

1 Claim, 8 Drawing Sheets



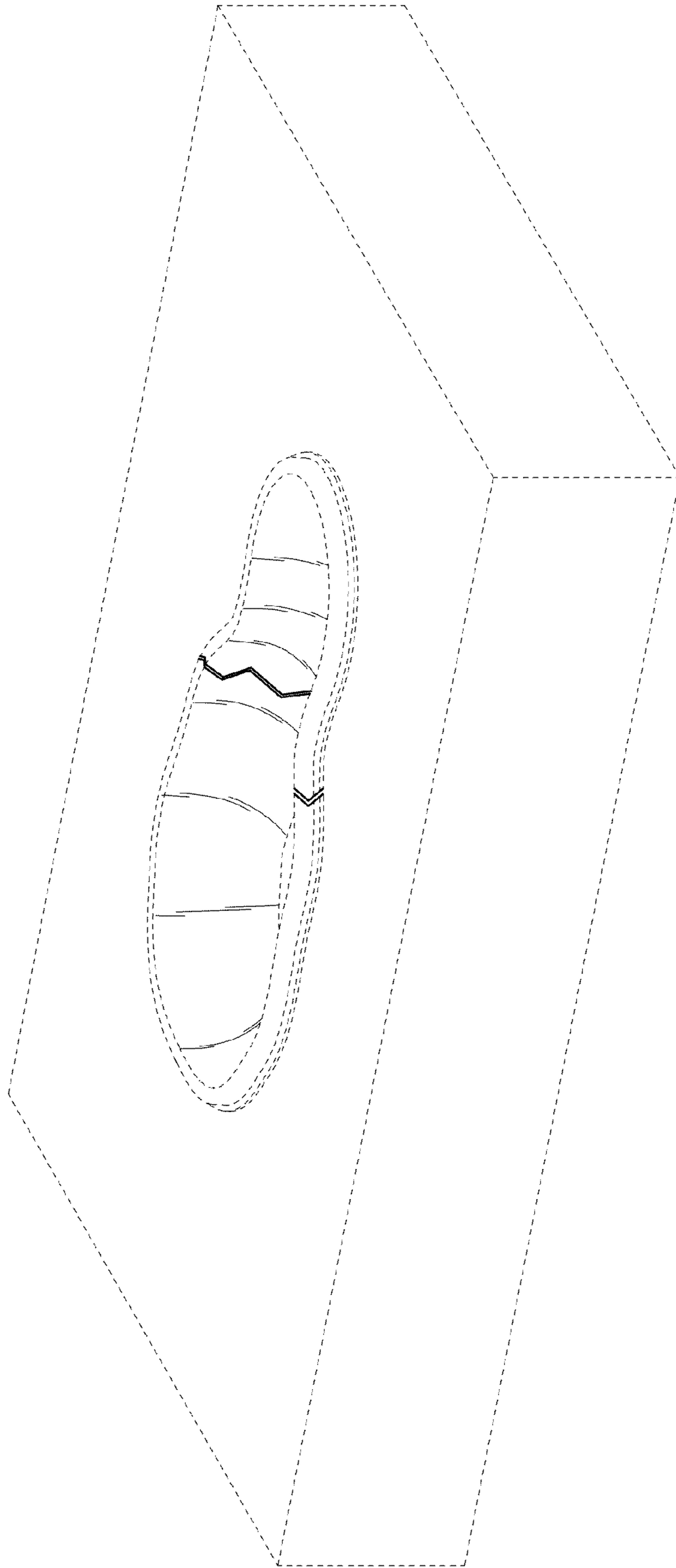


FIG. 1

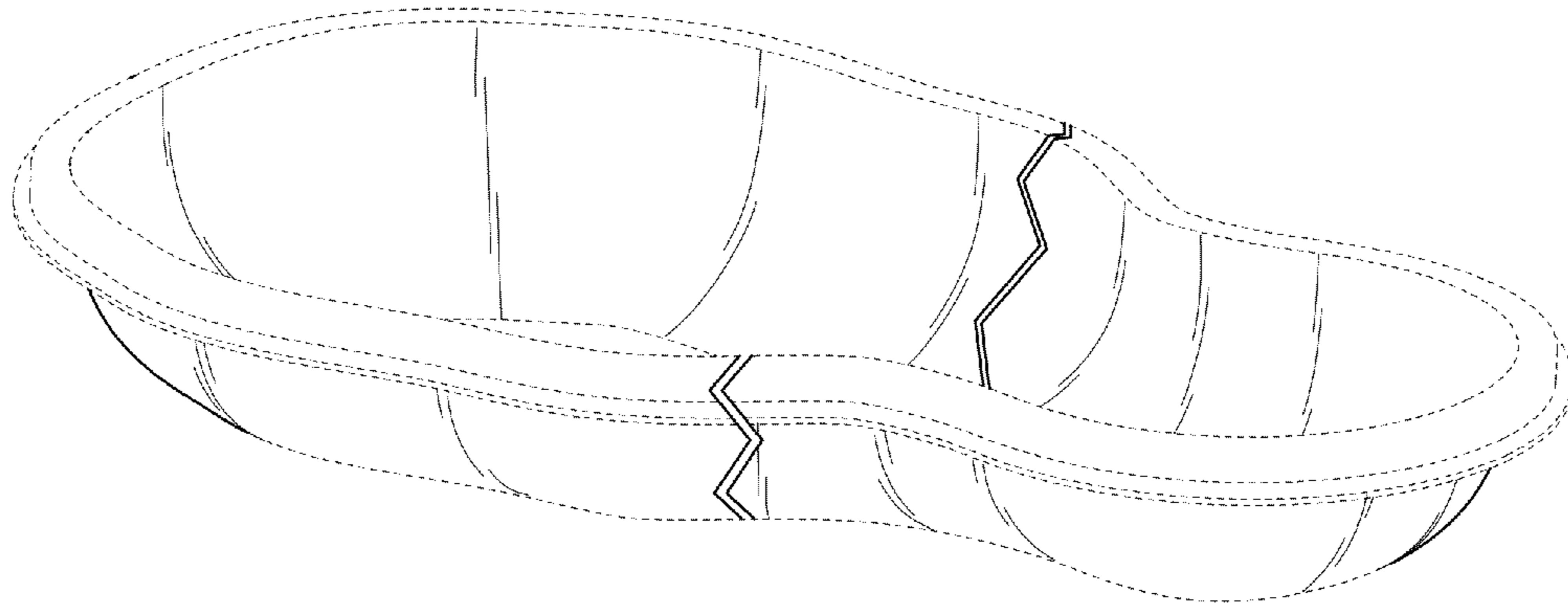


FIG. 2

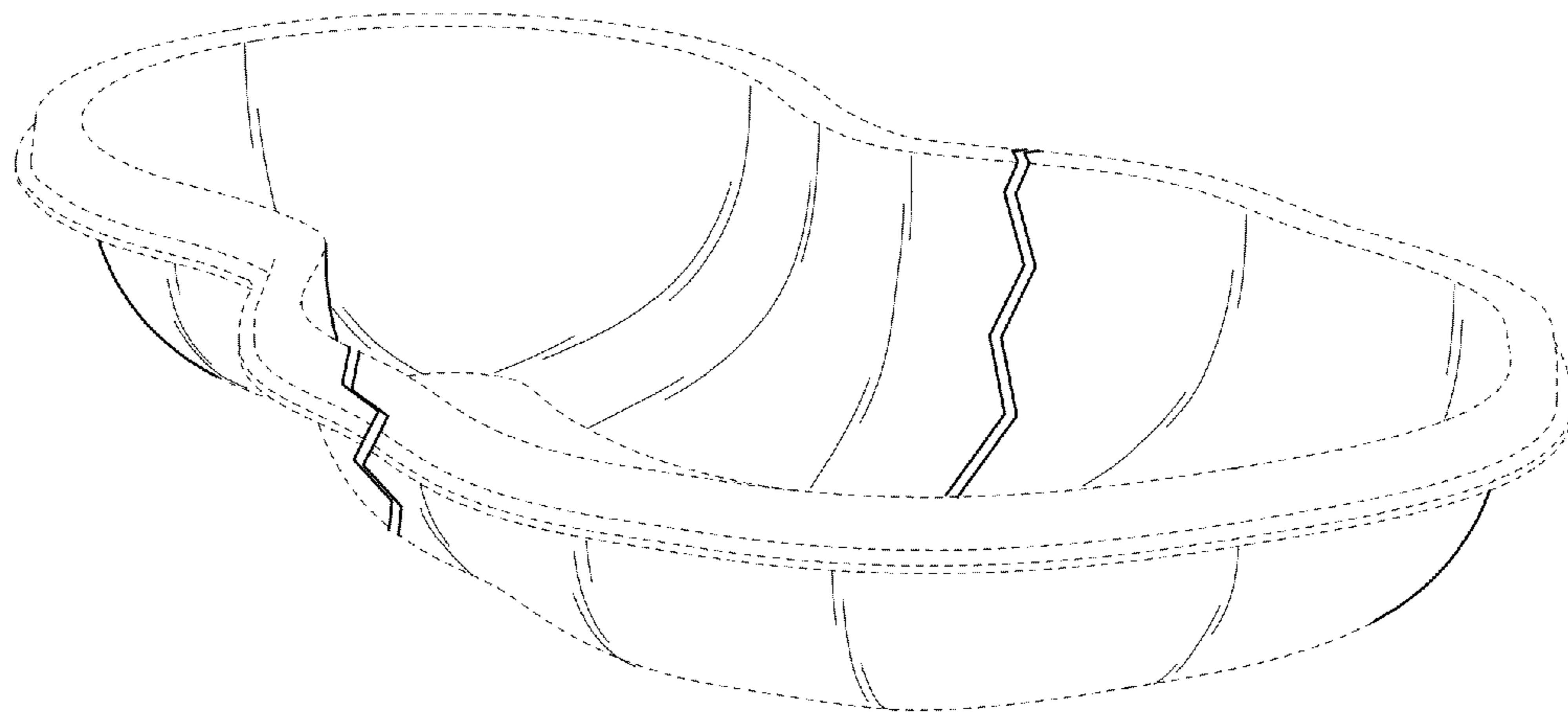


FIG. 3

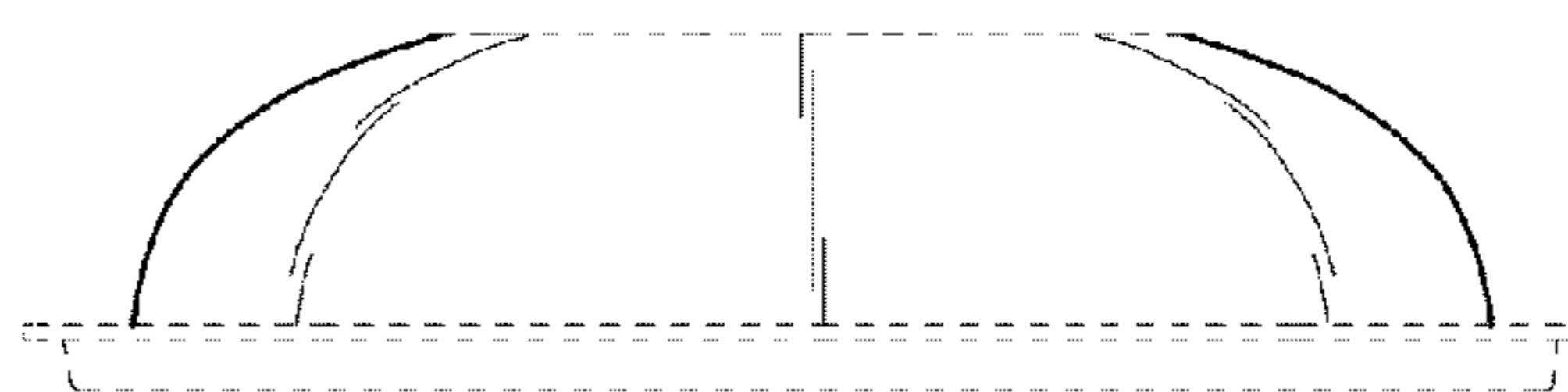


FIG. 8

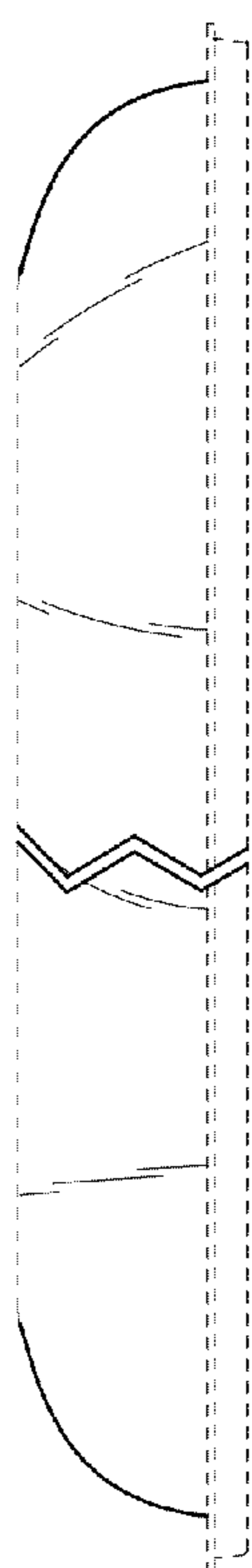


FIG. 5

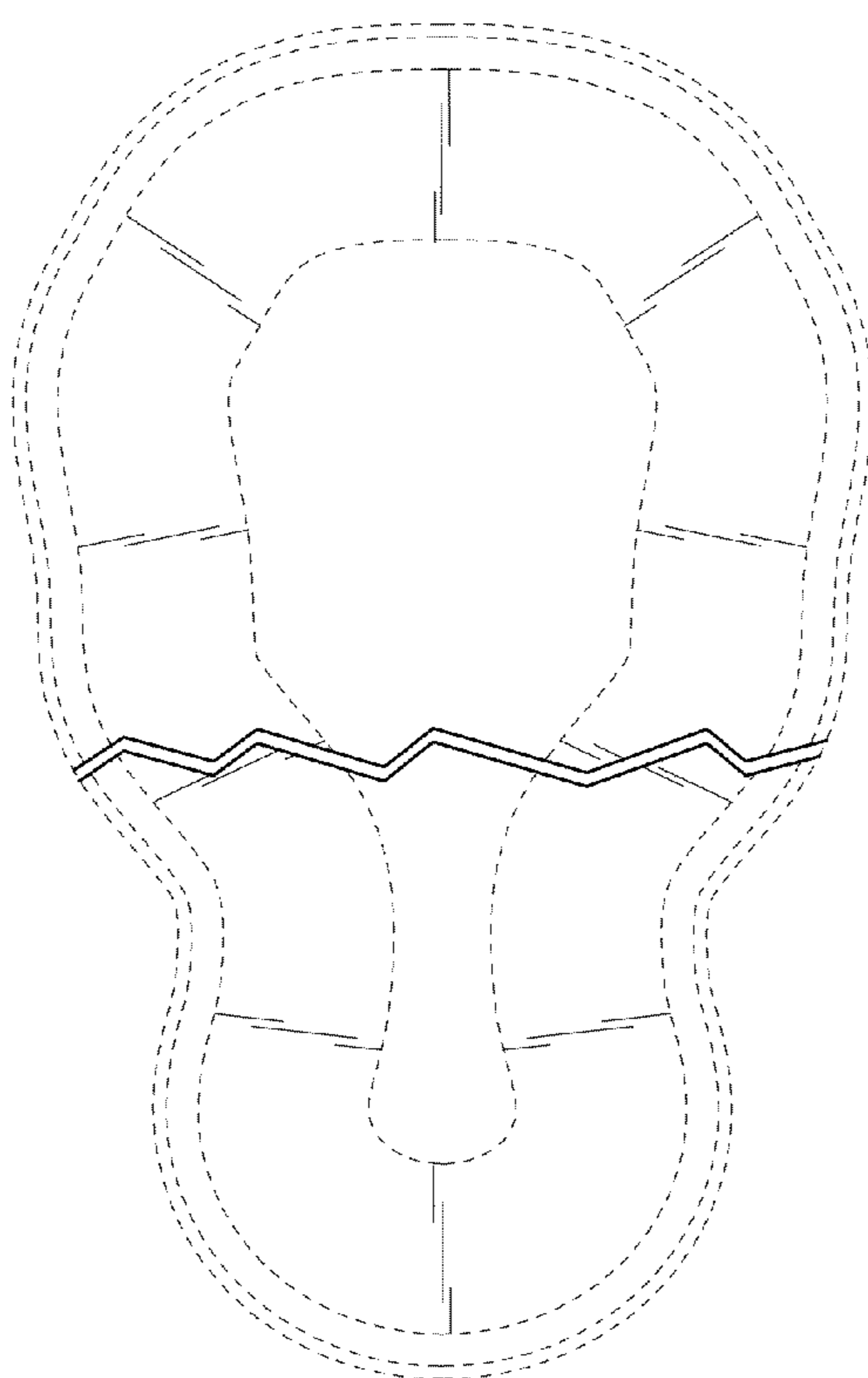


FIG. 4

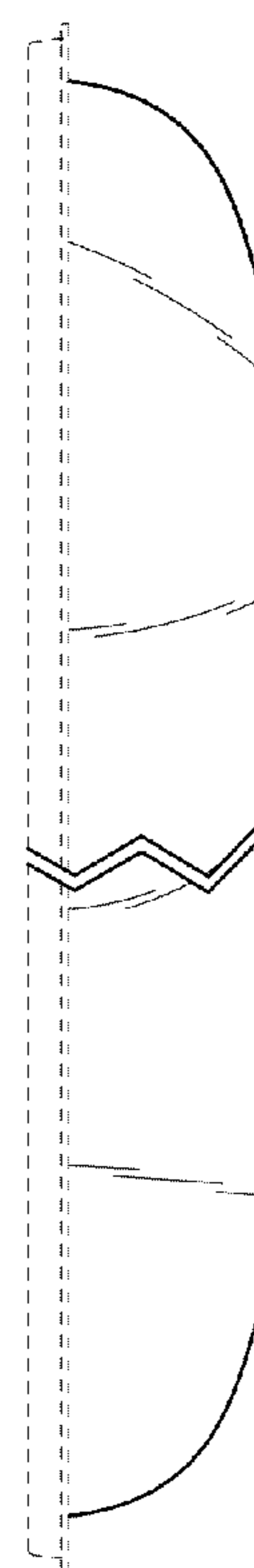


FIG. 6

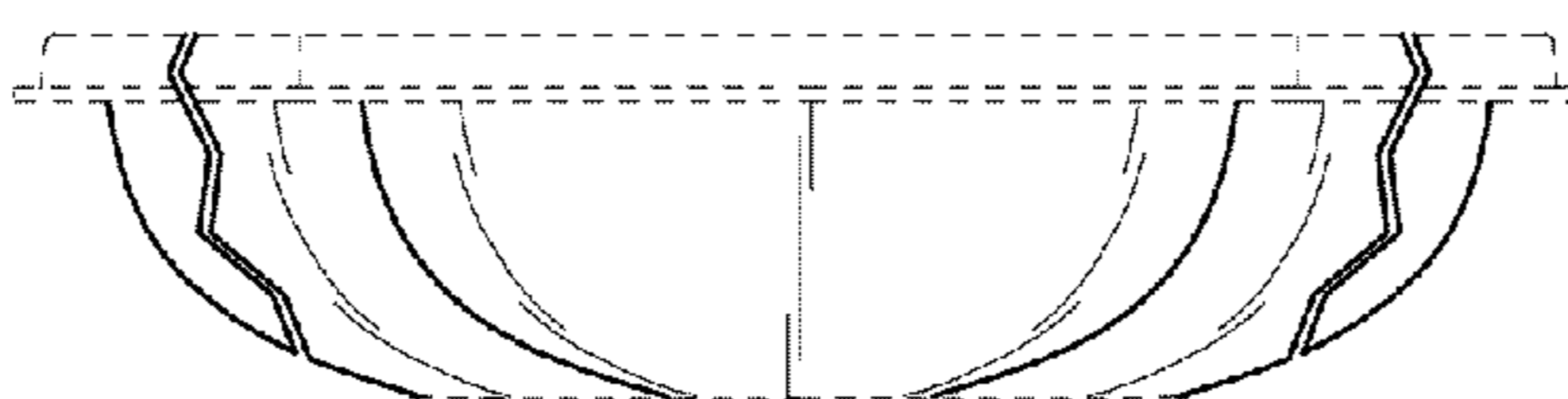


FIG. 7

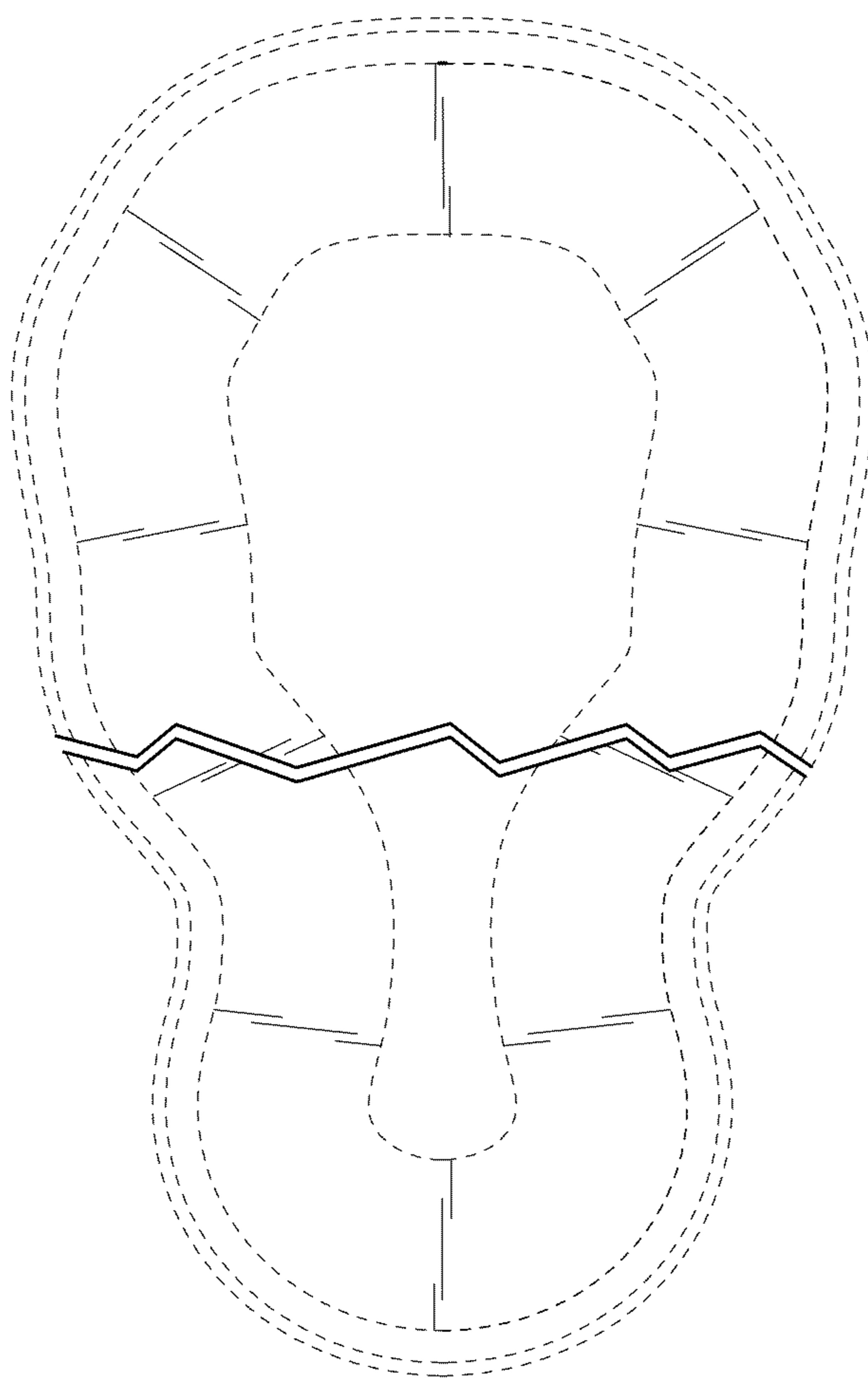


FIG. 9

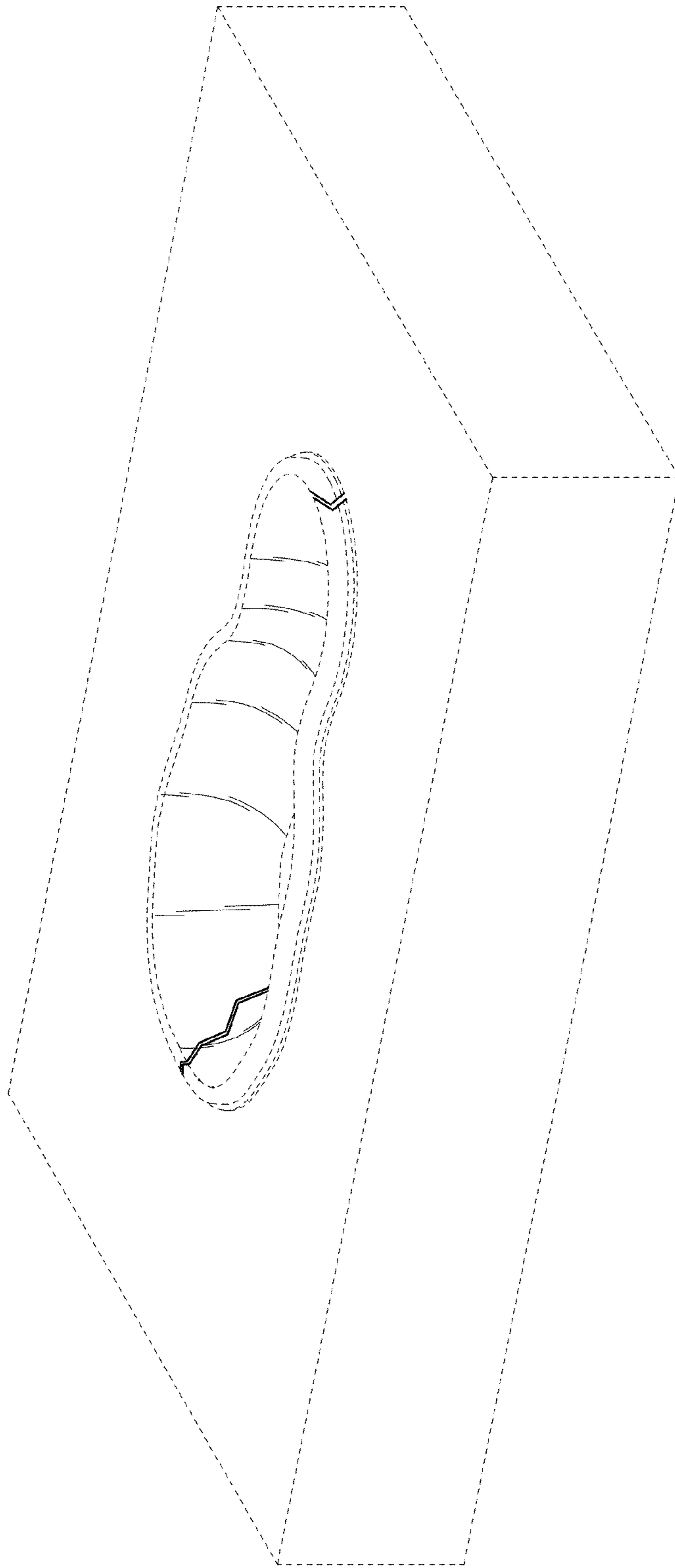


FIG. 10

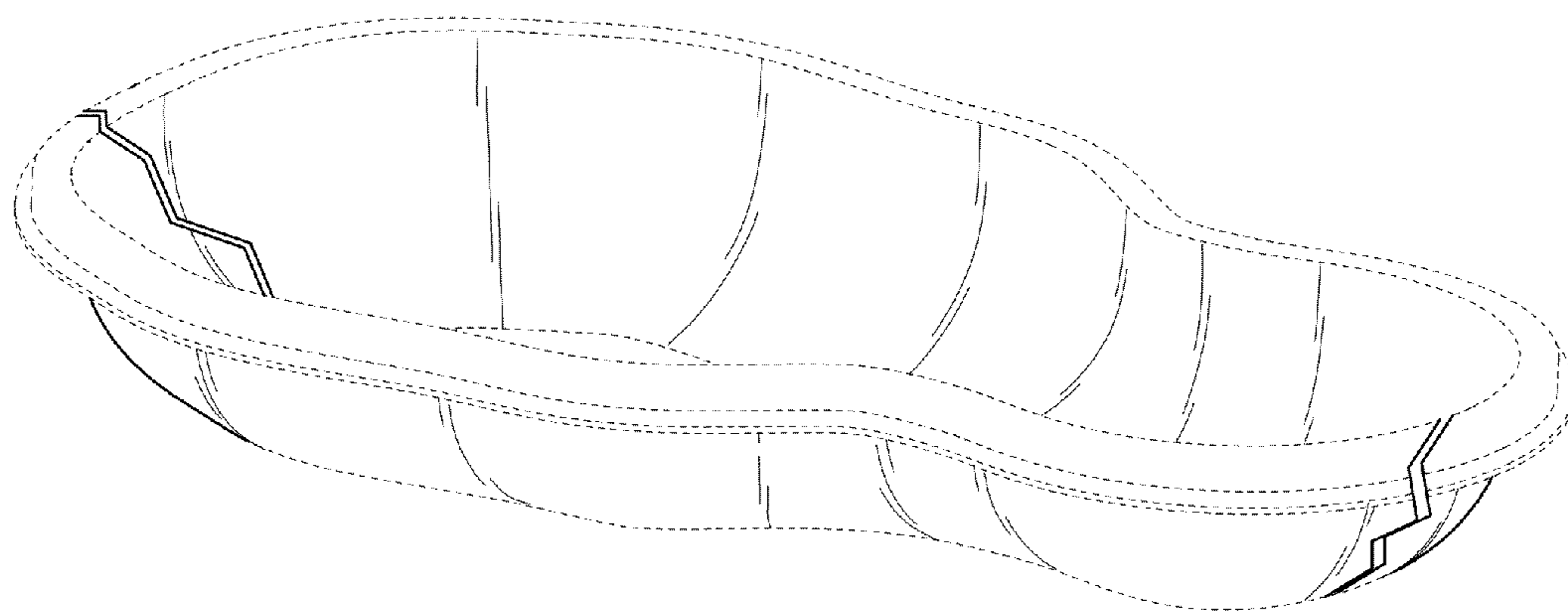


FIG. 11

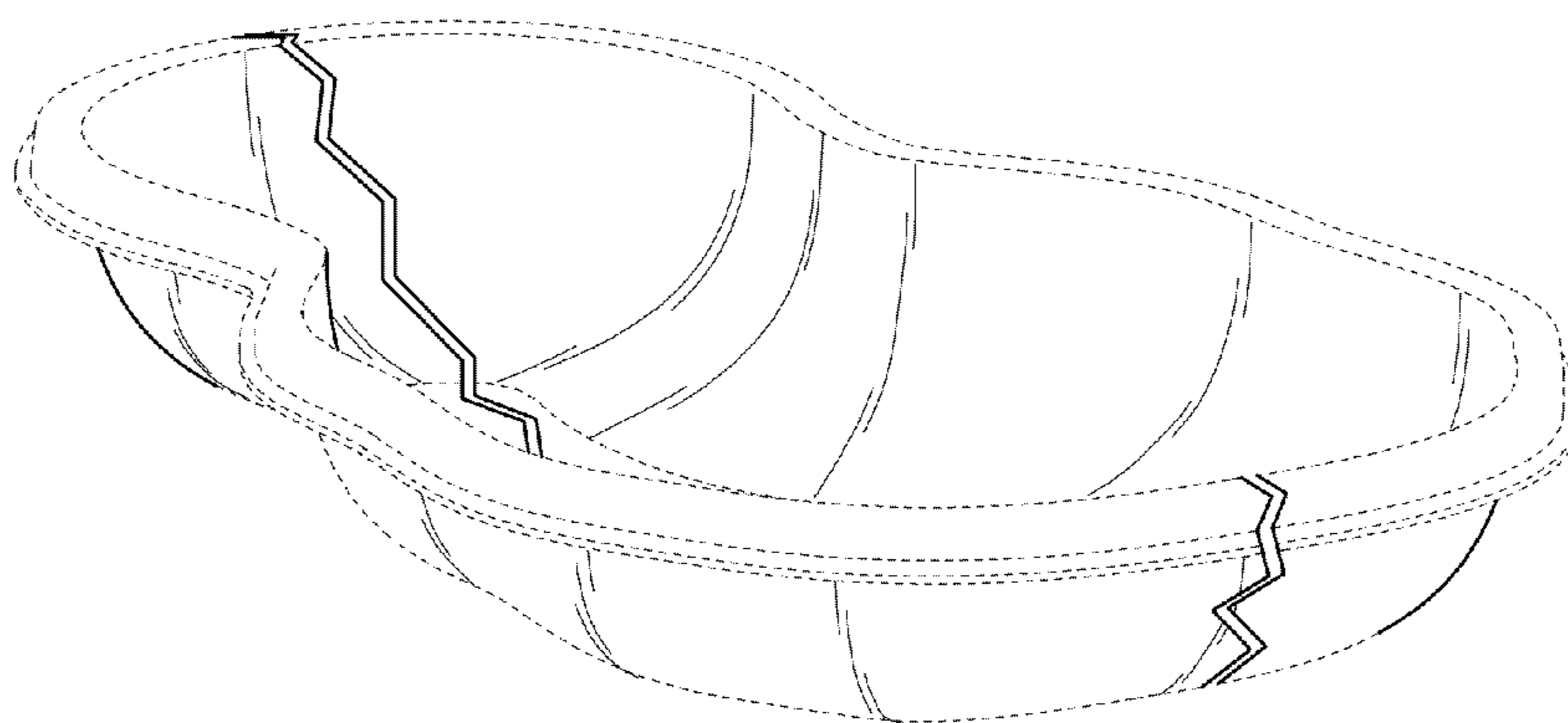


FIG. 12

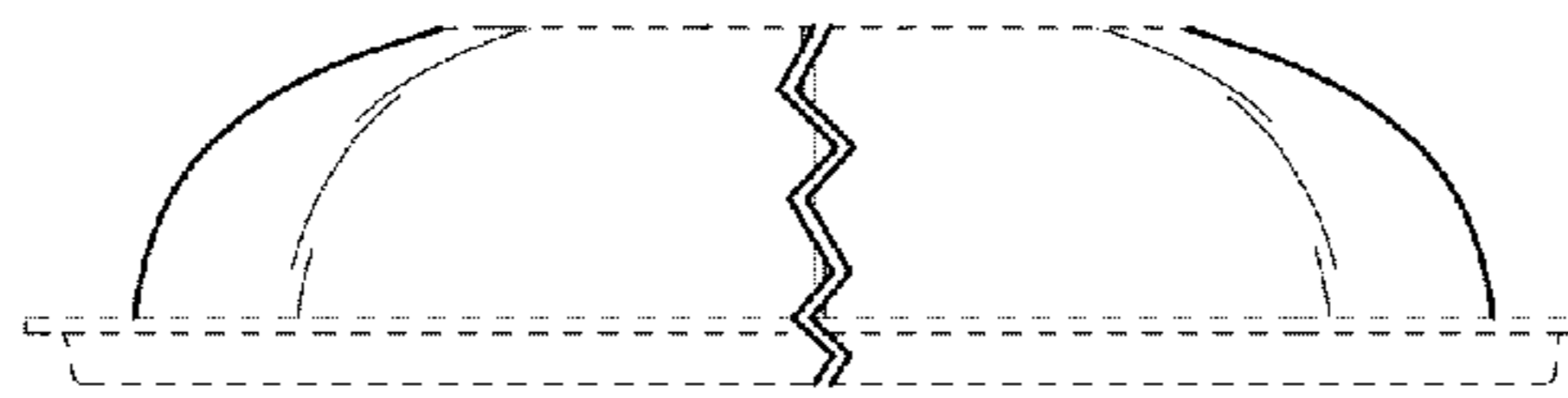


FIG. 17

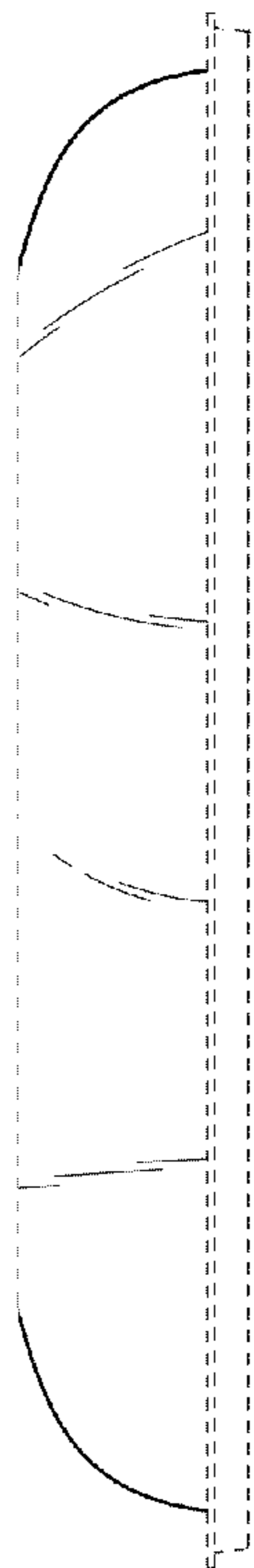


FIG. 14

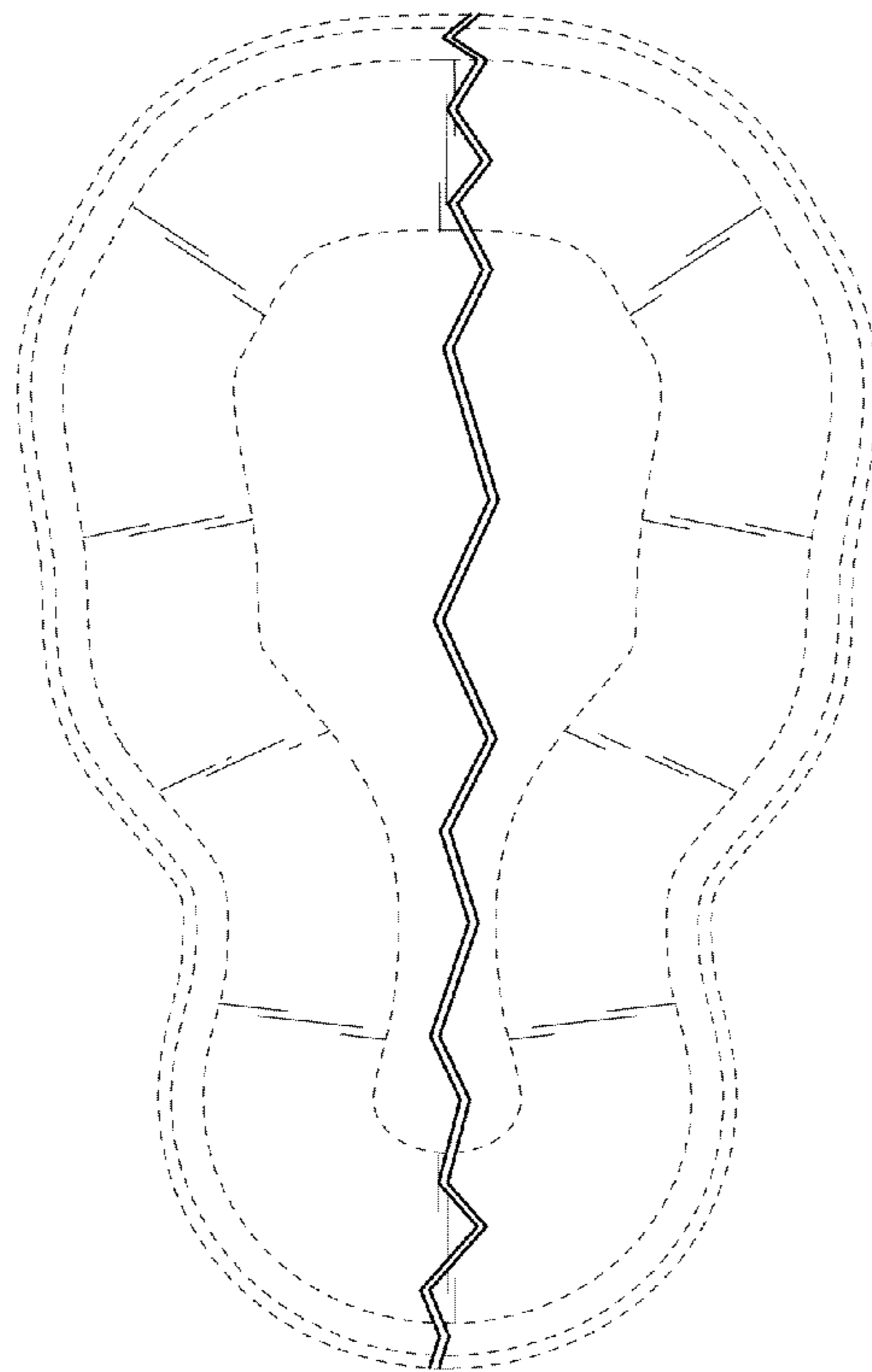


FIG. 13

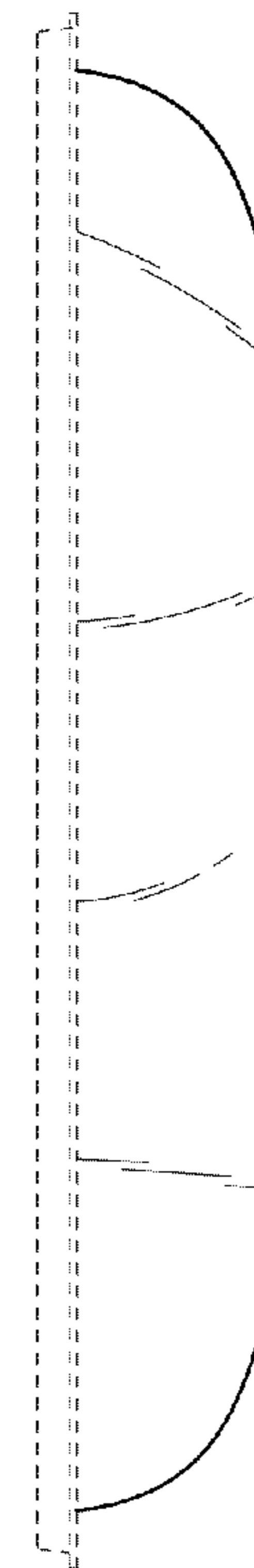


FIG. 15

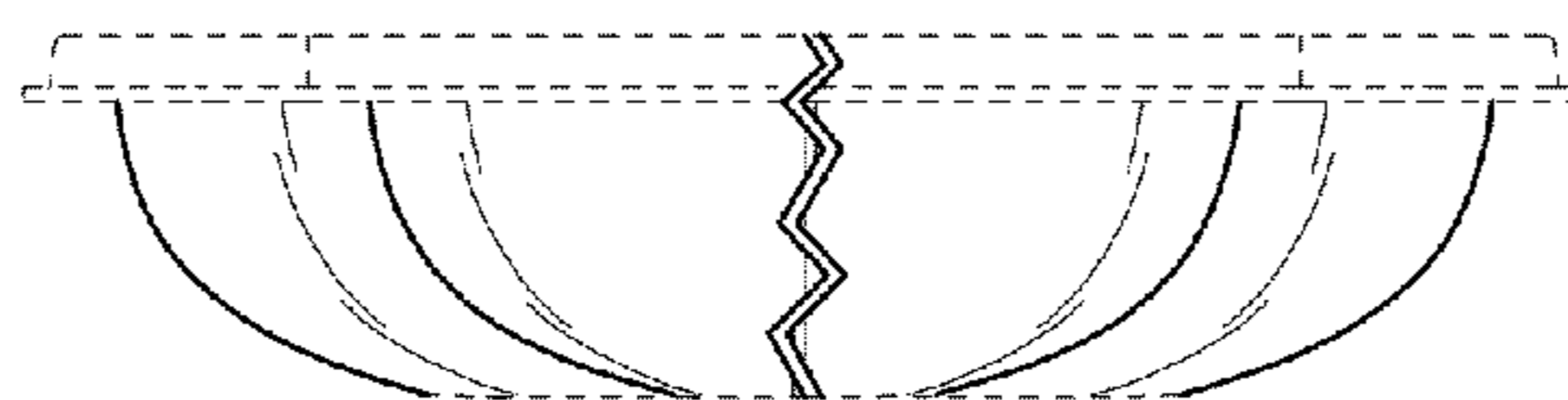


FIG. 16

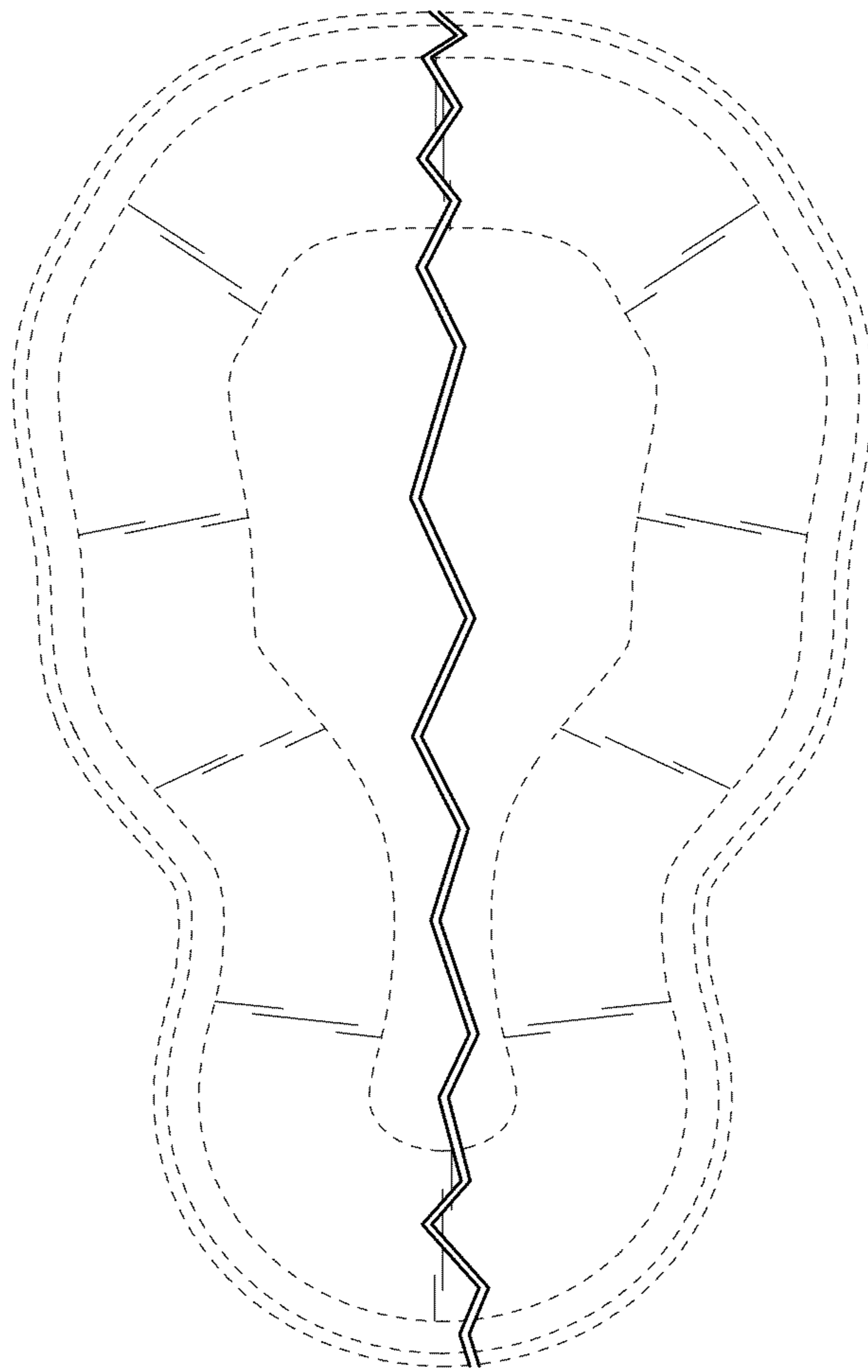


FIG. 18