



US00D730696S

(12) **United States Design Patent**
Nemeth et al.

(10) **Patent No.:** **US D730,696 S**
(45) **Date of Patent:** **** Jun. 2, 2015**

(54) **BEVERAGE MUG**

- (71) Applicant: **RUBBERMAID INCORPORATED**,
Atlanta, GA (US)
- (72) Inventors: **Christopher P. Nemeth**, Atlanta, GA
(US); **Gunnar B. Olson**, Smyrna, GA
(US); **Brandon L. Stroud**, Smyrna, GA
(US); **Jamison Corey Harris**,
Kennesaw, GA (US)
- (73) Assignee: **RUBBERMAID INCORPORATED**,
Huntersville, NC (US)

(**) Term: **14 Years**

(21) Appl. No.: **29/482,657**

(22) Filed: **Feb. 20, 2014**

(51) **LOC (10) Cl.** **07-01**

(52) **U.S. Cl.**
USPC **D7/523**

(58) **Field of Classification Search**
USPC D7/300, 500, 509, 513, 523, 528, 532,
D7/543, 562, 584, 601, 602, 605, 608,
D7/619.1, 637, 640, 701, 703; D9/500,
D9/502, 530, 549, 738, 756; D11/154;
215/12.1; 220/592.16, 592.17, 592.2,
220/669

See application file for complete search history.

(56) **References Cited**

U.S. PATENT DOCUMENTS

D242,127 S	*	11/1976	Bonnett	D34/39
D243,155 S	*	1/1977	Bonnett	D34/39
D249,466 S	*	9/1978	Parrish, Sr.	D34/39
D260,569 S	*	9/1981	Zilbert	D34/39
D387,619 S	*	12/1997	Gross et al.	D7/510
D481,951 S		11/2003	Scott, III		
D490,654 S		6/2004	Allen et al.		
D507,458 S		7/2005	Allen et al.		
D509,754 S		9/2005	Scott, III et al.		
D526,827 S		8/2006	Allen et al.		

(Continued)

OTHER PUBLICATIONS

Co-pending Design U.S. Appl. No. 29/482,659, filed Feb. 20, 2014.

Primary Examiner — Susan Bennett Hattan

Assistant Examiner — Leanne Was

(74) *Attorney, Agent, or Firm* — Marshall, Gerstein & Borun
LLP

(57) **CLAIM**

The ornamental design for a beverage mug, as shown and described.

DESCRIPTION

This application is filed concurrently with U.S. Design application Ser. No. 29/482,659, and entitled "Beverage Tumbler," which is incorporated herein by reference in its entirety.

FIG. 1 is a perspective view of a beverage mug showing one embodiment of our new design.

FIG. 2 is an elevational view of a side thereof—the opposite side being a mirror image thereof.

FIG. 3 is an elevational view of a front thereof.

FIG. 4 is an elevational view of a back thereof.

FIG. 5 is a top view thereof.

FIG. 6 is a bottom view thereof.

FIG. 7 is an alternative side view of the beverage mug, showing a lid thereon in broken line.

FIG. 8 is a perspective view of a beverage mug showing another embodiment of our new design.

FIG. 9 is an elevational view of a side thereof—the opposite side being a mirror image thereof.

FIG. 10 is an elevational view of a front thereof.

FIG. 11 is an elevational view of a back thereof.

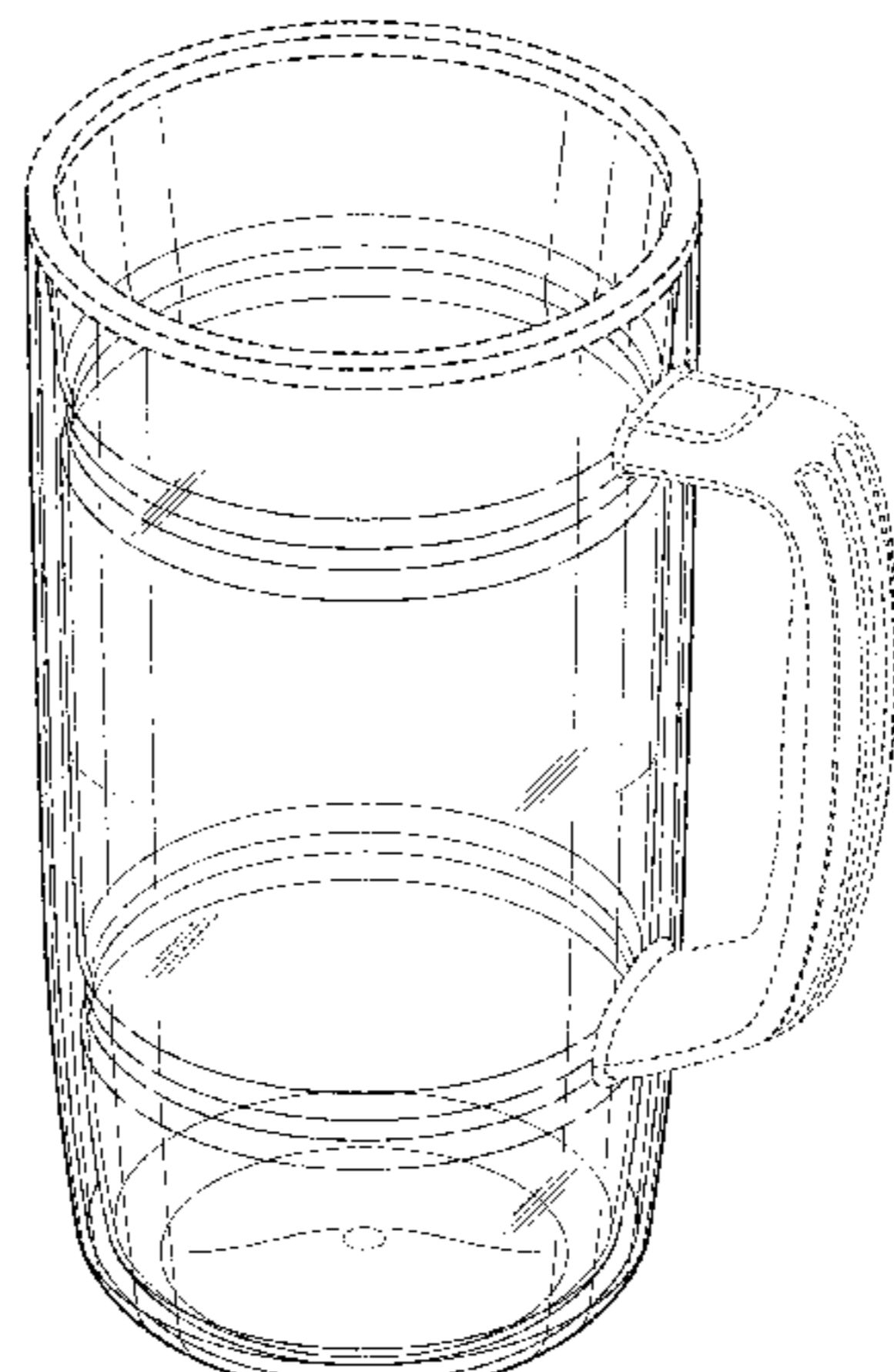
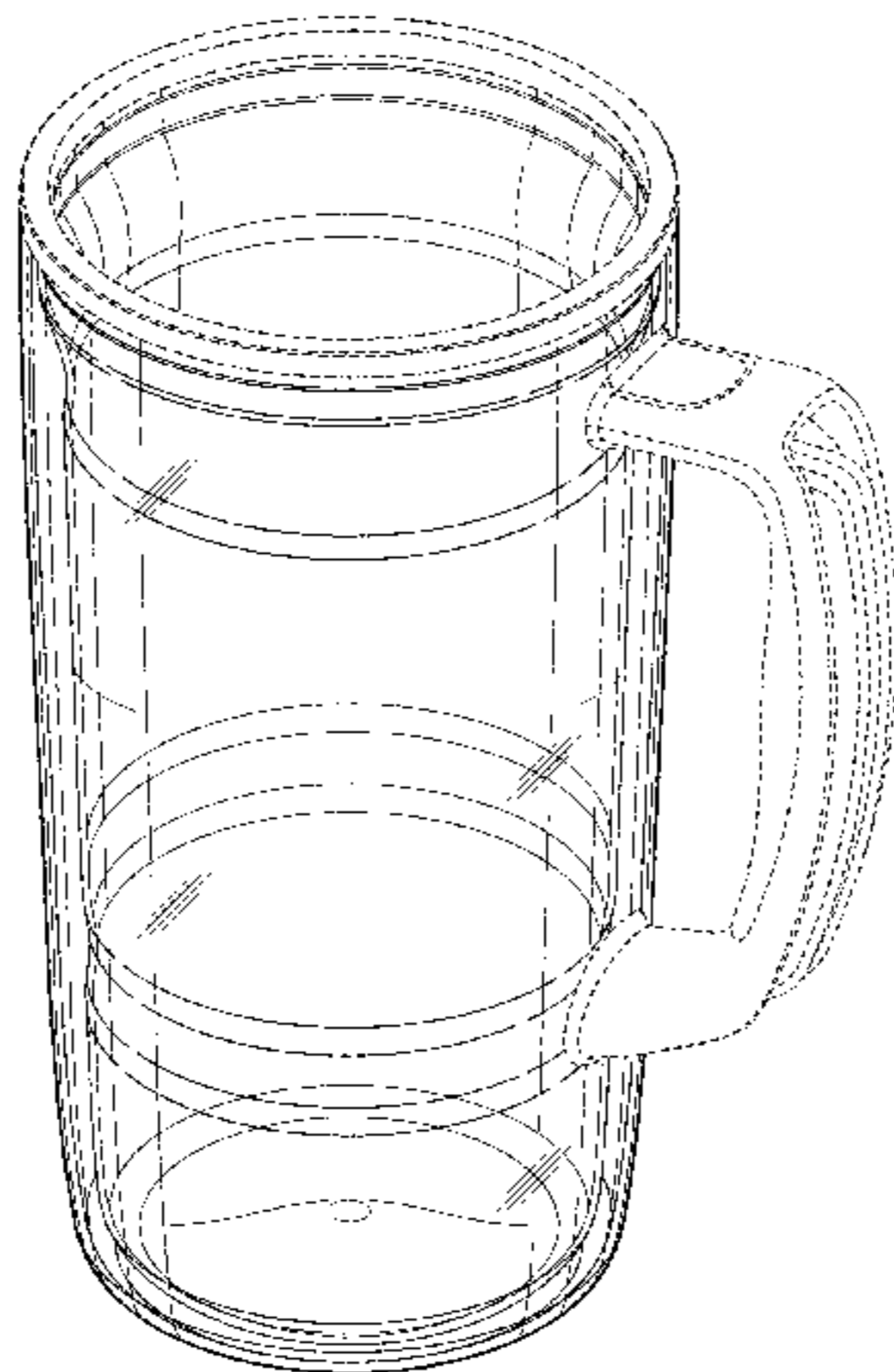
FIG. 12 is a top view thereof.

FIG. 13 is a bottom view thereof; and,

FIG. 14 is an alternative side view of the beverage mug, showing a lid thereon in broken line.

The broken lines showing in FIGS. 1-14 depict environmental subject matter only and form no part of the claimed design.

1 Claim, 12 Drawing Sheets



(56)

References Cited

U.S. PATENT DOCUMENTS

D529,749 S 10/2006 Allen et al.

D534,396 S * 1/2007 Kramer D7/532

D535,524 S * 1/2007 Kramer D7/533

D551,895 S 10/2007 Allen et al.

D657,246 S 4/2012 Nemeth et al.

D657,247 S 4/2012 Nemeth et al.

D669,737 S 10/2012 Nemeth et al.

* cited by examiner

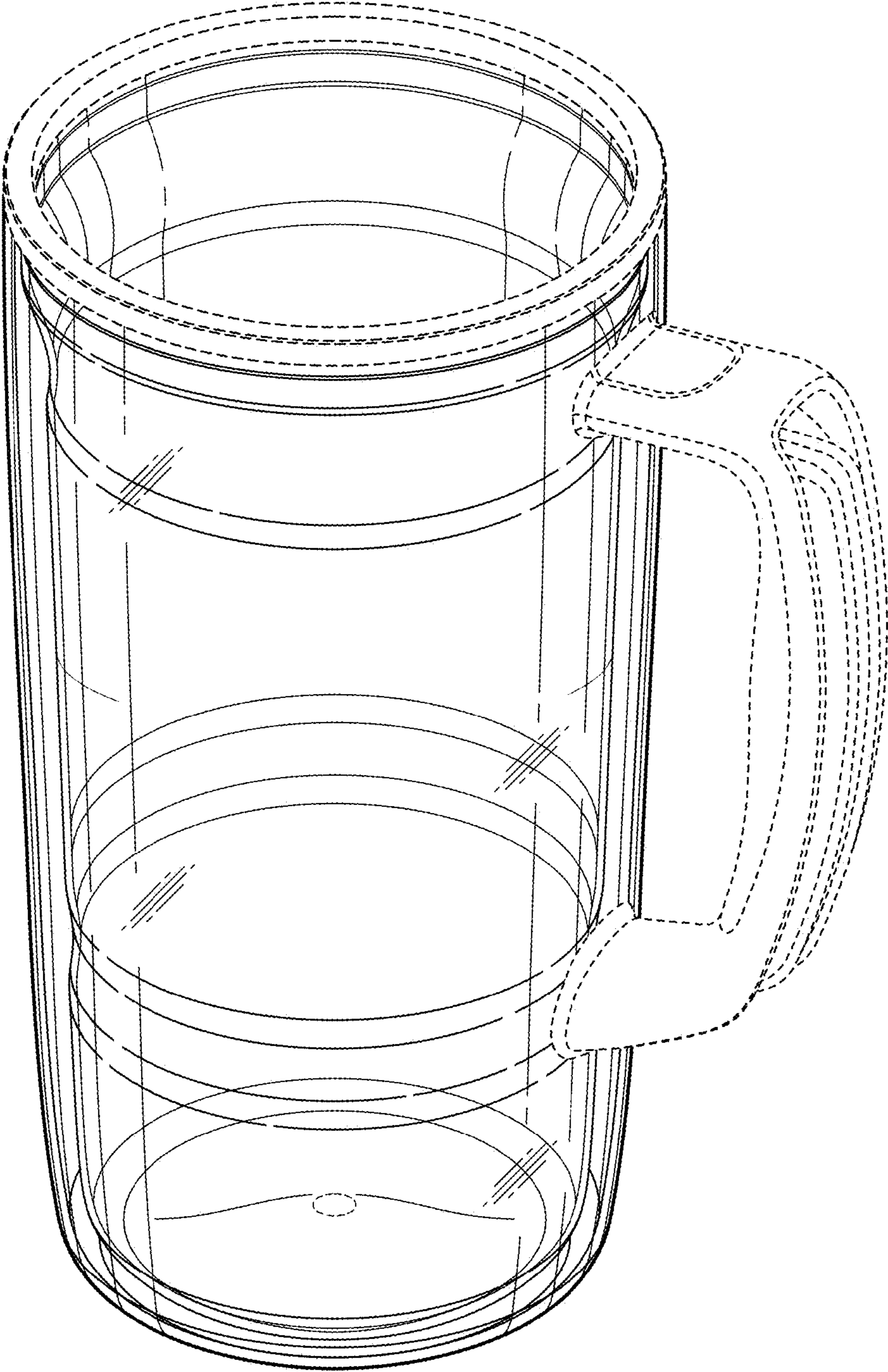


FIG. 1

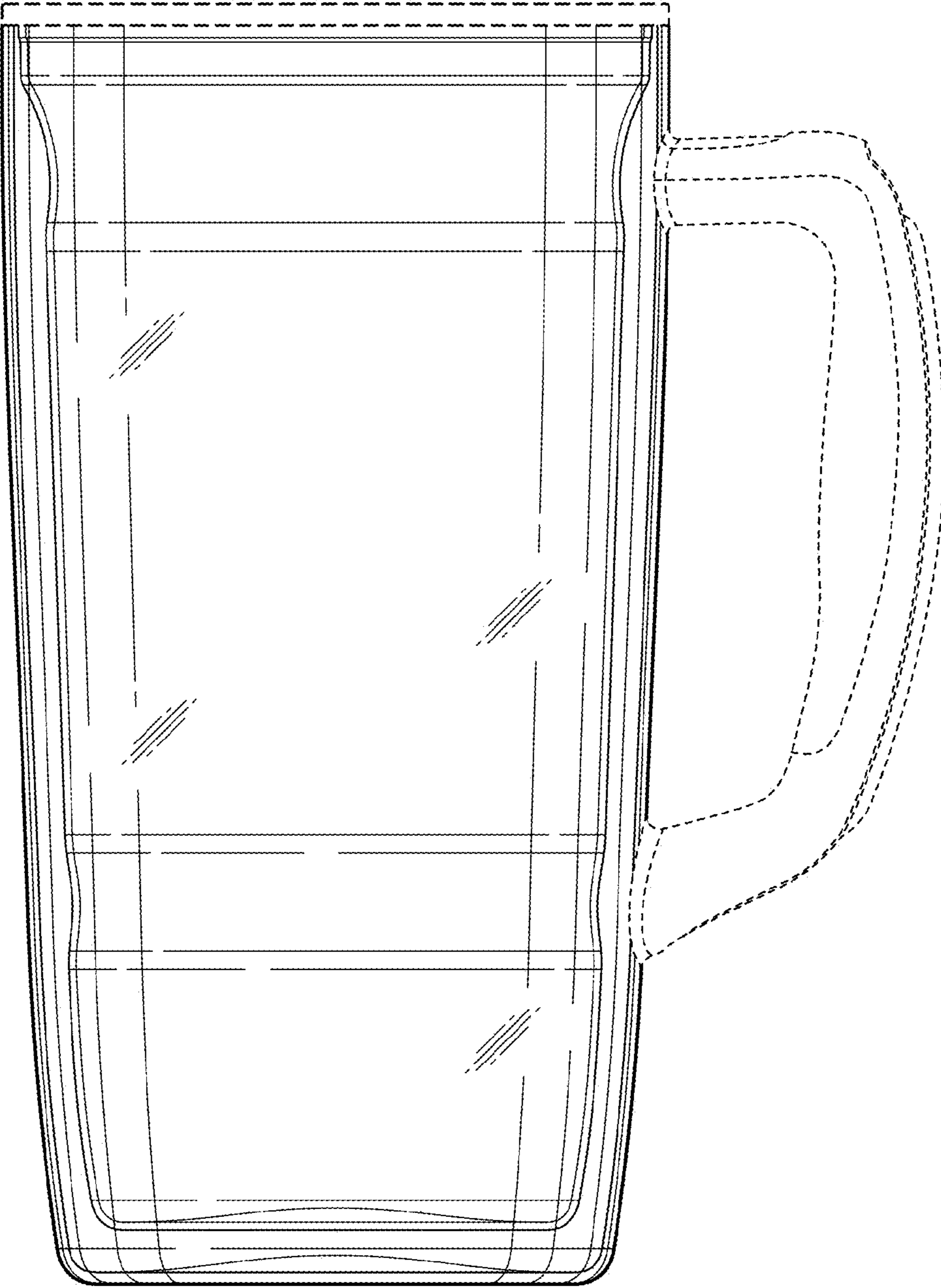


FIG. 2

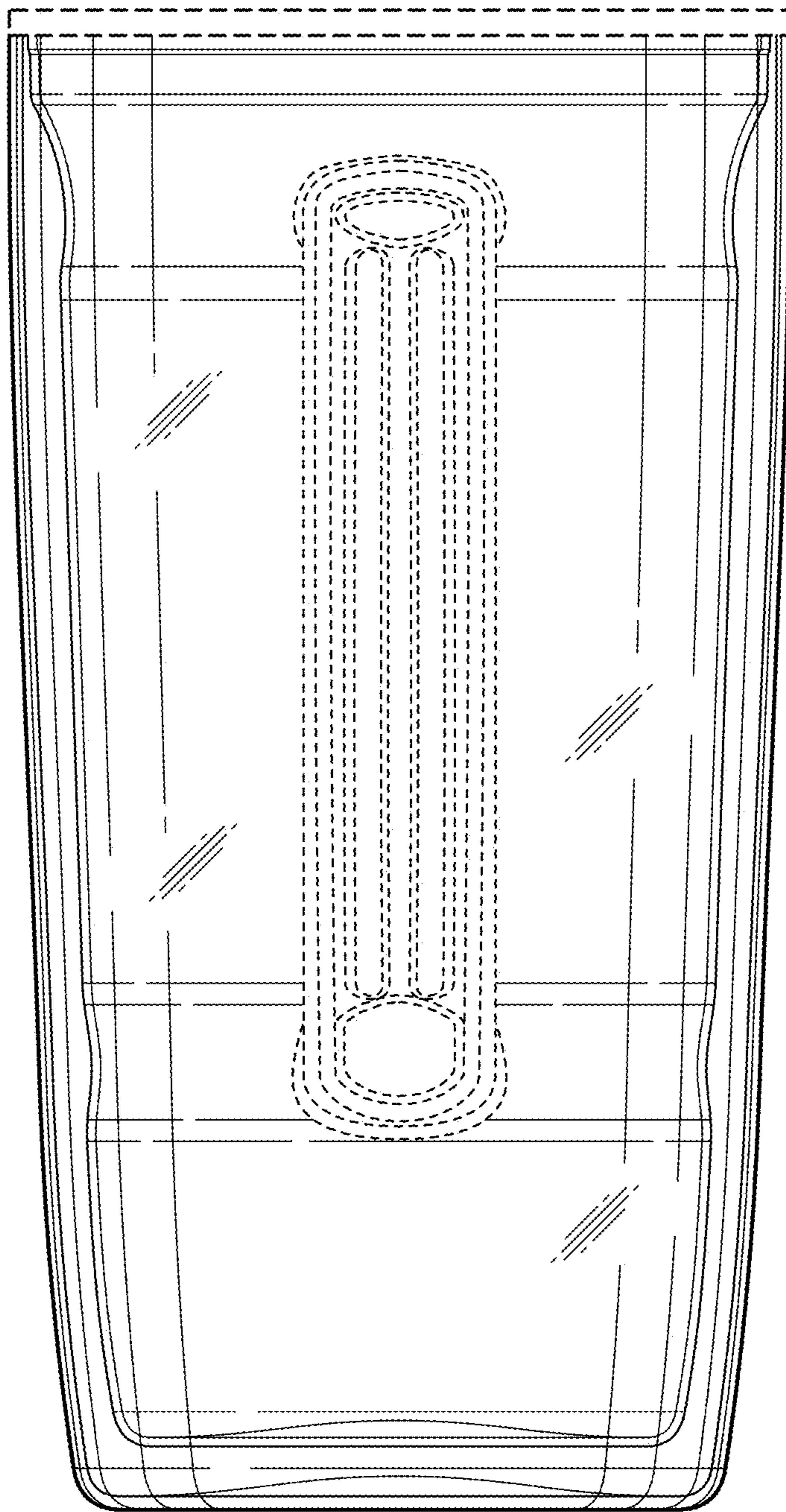


FIG. 3

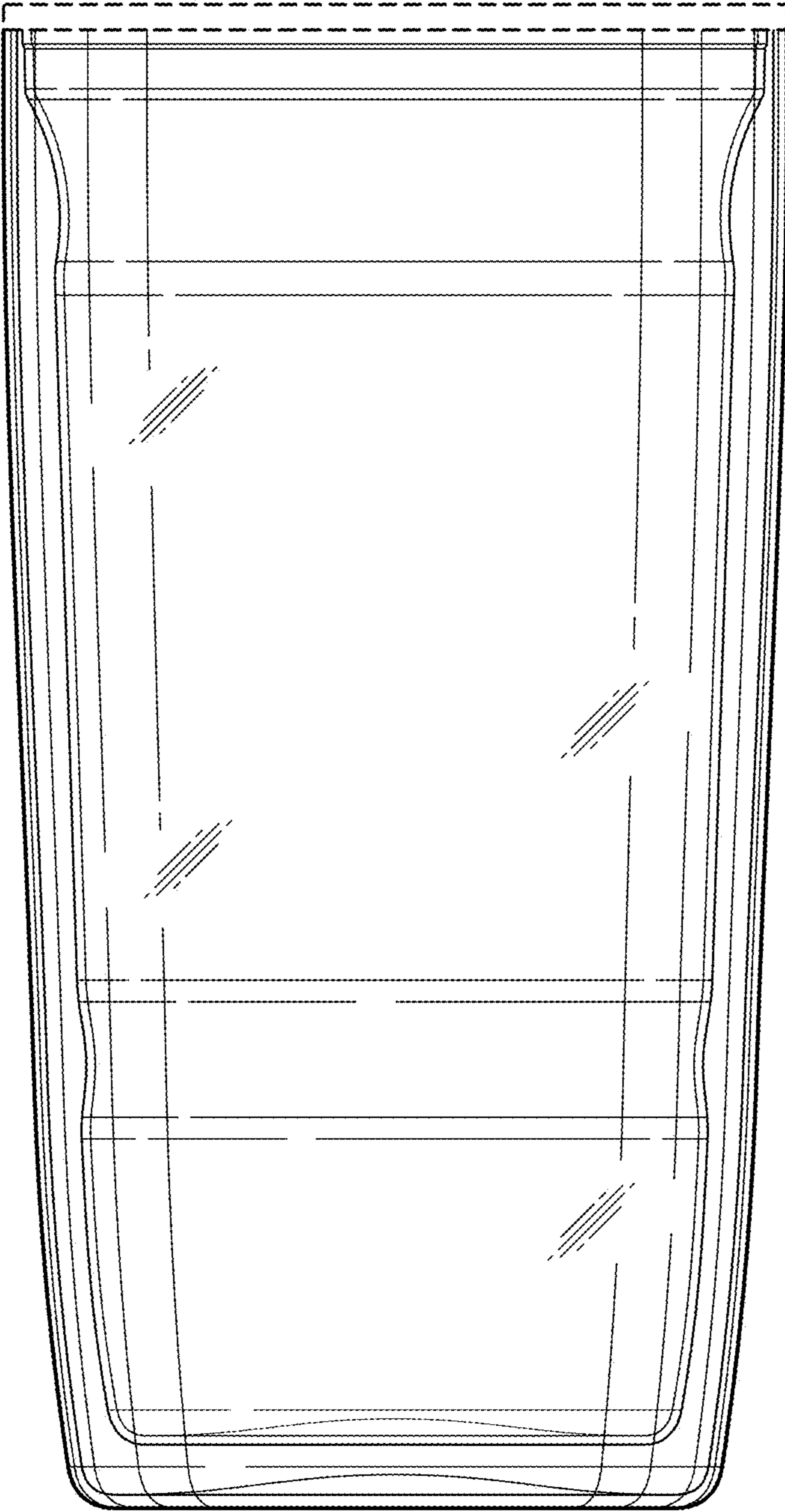


FIG. 4

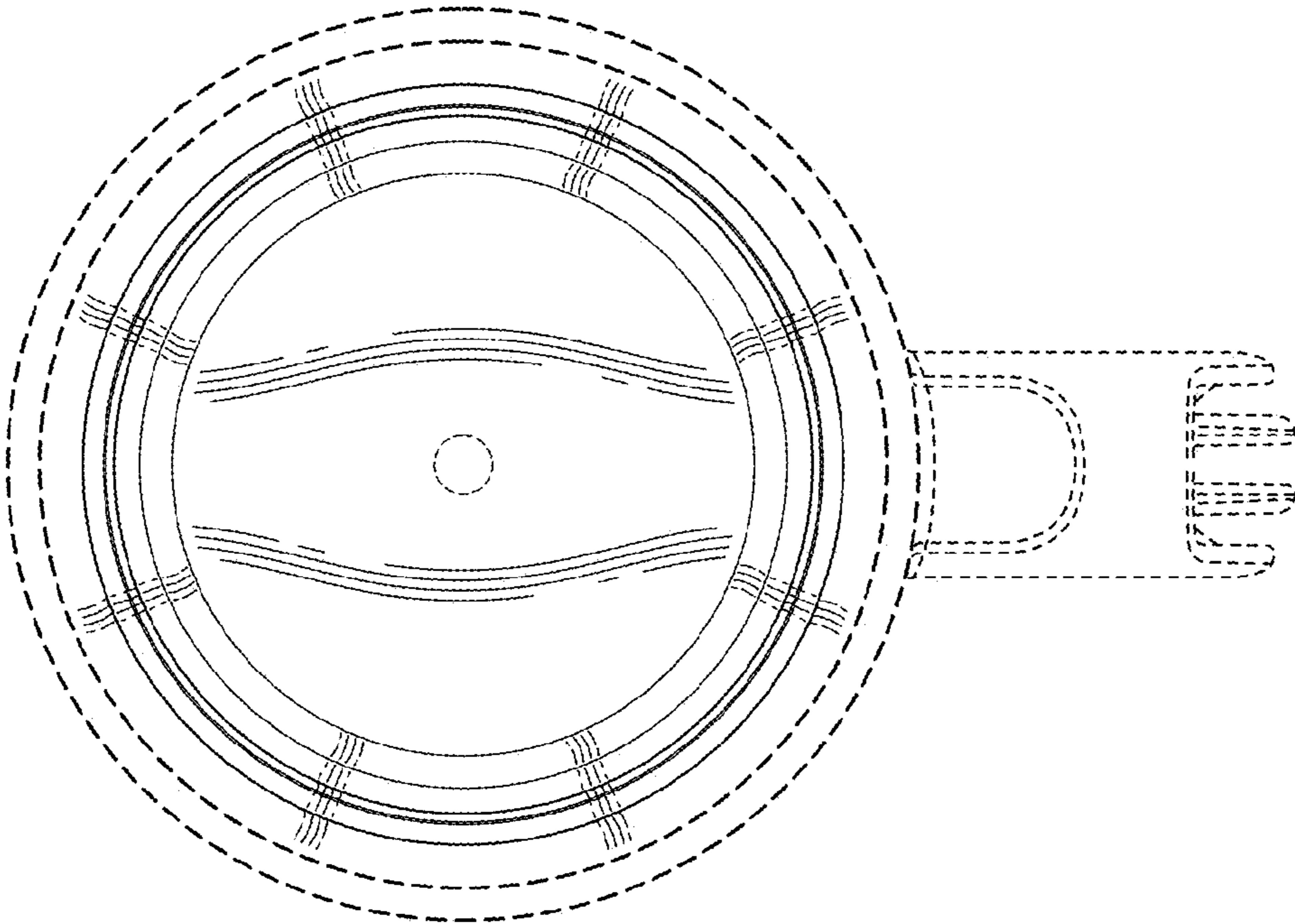


FIG. 5

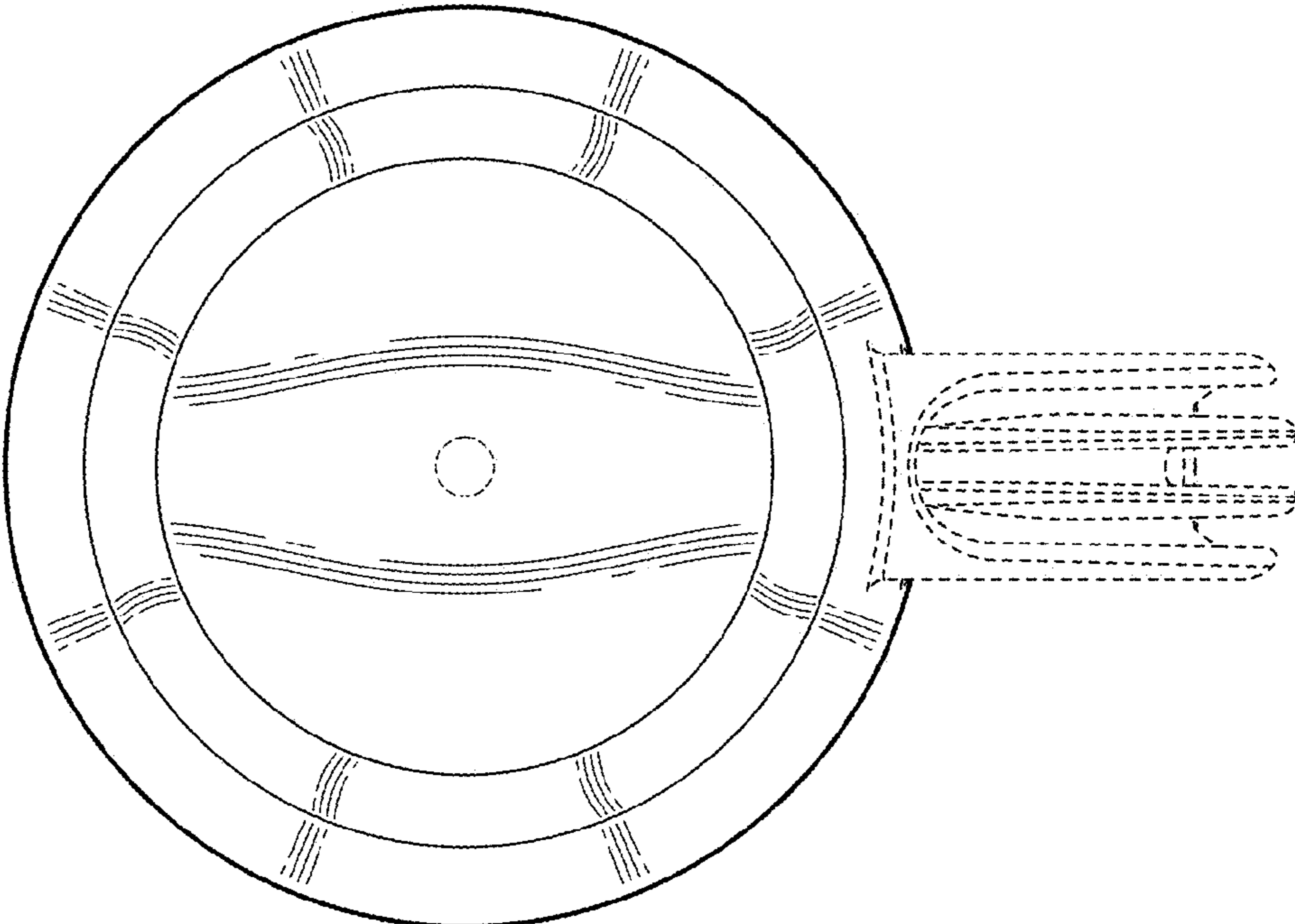


FIG. 6

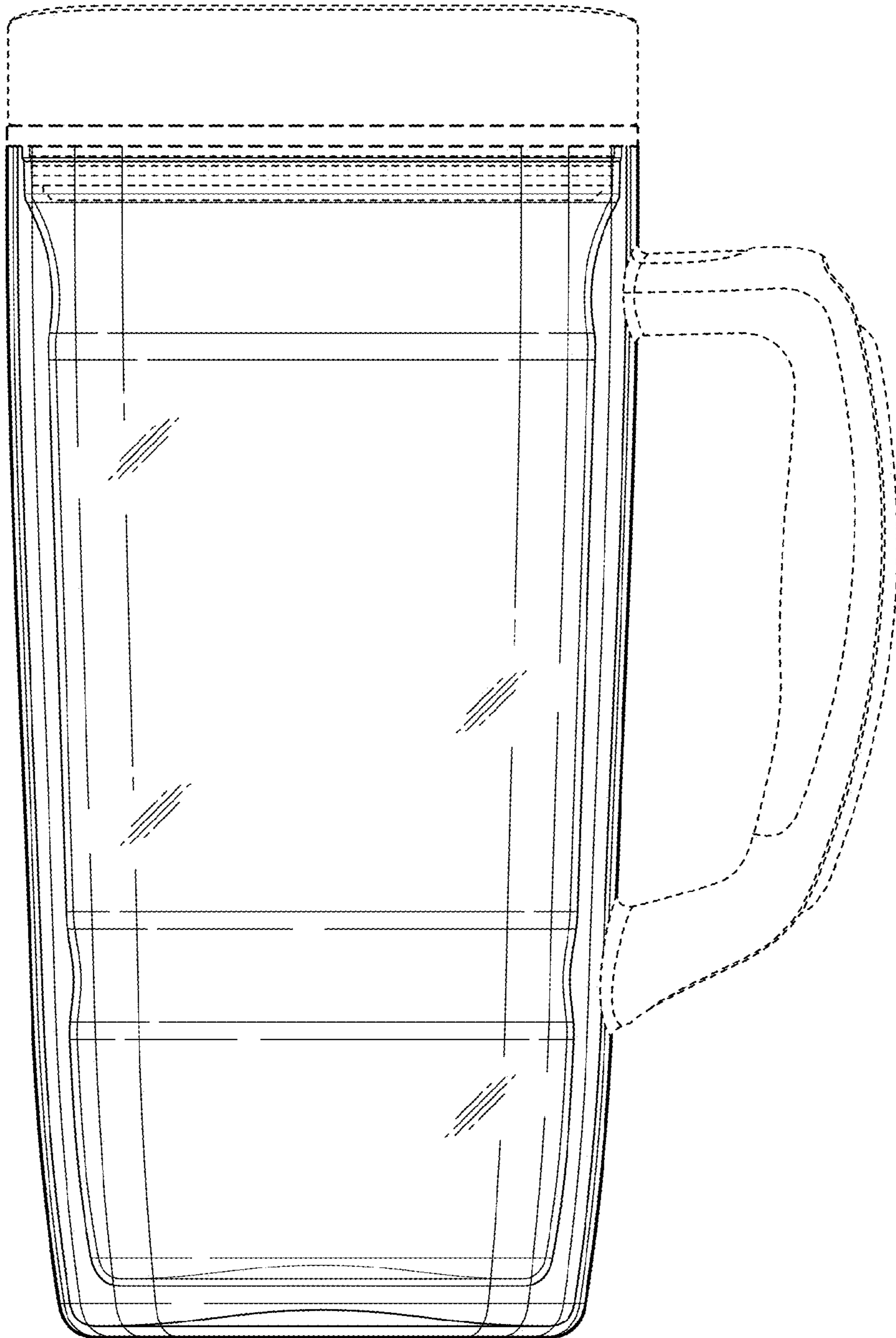


FIG. 7

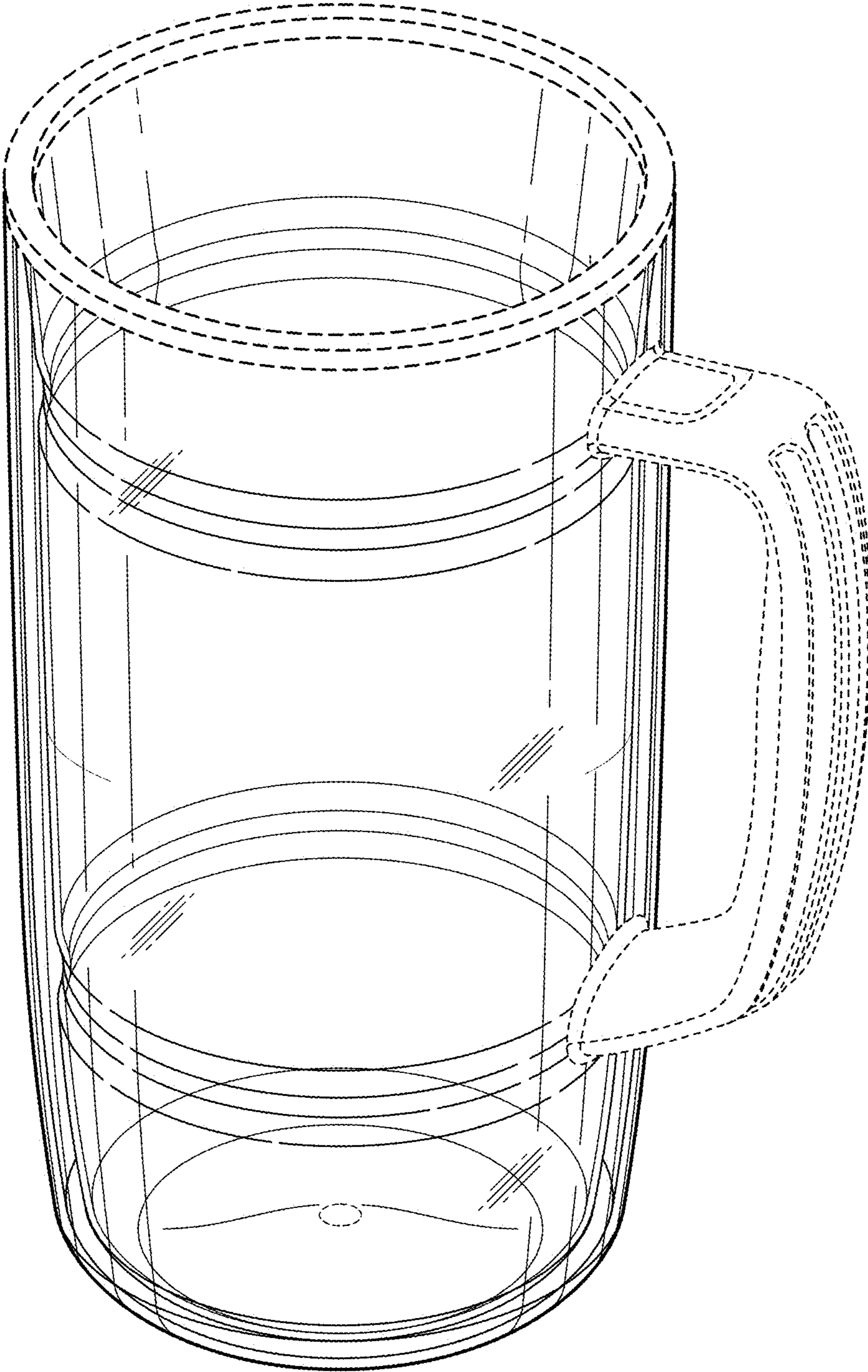


FIG. 8

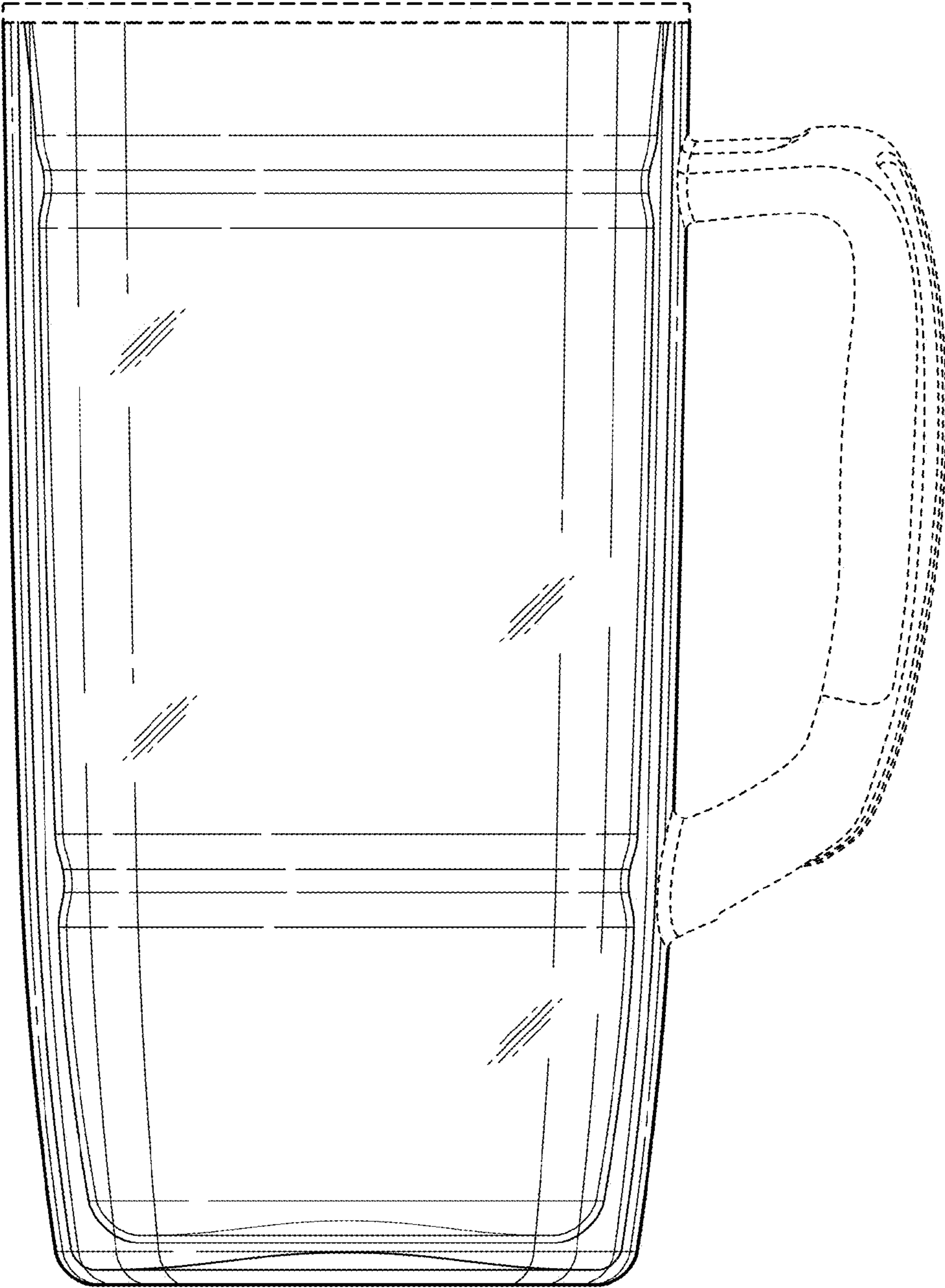


FIG. 9

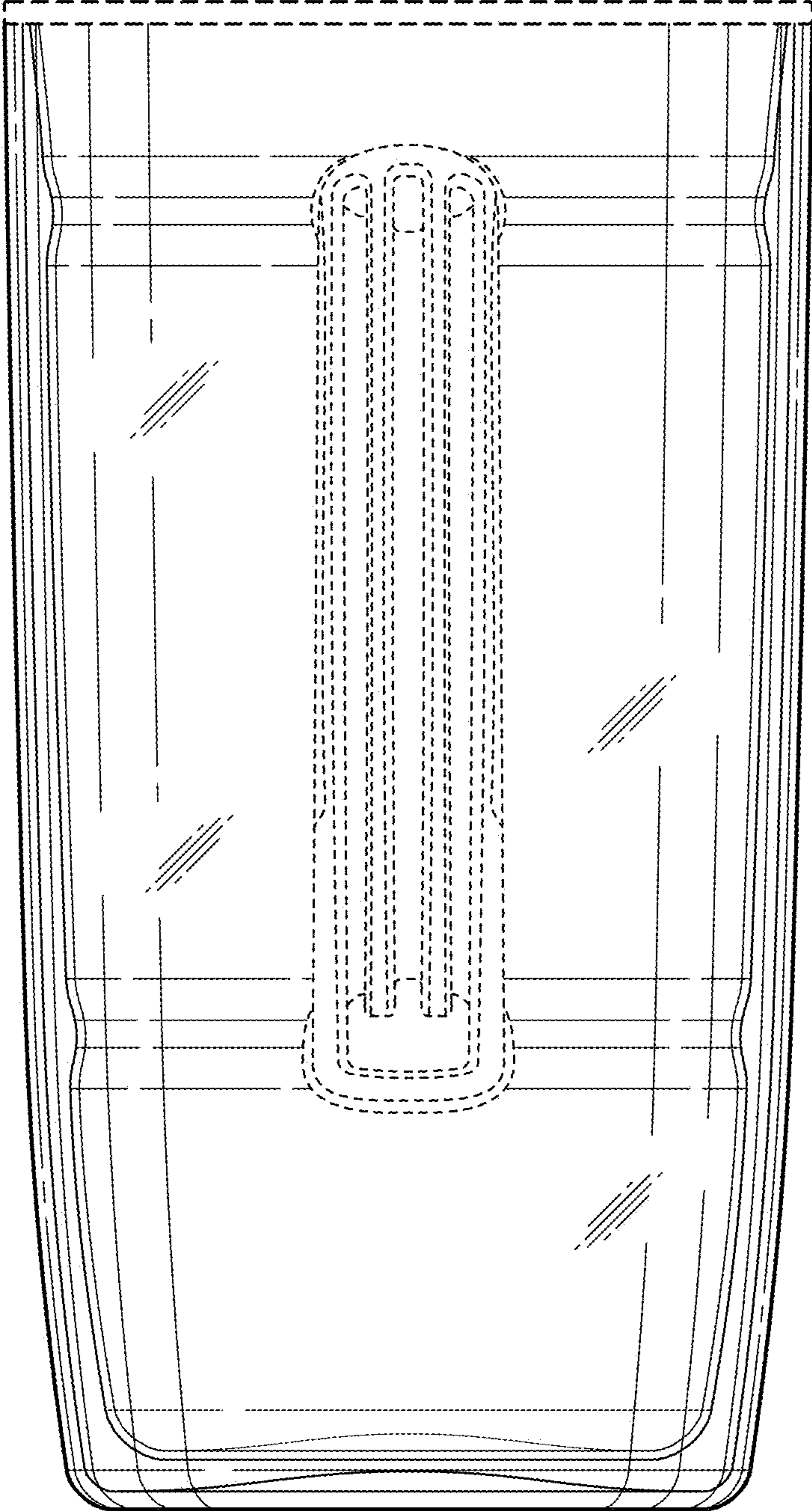


FIG. 10

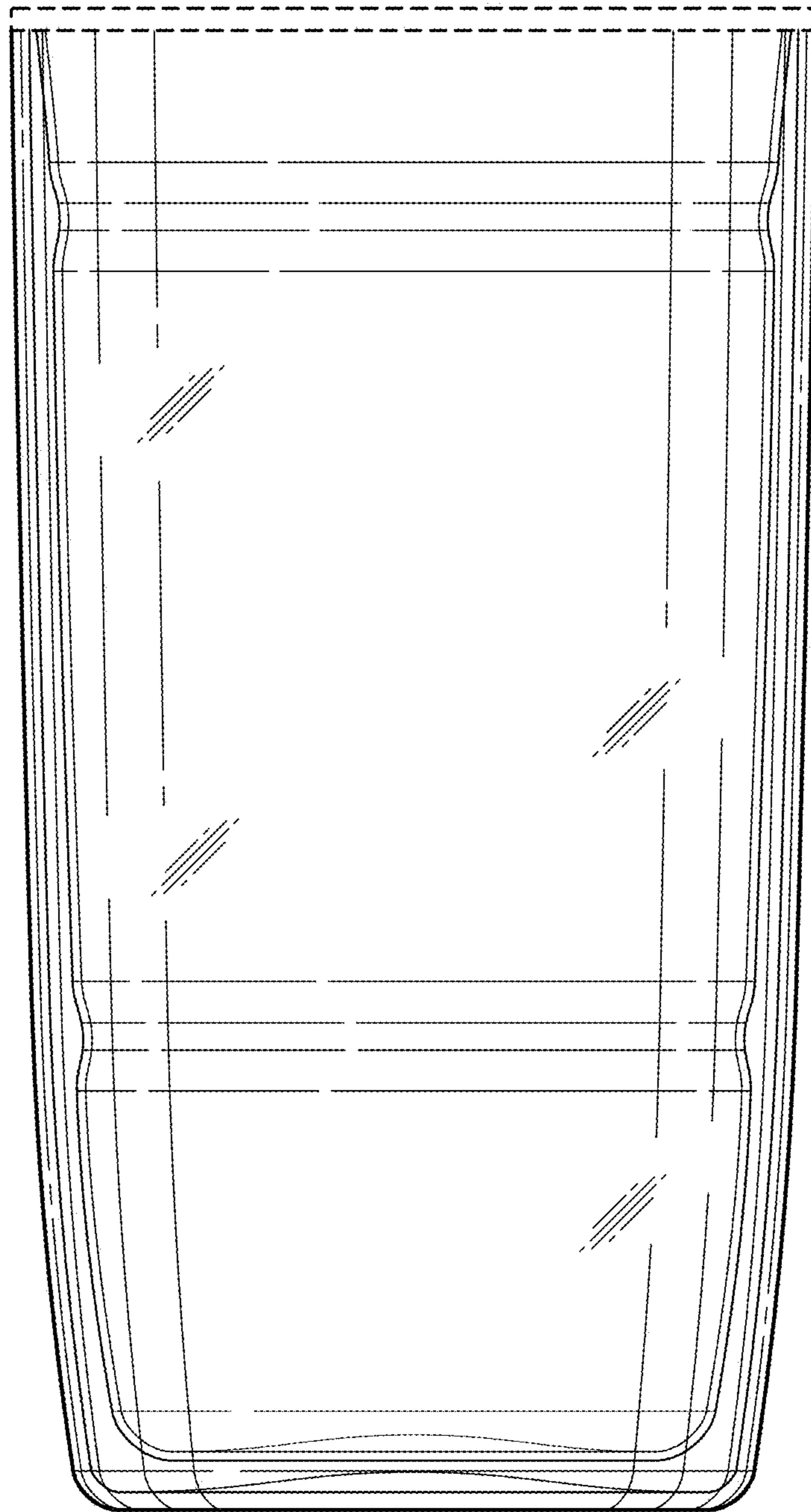


FIG. 11

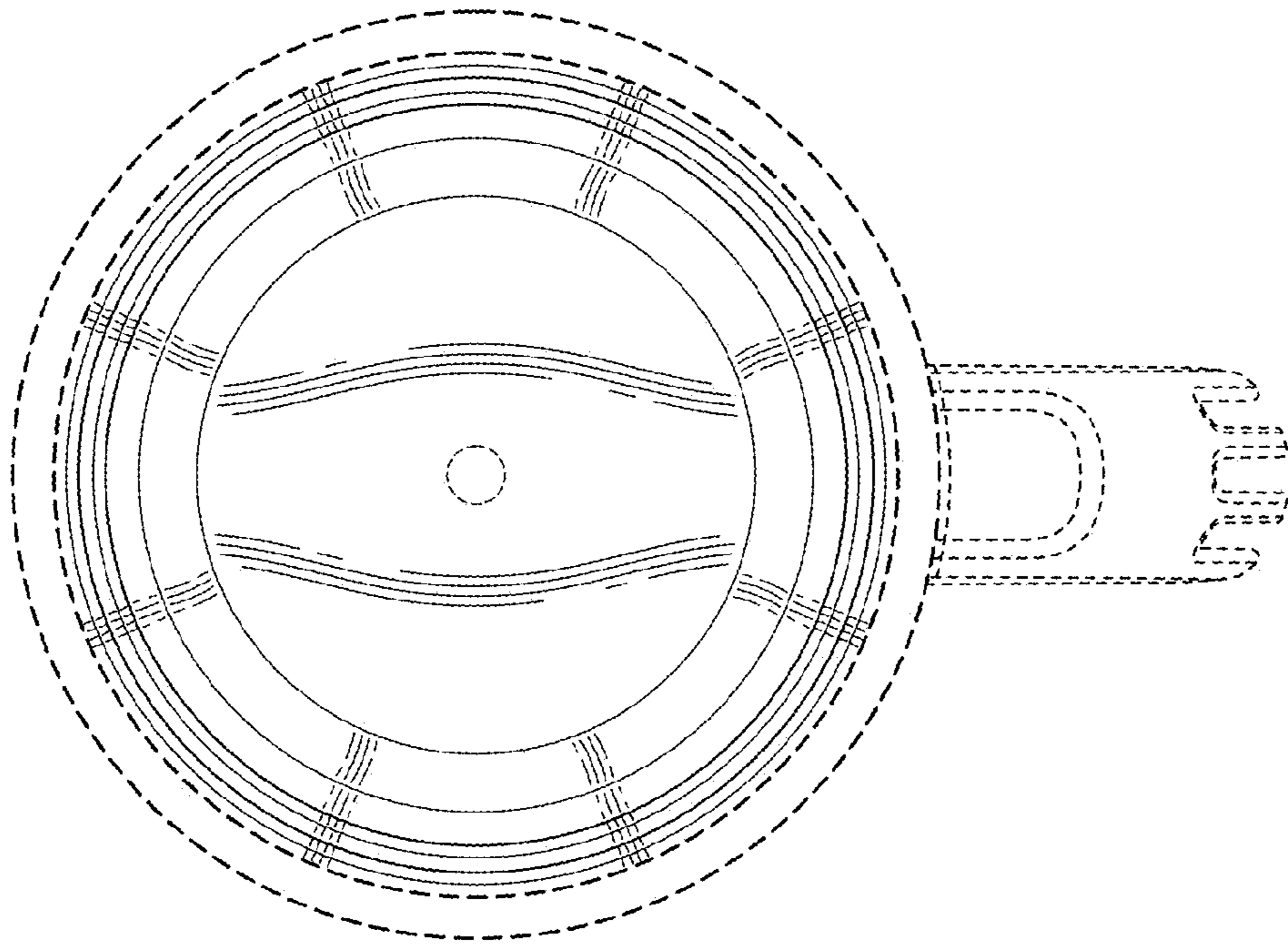


FIG. 12

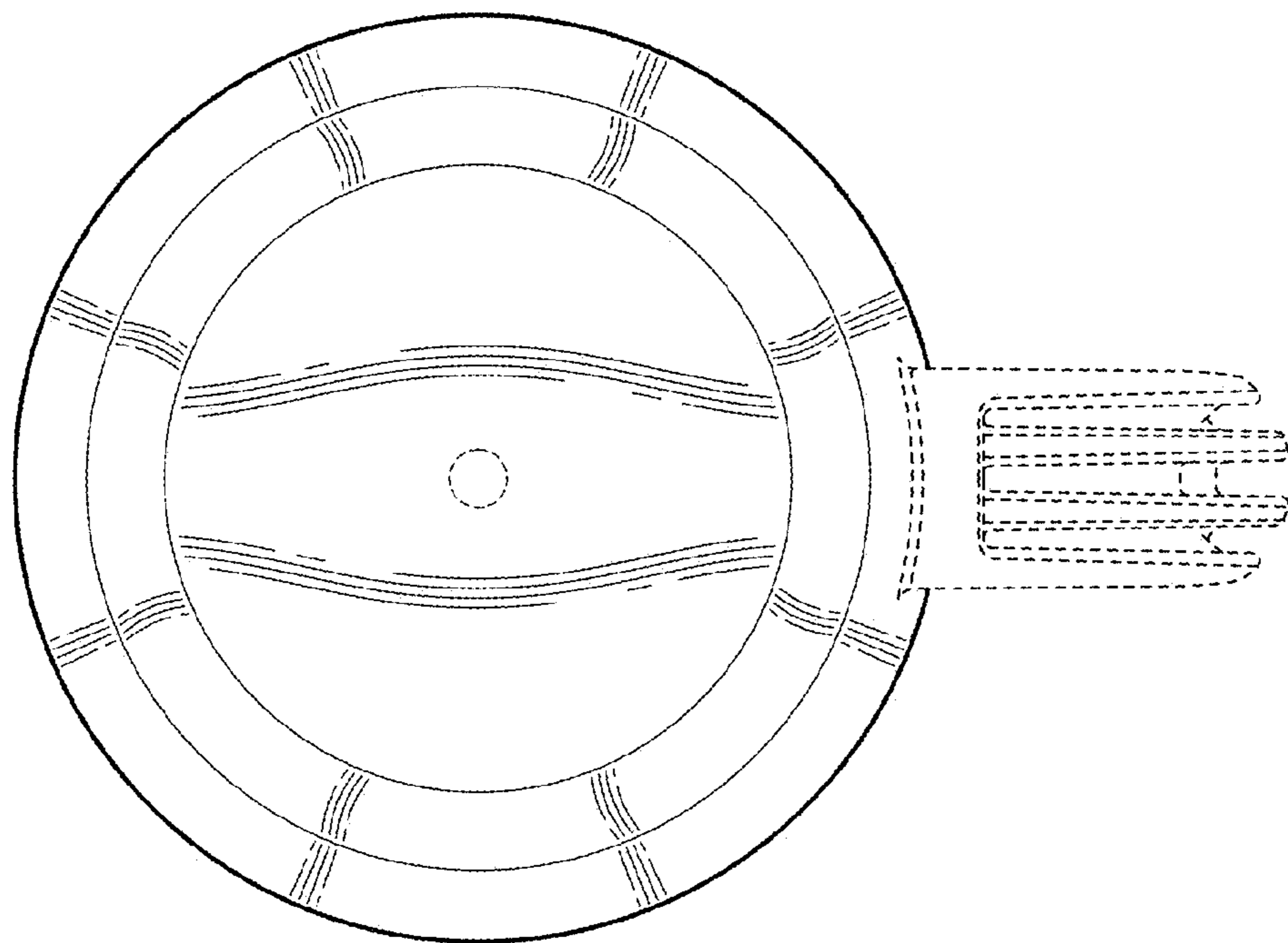


FIG. 13

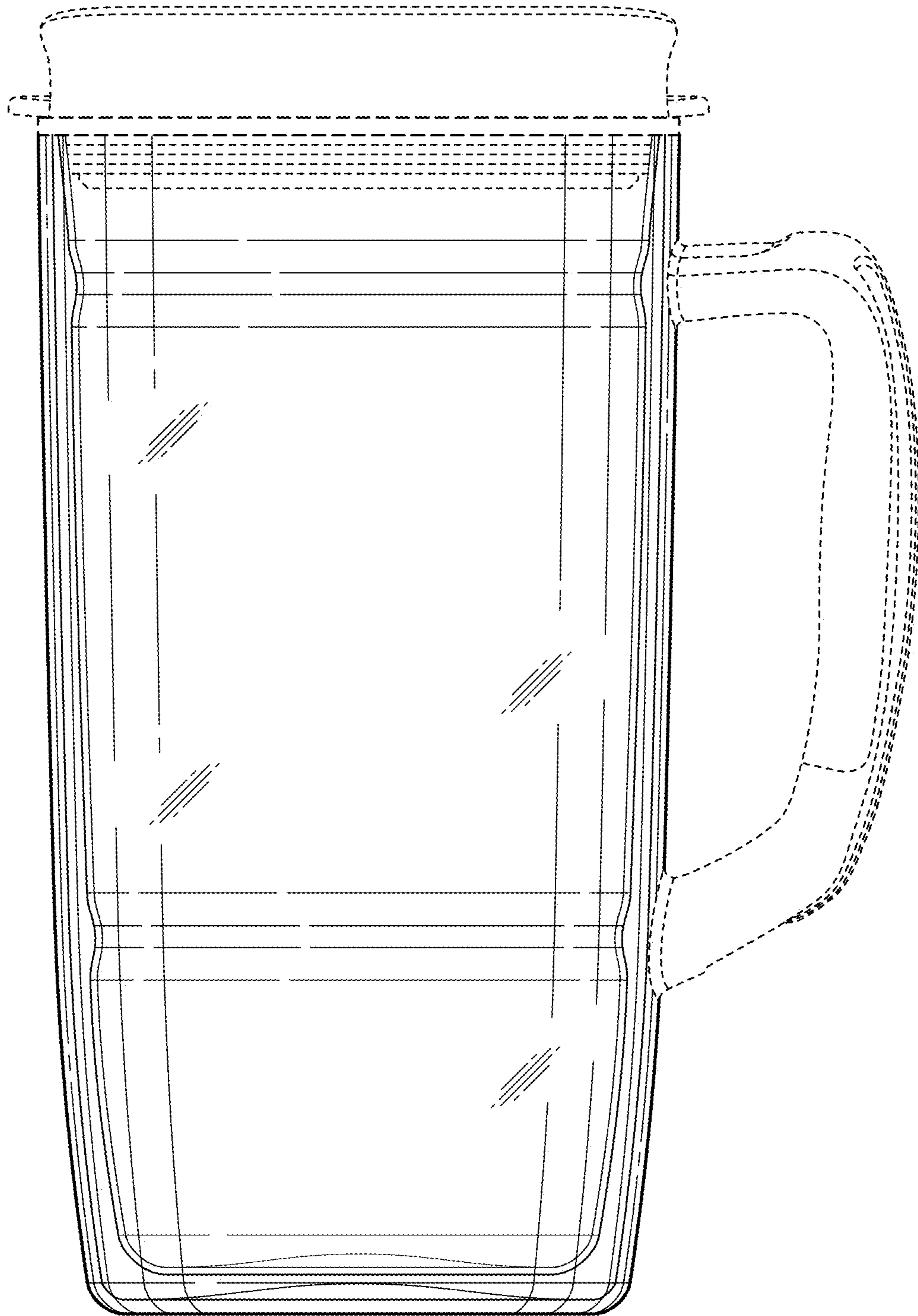


FIG. 14