



US00D730695S

(12) **United States Design Patent**  
**Lin**

(10) **Patent No.:** **US D730,695 S**  
(45) **Date of Patent:** **\*\* Jun. 2, 2015**

- (54) **CUP**
- (71) Applicant: **Karen Lin**, Brooklyn, NY (US)
- (72) Inventor: **Karen Lin**, Brooklyn, NY (US)
- (\*\*) Term: **14 Years**
- (21) Appl. No.: **29/449,940**
- (22) Filed: **Mar. 15, 2013**
- (51) **LOC (10) Cl.** ..... **07-01**
- (52) **U.S. Cl.**  
USPC ..... **D7/516; D7/534**
- (58) **Field of Classification Search**  
USPC ..... D7/516, 519, 514, 515, 523, 534;  
220/662, 703; 446/74, 75; 206/217;  
D9/601, 602, 603, 607, 613; D24/197,  
D24/198; 428/16  
CPC ..... A47G 19/22  
See application file for complete search history.

(56) **References Cited**

**U.S. PATENT DOCUMENTS**

777,305	A	12/1904	Priestnall	
D72,870	S *	6/1927	Royal	D9/613
D102,198	S *	12/1936	Vuillemont	D9/613
2,158,633	A *	5/1939	Normandi et al.	427/266
D155,304	S *	9/1949	McKay	D7/534
2,505,380	A	4/1950	Blefeld	
2,510,237	A	6/1950	Mahoney	
D167,375	S *	7/1952	Riout	D9/613
2,663,866	A	12/1953	Simpson	
2,792,696	A *	5/1957	Stayart	215/11.1
D216,287	S *	12/1969	Peters	D28/73
4,096,966	A *	6/1978	Korshak	220/603
D292,111	S *	9/1987	Kijima et al.	D21/590
D302,940	S *	8/1989	Ferrero	D9/613
D302,942	S *	8/1989	Ferrero	D9/607
D303,035	S *	8/1989	O'Dunlaing	D99/40
D306,692	S *	3/1990	Ferrero	D9/607
4,932,542	A	6/1990	Chen et al.	
5,123,190	A	6/1992	Erberber	
D342,187	S *	12/1993	Chen	D7/503

D342,188	S *	12/1993	Chen	D7/503
D343,763	S *	2/1994	Zimmerman	D7/548
5,294,018	A *	3/1994	Boucher	220/603
D352,201	S	11/1994	Spence, Jr.	
D363,854	S *	11/1995	Katz	D7/509

(Continued)

**FOREIGN PATENT DOCUMENTS**

EP 0 779 050 A1 6/1997

**OTHER PUBLICATIONS**

"Animugs," <http://www.animugs.net/list.php?cat=~&uT=1366230219&sid=1cdb4dee6b6566094374a8a84d0e802f>, accessed Feb. 1, 2013.

(Continued)

*Primary Examiner* — Marianne Pandozzi

(74) *Attorney, Agent, or Firm* — Sterne, Kessler, Goldstein & Fox P.L.L.C.

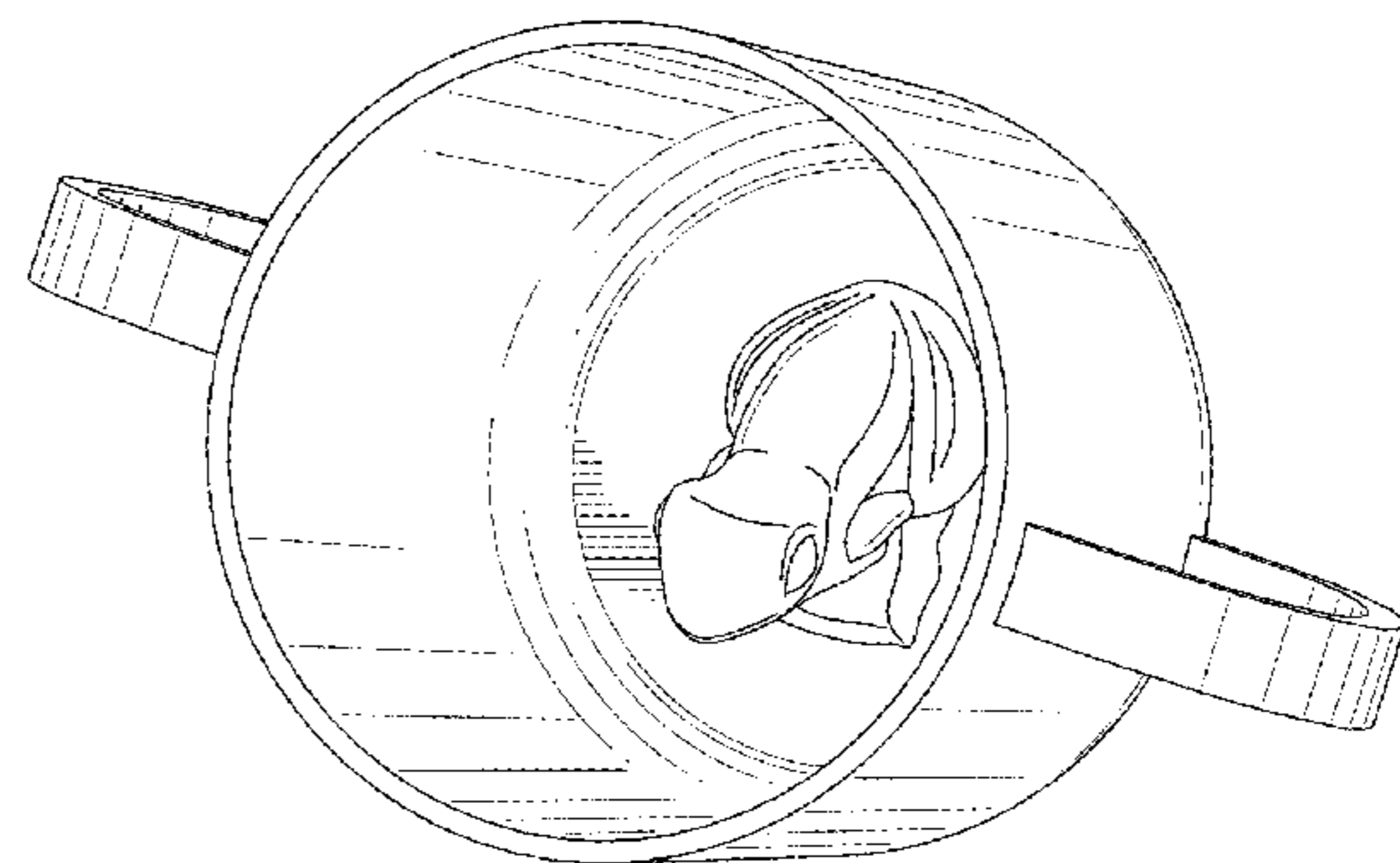
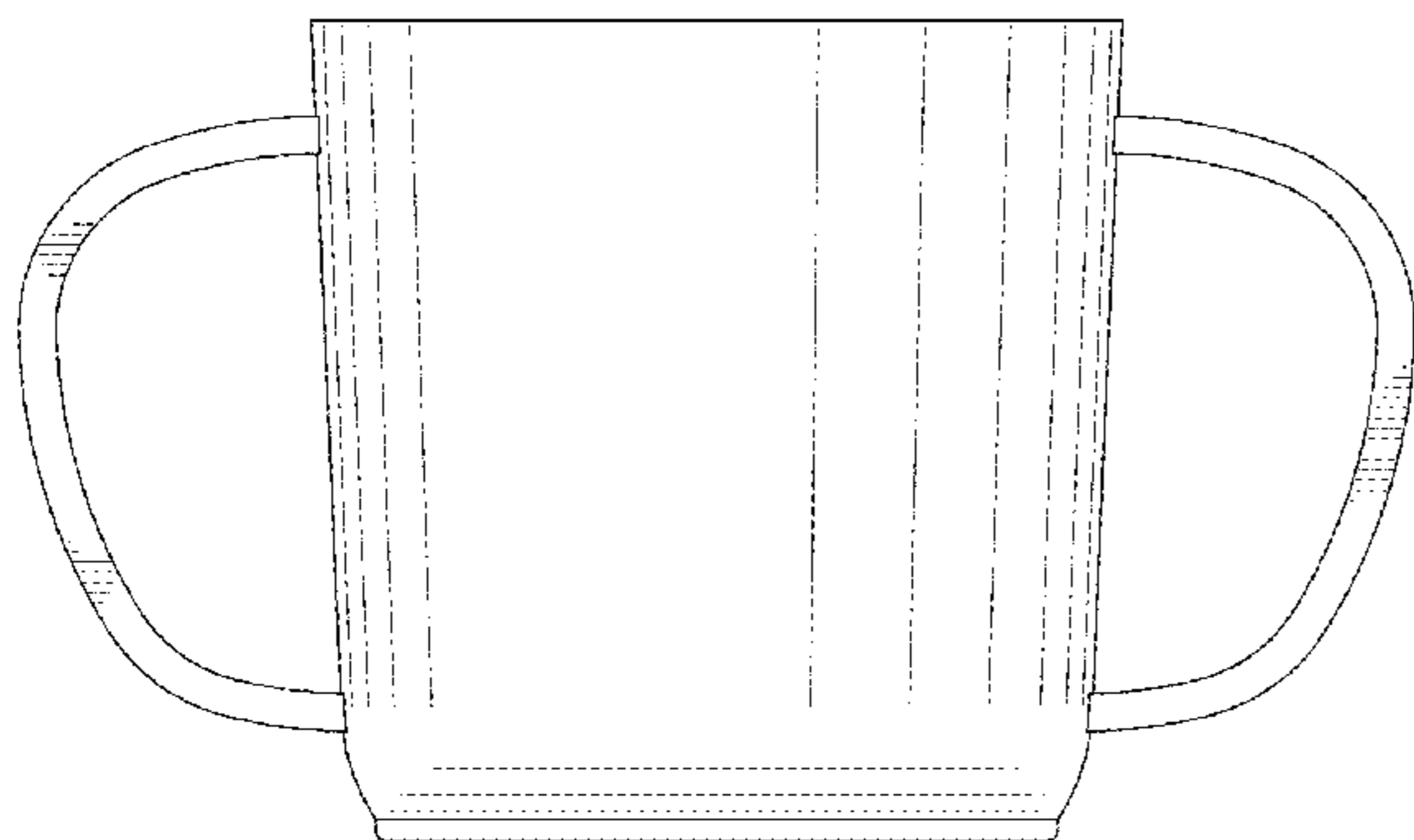
(57) **CLAIM**

The ornamental design for a cup, as shown and described.

**DESCRIPTION**

FIG. 1 is a top, front perspective view of a cup showing my new design;  
 FIG. 2 is a front view thereof, the rear view being a mirror image thereof;  
 FIG. 3 is a left side view thereof, the right side view being a mirror image thereof;  
 FIG. 4 is a bottom view thereof;  
 FIG. 5 is a bottom perspective view thereof;  
 FIG. 6 is a top, left perspective view thereof;  
 FIG. 7 is a top, right perspective view thereof;  
 FIG. 8 is another top, right perspective view thereof; and,  
 FIG. 9 is a top, rear perspective view thereof.  
 The shade lines in the Figures show contour and not surface ornamentation.

**1 Claim, 5 Drawing Sheets**



(56)

**References Cited**

U.S. PATENT DOCUMENTS

5,687,497 A 11/1997 Moore  
 5,769,680 A \* 6/1998 Hoffman ..... 446/75  
 5,803,306 A \* 9/1998 Lewis ..... 220/662  
 D406,055 S \* 2/1999 Klawiter ..... D9/415  
 6,005,204 A \* 12/1999 Choi et al. .... 200/52 R  
 6,036,570 A \* 3/2000 Nadel ..... 446/74  
 6,066,021 A 5/2000 Lee  
 D427,855 S 7/2000 Baker  
 6,098,794 A \* 8/2000 Lin ..... 206/217  
 6,334,271 B1 \* 1/2002 Su Yeh ..... 40/430  
 D460,322 S \* 7/2002 Orr et al. .... D7/510  
 D495,558 S \* 9/2004 Tollman ..... D7/510  
 D532,257 S \* 11/2006 Mansfield ..... D7/513  
 D551,904 S 10/2007 Rousso et al.  
 D552,421 S \* 10/2007 Wolf ..... D7/523  
 D556,511 S \* 12/2007 Mansfield ..... D7/523  
 D586,181 S 2/2009 Pola  
 D631,702 S \* 2/2011 Flick ..... D7/523  
 8,051,590 B2 11/2011 Schnuckle

D686,454 S \* 7/2013 Roth ..... D7/523  
 D695,074 S \* 12/2013 Franco ..... D7/516  
 D696,125 S \* 12/2013 Ring et al. .... D9/516  
 D701,729 S \* 4/2014 Kehoe ..... D7/523  
 D703,489 S \* 4/2014 Thomas ..... D7/523

OTHER PUBLICATIONS

“Octopus Creature Cup,” <http://www.creaturecups.com/sea>.  
 “Pelican Creature Cup,” <http://www.creaturecups.com/sea>.  
 “Crocodile Creature Cup,” <http://www.creaturecups.com/sea>.  
 “Sea Otter Creature Cup,” <http://www.creaturecups.com/sea>.  
 “Shark Creature Cup,” <http://www.creaturecups.com/sea>.  
 “Lobster Creature Cup,” <http://www.creaturecups.com/sea>.  
 “Frog Creature Cup,” <http://www.creaturecups.com/earth>.  
 “Elephant Creature Cup,” <http://www.creaturecups.com/earth>.  
 “Monkey Creature Cup,” <http://www.creaturecups.com/earth>.  
 “Triceratops Creature Cup,” <http://www.creaturecups.com/earth>.  
 “T-Rex Creature Cup,” <http://www.creaturecups.com/earth>.  
 “Spider Creepy Cup,” <http://www.creaturecups.com/creepy>.  
 “Skull Creepy Cup,” <http://www.creaturecups.com/creepy>.

\* cited by examiner

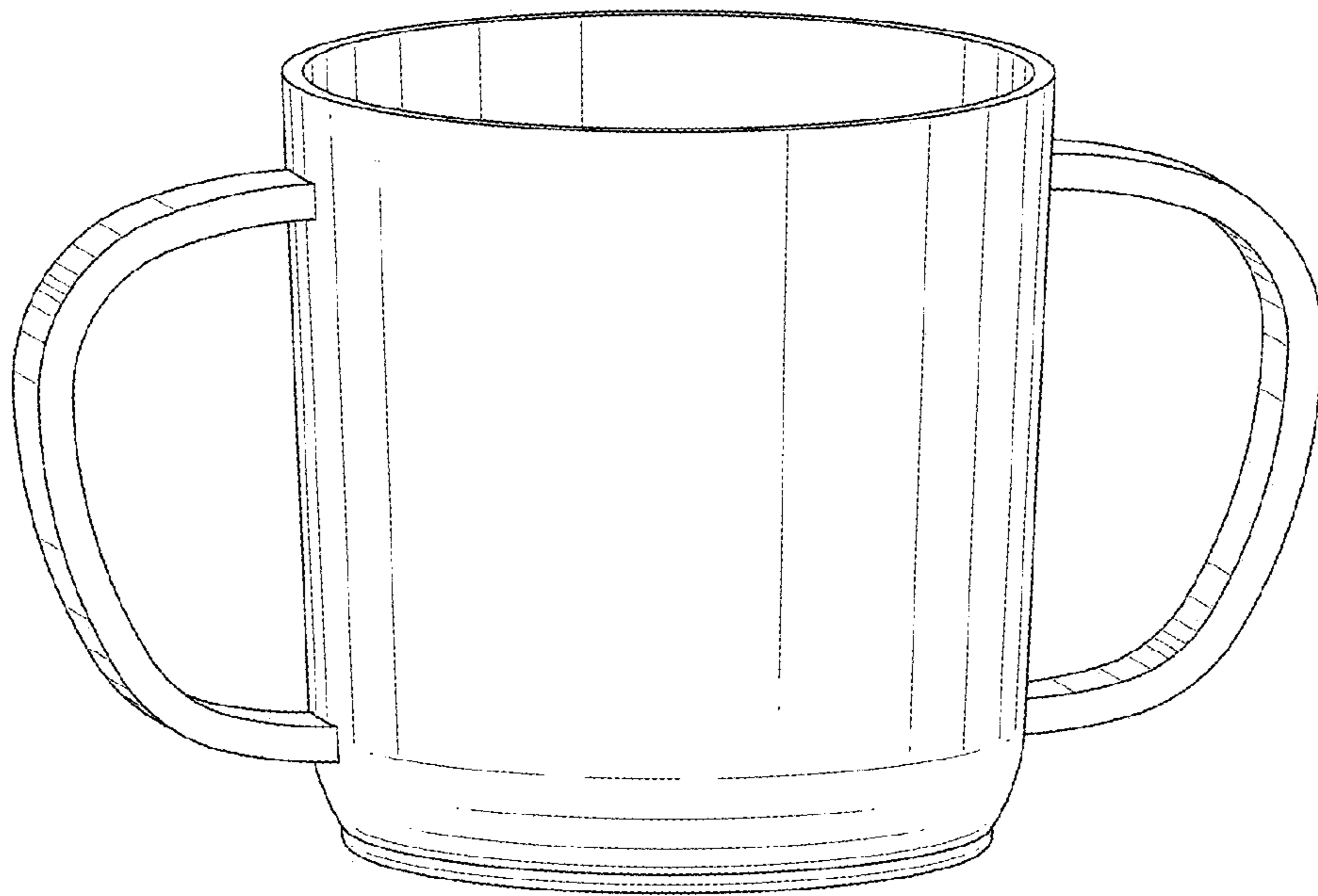


FIG. 1

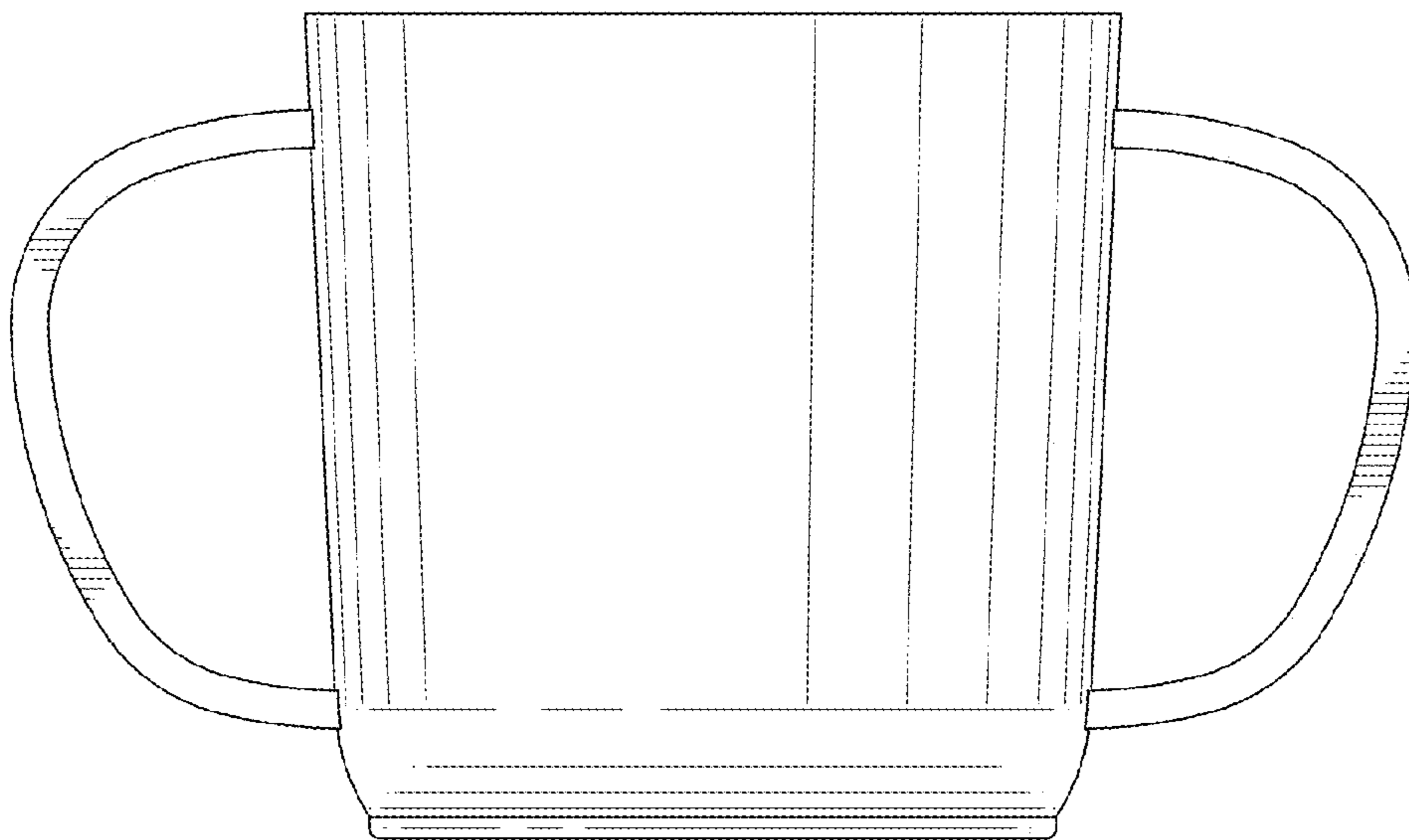


FIG. 2

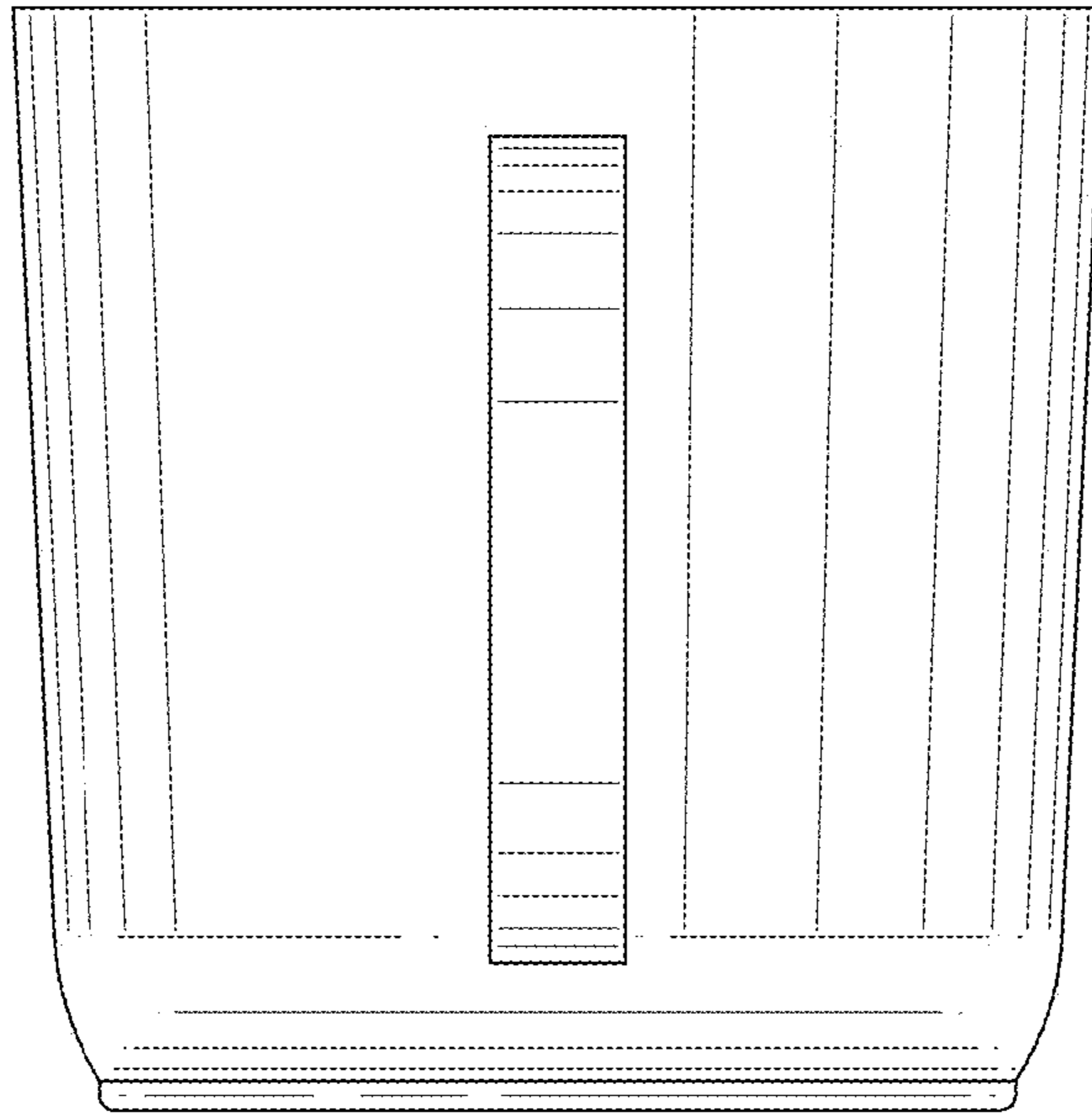


FIG. 3

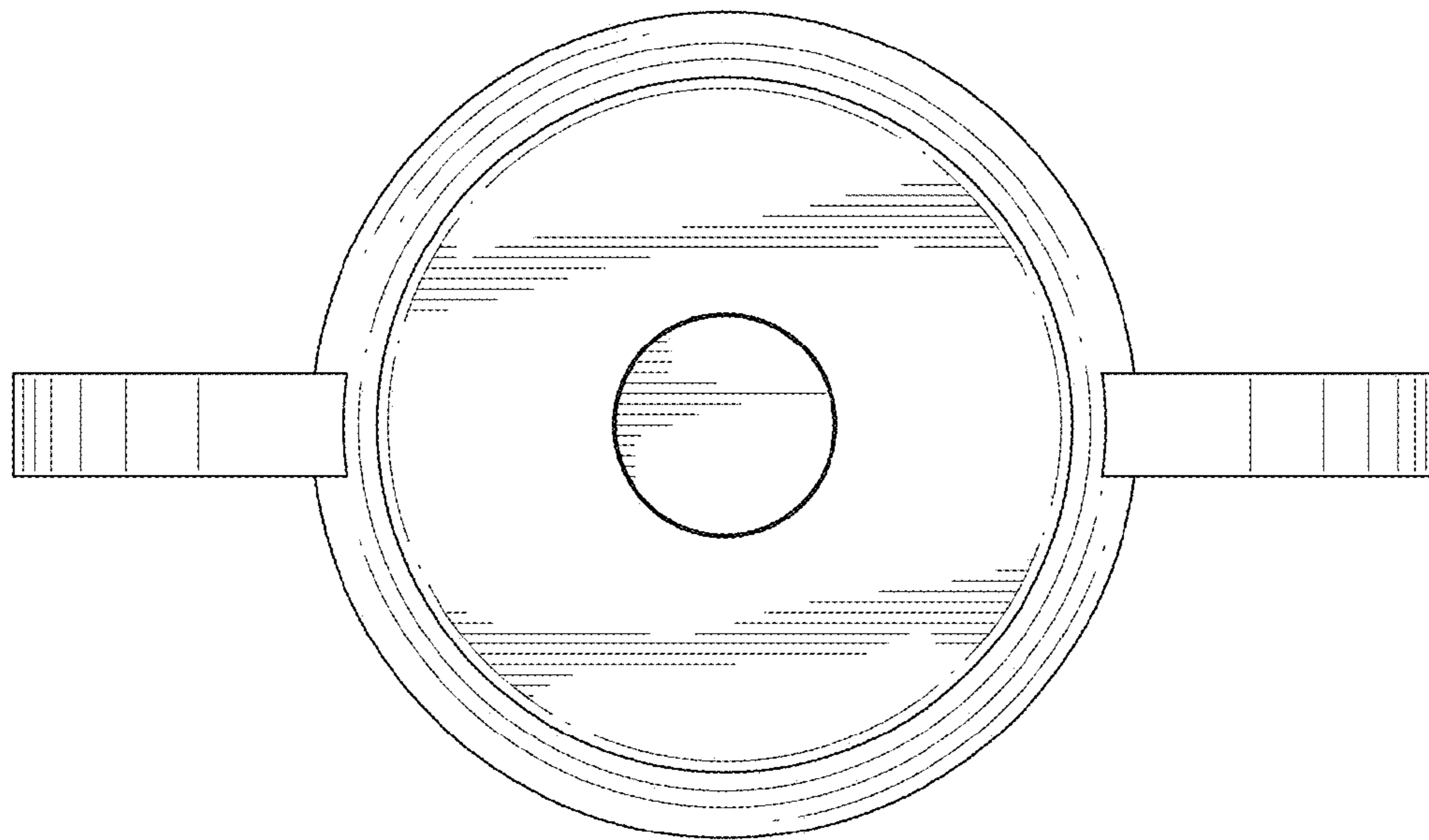


FIG. 4

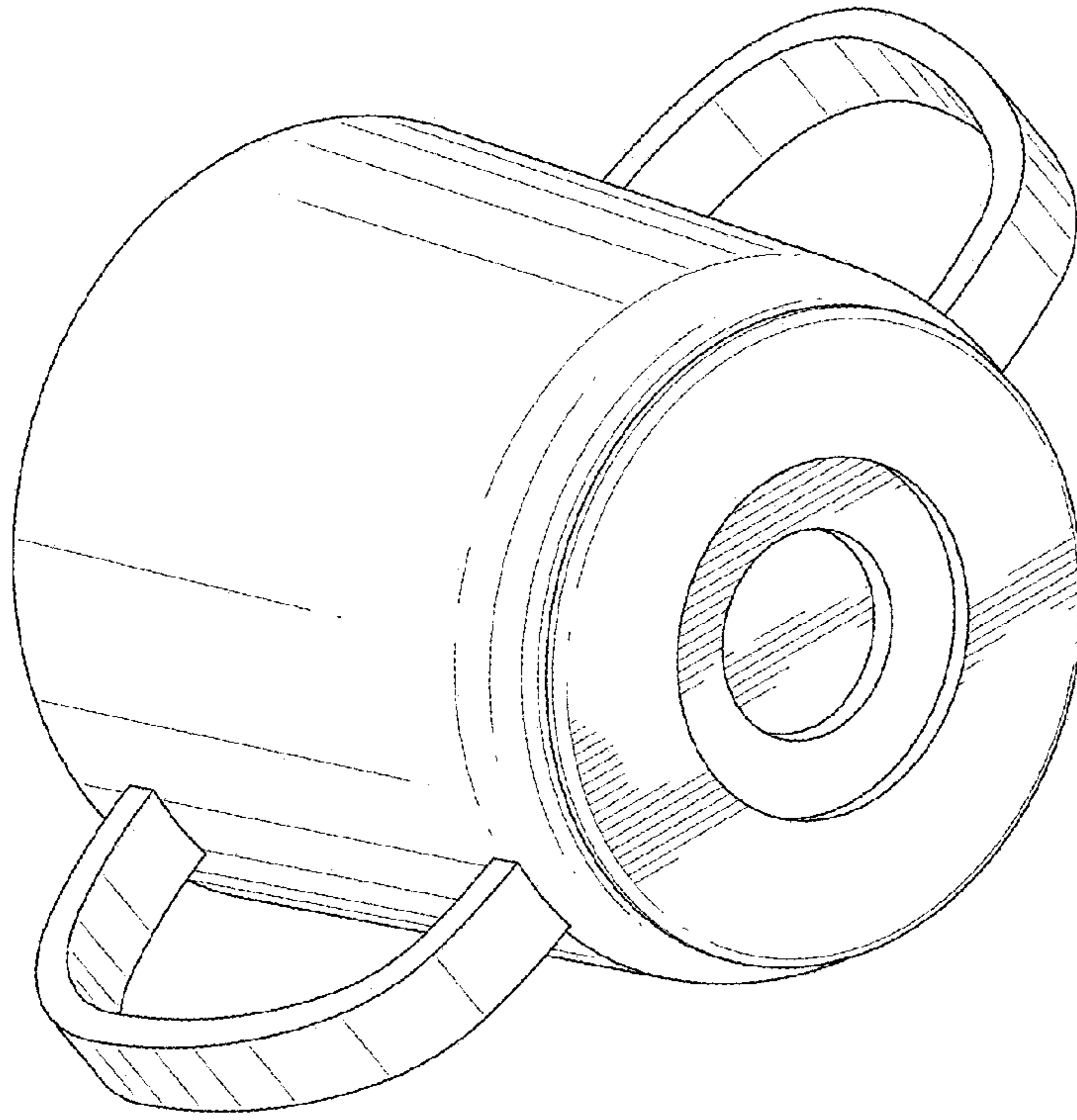


FIG. 5

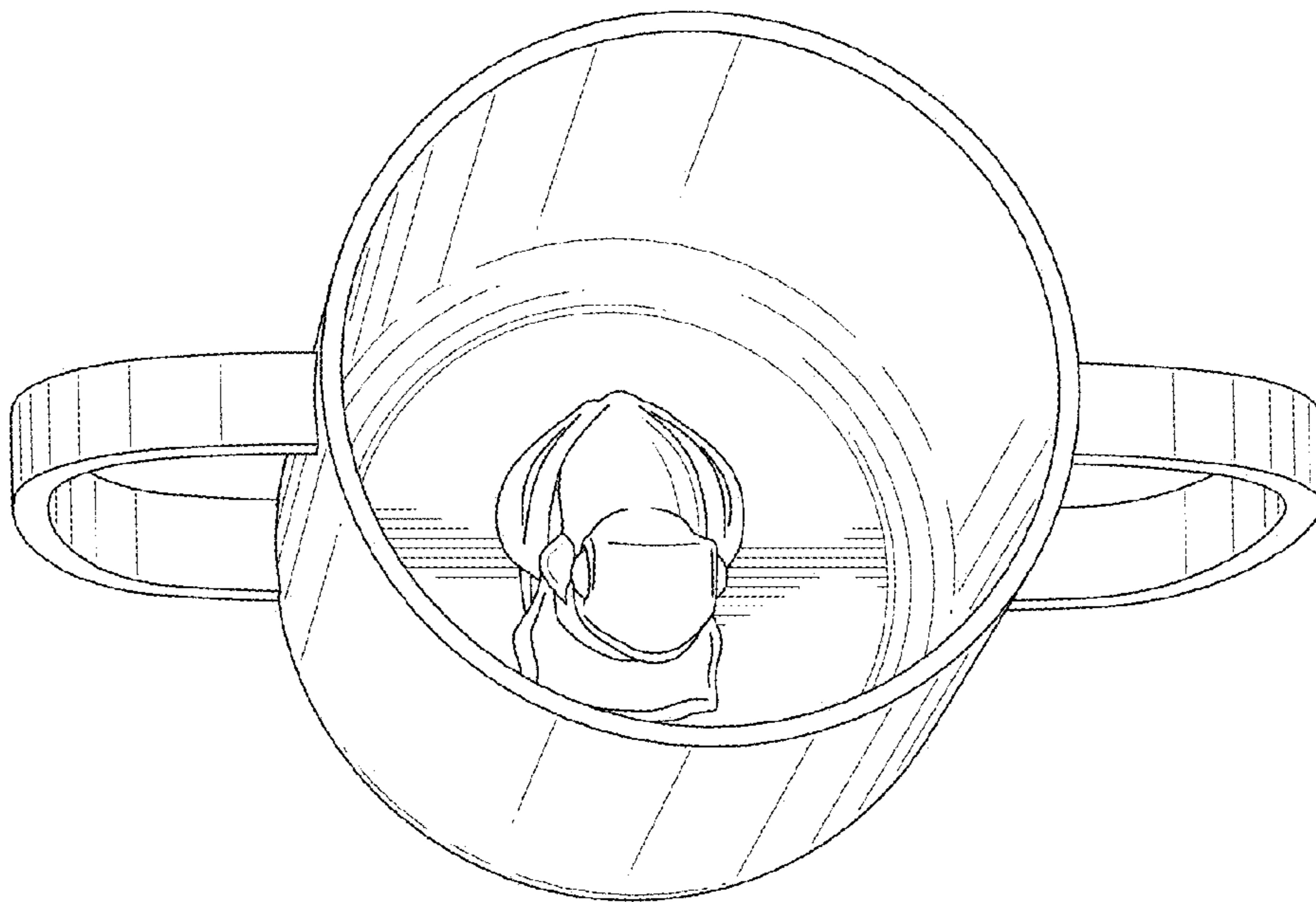


FIG. 6

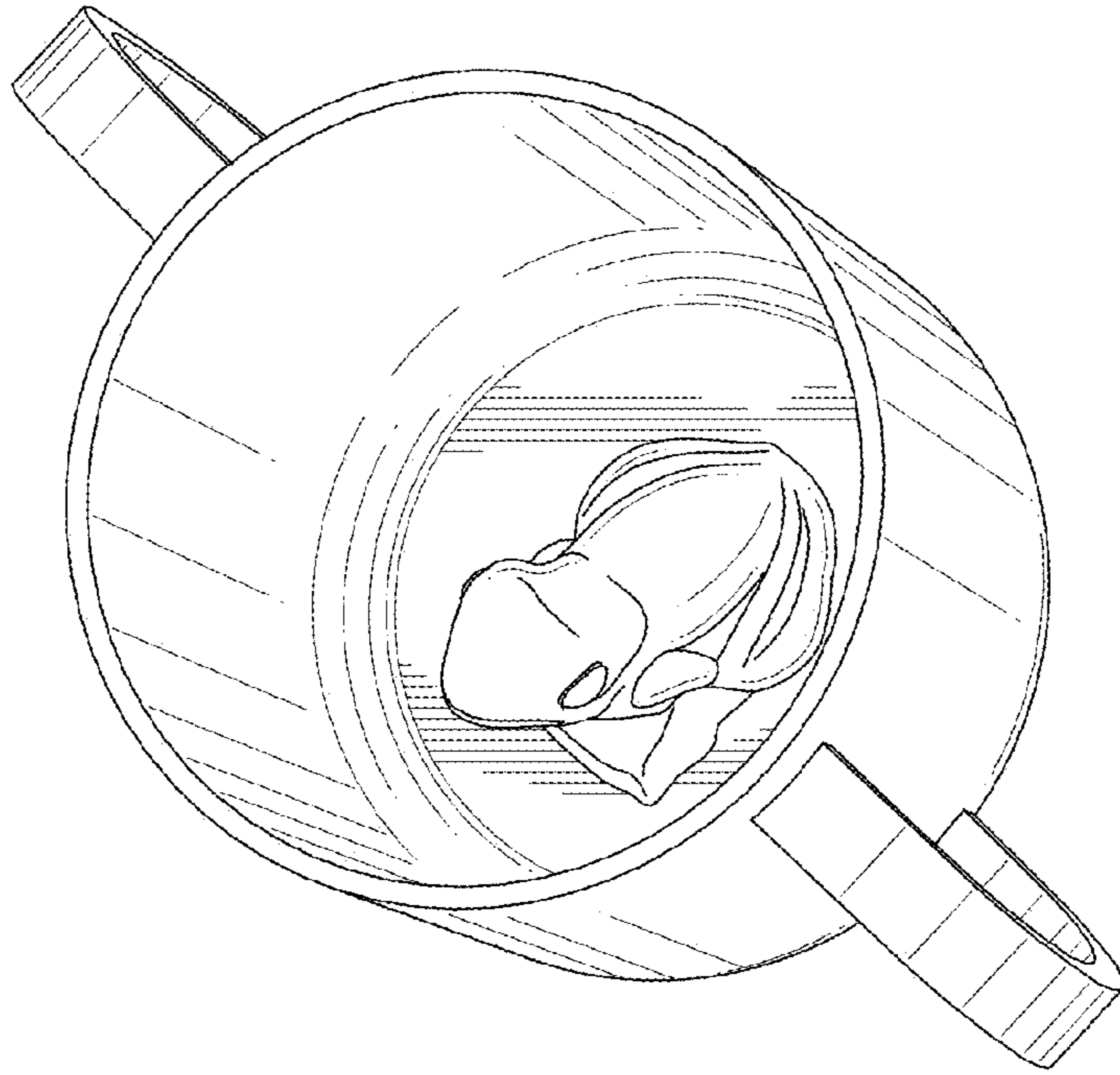


FIG. 7

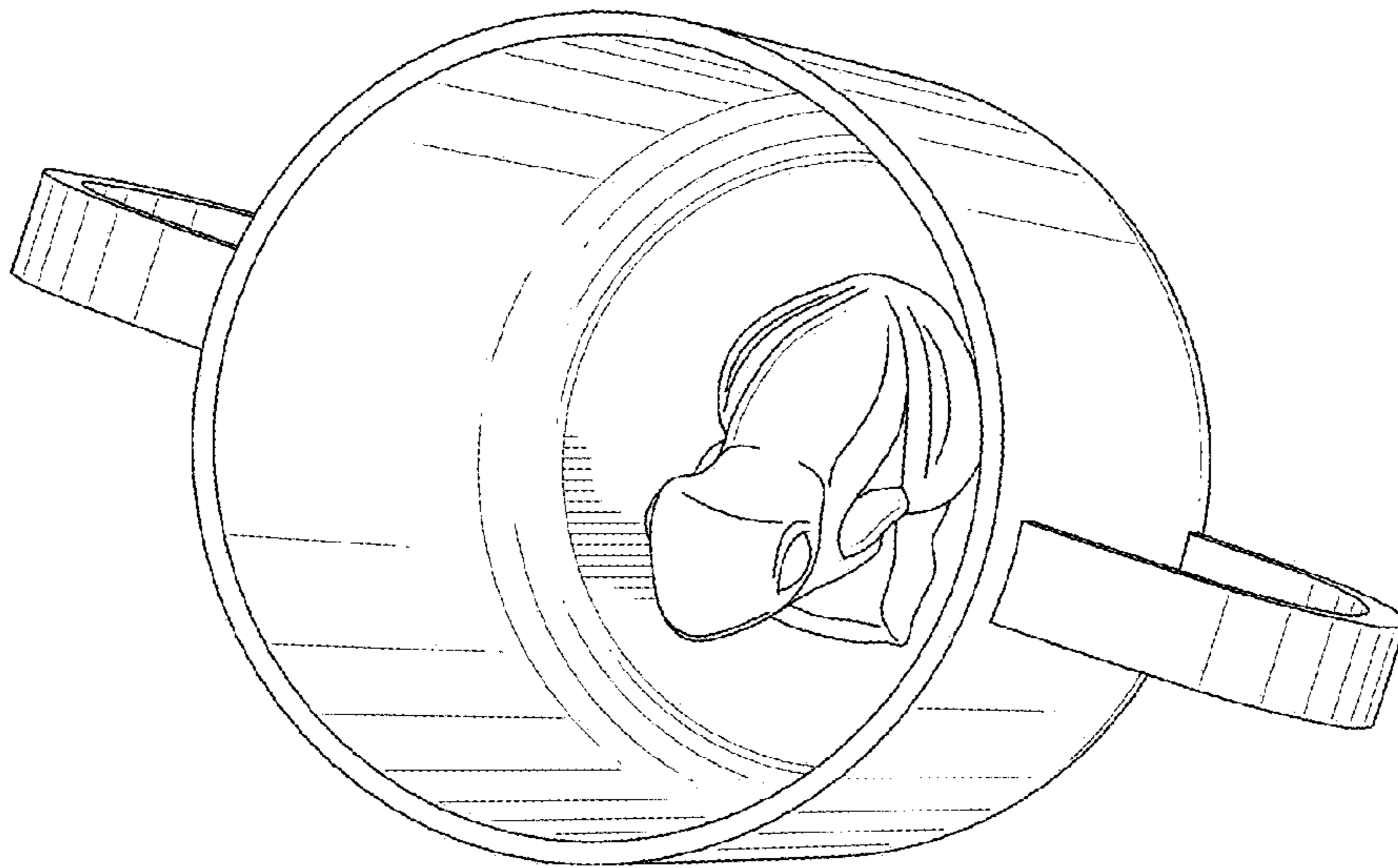


FIG. 8

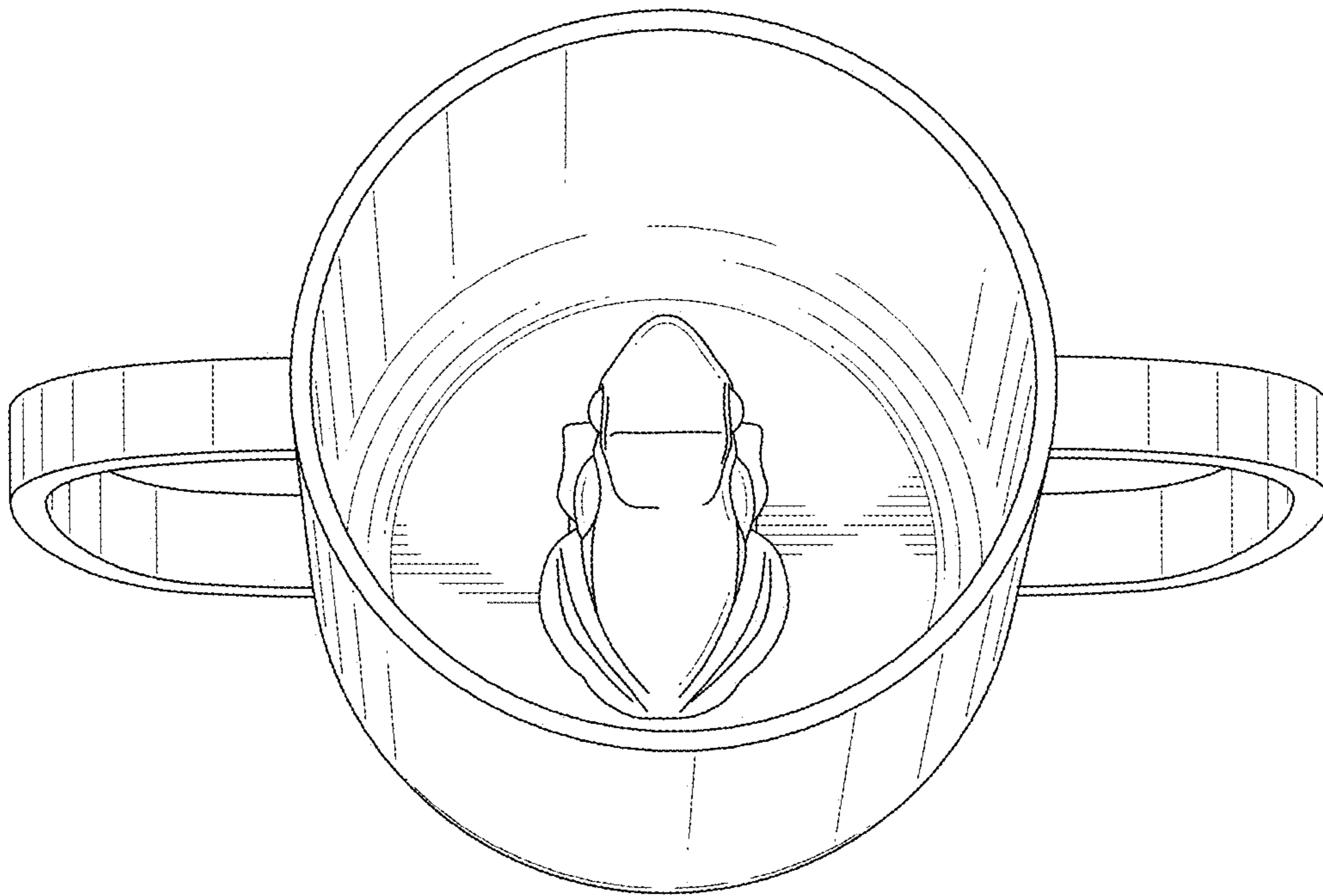


FIG. 9