



US00D730690S

(12) **United States Design Patent**
Cottam et al.

(10) **Patent No.:** **US D730,690 S**
(45) **Date of Patent:** **** Jun. 2, 2015**

(54) **MIXING PLOW SCRAPER**

(71) Applicants: **Steven Cottam**, Ivins, UT (US); **Phillip Dietz**, Saint George, UT (US)

(72) Inventors: **Steven Cottam**, Ivins, UT (US); **Phillip Dietz**, Saint George, UT (US)

(73) Assignee: **L'Chef**, St. George, UT (US)

(**) Term: **14 Years**

(21) Appl. No.: **29/484,756**

(22) Filed: **Mar. 12, 2014**

(51) **LOC (10) Cl.** **31-00**

(52) **U.S. Cl.**
USPC **D7/412**; D7/376; D7/378; D7/383;
D7/384

(58) **Field of Classification Search**
USPC D7/372, 376–386, 402, 412–413, 602,
D7/629, 665–666, 669, 679, 693–694;
D15/29, 138; D24/220; 99/509–511;
241/92, 98, 101.01–101.2, 166–169.1,
241/274–278.2, 285.1–285.3, 291, 292.1;
261/84; 366/64–65, 97–98, 100, 130,
366/197–201, 205–207, 219–220, 328.3,
366/341–343; 416/197 R
CPC A21C 1/02; A21C 1/04; A23N 1/00;
A23N 1/02; A47J 43/04; A47J 43/25; A47J
43/27; A47J 43/042; A47J 43/044; A47J
43/046; A47J 43/075; A47J 43/0722; A47J
43/0727; B01F 3/00; B01F 3/0478; B01F
3/0807; B01F 3/0853; B01F 7/00208; B01F
7/00275; B01F 7/00358; B01F 13/0059;
B01F 13/0064; B02C 1/08; B02C 2/04;
B02C 4/42; B02C 4/142; B02C 4/143; B02C
4/423; B02C 13/1835; B28C 5/10; B28C
5/12; B28C 5/14; B28C 5/16
See application file for complete search history.

(56) **References Cited**

U.S. PATENT DOCUMENTS

4,733,827	A	3/1988	Williams	
5,316,443	A *	5/1994	Smith	416/197 R
5,326,168	A *	7/1994	Miura	366/343
5,549,384	A	8/1996	Reynolds	
5,645,346	A	7/1997	Thuna	
5,934,802	A	8/1999	Xie	
6,082,648	A	7/2000	Marriere et al.	
6,532,863	B1	3/2003	Lee	
D503,588	S *	4/2005	Feil	D7/412
7,083,386	B2	8/2006	Horng et al.	
7,114,844	B2 *	10/2006	Weetman	366/328.3
D536,577	S	2/2007	Henry et al.	
D566,143	S *	4/2008	Rosso et al.	D15/138
D576,186	S *	9/2008	Rosso et al.	D15/138
D601,850	S *	10/2009	Ikuta	D7/412
7,641,380	B2	1/2010	Behar et al.	
7,708,257	B2 *	5/2010	Schmidt et al.	261/84
D618,056	S *	6/2010	Sly	D7/402
D633,334	S *	3/2011	Kaiser et al.	D7/379
D664,262	S *	7/2012	Khan	D24/220
D664,393	S *	7/2012	Dietz	D7/412
D681,690	S *	5/2013	Xia et al.	D15/29
2003/0063975	A1	4/2003	Horng et al.	

* cited by examiner

Primary Examiner — Ricky Pham
(74) *Attorney, Agent, or Firm* — Zachary D. Renstrom

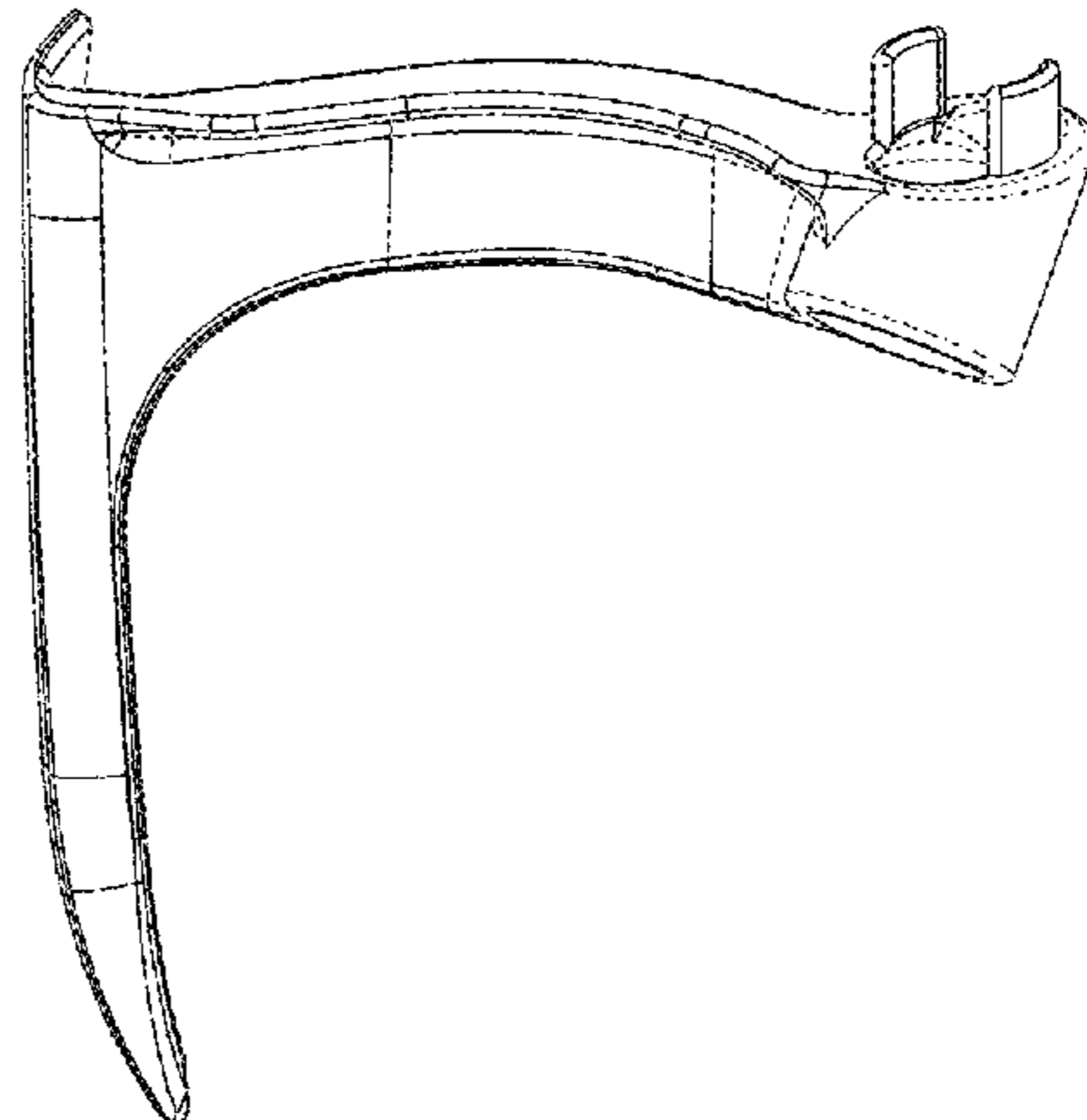
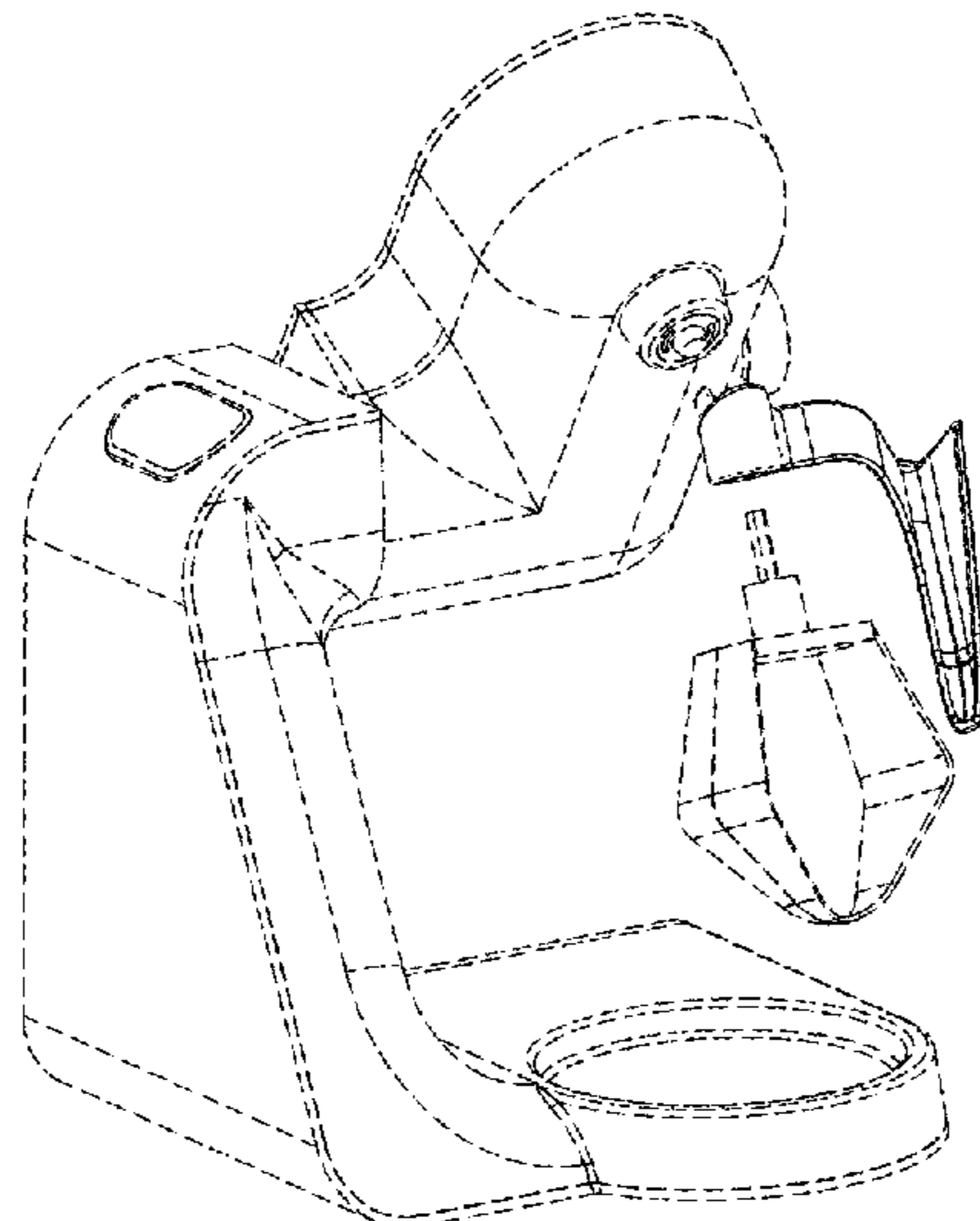
(57) **CLAIM**

The ornamental design for a mixing plow scraper, as shown and described.

DESCRIPTION

FIG. 1 is a front perspective view of a mixing plow scraper showing our new design
FIG. 2 is a top perspective view thereof;
FIG. 3 is an enlarged front elevational view thereof;
FIG. 4 is an enlarged back elevational view thereof; and,
FIG. 5 is a back elevational view thereof.
The broken lines shown in the drawings are for illustrative purposes only and form no part of the claimed design.

1 Claim, 3 Drawing Sheets



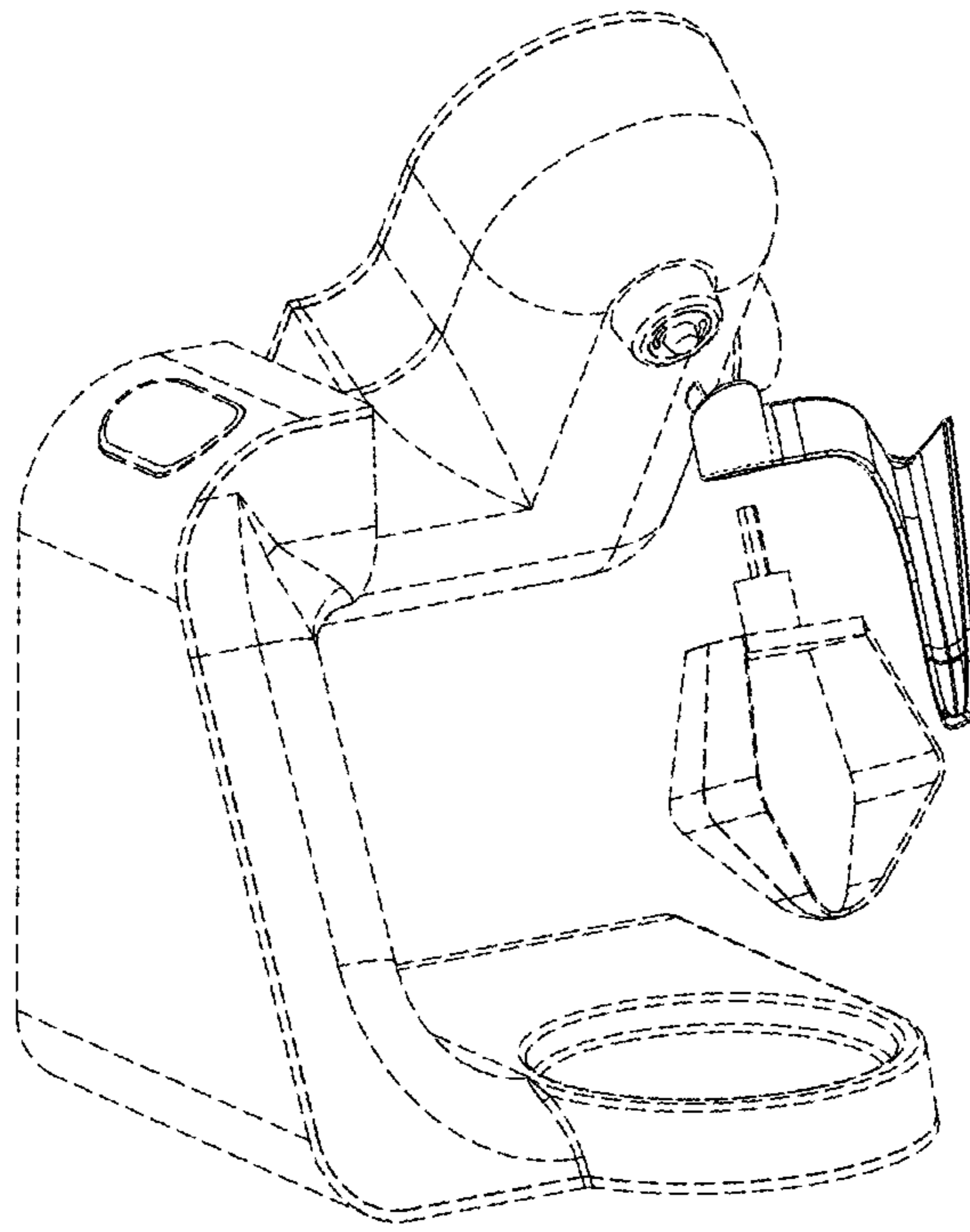


FIG. 1

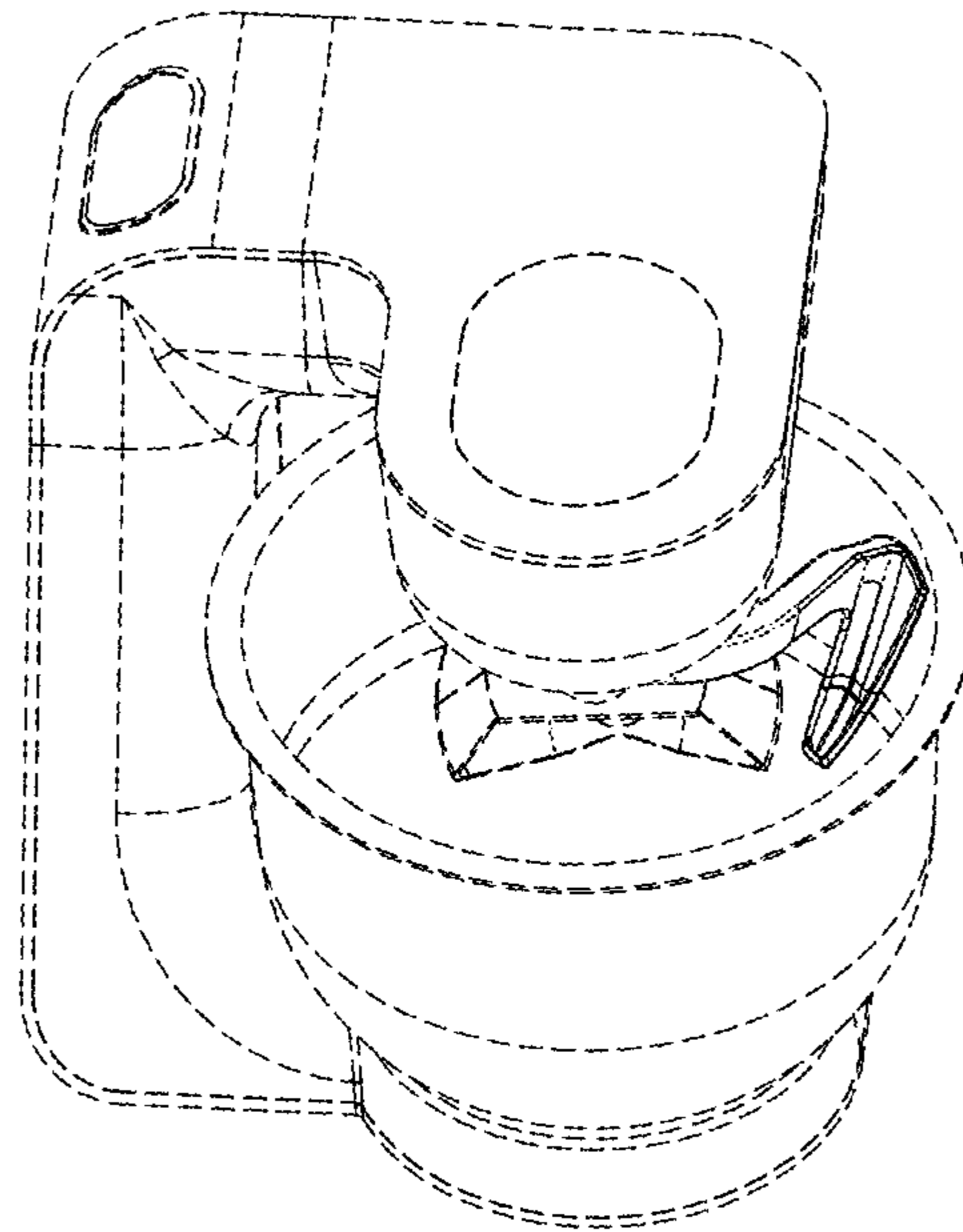


FIG. 2

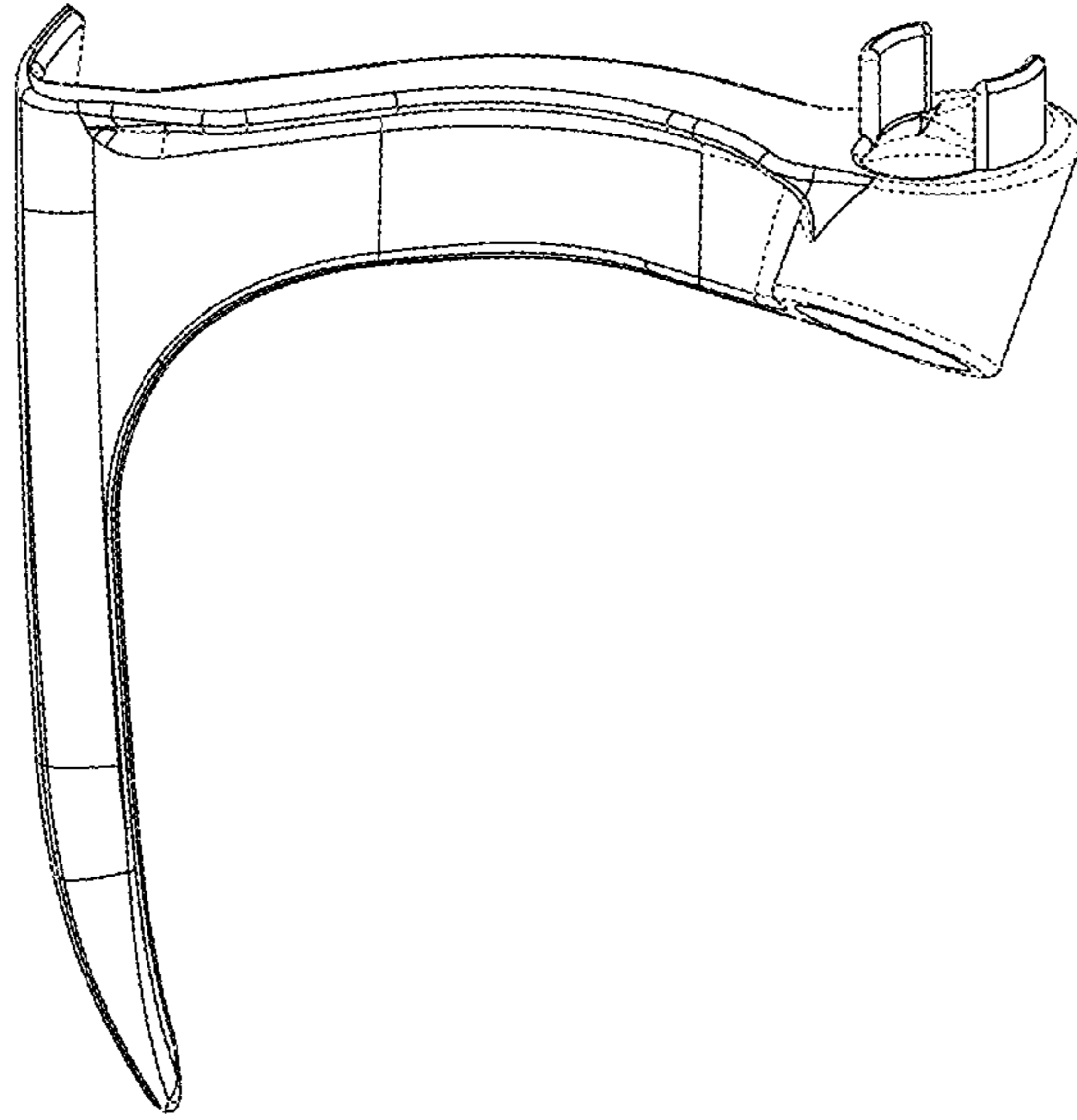


FIG. 3

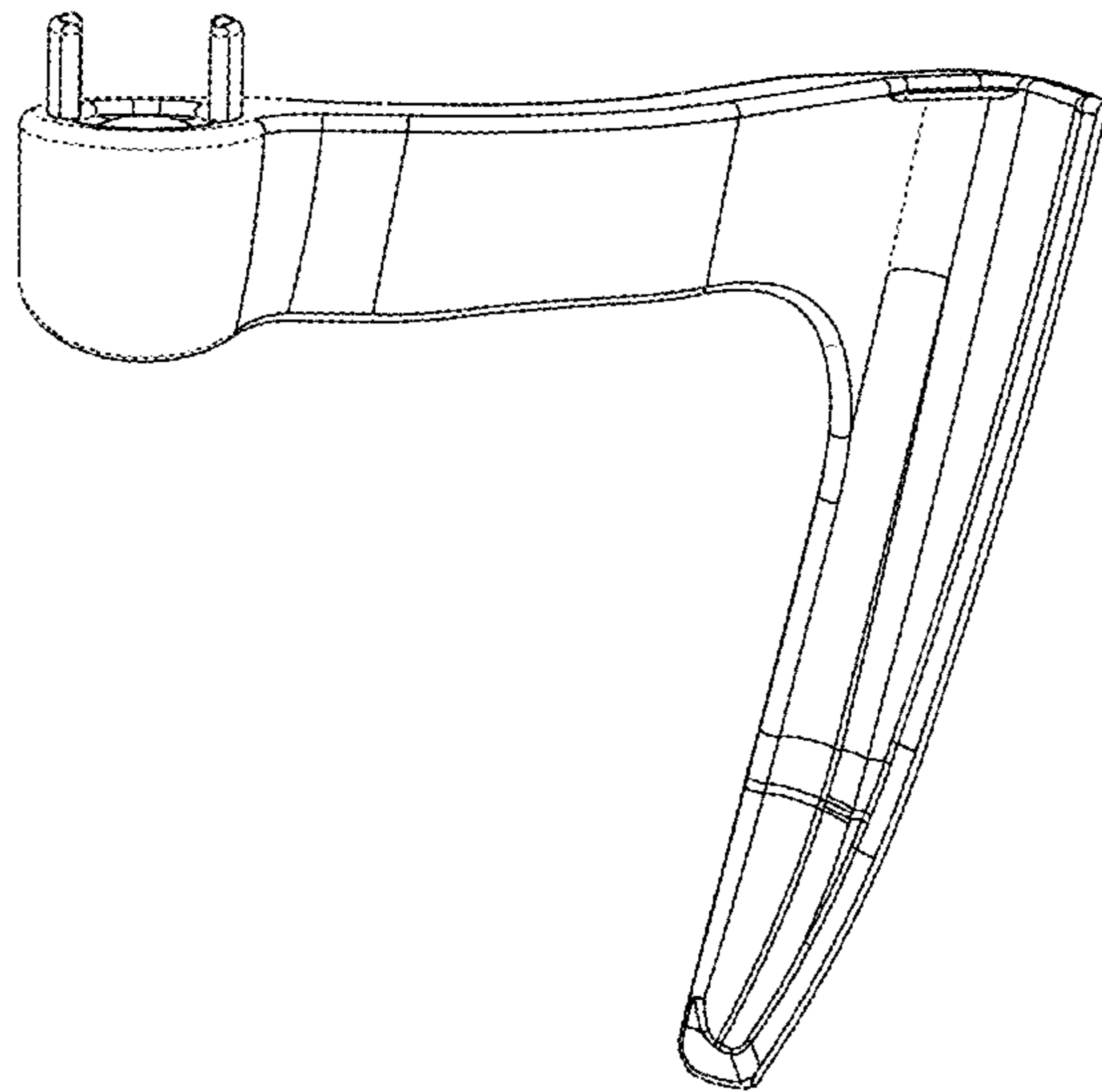


FIG. 4

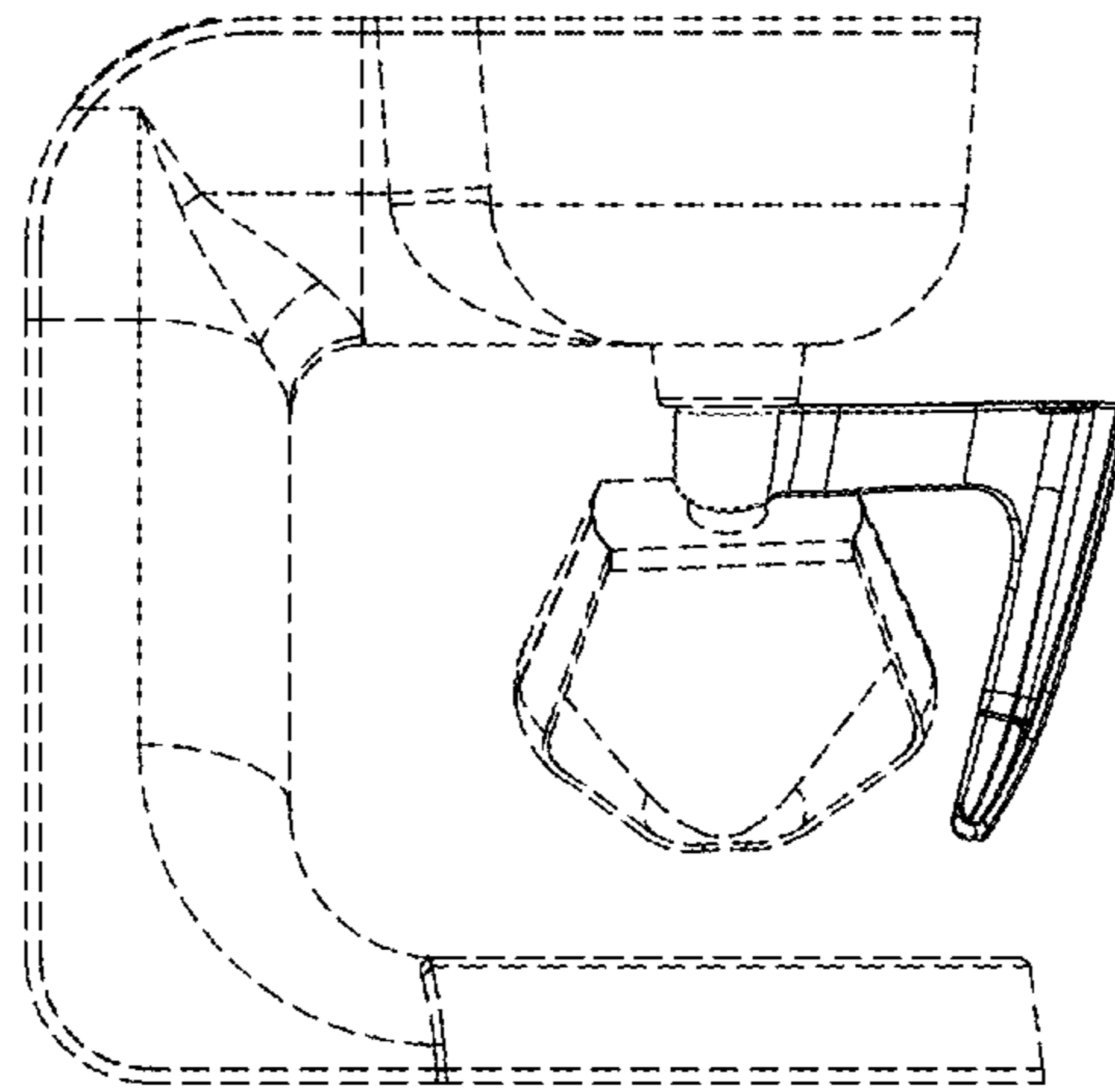


FIG. 5