

US00D730689S

(12) **United States Design Patent**
Bodum

(10) **Patent No.:** **US D730,689 S**
(45) **Date of Patent:** **** Jun. 2, 2015**

(54) **POTATO MASHER**

(71) Applicant: **Pi-Design AG**, Triengen (CH)

(72) Inventor: **Jørgen Bodum**, Meggen (CH)

(73) Assignee: **PI-DESIGN AG**, Triengen (CH)

(**) Term: **14 Years**

(21) Appl. No.: **29/453,549**

(22) Filed: **Apr. 30, 2013**

Related U.S. Application Data

(62) Division of application No. 29/416,674, filed on Mar. 26, 2012, now Pat. No. Des. 690,160.

Foreign Application Priority Data

Sep. 29, 2011 (WO) DM/077 038

(51) **LOC (10) Cl.** **31-00**

(52) **U.S. Cl.**
USPC **D7/412; D7/682**

(58) **Field of Classification Search**
USPC 261/87; D7/372, 379, 361, 393, 377,
D7/395, 412, 387, 383, 380, 376, 682;
366/265, 317, 605, 279, 330.1, 129,
366/165.3, 343, 325.11, 325.2; D12/214,
D12/207; 241/282.2, 169.2; D15/147;
D23/200; 7/110; 416/62
CPC ... A47J 43/0711; A47J 43/044; A47J 43/127;
A47J 43/00; A47J 43/04; A47J 43/10; A47J
43/1006; A47J 43/1075; A47J 43/1087;
A47J 2043/04427; A47J 19/04; A47J 19/00;
A47J 19/02; A47J 19/005; A47J 19/06;
B01F 7/164
See application file for complete search history.

(56) **References Cited**

U.S. PATENT DOCUMENTS

2,753,160	A	7/1956	Gunn, Sr.	
3,640,641	A	2/1972	Fitzhugh	
D235,304	S *	6/1975	Greenberg	D7/682
D319,946	S *	9/1991	Barrault	D7/412
D341,608	S *	11/1993	Fries	D15/147
5,368,384	A *	11/1994	Duncan et al.	366/129
D369,944	S *	5/1996	Cartellone	D7/412
D398,809	S *	9/1998	Henderson	D7/376
5,810,472	A *	9/1998	Penaranda et al.	366/129
D399,103	S *	10/1998	Lillelund et al.	D7/682

(Continued)

FOREIGN PATENT DOCUMENTS

CN	201578105	U	9/2010
EP	1 182 954	B1	10/2005

(Continued)

OTHER PUBLICATIONS

Bodum-catalogue 2010, p. 152 (including images showing an enlarged version of the blender stick).

Primary Examiner — Ian Simmons
Assistant Examiner — Shannon Morgan
(74) *Attorney, Agent, or Firm* — Sughrue Mion, PLLC

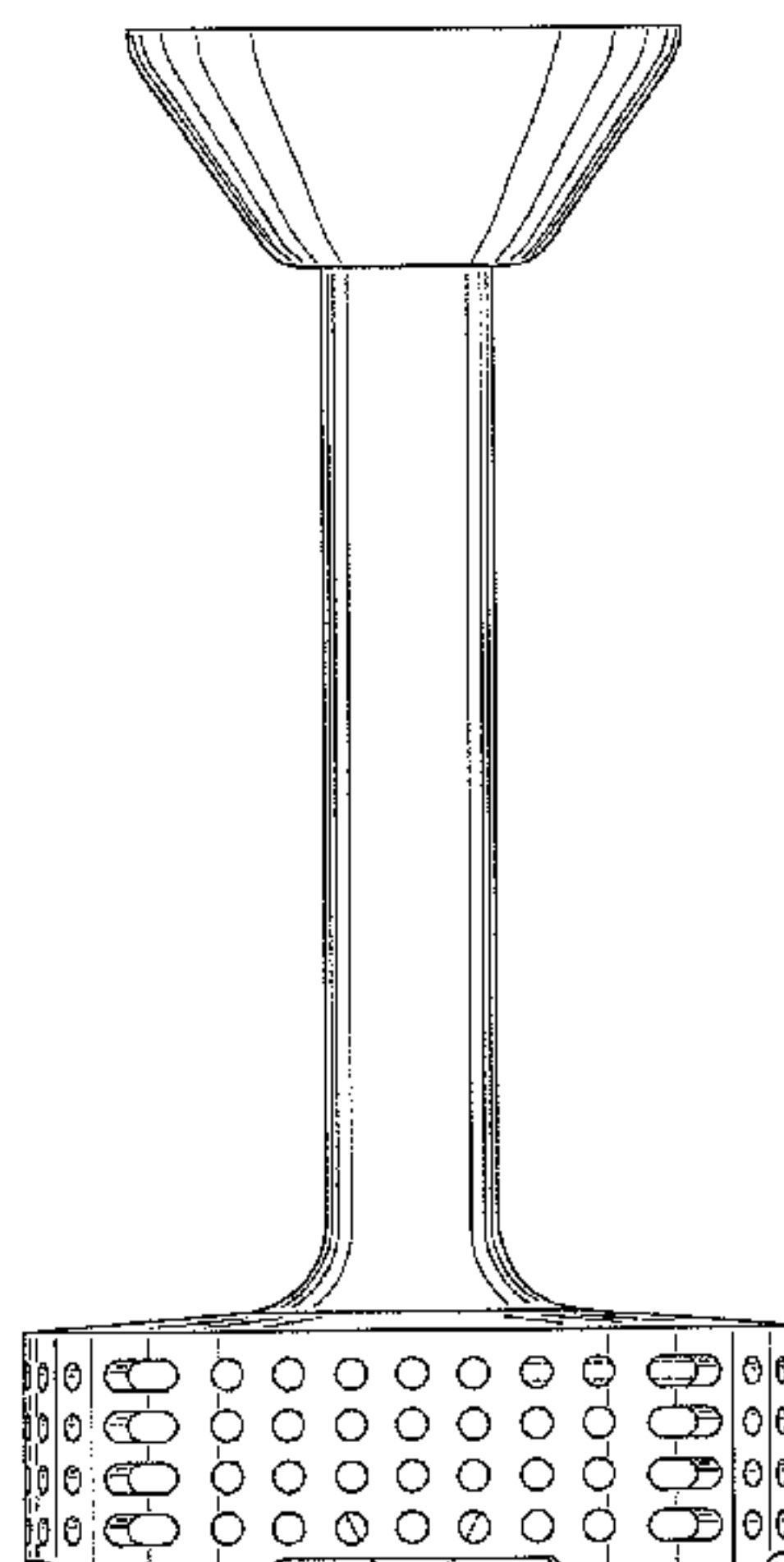
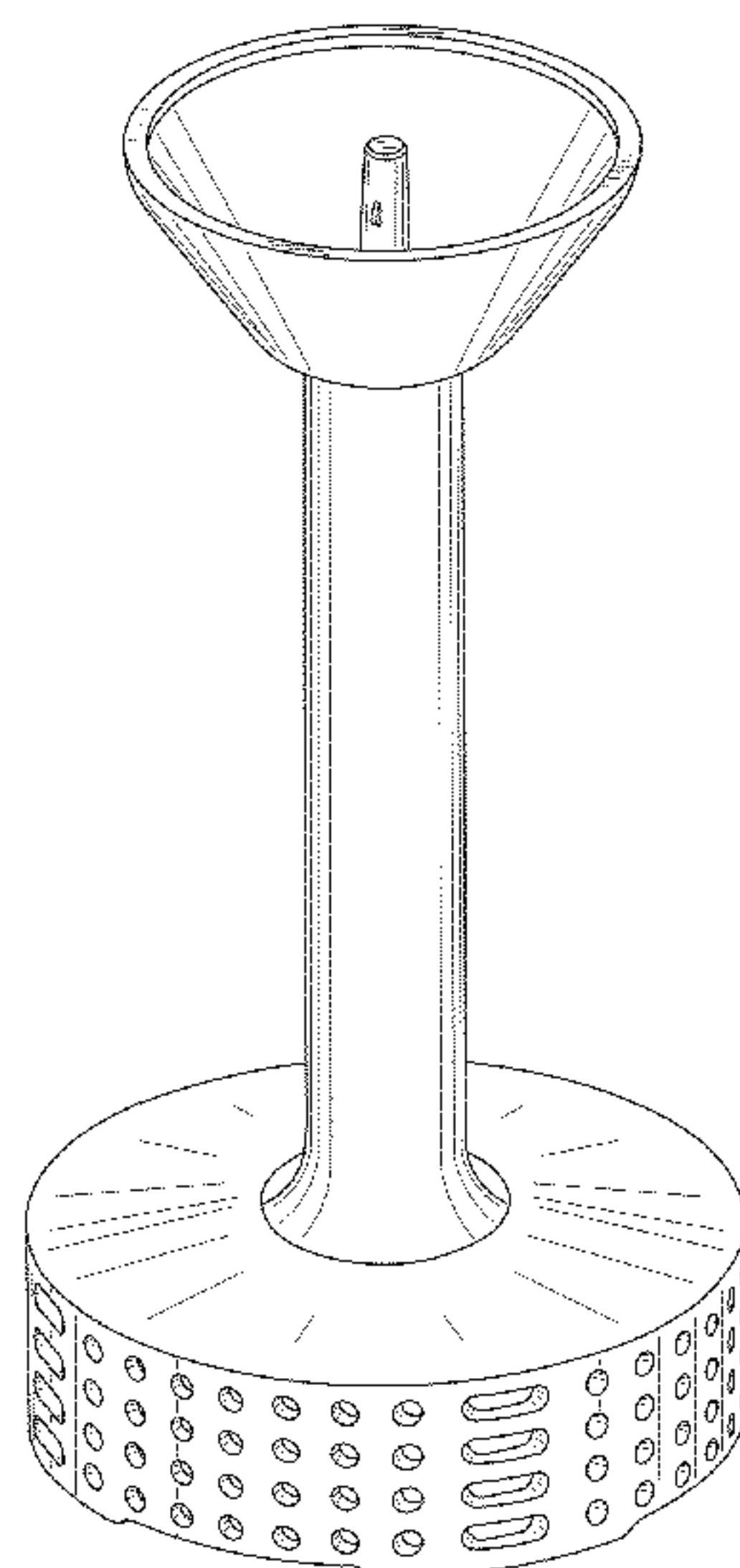
(57) **CLAIM**

The ornamental design for a potato masher, as shown and described.

DESCRIPTION

FIG. 1 is a perspective view of a potato masher showing my new design;
FIG. 2 is a front side view thereof;
FIG. 3 is a back side view thereof;
FIG. 4 is a right side view thereof;
FIG. 5 is a left side view thereof;
FIG. 6 is a top view thereof; and,
FIG. 7 is a bottom view thereof.

1 Claim, 7 Drawing Sheets



(56)

References Cited

U.S. PATENT DOCUMENTS

D400,756	S *	11/1998	Henderson	D7/376
D404,253	S *	1/1999	Littmann	D7/412
D431,627	S	10/2000	Etschel et al.		
6,454,455	B1	9/2002	Jungvig		
D485,729	S *	1/2004	Patton et al.	D7/379
D510,837	S *	10/2005	Lloyd et al.	D7/376
6,974,244	B1 *	12/2005	Lin	366/129
7,866,879	B2 *	1/2011	Moschetti	366/129
D644,479	S	9/2011	Lownds et al.		
D656,359	S	3/2012	Stein		
D668,099	S *	10/2012	Ferraby	D7/380
D690,160	S *	9/2013	Bodum	D7/412
D696,561	S *	12/2013	Sacro	D7/669

2002/0034121	A1 *	3/2002	Rebordosa et al.	366/129
2005/0029685	A1 *	2/2005	Zhao	261/87
2008/0043569	A1 *	2/2008	Moschetti	366/279
2008/0080304	A1 *	4/2008	Sakamoto et al.	366/165.3
2010/0163659	A1 *	7/2010	Park	241/169.2
2012/0080295	A1 *	4/2012	Stenglein et al.	200/50.32
2013/0200185	A1 *	8/2013	Wilson	241/27

FOREIGN PATENT DOCUMENTS

GB	1050352	12/1966
GB	2456538 A	7/2009
WO	DM/072 272	9/2009
WO	2010/122285 A2	10/2010

* cited by examiner

FIG. 1

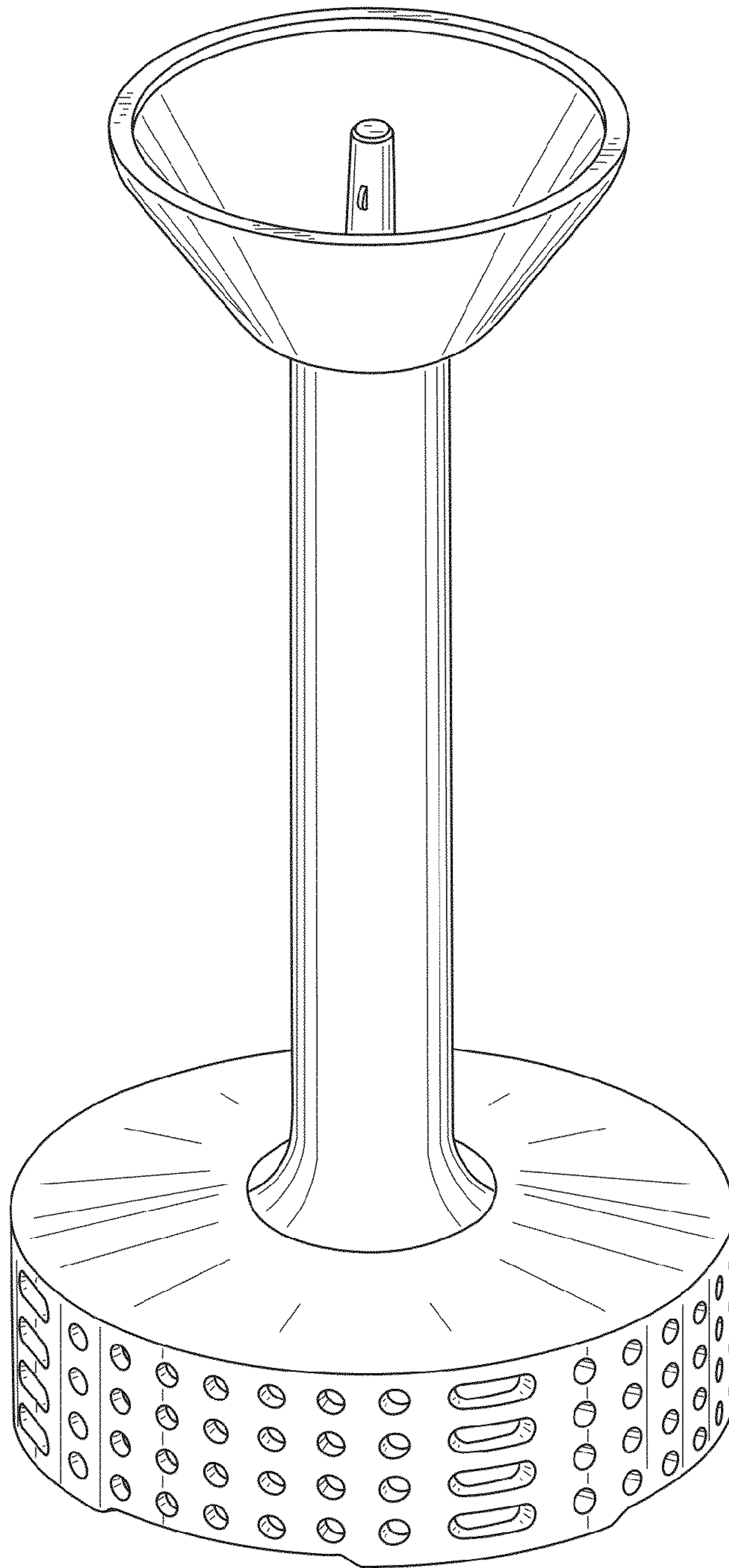


FIG. 2

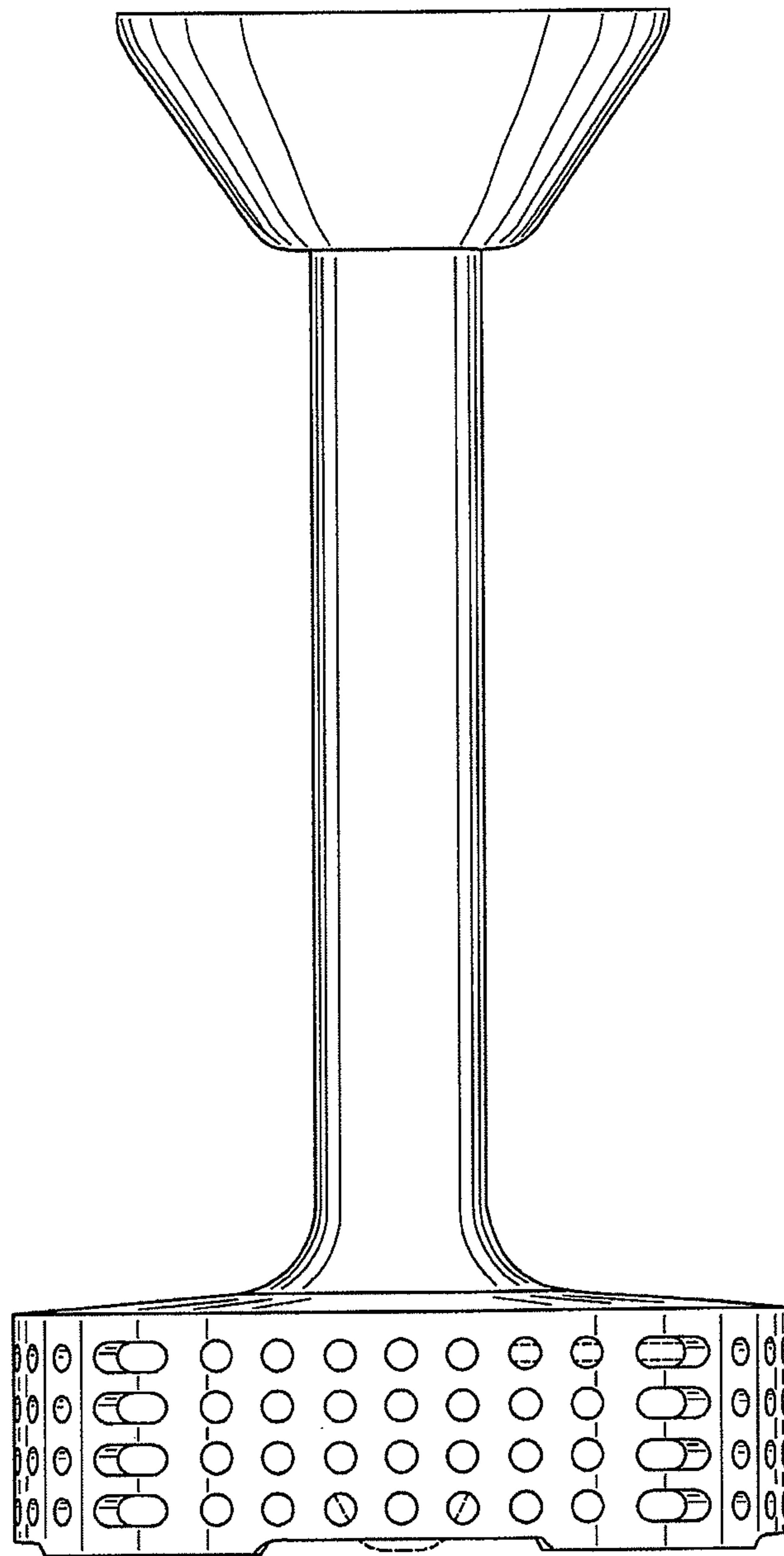


FIG. 3

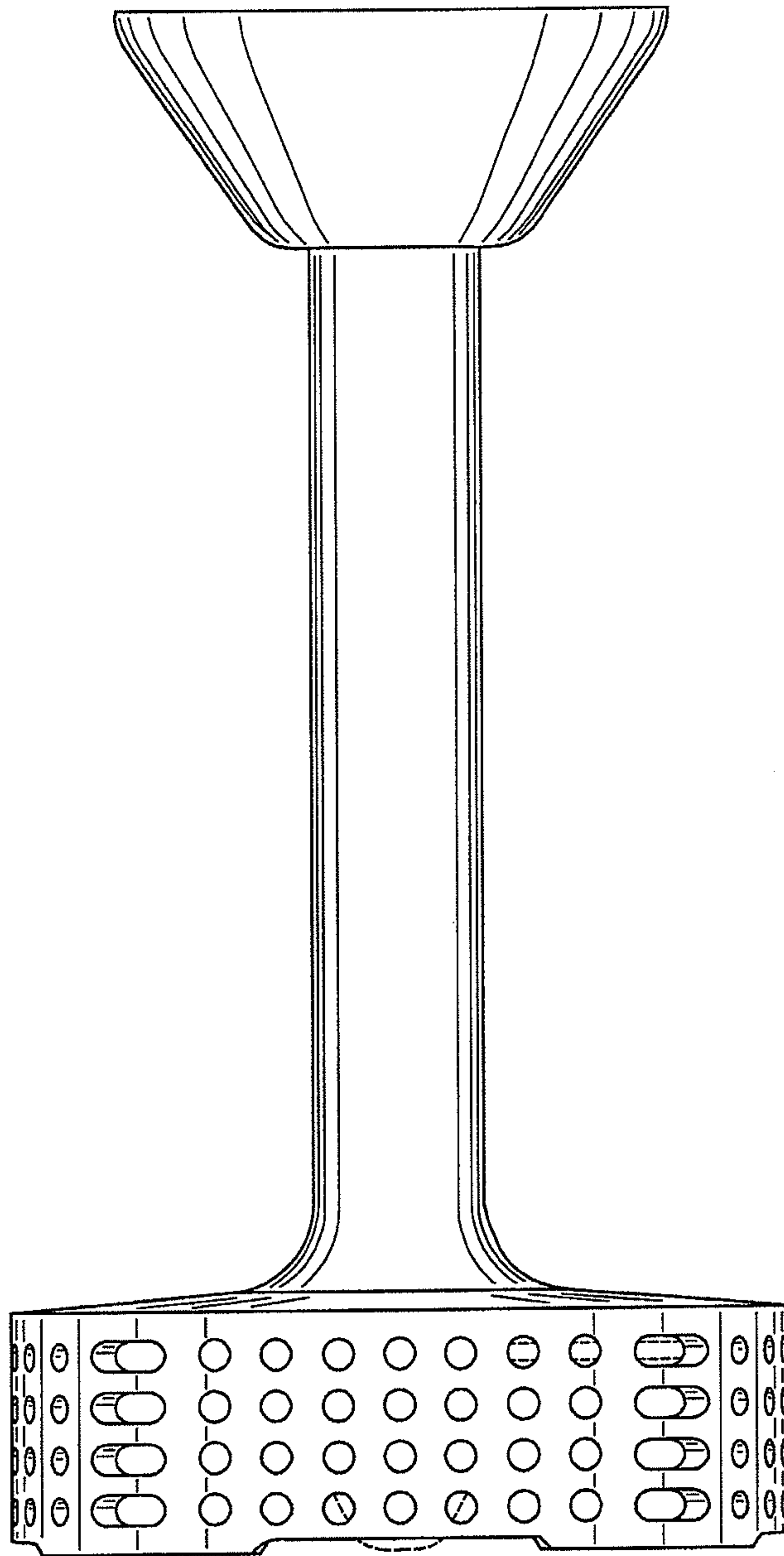


FIG. 4

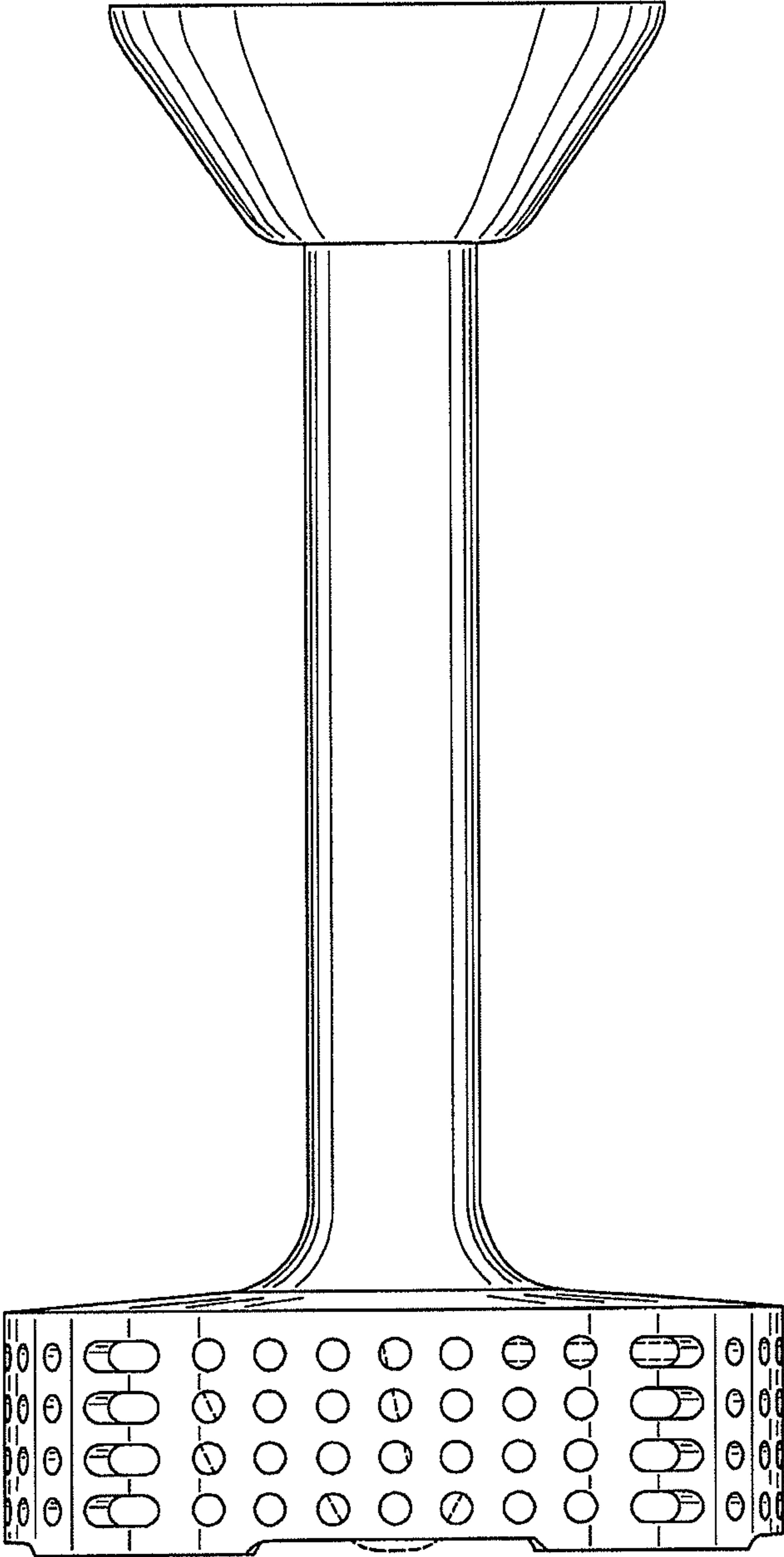


FIG. 5

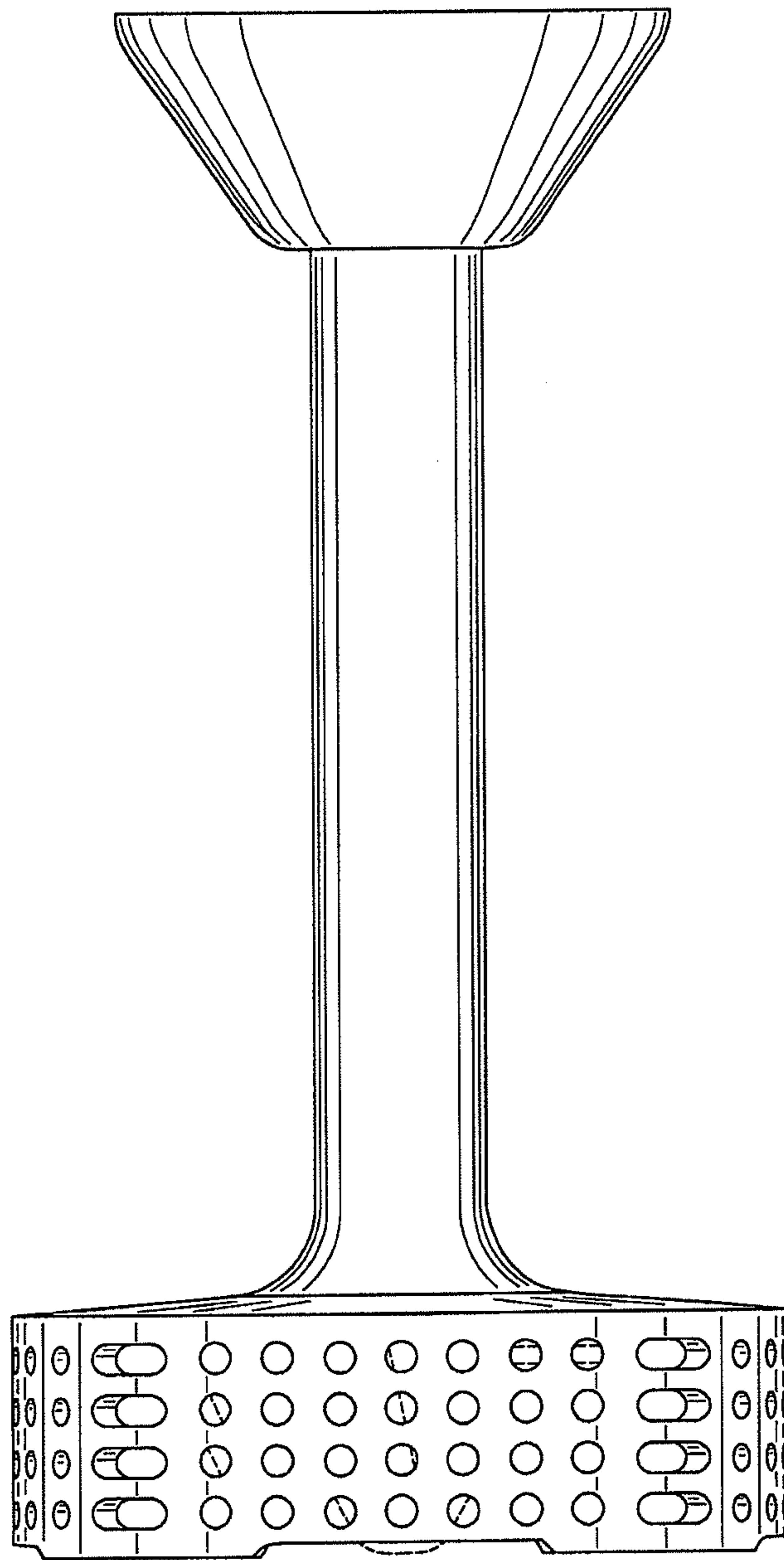


FIG. 6

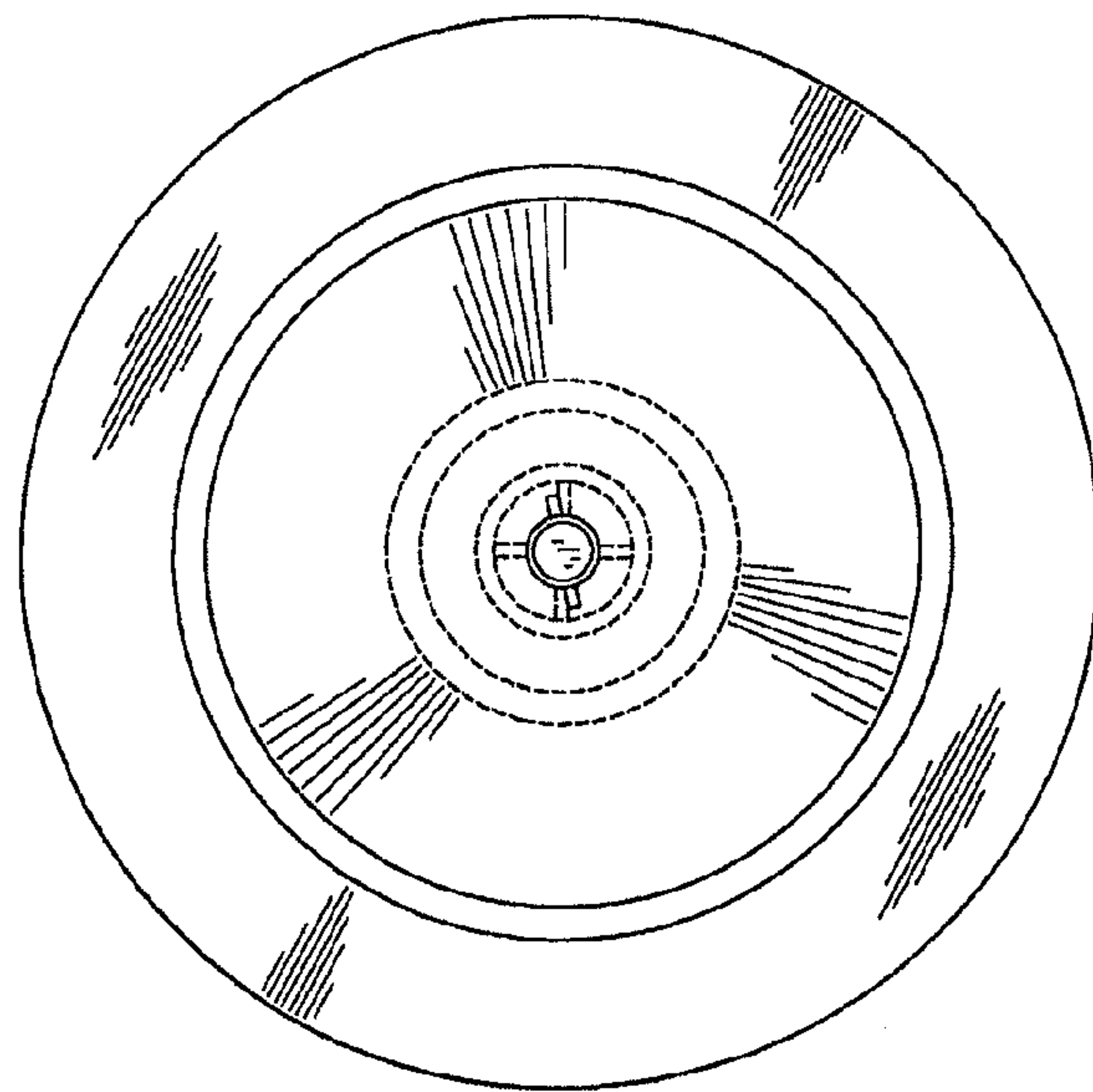


FIG. 7

