



US00D730688S

(12) **United States Design Patent**
Teng

(10) **Patent No.:** **US D730,688 S**
(45) **Date of Patent:** **** Jun. 2, 2015**

- (54) **BEVERAGE INFUSER**
- (71) Applicant: **Eric Teng**, Gold River, CA (US)
- (72) Inventor: **Eric Teng**, Gold River, CA (US)
- (**) Term: **14 Years**
- (21) Appl. No.: **29/481,484**
- (22) Filed: **Feb. 6, 2014**
- (51) **LOC (10) Cl.** **07-99**
- (52) **U.S. Cl.**
USPC **D7/400; D7/399; D7/678**
- (58) **Field of Classification Search**
USPC D7/399, 400, 401, 387, 700, 667, 669,
D7/668, 512, 619, 608, 392, 678, 547, 368,
D7/302; D9/428, 440, 424, 439; 99/323,
99/316, 317; 220/254.6; 426/435, 80, 77,
426/553; 210/464, 473, 482; 4/290;
206/216
CPC A47J 31/005; A47J 31/06; A47J 31/00;
A47G 19/16; A47G 19/14; A23F 5/26;
A23F 3/18; B65D 51/18; B65D 81/34; B65B
29/02; B29C 51/10; B29C 51/32; B26F 1/02
See application file for complete search history.

(56) **References Cited**

U.S. PATENT DOCUMENTS

2,313,977	A *	3/1943	Takach	30/326
D350,257	S *	9/1994	Breur et al.	D7/400
D440,115	S *	4/2001	Kennedy, III	D7/400
D485,122	S *	1/2004	Multari	D7/400
D574,185	S *	8/2008	Khalifa	D7/400
D604,124	S *	11/2009	Smith et al.	D7/678
D613,114	S *	4/2010	Hewitt	D7/400
D629,263	S *	12/2010	Pico et al.	D7/654

D636,234	S *	4/2011	Lion et al.	D7/683
D661,163	S *	6/2012	Reeb	D7/653
D662,786	S *	7/2012	Huang	D7/643
D666,463	S *	9/2012	Smith et al.	D7/678
D688,923	S *	9/2013	Evans et al.	D7/669
D699,523	S *	2/2014	McGuyer et al.	D7/678
D706,587	S *	6/2014	Holding et al.	D7/692
D715,137	S *	10/2014	Ward	D8/402
D718,098	S *	11/2014	Cheney	D7/695
2009/0081333	A1 *	3/2009	Chizinsky	426/79
2010/0295328	A1 *	11/2010	Fiorino	294/137
2010/0326848	A1 *	12/2010	Mangin et al.	206/216
2011/0183042	A1	7/2011	Teng		
2012/0107455	A1 *	5/2012	Briggs	426/78
2014/0053736	A1 *	2/2014	Simontov et al.	99/323

* cited by examiner

Primary Examiner — Marianne Pandozzi
Assistant Examiner — Jae Liang
(74) *Attorney, Agent, or Firm* — Law Offices of David M. Lang; David M. Lang

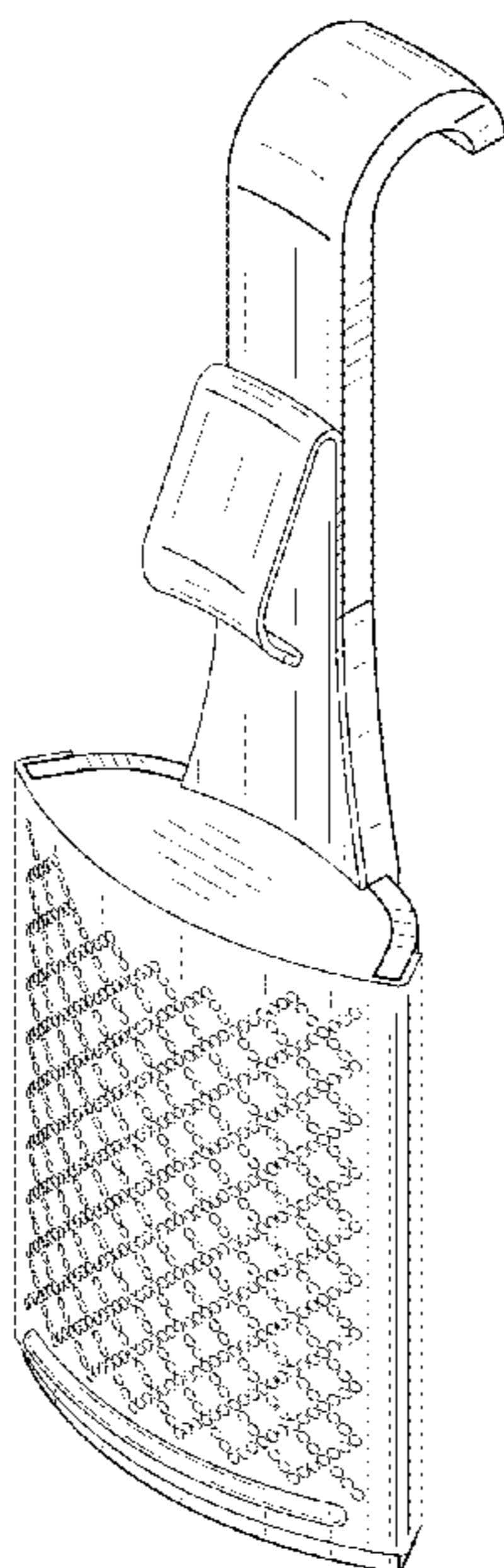
(57) **CLAIM**

The ornamental design for a beverage infuser, as shown and described.

DESCRIPTION

FIG. 1 is a top perspective view of a beverage infuser showing my new design;
FIG. 2 is a bottom perspective view thereof;
FIG. 3 is a top view thereof;
FIG. 4 is a bottom view thereof;
FIG. 5 is a side elevation view thereof, the opposite side being a mirror image;
FIG. 6 is a rear view thereof; and,
FIG. 7 is a front view thereof.

1 Claim, 3 Drawing Sheets



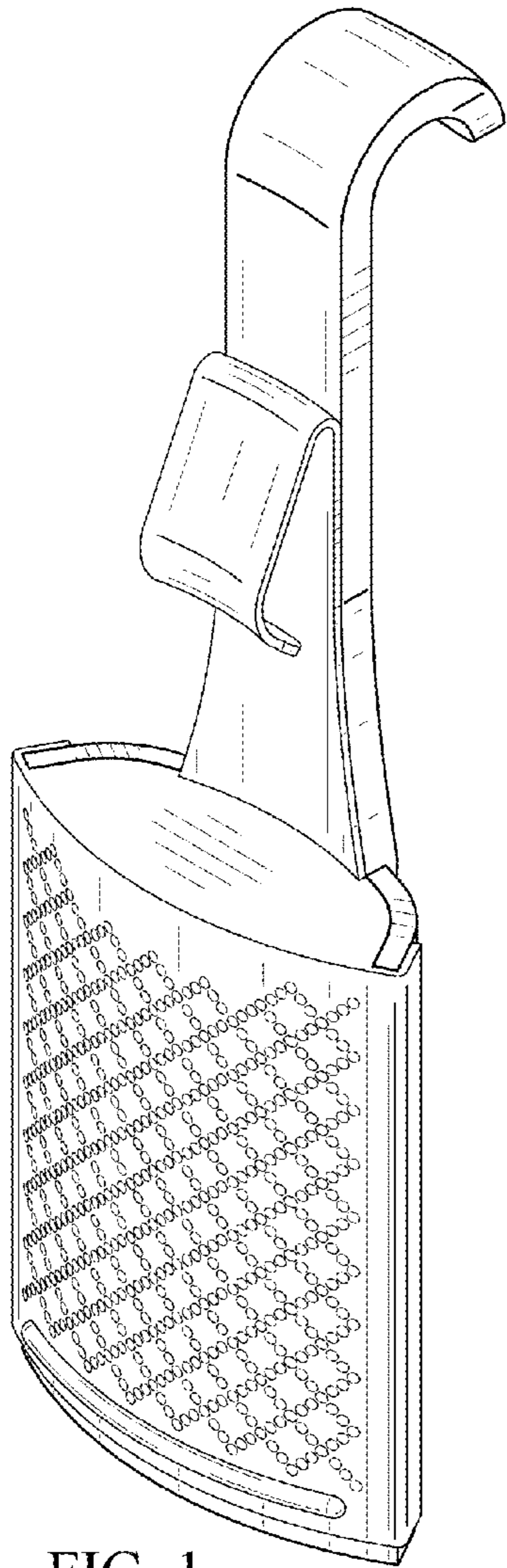


FIG. 1

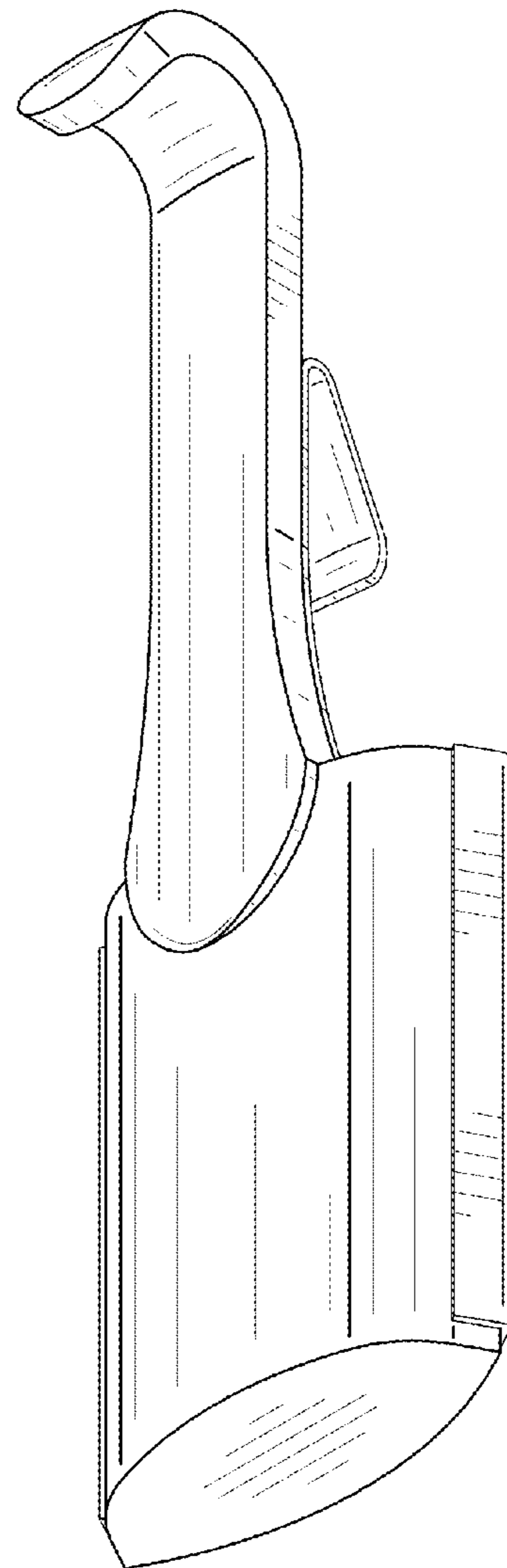


FIG. 2

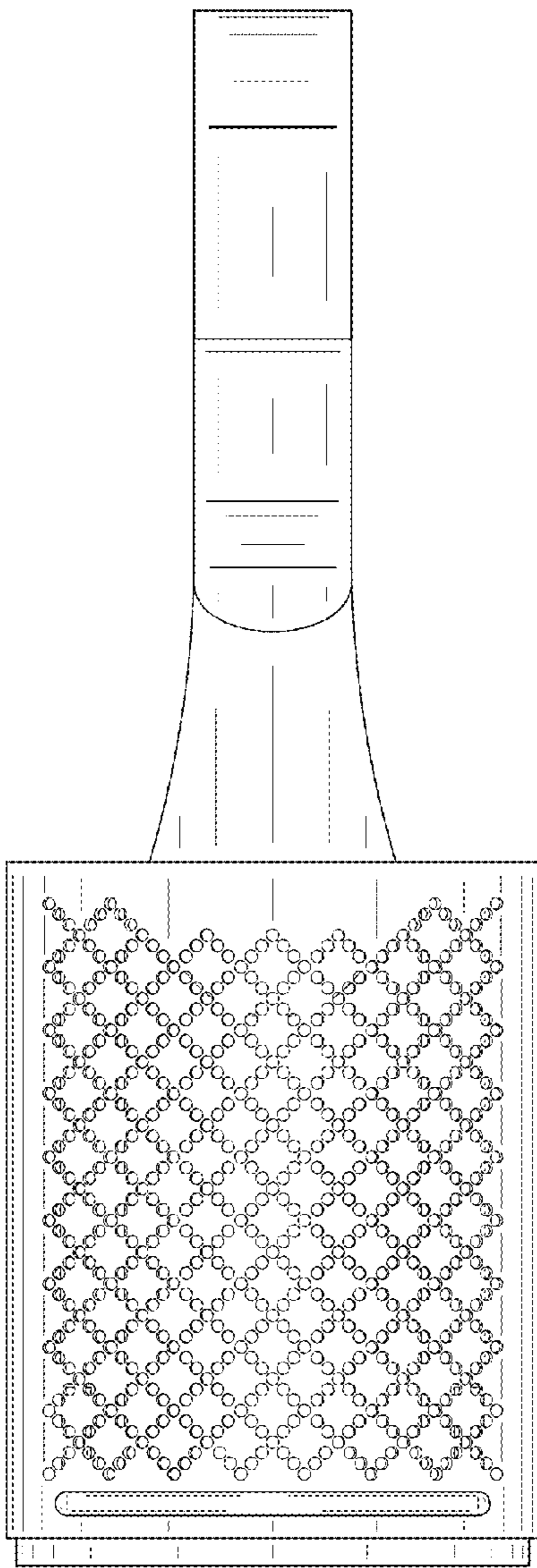


FIG. 3

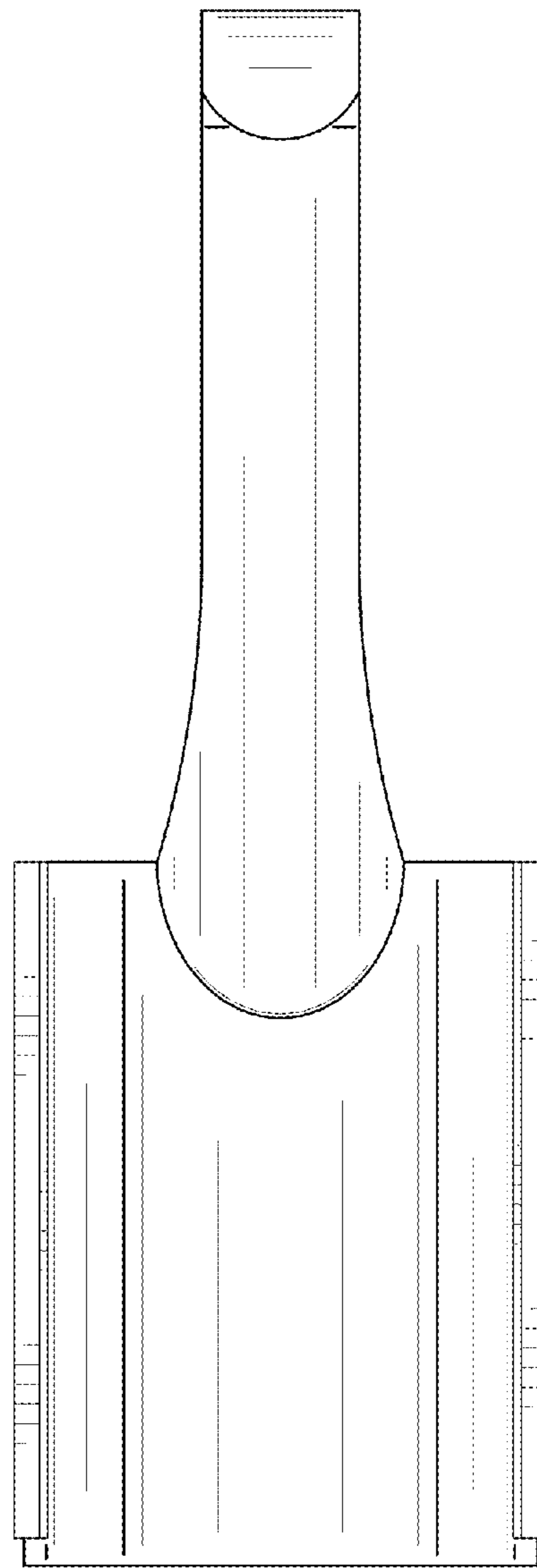


FIG. 4

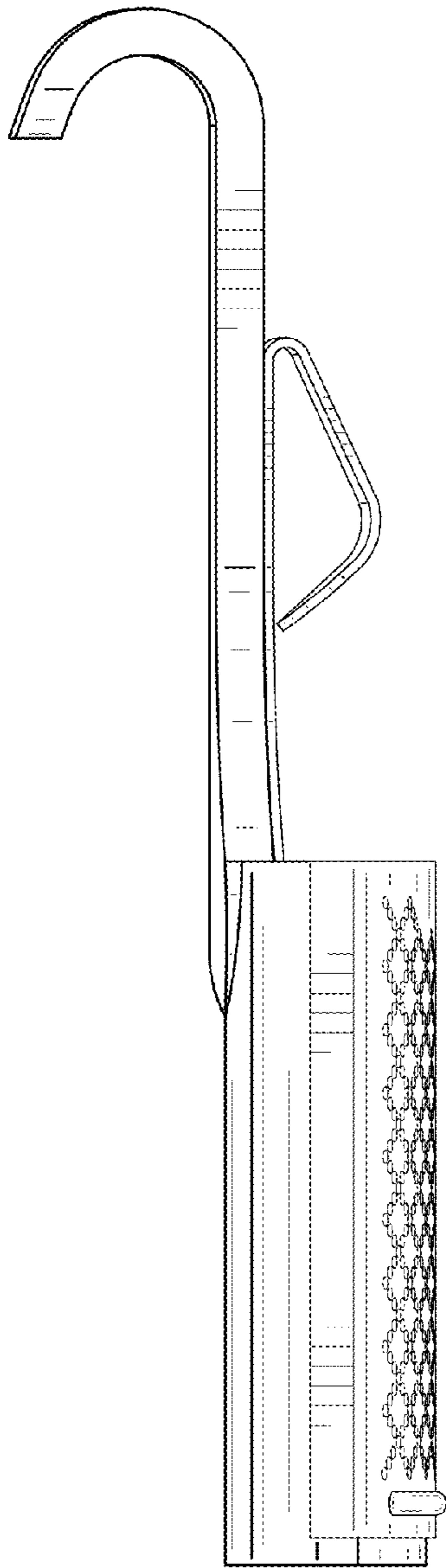


FIG. 5

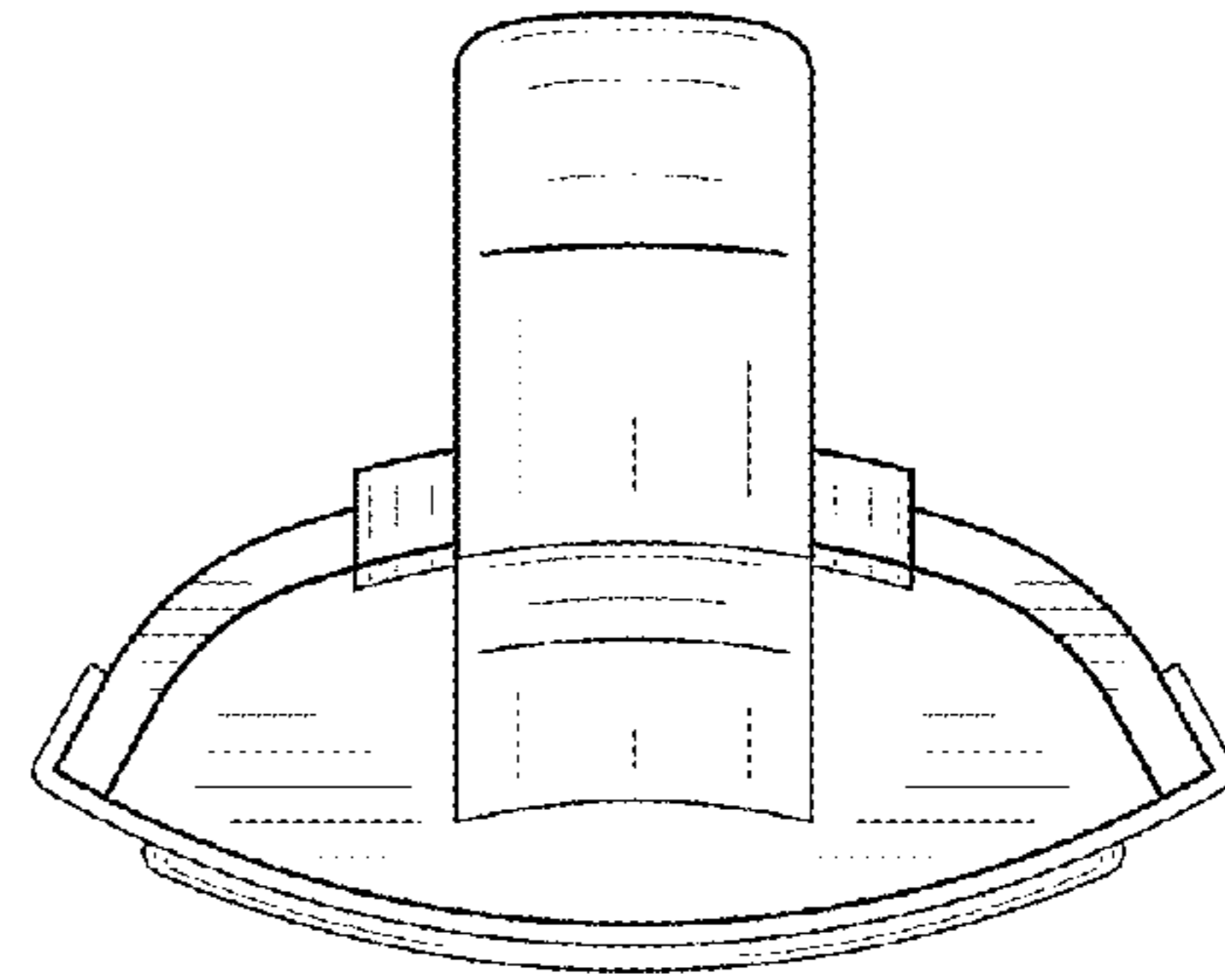


FIG. 6

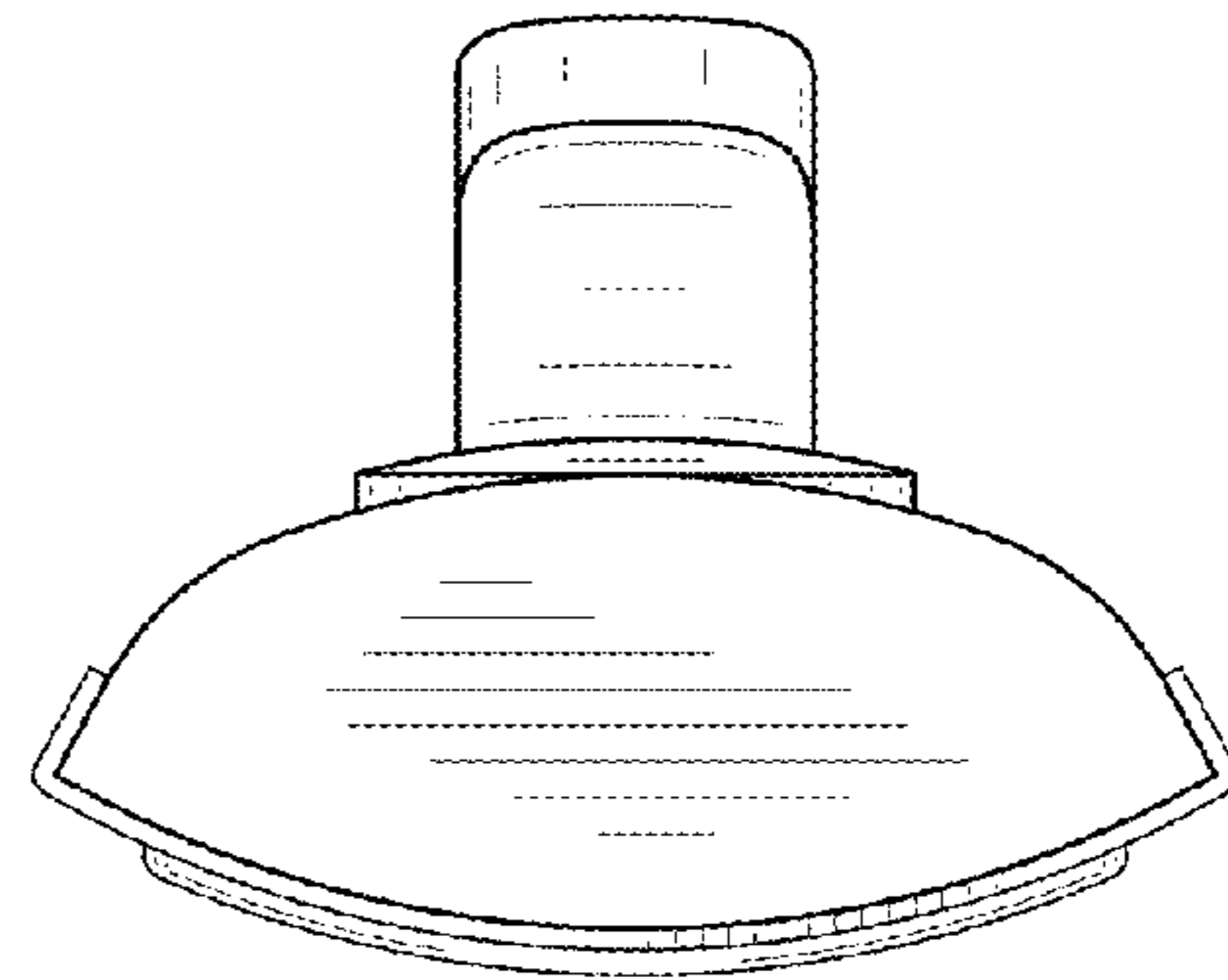


FIG. 7