



US00D730686S

(12) **United States Design Patent**  
**Barberi**

(10) **Patent No.:** **US D730,686 S**  
(45) **Date of Patent:** **\*\* Jun. 2, 2015**

(54) **ELONGATED SIDE HANDLE FOR COOKWARE**

(71) Applicant: **Meyer Intellectual Properties Limited**,  
Kowloon (HK)

(72) Inventor: **Philip D. Barberi**, San Ramon, CA (US)

(73) Assignee: **Meyer Intellectual Properties Limited**  
(VG)

(\*\*) Term: **14 Years**

(21) Appl. No.: **29/499,469**

(22) Filed: **Aug. 15, 2014**

(51) **LOC (10) Cl.** ..... **07-02**

(52) **U.S. Cl.**  
USPC ..... **D7/395**

(58) **Field of Classification Search**  
USPC ..... D7/354-361, 393-395, 401.2, 664;  
D8/107, 300, 303, 307, 313, 321;  
D4/138, 129; 16/421, 430, 431, 110.1,  
16/407; 220/573.1-573.5, 752, 753, 755,  
220/756, 759, 767, 771, 912  
CPC .. A47J 45/071; A47J 45/072; B65D 25/2802;  
B65D 25/2882; B65D 25/2888; B65D  
25/2894; Y10S 220/912  
See application file for complete search history.

(56) **References Cited**

**U.S. PATENT DOCUMENTS**

D510,233 S \* 10/2005 Giannone ..... D7/395  
D525,081 S \* 7/2006 Munari ..... D7/395  
D562,063 S \* 2/2008 Munari ..... D7/395  
D578,824 S \* 10/2008 Munari et al. .... D7/393  
D629,647 S \* 12/2010 Munari ..... D7/395

D654,307 S \* 2/2012 Loaiza ..... D7/395  
D686,874 S \* 7/2013 Rae ..... D7/395  
D692,721 S \* 11/2013 Rae ..... D7/395  
D702,491 S \* 4/2014 Lo ..... D7/395

\* cited by examiner

*Primary Examiner* — Cynthia M Chin

(74) *Attorney, Agent, or Firm* — Miller Canfield

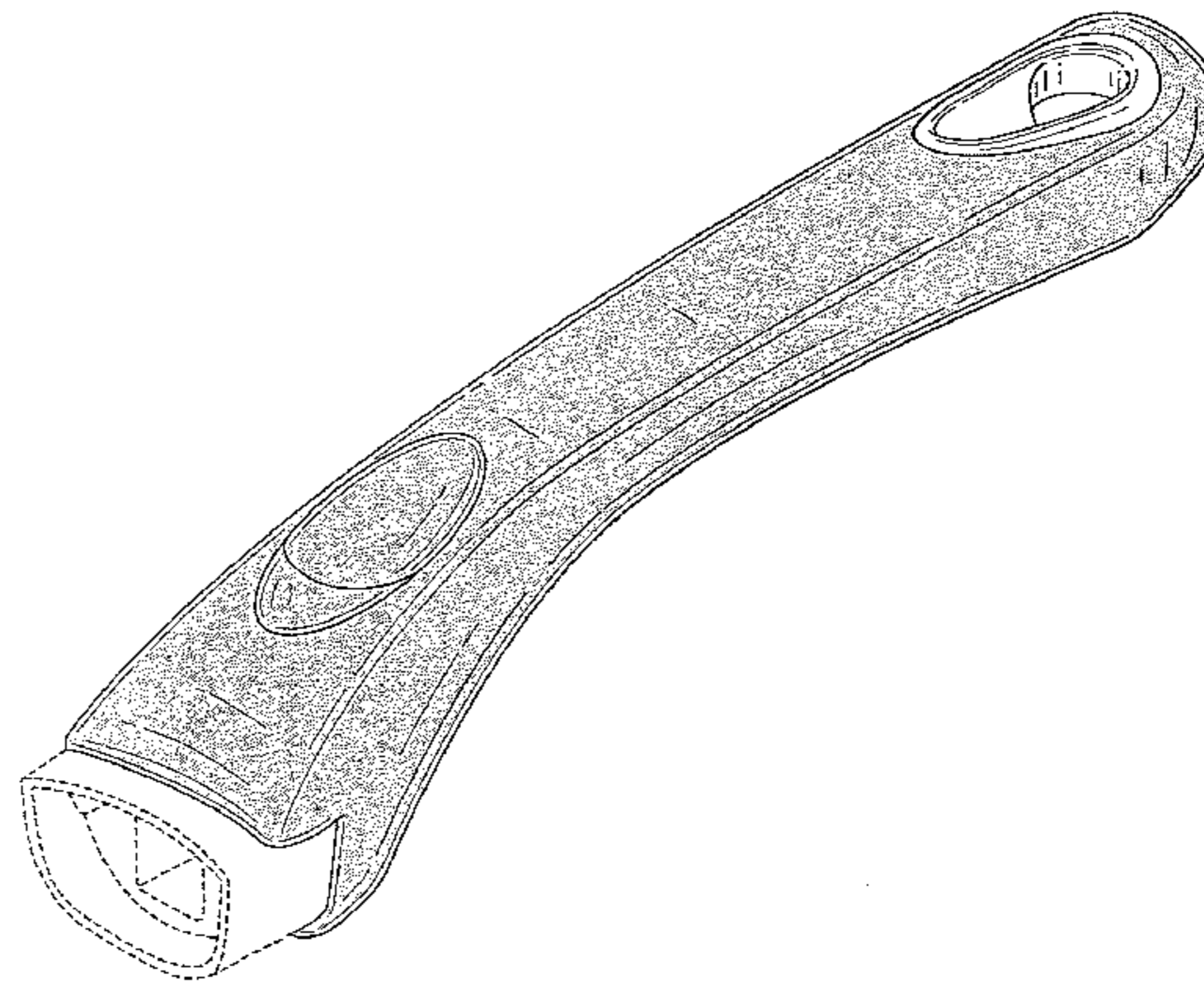
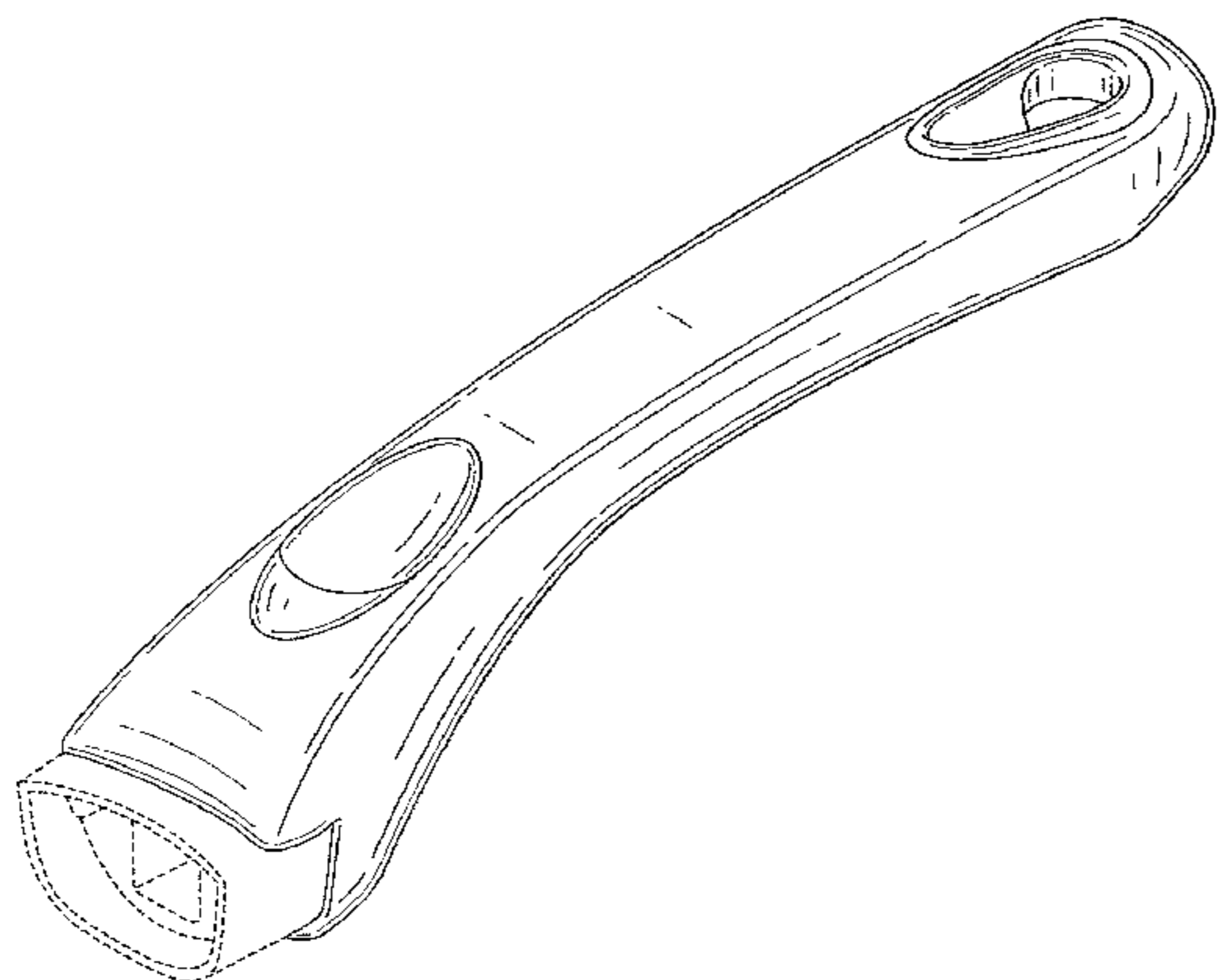
(57) **CLAIM**

The ornamental design for an elongated side handle for cookware, as shown and described.

**DESCRIPTION**

FIG. 1 is a perspective view of a first embodiment of the elongated side handle for cookware showing my new design; FIG. 2 is a right side elevation view thereof; the left side elevation view being the mirror image thereof; FIG. 3 is a top plan view thereof; FIG. 4 is a bottom plan view thereof; FIG. 5 is a front elevation view thereof; FIG. 6 is a rear elevation view thereof; FIG. 7 is a perspective view of a second embodiment of the elongated side handle for cookware showing my new design; FIG. 8 is a right side elevation view of the second embodiment; the left side elevation view being the mirror image thereof; FIG. 9 is a top plan view of the second embodiment; FIG. 10 is a bottom plan view of the second embodiment; FIG. 11 is a front elevation view of the second embodiment; and, FIG. 12 is a rear elevation view of the second embodiment. The broken lines in FIGS. 1-12 are for illustrative purposes only, depicting the environment of the new design, forming no part thereof as claimed.

**1 Claim, 6 Drawing Sheets**



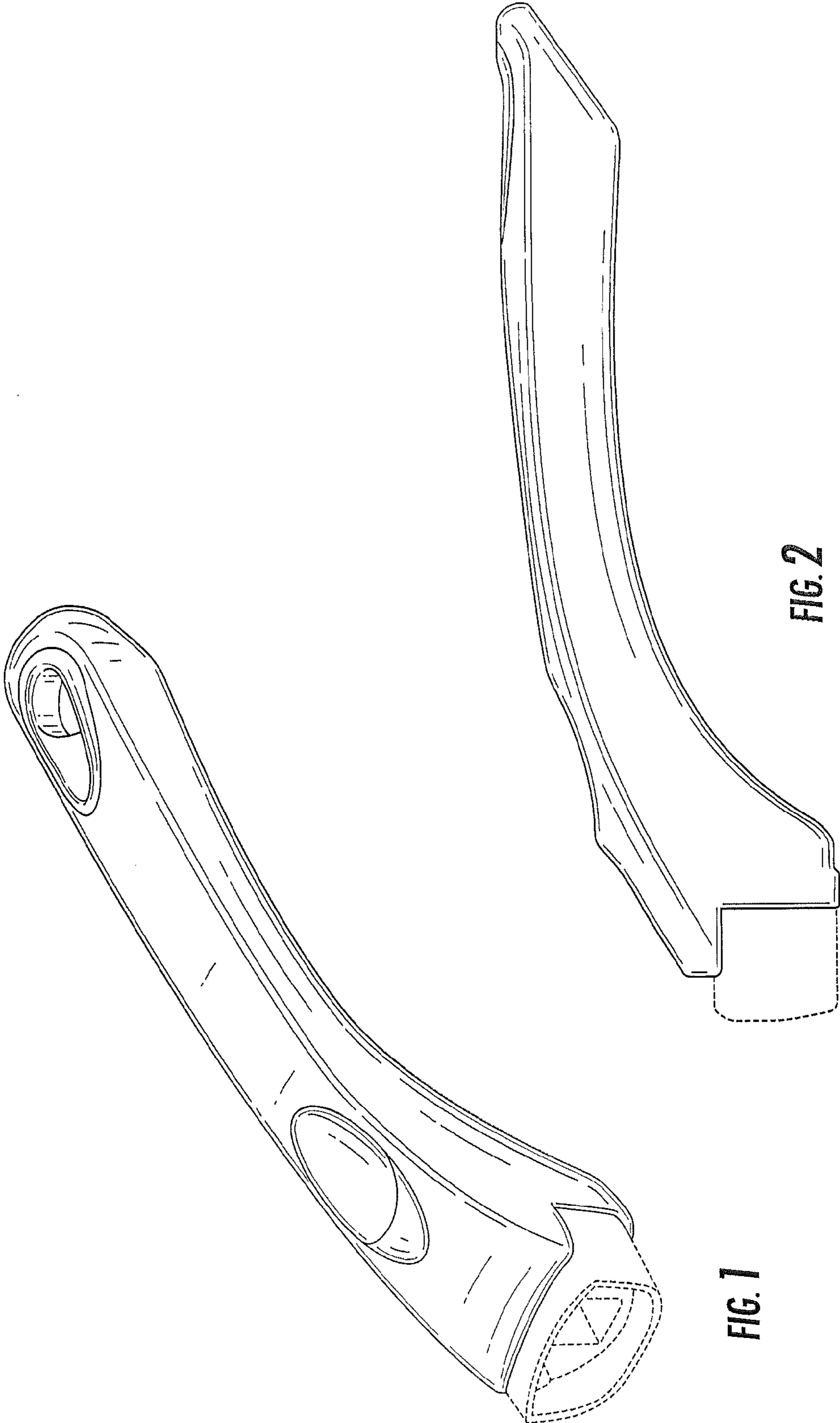


FIG. 1

FIG. 2

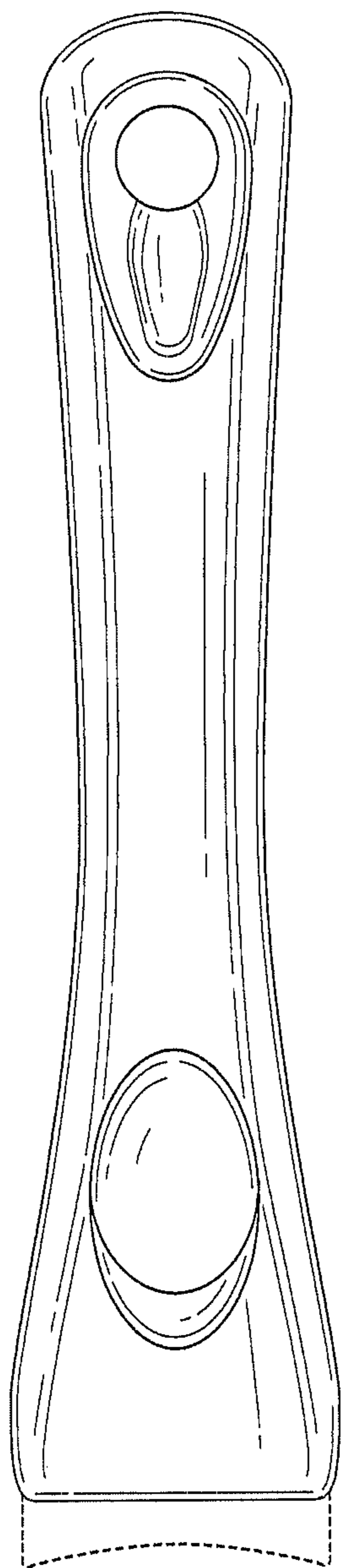


FIG. 3

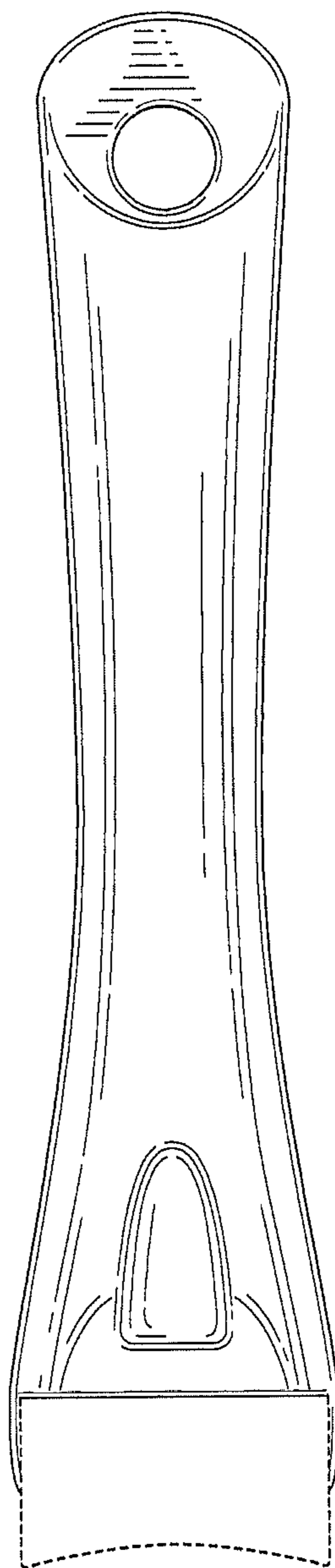
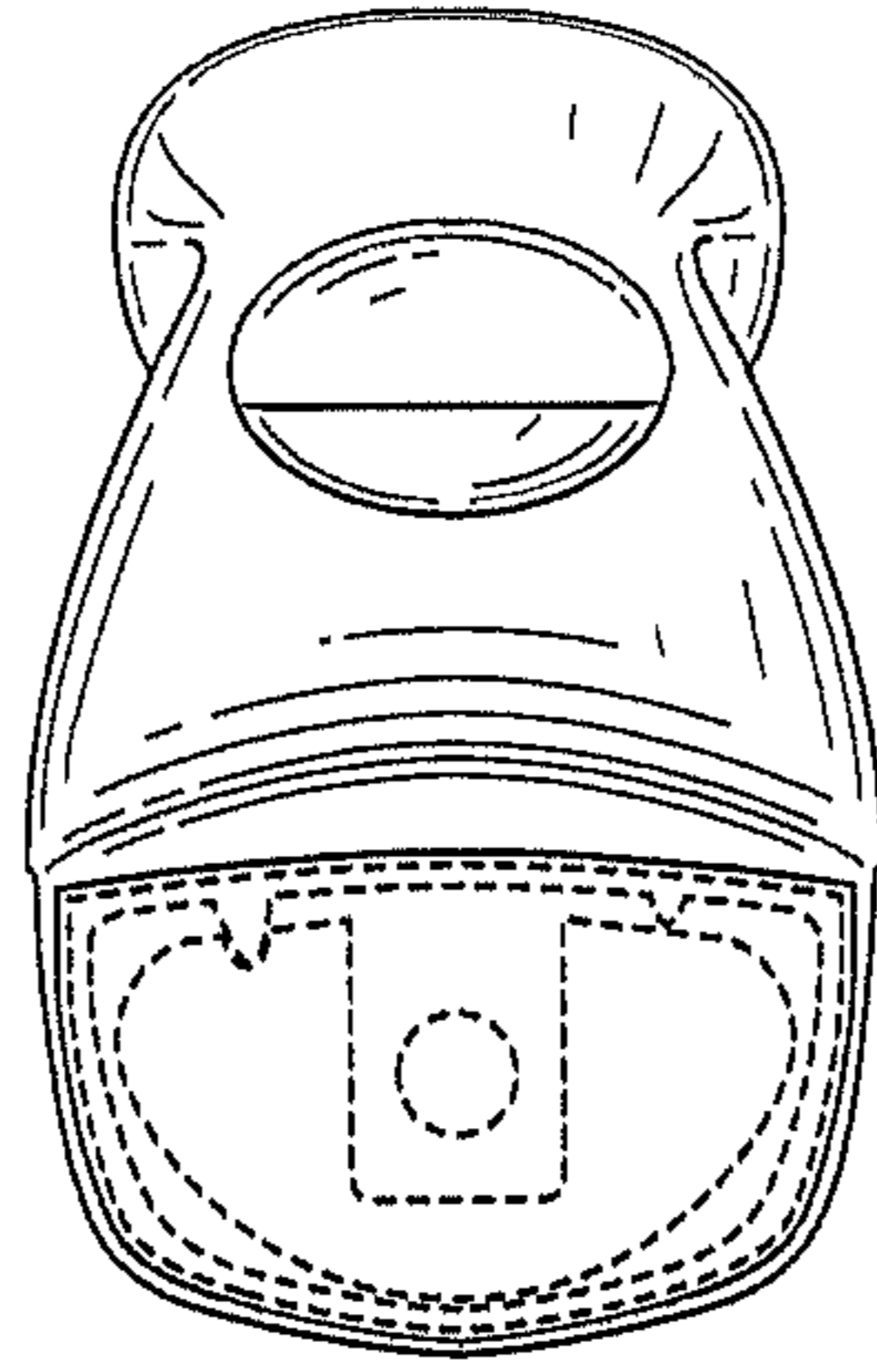
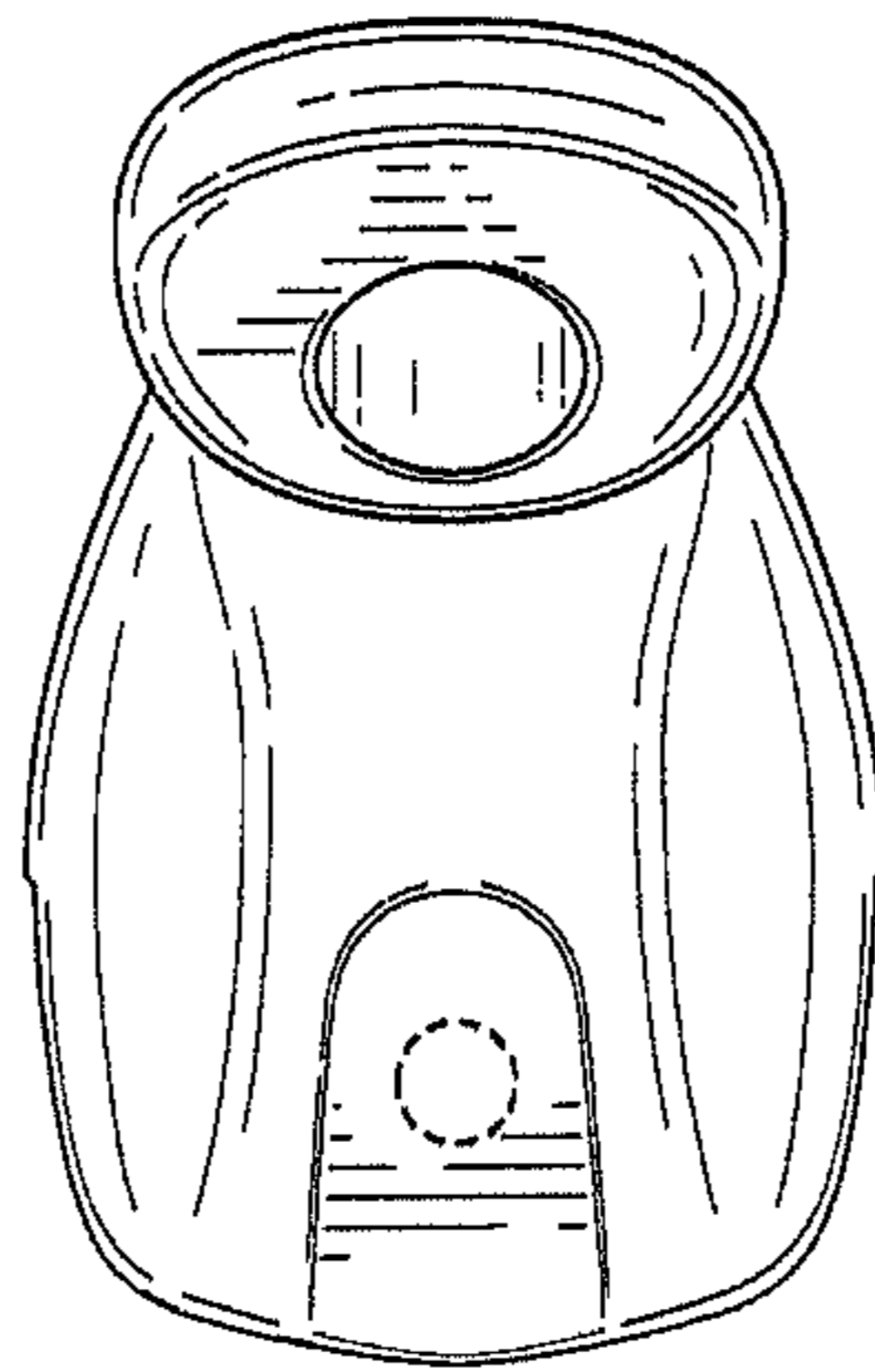


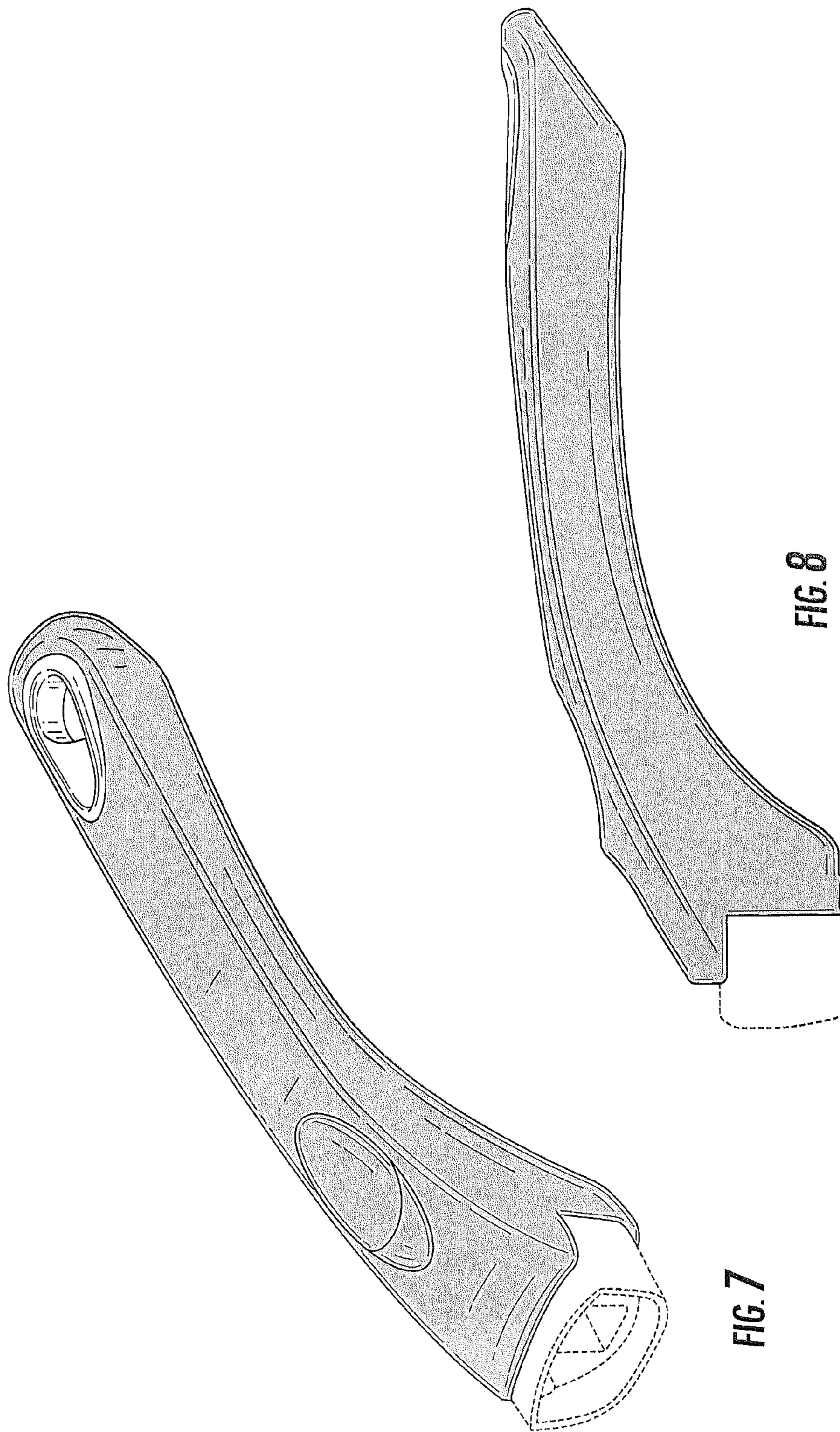
FIG. 4



**FIG. 5**



**FIG. 6**



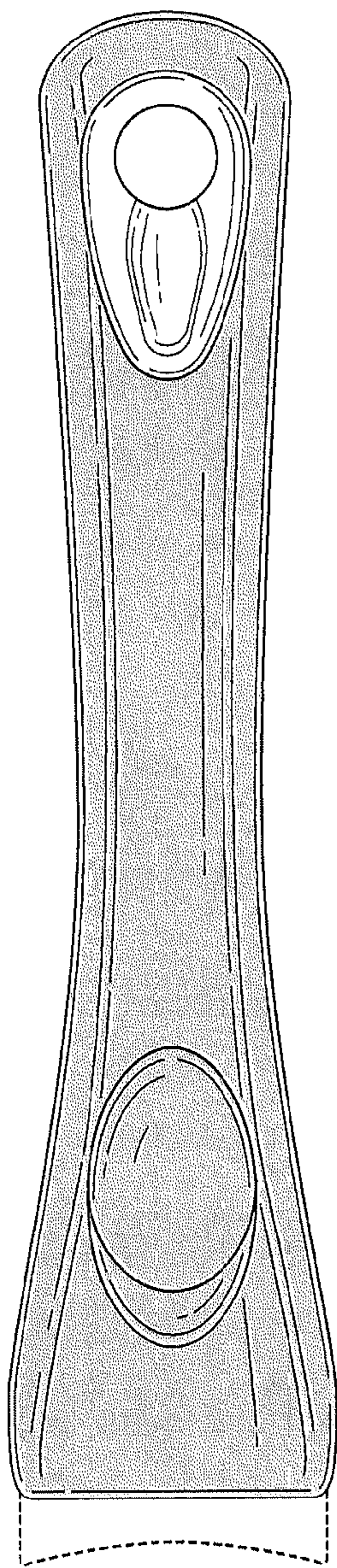


FIG. 9

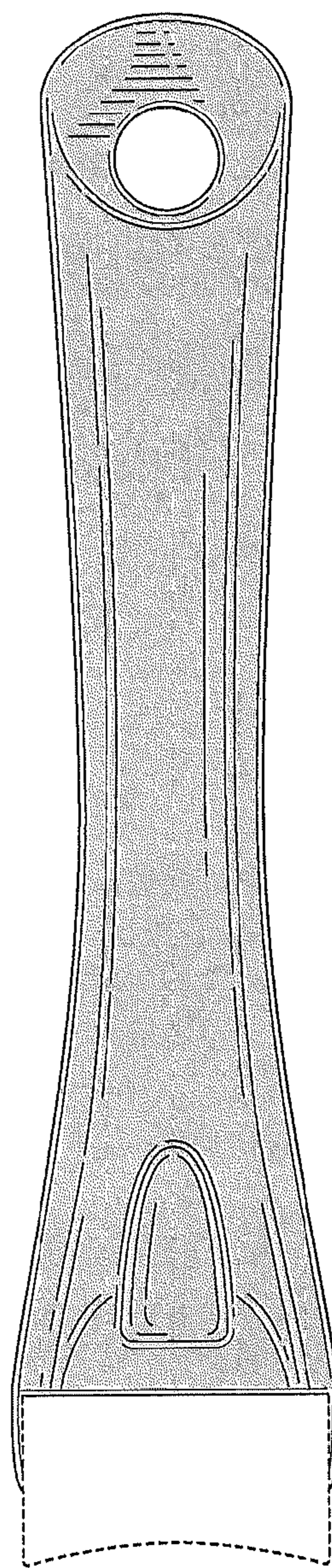
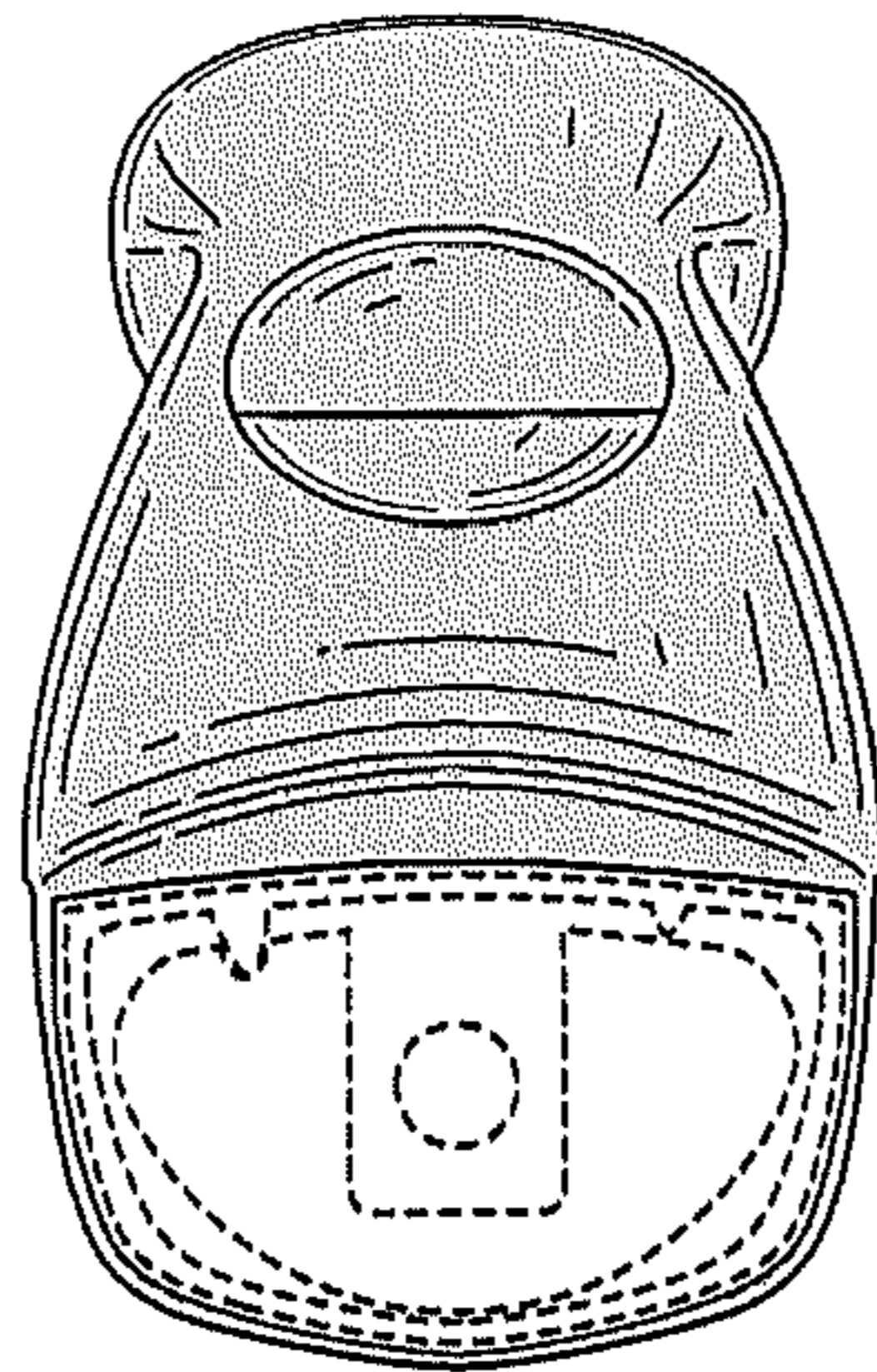
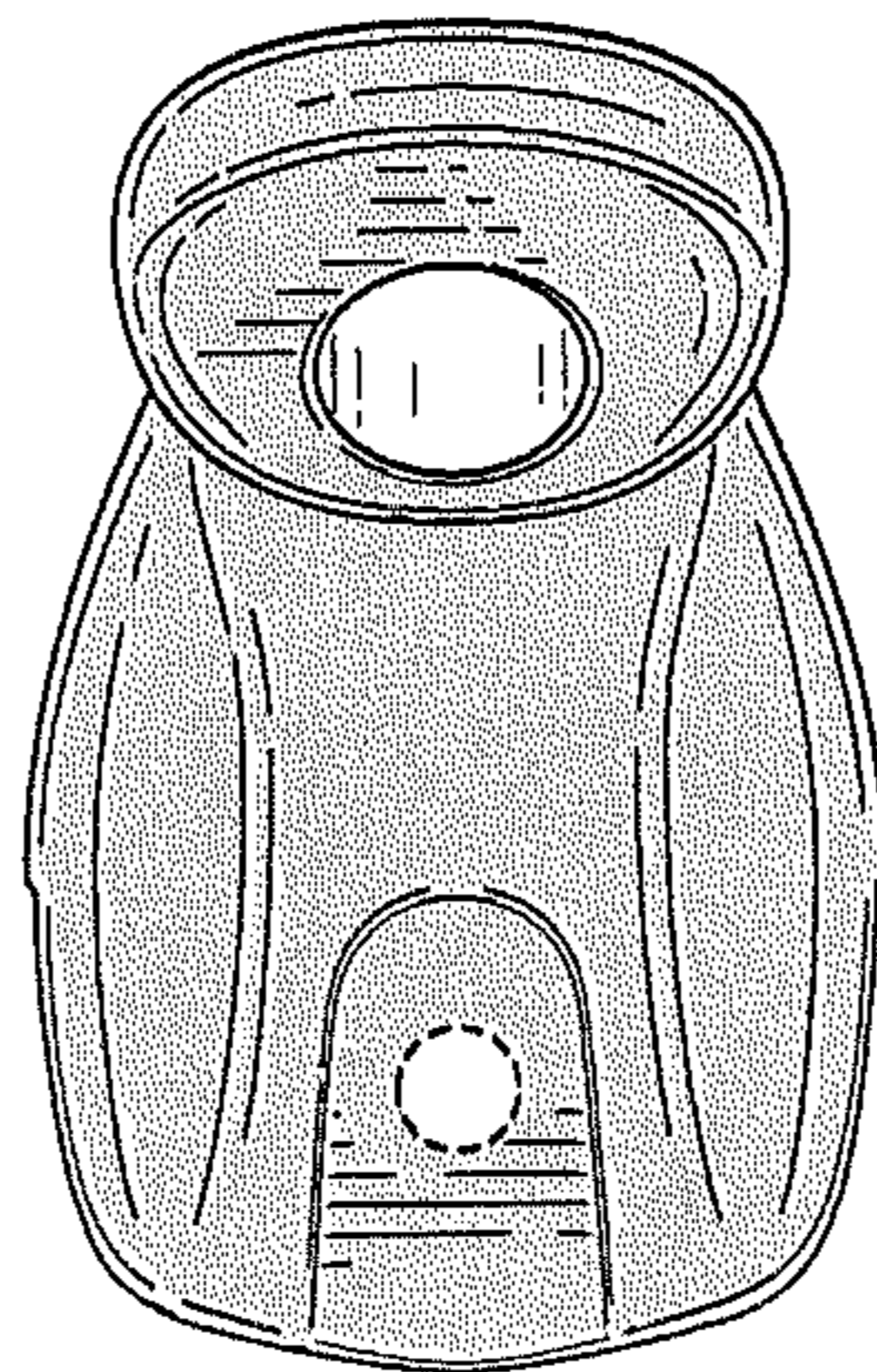


FIG. 10



**FIG. 11**



**FIG. 12**