



US00D730683S

(12) **United States Design Patent**
Tu

(10) **Patent No.:** **US D730,683 S**
(45) **Date of Patent:** **** Jun. 2, 2015**

(54) **BLENDER BASE**

(71) Applicant: **Euro-Pro Operating LLC**, Newton, MA (US)

(72) Inventor: **Joyce Tu**, Arlington, MA (US)

(73) Assignee: **Euro-Pro Operating LLC**, Newton, MA (US)

(**) Term: **14 Years**

(21) Appl. No.: **29/490,403**

(22) Filed: **May 9, 2014**

(51) **LOC (10) Cl.** **31-00**

(52) **U.S. Cl.**
USPC **D7/386; D7/376; D7/378; D7/412**

(58) **Field of Classification Search**
USPC D7/372, 376-386, 412-413, 602, 629, D7/665-666, 669, 679, 693-694; 99/509-511; 241/92, 98, 241/101.01-101.2, 166-169.1, 274-278.2, 241/285.1-285.3, 291, 292.1; 366/64-65, 366/97-98, 100, 130, 197-201, 205-207, 366/219-220, 341-343; 426/518
CPC A21C 1/02; A21C 1/04; A23N 1/00; A23N 1/02; A47J 43/04; A47J 43/25; A47J 43/27; A47J 43/042; A47J 43/044; A47J 43/046; A47J 43/075; A47J 43/0711; A47J 43/0722; A47J 43/0727; A47J 43/0777; B01F 3/00; B01F 3/0807; B01F 3/0853; B01F 13/0059; B01F 13/0064; B02C 1/08; B02C 2/04; B02C 4/42; B02C 4/142; B02C 4/143; B02C 4/423; B02C 13/1835; B28C 5/10; B28C 5/12; B28C 5/14; B28C 5/16
See application file for complete search history.

D577,537 S * 9/2008 Lee D7/386
D605,462 S * 12/2009 Picozza et al. D7/386
D617,136 S * 6/2010 Bock et al. D7/378
D647,357 S 10/2011 Audette et al.
D647,367 S 10/2011 Audette et al.
D647,368 S 10/2011 Audette et al.
D654,305 S 2/2012 Gursel et al.
D660,642 S 5/2012 Boozer et al.
D677,976 S * 3/2013 Palermo et al. D7/386
D694,573 S * 12/2013 Norland et al. D7/386
D694,574 S * 12/2013 Norland et al. D7/386
D694,582 S * 12/2013 Norland D7/413
D694,583 S * 12/2013 Norland D7/413

(Continued)

OTHER PUBLICATIONS

U.S. Appl. No. 29/490,398, filed May 9, 2014, Tu.

Primary Examiner — Ricky Pham

(74) *Attorney, Agent, or Firm* — Wolf, Greenfield & Sacks, P.C.

(57) **CLAIM**

The ornamental design for a blender base, as shown and described.

DESCRIPTION

FIG. 1 is a top, front, right side perspective view of a blender base showing my new design;
FIG. 2 is a front elevational view thereof;
FIG. 3 is a right side elevational view thereof;
FIG. 4 is a rear elevational view thereof;
FIG. 5 is a left side elevational view thereof;
FIG. 6 is a top plan view thereof; and,
FIG. 7 is a bottom plan view thereof.

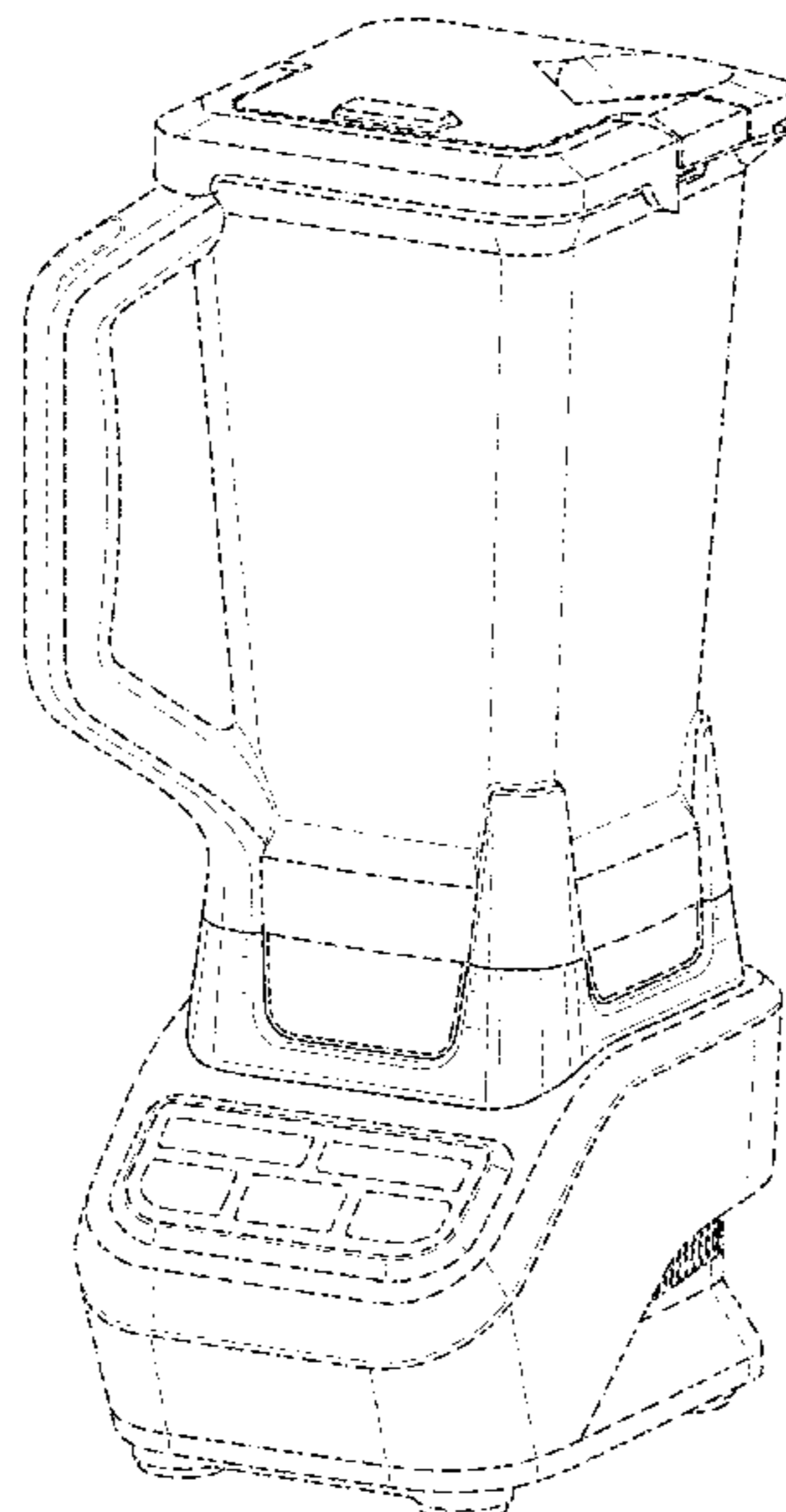
The broken lines of FIGS. 1-7 are included for illustrative purposes only and form no part of the claimed design. The dash-dot-dash broken lines shown in FIGS. 1-5 define boundaries of the claimed design.

(56) **References Cited**

U.S. PATENT DOCUMENTS

D526,531 S * 8/2006 Drees et al. D7/378
D533,395 S * 12/2006 Drees et al. D7/378

1 Claim, 6 Drawing Sheets



US D730,683 S

Page 2

(56)

References Cited

U.S. PATENT DOCUMENTS

D711,688 S *	8/2014	Prats	D7/412
2012/0027902 A1 *	2/2012	Audette et al.	426/518
D704,502 S *	5/2014	Coakley et al.	D7/386

* cited by examiner

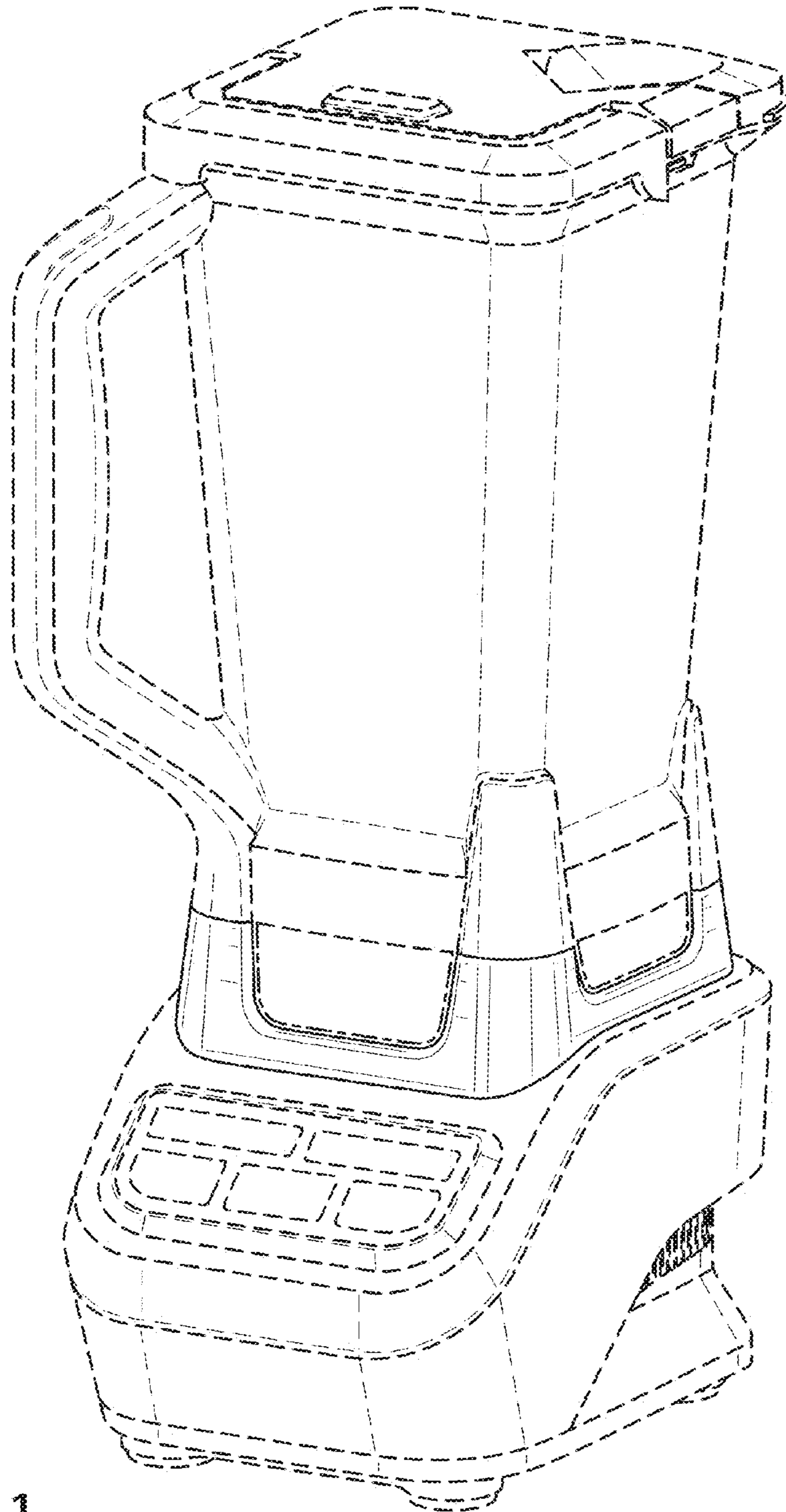


FIG. 1

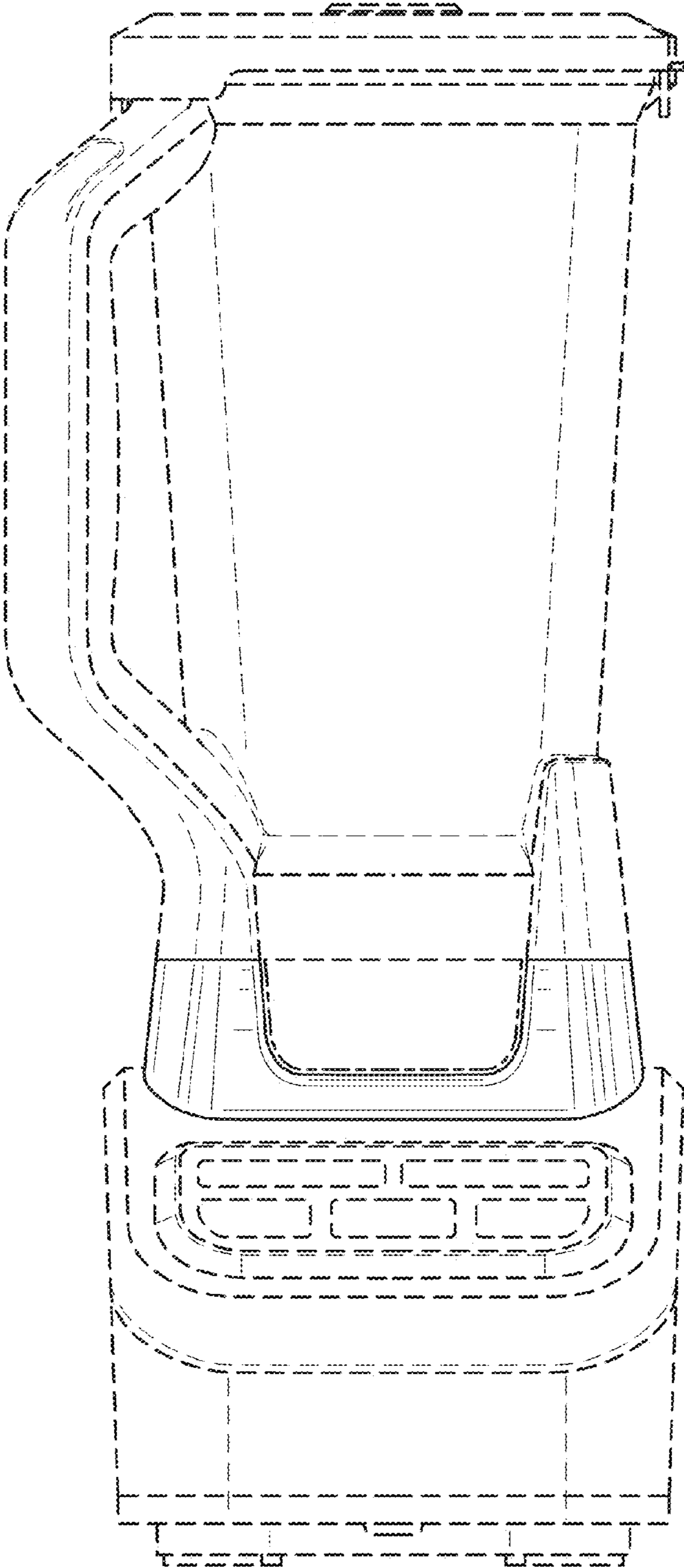


FIG. 2

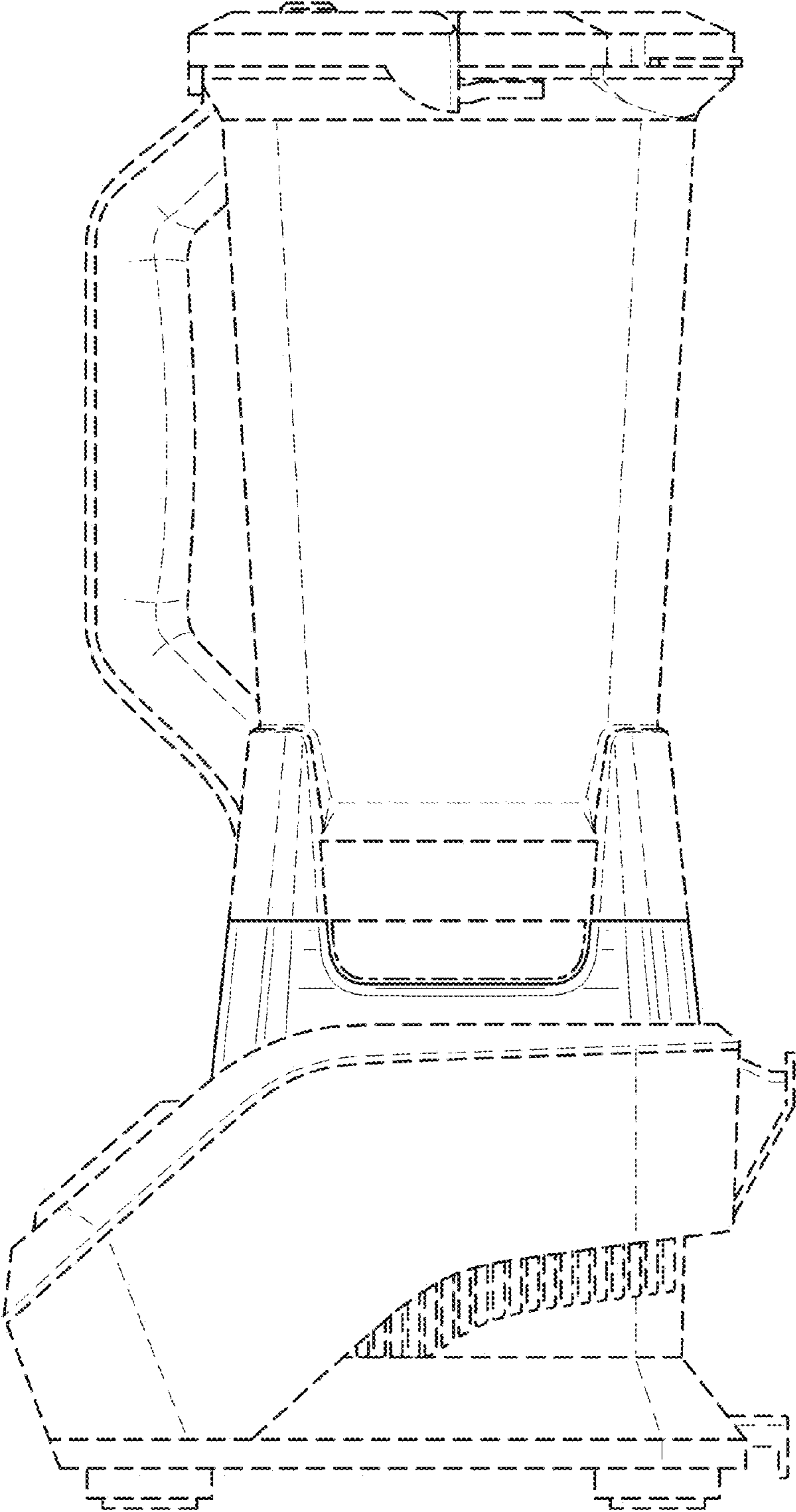


FIG. 3

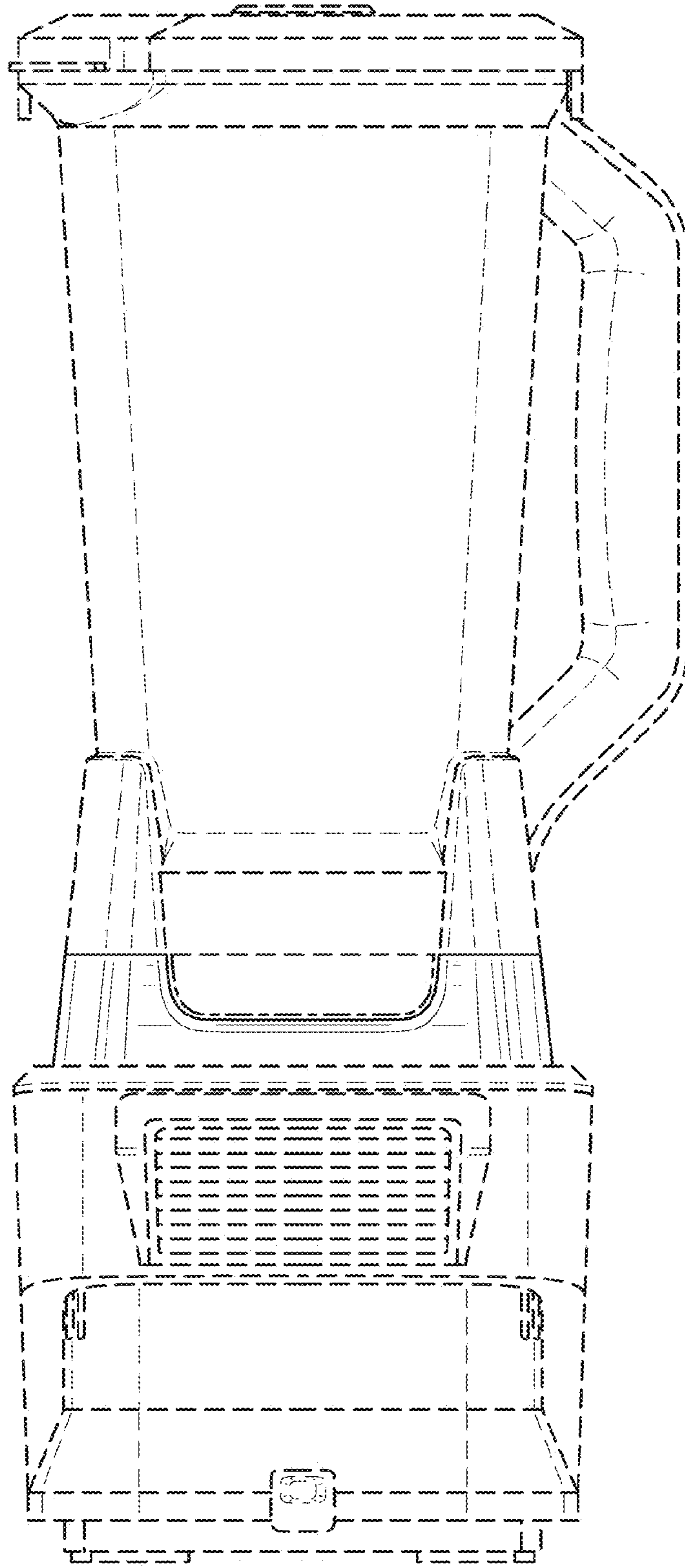


FIG. 4

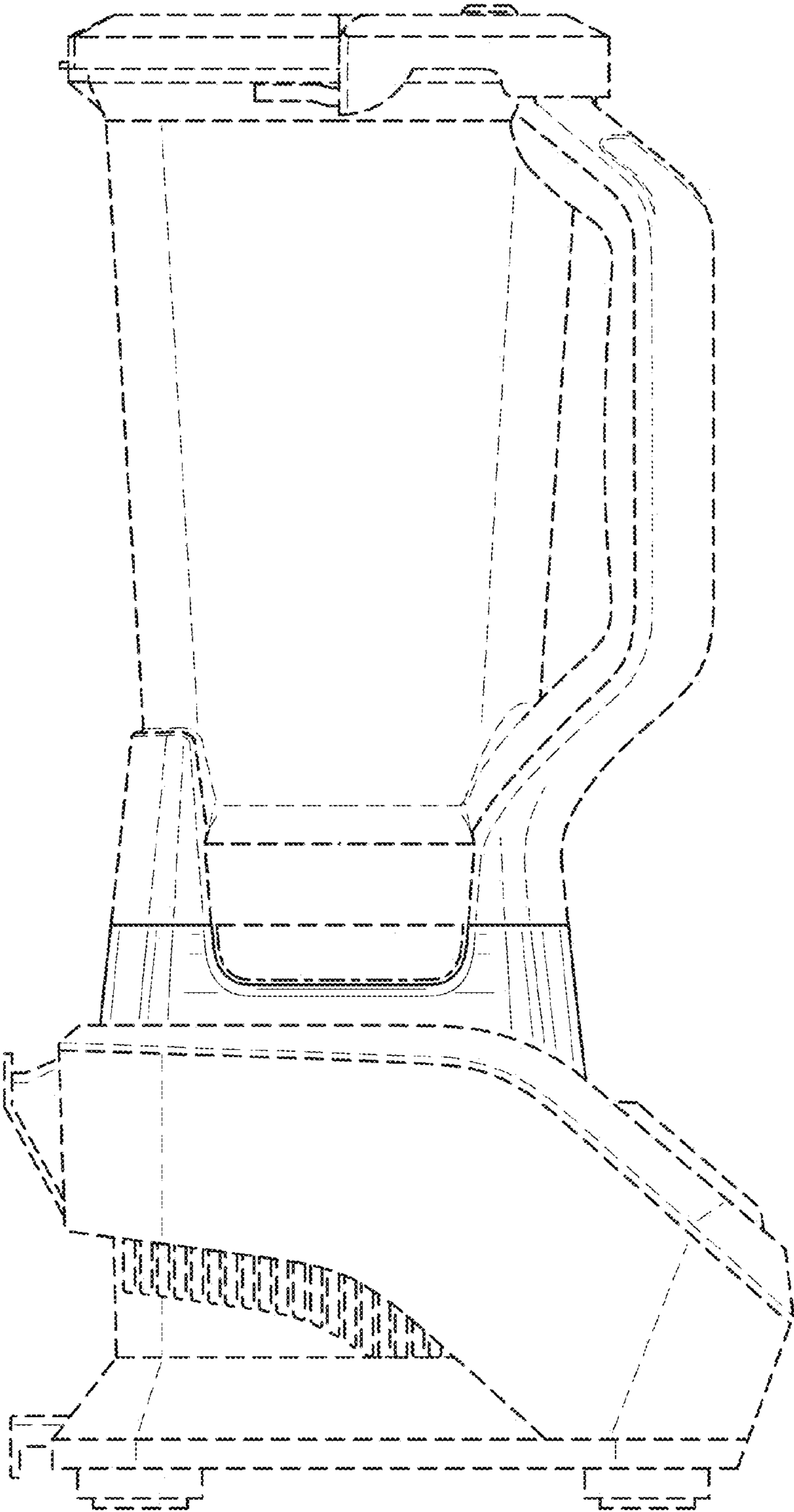


FIG. 5

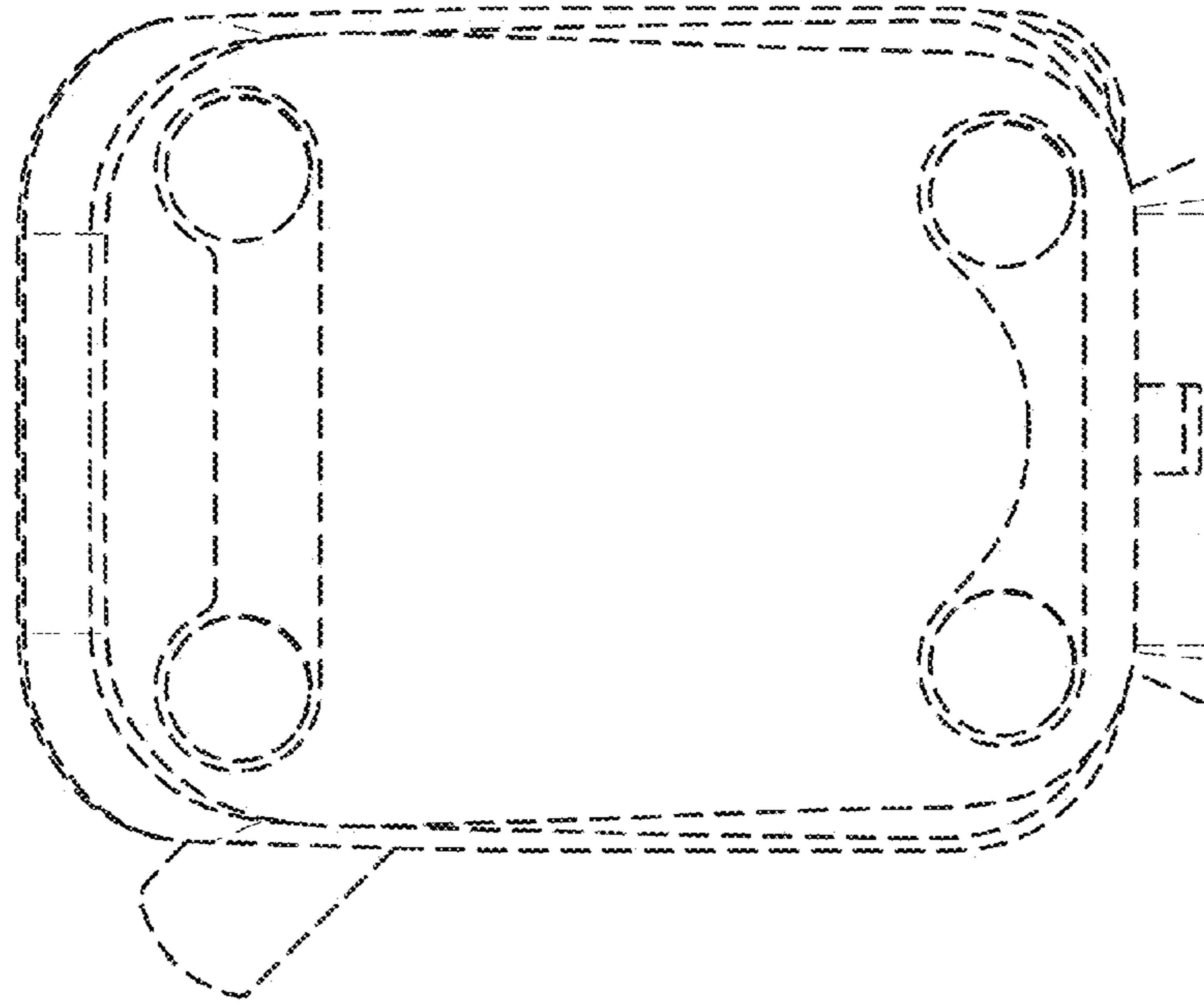


FIG. 6

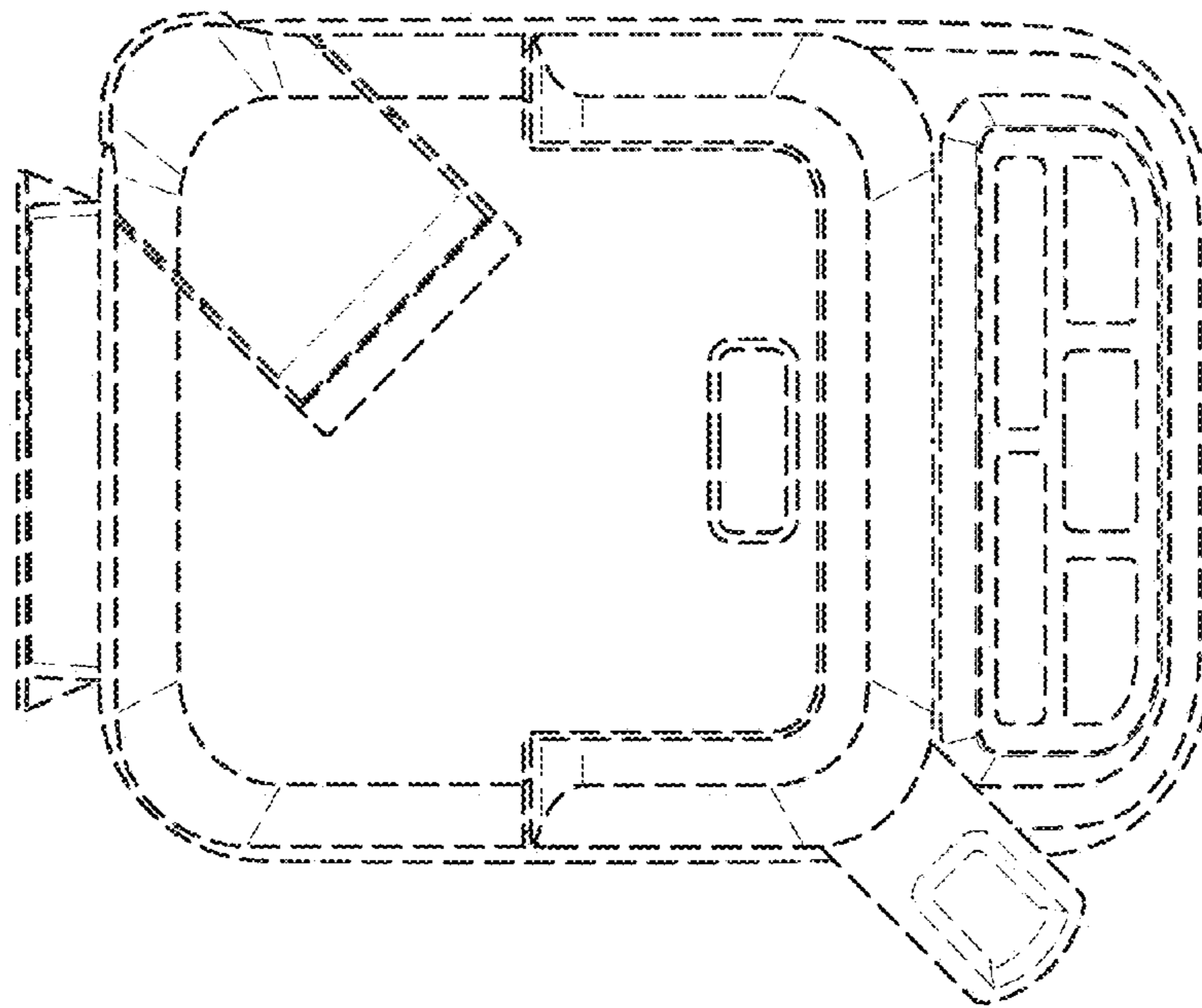


FIG. 7

UNITED STATES PATENT AND TRADEMARK OFFICE
CERTIFICATE OF CORRECTION

PATENT NO. : D730,683 S
APPLICATION NO. : 29/490403
DATED : June 2, 2015
INVENTOR(S) : Joyce Tu

Page 1 of 1

It is certified that error appears in the above-identified patent and that said Letters Patent is hereby corrected as shown below:

On the Title Page, the description of FIG. 5 should read:

-- FIG. 5 is a left side elevational view thereof; --

Signed and Sealed this
Sixth Day of October, 2015



Michelle K. Lee
Director of the United States Patent and Trademark Office