



US00D730682S

(12) **United States Design Patent**
Tu

(10) **Patent No.:** **US D730,682 S**
(45) **Date of Patent:** **** Jun. 2, 2015**

(54) **BLENDER BASE**

(56) **References Cited**

(71) Applicant: **Euro-Pro Operating LLC**, Newton,
MA (US)

U.S. PATENT DOCUMENTS

(72) Inventor: **Joyce Tu**, Arlington, MA (US)

D526,531 S *	8/2006	Drees et al.	D7/378
D533,395 S *	12/2006	Drees et al.	D7/378
D577,537 S *	9/2008	Lee	D7/386
D605,462 S *	12/2009	Picozza et al.	D7/386
D617,136 S *	6/2010	Bock et al.	D7/378
D647,357 S	10/2011	Audette et al.	
D647,367 S	10/2011	Audette et al.	
D647,368 S	10/2011	Audette et al.	
D654,305 S	2/2012	Gursel et al.	
D660,642 S	5/2012	Boozer et al.	
D677,976 S *	3/2013	Palermo et al.	D7/386
D694,573 S *	12/2013	Norland et al.	D7/386
D694,574 S *	12/2013	Norland et al.	D7/386
D694,582 S *	12/2013	Norland	D7/413
D694,583 S *	12/2013	Norland	D7/413
D704,502 S *	5/2014	Coakley et al.	D7/386
D711,688 S *	8/2014	Prats	D7/412
2012/0027902 A1 *	2/2012	Audette et al.	426/518

(73) Assignee: **Euro-Pro Operating LLC**, Newton,
MA (US)

(**) Term: **14 Years**

(21) Appl. No.: **29/490,398**

(22) Filed: **May 9, 2014**

(51) **LOC (10) Cl.** **31-00**

(52) **U.S. Cl.**
USPC **D7/386; D7/376; D7/378; D7/412**

(58) **Field of Classification Search**
USPC D7/372, 376-386, 412-413, 602, 629,
D7/665-666, 669, 679, 693-694;
99/509-511; 241/92, 98,
241/101.01-101.2, 166-169.1, 274-278.2,
241/285.1-285.3, 291, 292.1; 366/64-65,
366/97-98, 100, 130, 197-201, 205-207,
366/219-220, 341-343; 426/518

CPC A21C 1/02; A21C 1/04; A23N 1/00;
A23N 1/02; A47J 43/04; A47J 43/25; A47J
43/27; A47J 43/042; A47J 43/044; A47J
43/046; A47J 43/075; A47J 43/0711; A47J
43/0722; A47J 43/0727; A47J 43/0777;
B01F 3/00; B01F 3/0807; B01F 3/0853;
B01F 13/0059; B01F 13/0064; B02C 1/08;
B02C 2/04; B02C 4/42; B02C 4/142; B02C
4/143; B02C 4/423; B02C 13/1835; B28C
5/10; B28C 5/12; B28C 5/14; B28C 5/16

See application file for complete search history.

* cited by examiner

Primary Examiner — Ricky Pham

(74) *Attorney, Agent, or Firm* — Wolf, Greenfield & Sacks,
P.C.

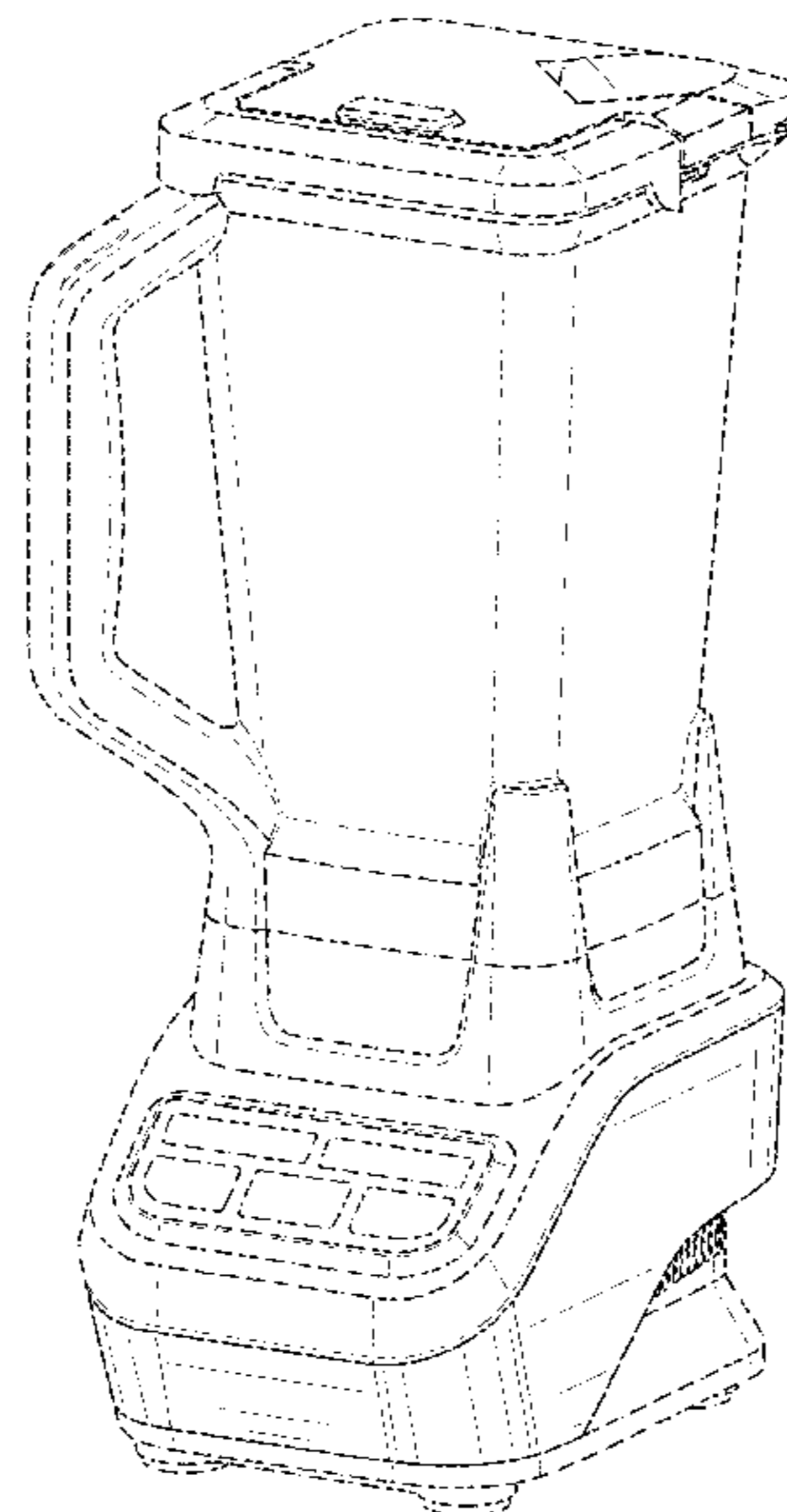
(57) **CLAIM**

The ornamental design for a blender base, as shown and
described.

DESCRIPTION

FIG. 1 is a top, front, right side perspective view of a blender
base showing my new design;
FIG. 2 is a front elevational view thereof;
FIG. 3 is a right side elevational view thereof;
FIG. 4 is a rear elevational view thereof;
FIG. 5 is a left side elevational view thereof;
FIG. 6 is a top plan view thereof; and,
FIG. 7 is a bottom plan view thereof.
The broken lines of FIGS. 1-7 are included for illustrative
purposes only and form no part of the claimed design.

1 Claim, 6 Drawing Sheets



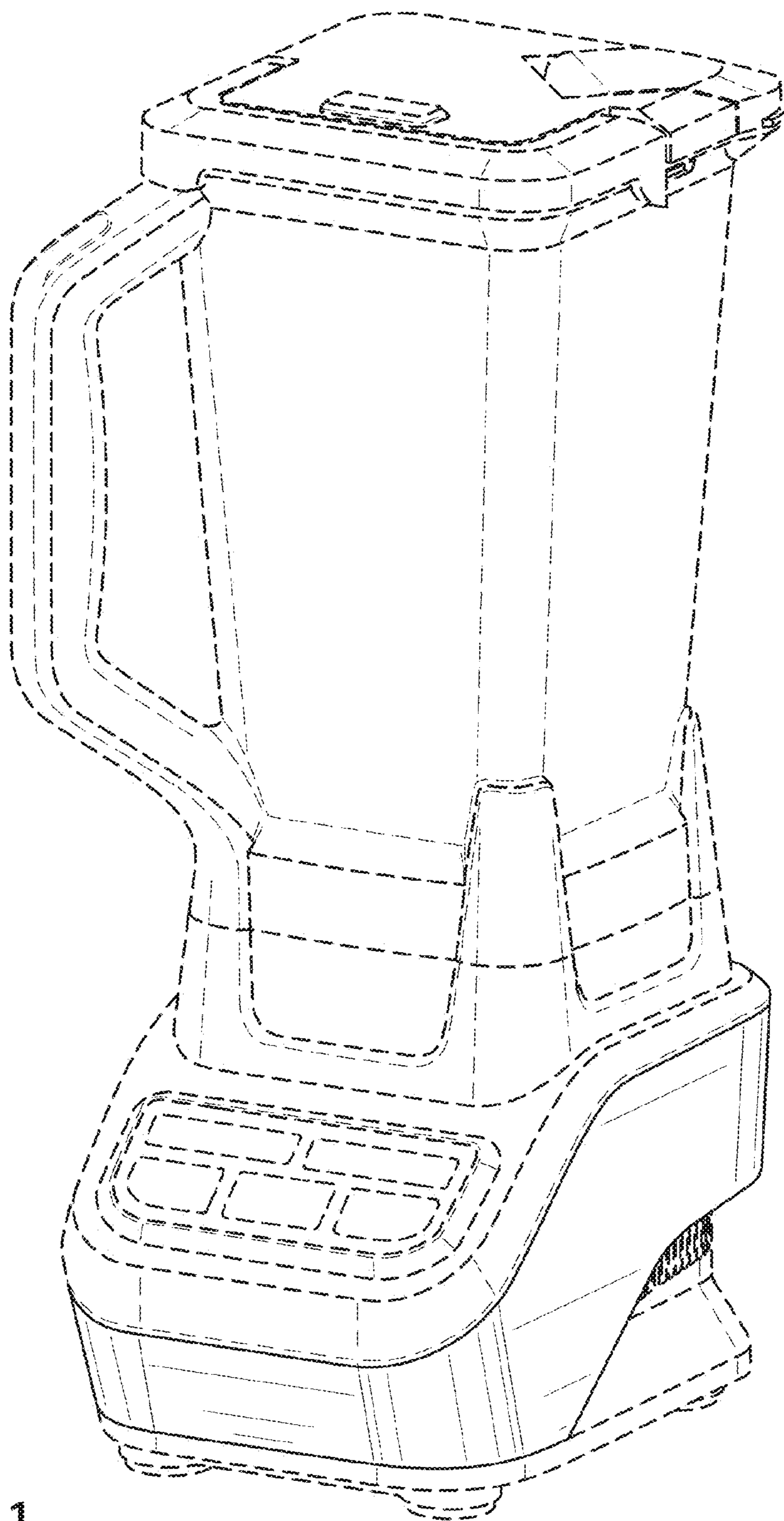


FIG. 1

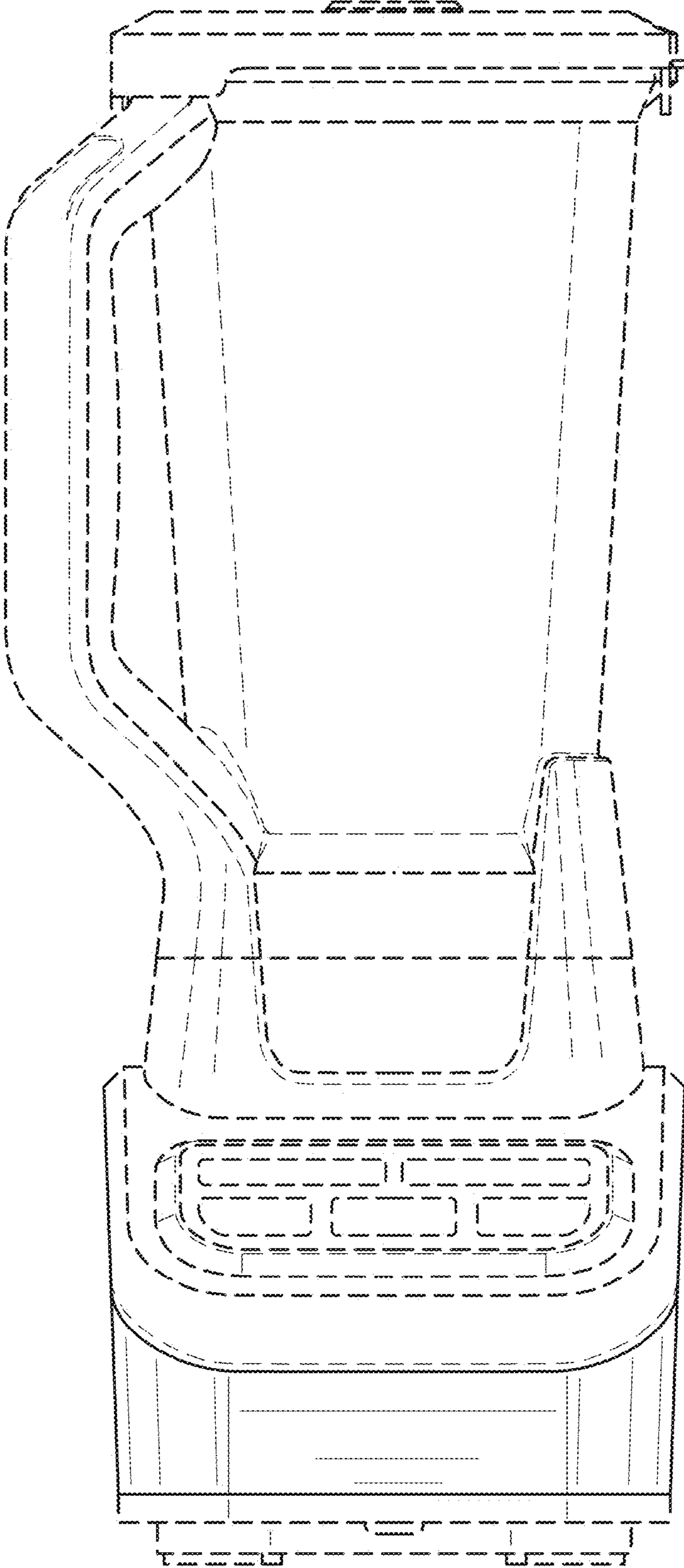


FIG. 2

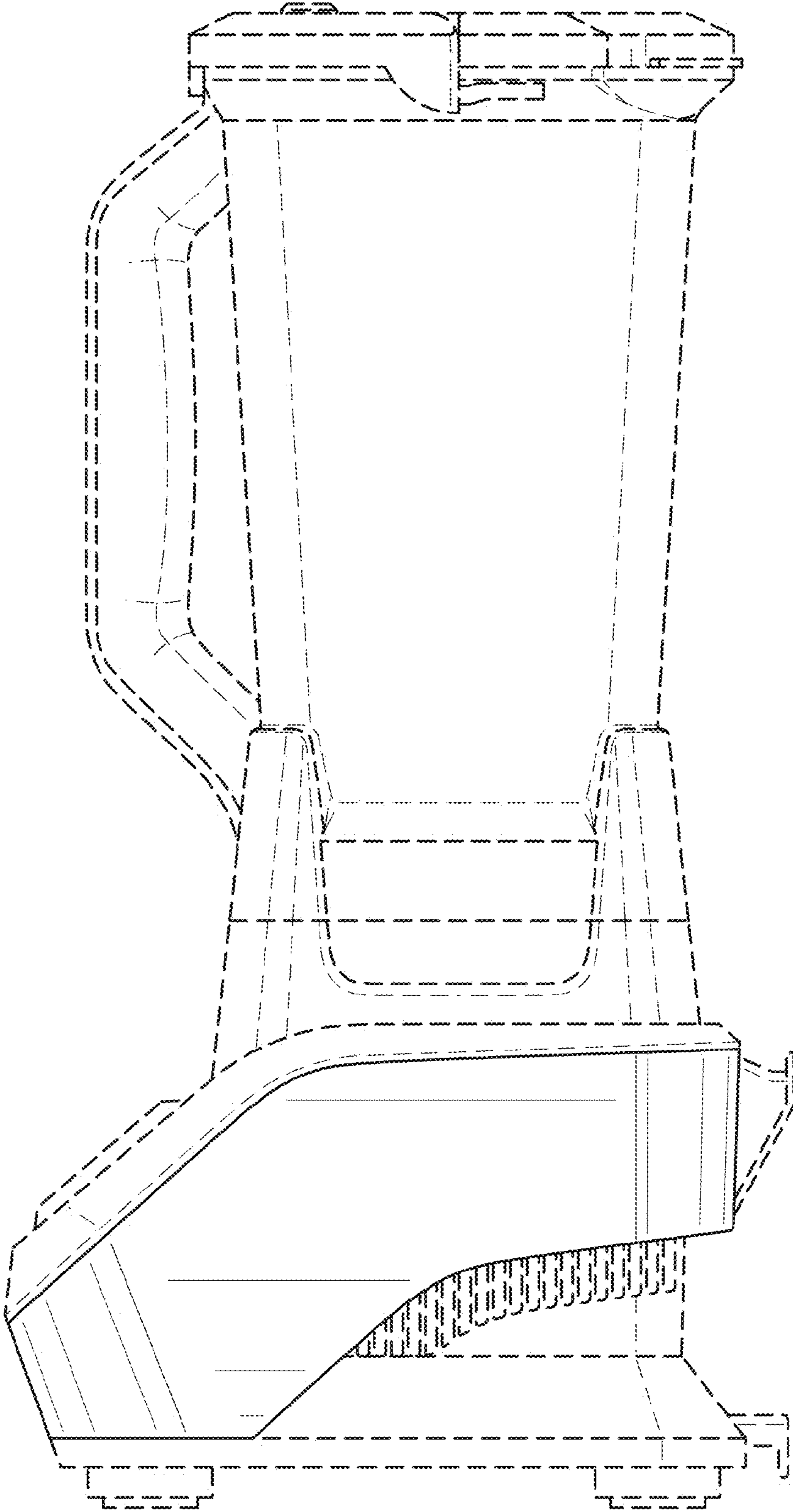


FIG. 3

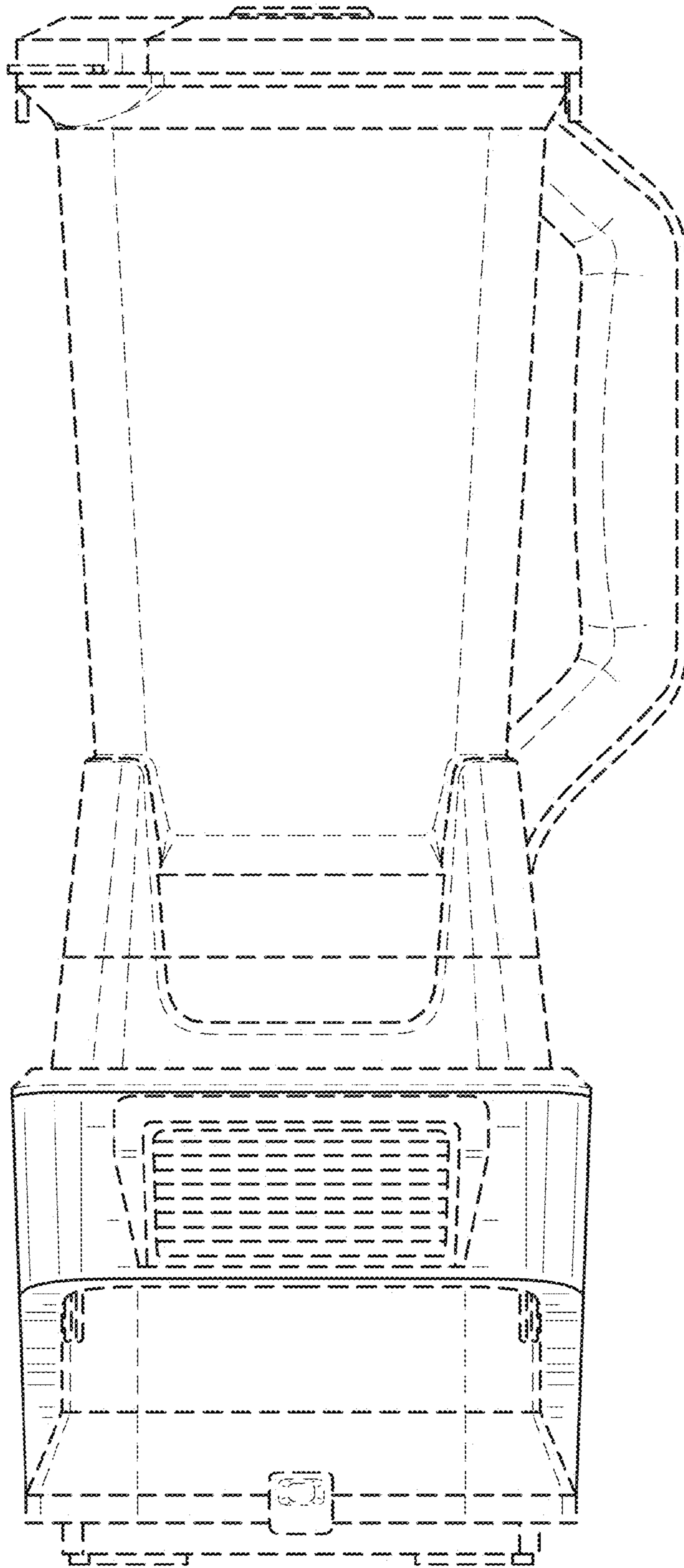


FIG. 4

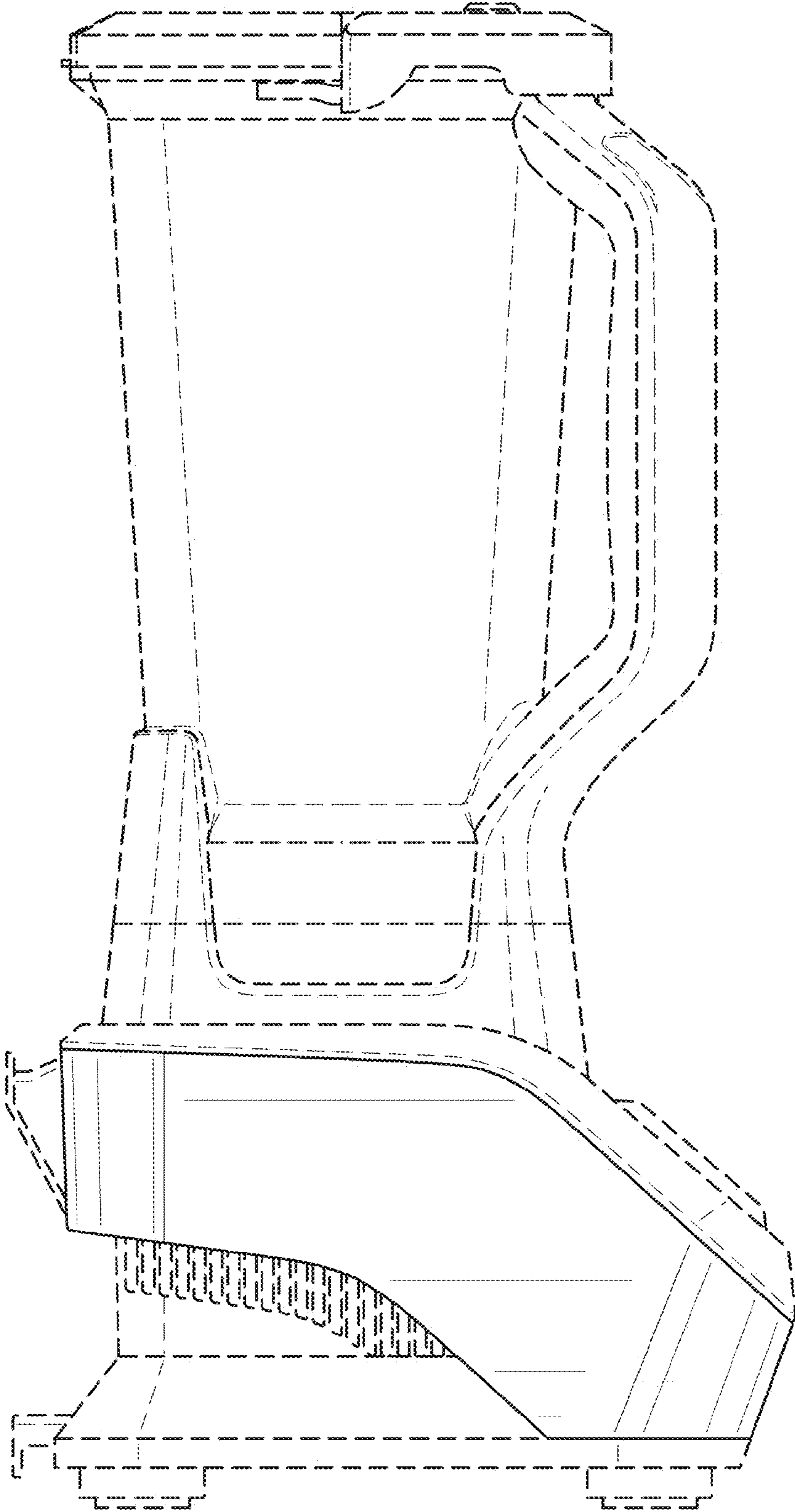


FIG. 5

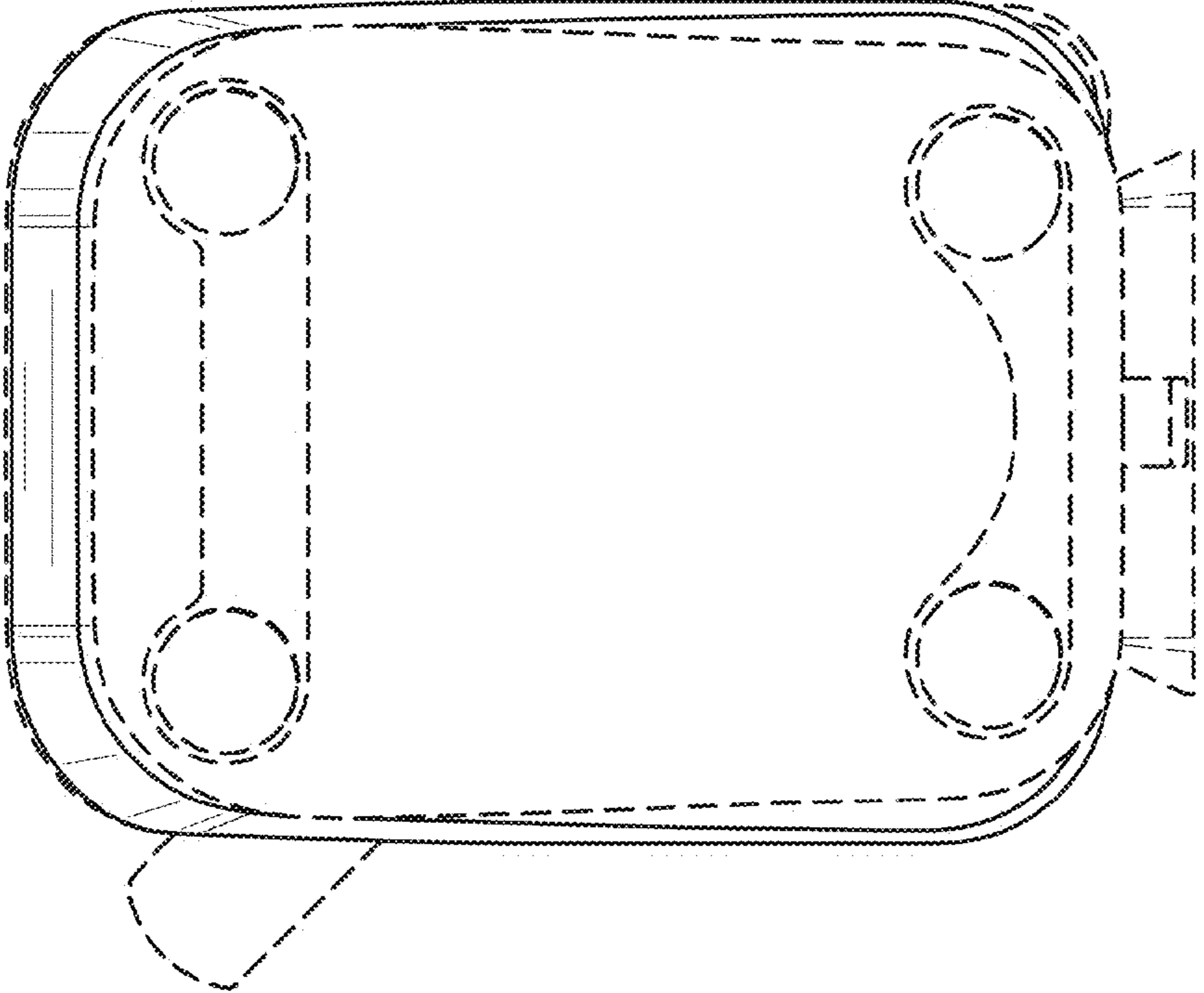


FIG. 6

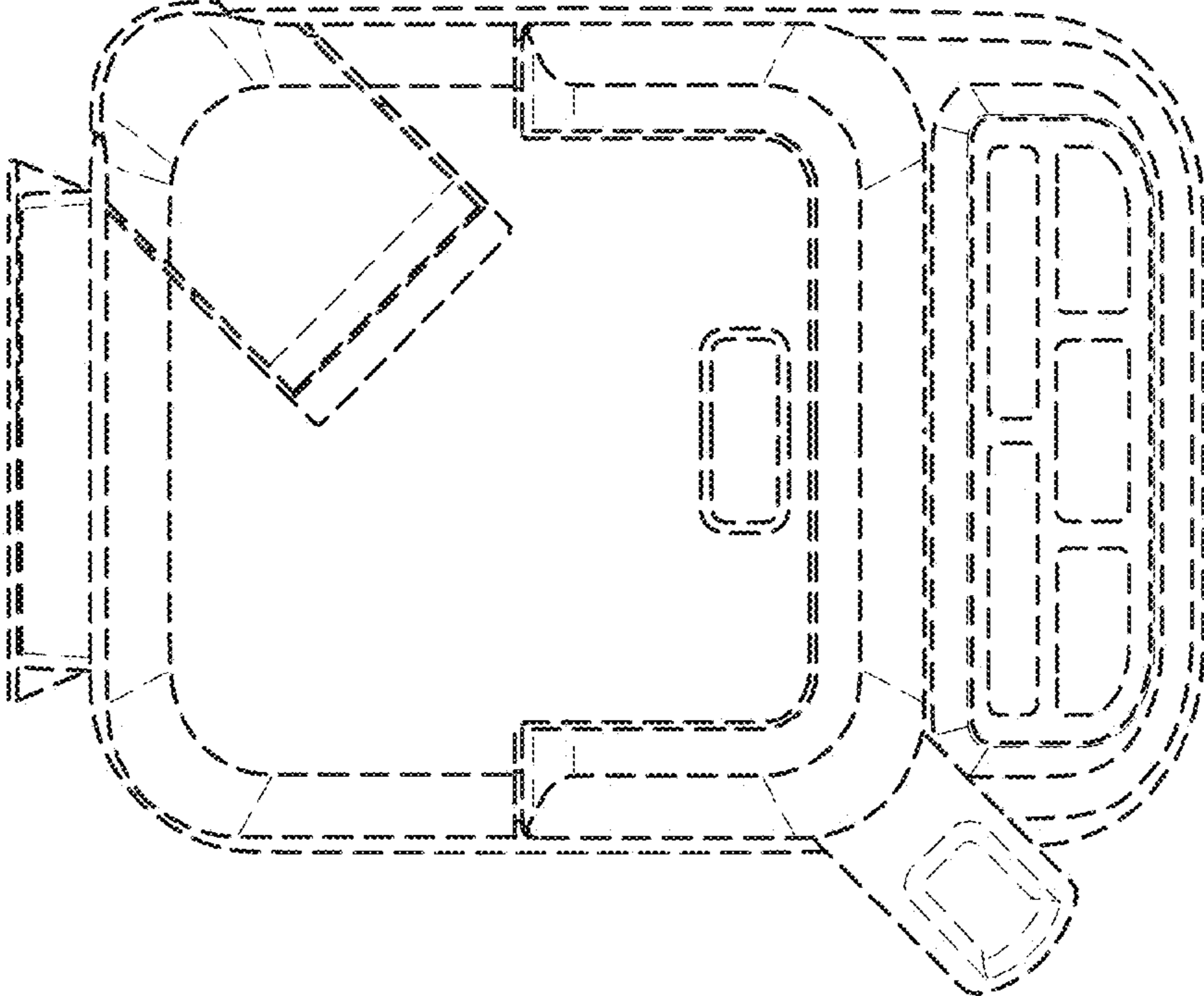


FIG. 7