



US00D730680S

(12) **United States Design Patent**
Palermo

(10) **Patent No.:** **US D730,680 S**
(45) **Date of Patent:** **** Jun. 2, 2015**

(54) **COOKER**

(71) Applicant: **Raymond Palermo**, Marietta, GA (US)

(72) Inventor: **Raymond Palermo**, Marietta, GA (US)

(73) Assignee: **Cheep Monkey Companies, Inc.**,
Marietta, GA (US)

(**) Term: **14 Years**

(21) Appl. No.: **29/471,406**

(22) Filed: **Oct. 31, 2013**

(51) **LOC (10) Cl.** **07-02**

(52) **U.S. Cl.**
USPC **D7/367**

(58) **Field of Classification Search**

USPC D7/323, 328–330, 337, 347, 352–364,
D7/367, 402, 409–411; 99/324–326, 331,
99/339–340, 349, 356–357, 372–379,
99/444–446, 483; 126/25 R; 219/386,
219/450.1, 472, 490, 524–525, 620–622,
219/732–734

CPC A21B 1/22; A21B 5/023; A23B 7/0205;
A47J 27/004; A47J 27/60; A47J 27/62;
A47J 33/00; A47J 37/04; A47J 37/06; A47J
37/067; A47J 37/0605; A47J 37/0611; A47J
37/0623; A47J 37/0629; A47J 37/0676;
A47J 2037/06; A47J 2037/0611; F24C 15/10;
F24C 15/102; H05B 6/02; H05B 6/062
See application file for complete search history.

(56) **References Cited**

U.S. PATENT DOCUMENTS

3,301,172 A * 1/1967 Longo 99/446
D289,847 S * 5/1987 Okamoto et al. D7/363

(Continued)

Primary Examiner — Ricky Pham

(74) *Attorney, Agent, or Firm* — Smith Risley Tempel
Santos LLC; Gregory Scott Smith

(57) **CLAIM**

The ornamental design for a cooker, as shown and described.

DESCRIPTION

FIG. 1 is a perspective view of a first embodiment of the ornamental design of a cooker including a base, cooking surface and a top cover;

FIG. 2 is a perspective and exploded view of the various components included within in the embodiment of the cooker illustrated in FIG. 1, however the top cover is not illustrated in this drawing;

FIG. 3 is a top plan view of the cooker illustrated in FIG. 1; FIG. 4 is a cross-sectional side elevation view taken at line 4-4 of FIG. 3 of the cooker illustrated in FIG. 1;

FIG. 5 is a perspective view of the cross-sectional view of FIG. 4 of the cooker illustrated in FIG. 1.

FIG. 6 is a top plan view of the cooker illustrated in FIG. 1; FIG. 7 is a cross-sectional side elevation view taken at line 7-7 of FIG. 6 of the cooker illustrated in FIG. 1;

FIG. 8 is a perspective view of the cross-sectional view of FIG. 7 of the cooker illustrated in FIG. 1;

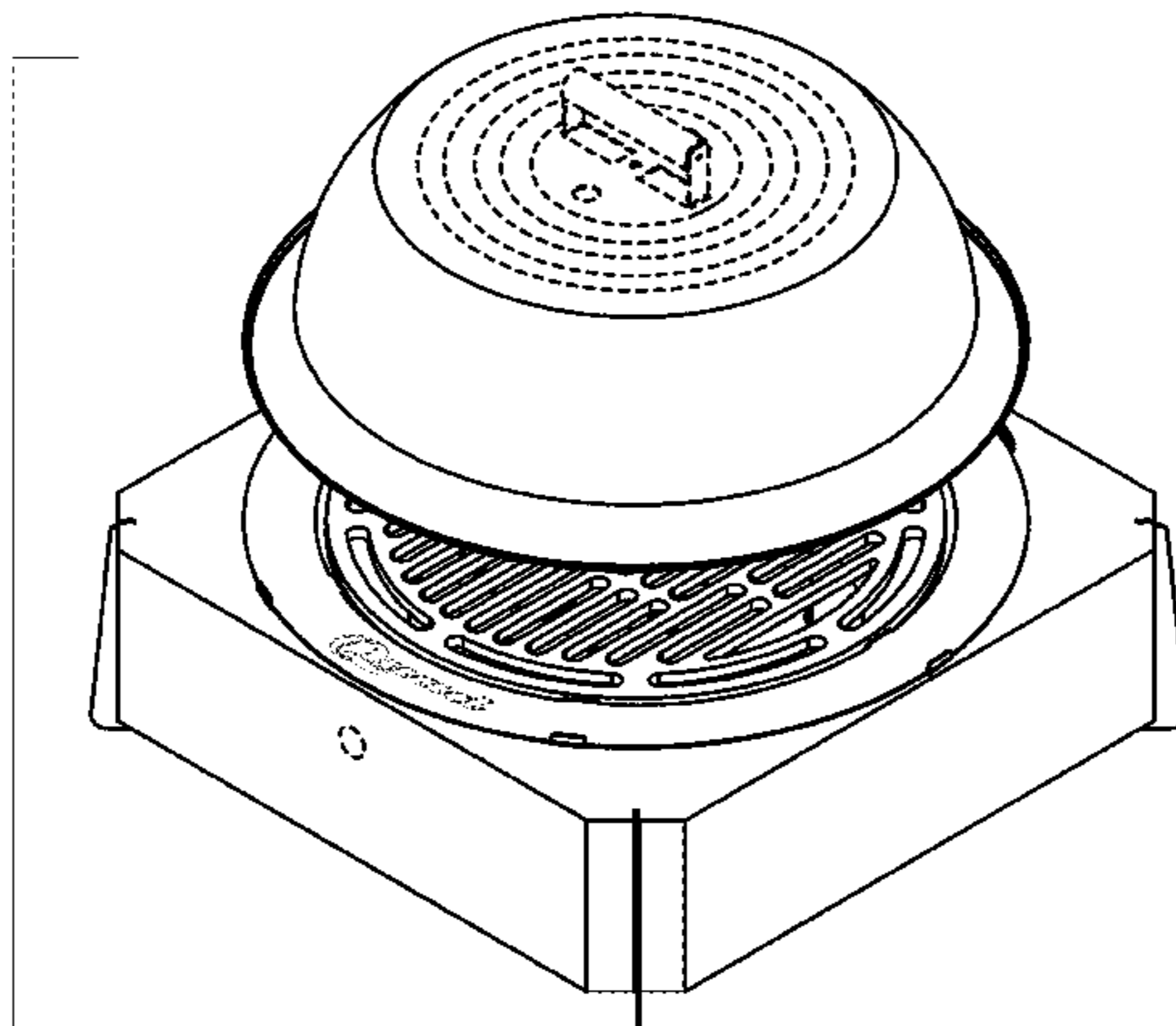
FIG. 9A is a perspective view of a second embodiment of a top cover that can be placed on the embodiment illustrated in FIG. 1;

FIG. 9B is a side elevation view of the second embodiment of a top cover illustrated in FIG. 9A; and,

FIG. 9C is a top plan view of the second embodiment of a top cover illustrated in FIG. 9A.

An ornamental design for cooker is illustrated. The elements shown with broken lines form no part of the invention although the applicant reserves the right to amend the drawings or submit continuation applications with drawings in which some of the broken lines may be presented as solid lines and thus become part of the claim. Two embodiments are presented with the differentiation between the embodiments being the type of top cover that is utilized. One embodiment has a solid sided top cover while the other embodiment has an opening in the side of the top cover. However, the hole is disclaimed as presented herein.

1 Claim, 7 Drawing Sheets



(56)

References Cited

U.S. PATENT DOCUMENTS

5,970,858 A * 10/1999 Boehm et al. 99/446
6,041,696 A * 3/2000 Su 99/483
6,082,249 A * 7/2000 Su 99/340
D431,411 S * 10/2000 Chang D7/362

D491,013 S * 6/2004 Yang D7/367
8,330,083 B2 * 12/2012 Moon et al. 219/490
D678,712 S * 3/2013 Mehler D7/359
D684,808 S * 6/2013 Mehler D7/359
D706,571 S * 6/2014 Rivera et al. D7/359
8,835,810 B2 * 9/2014 Moon 219/386
2009/0020109 A1 * 1/2009 Rheault 126/25 R

* cited by examiner

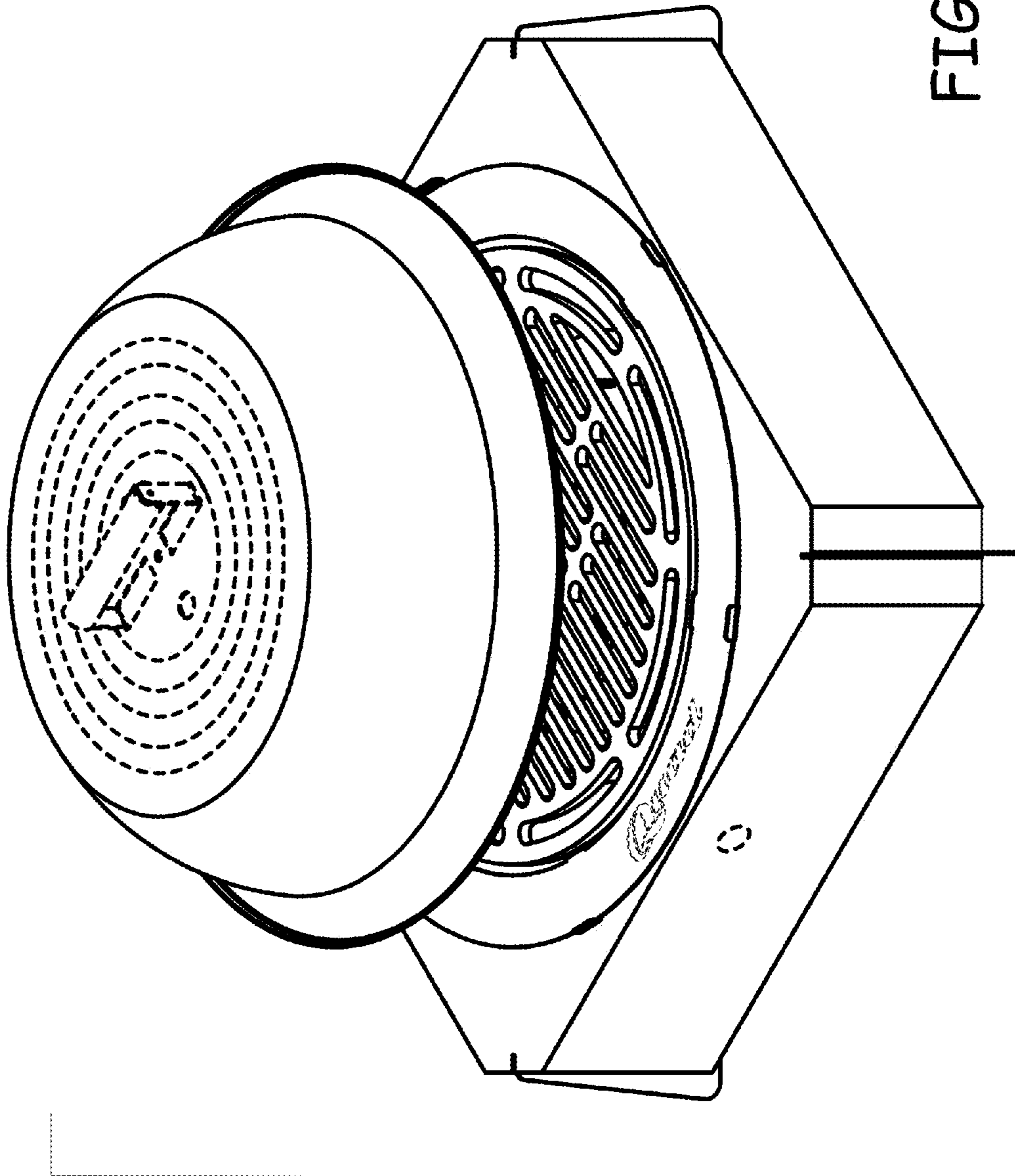


FIG. 1

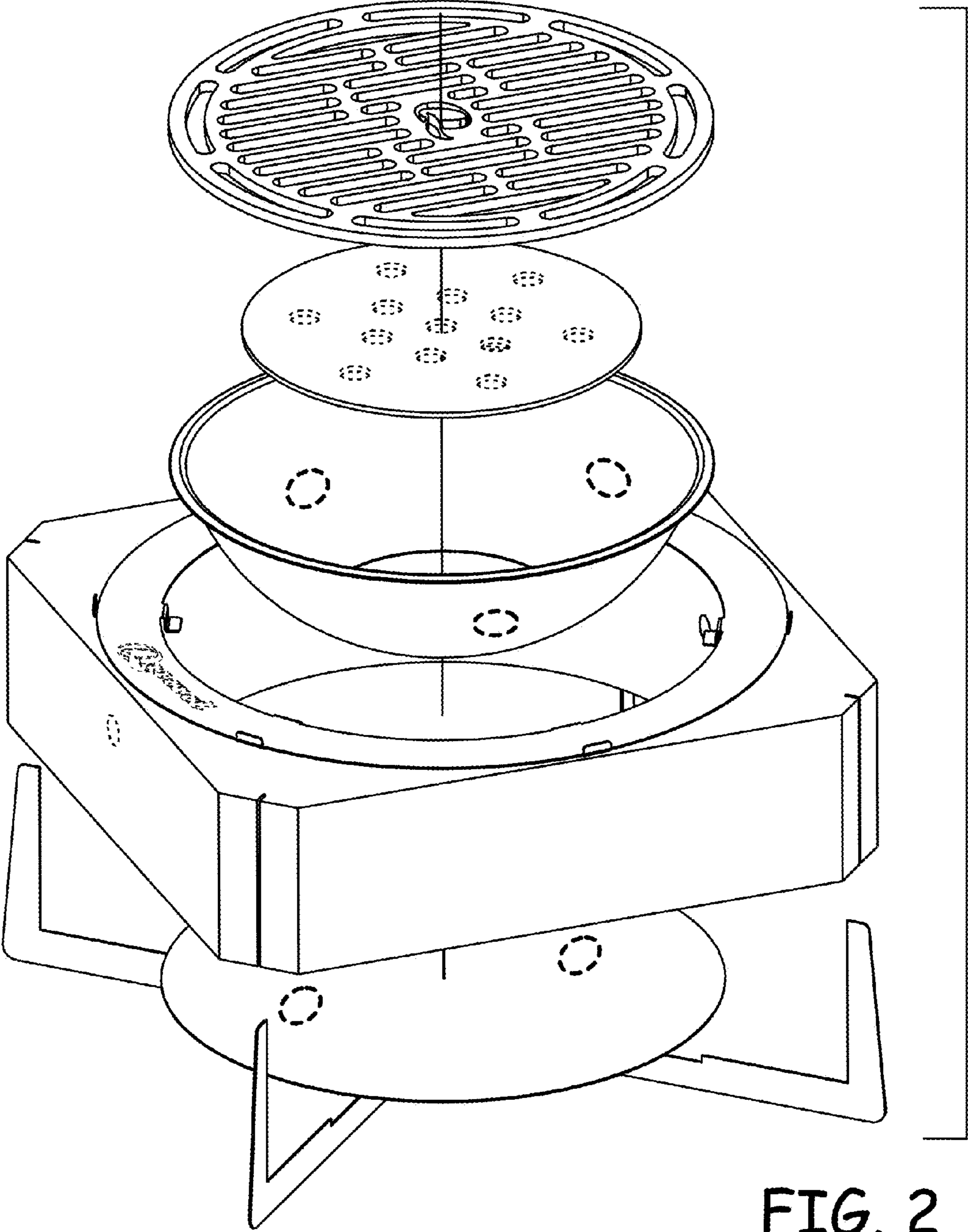


FIG. 2

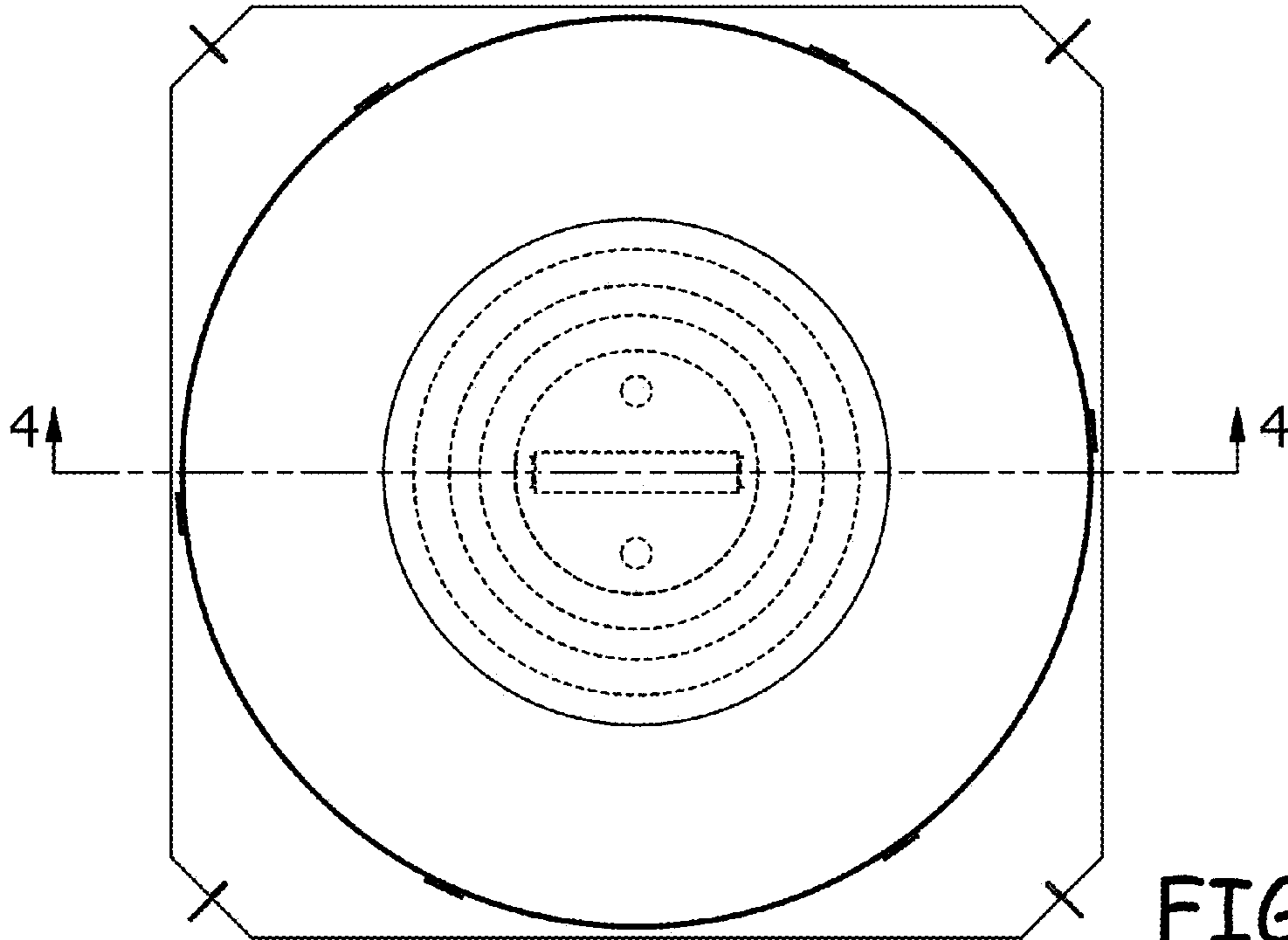


FIG. 3

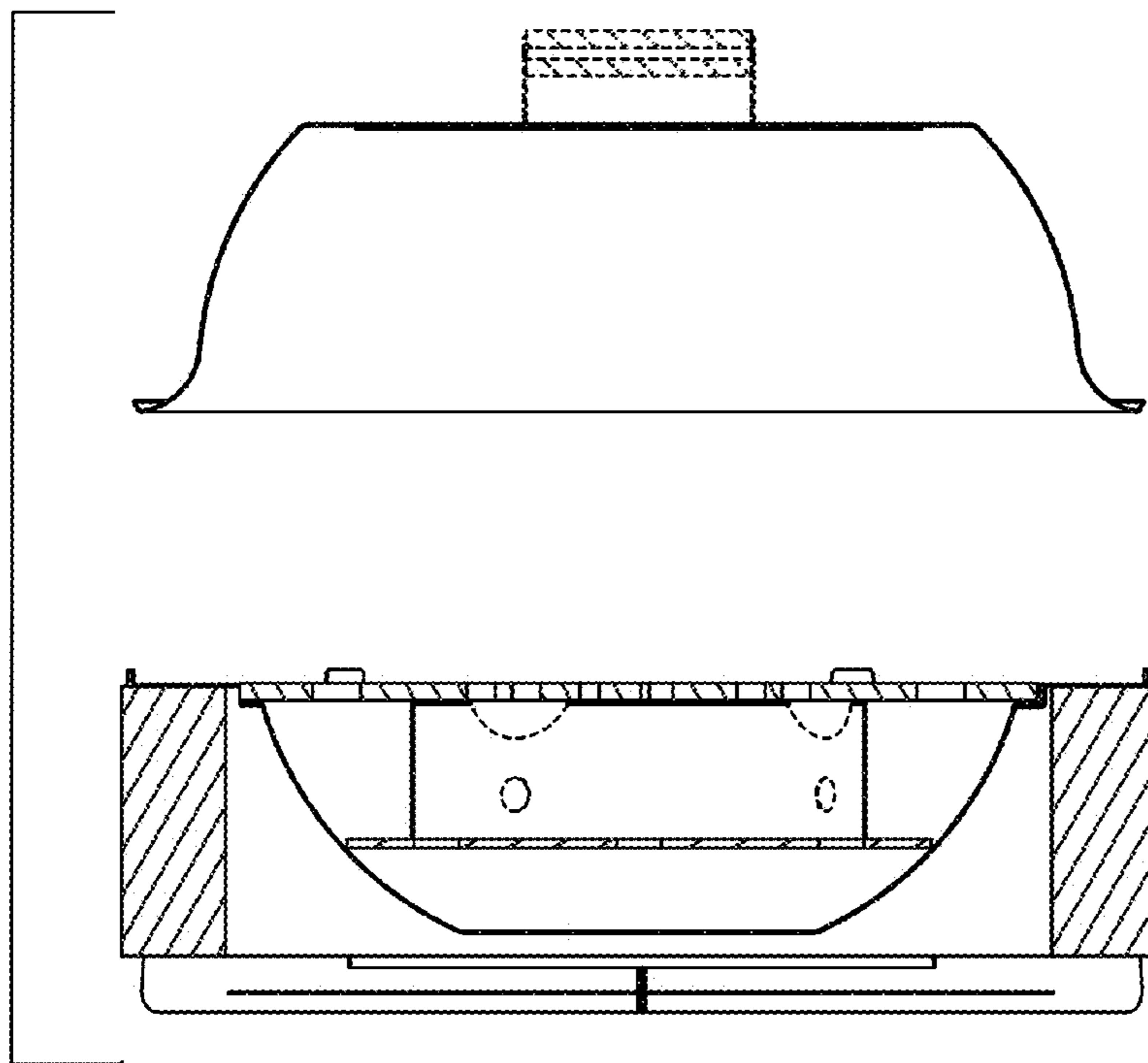


FIG. 4

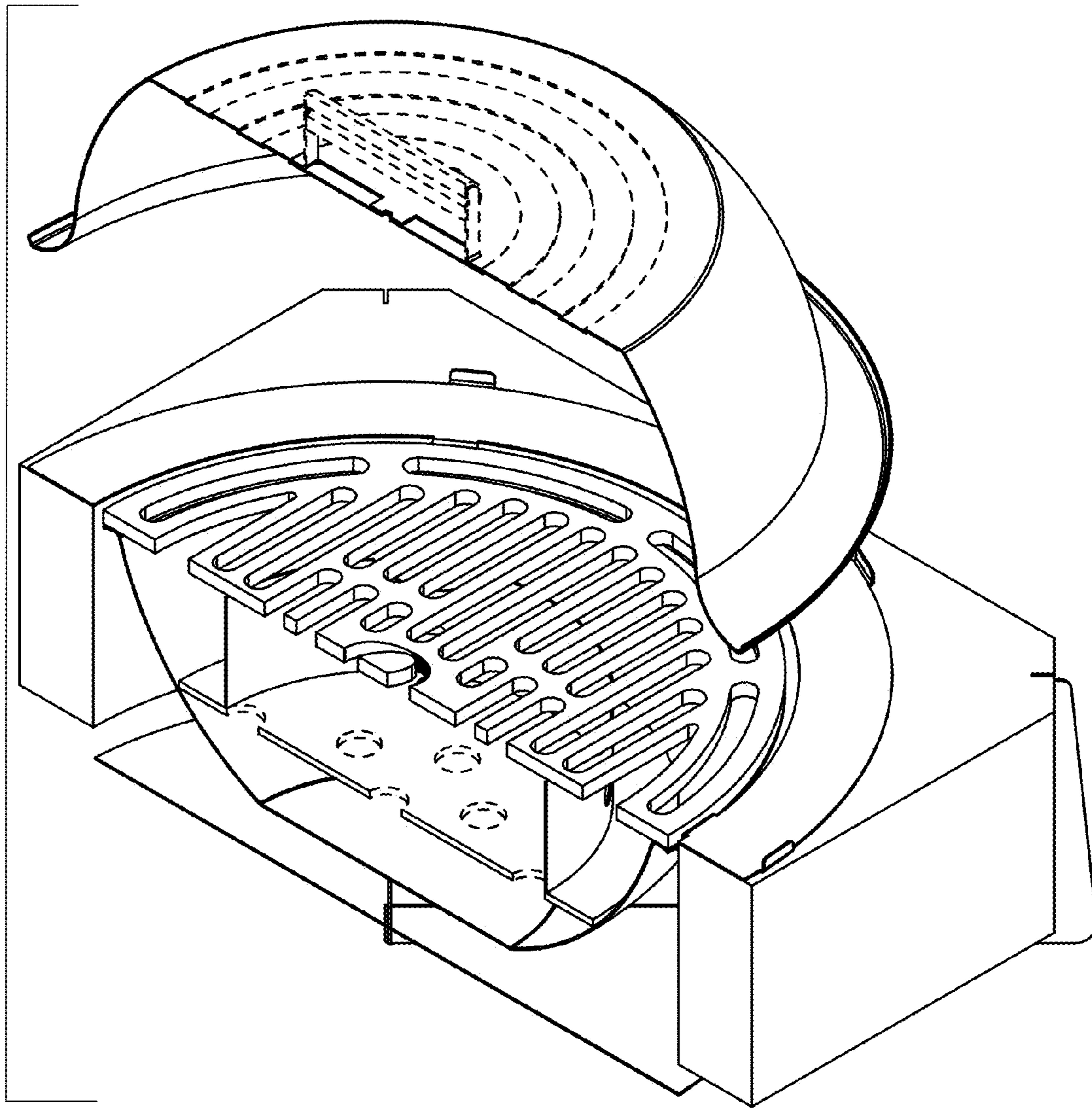


FIG. 5

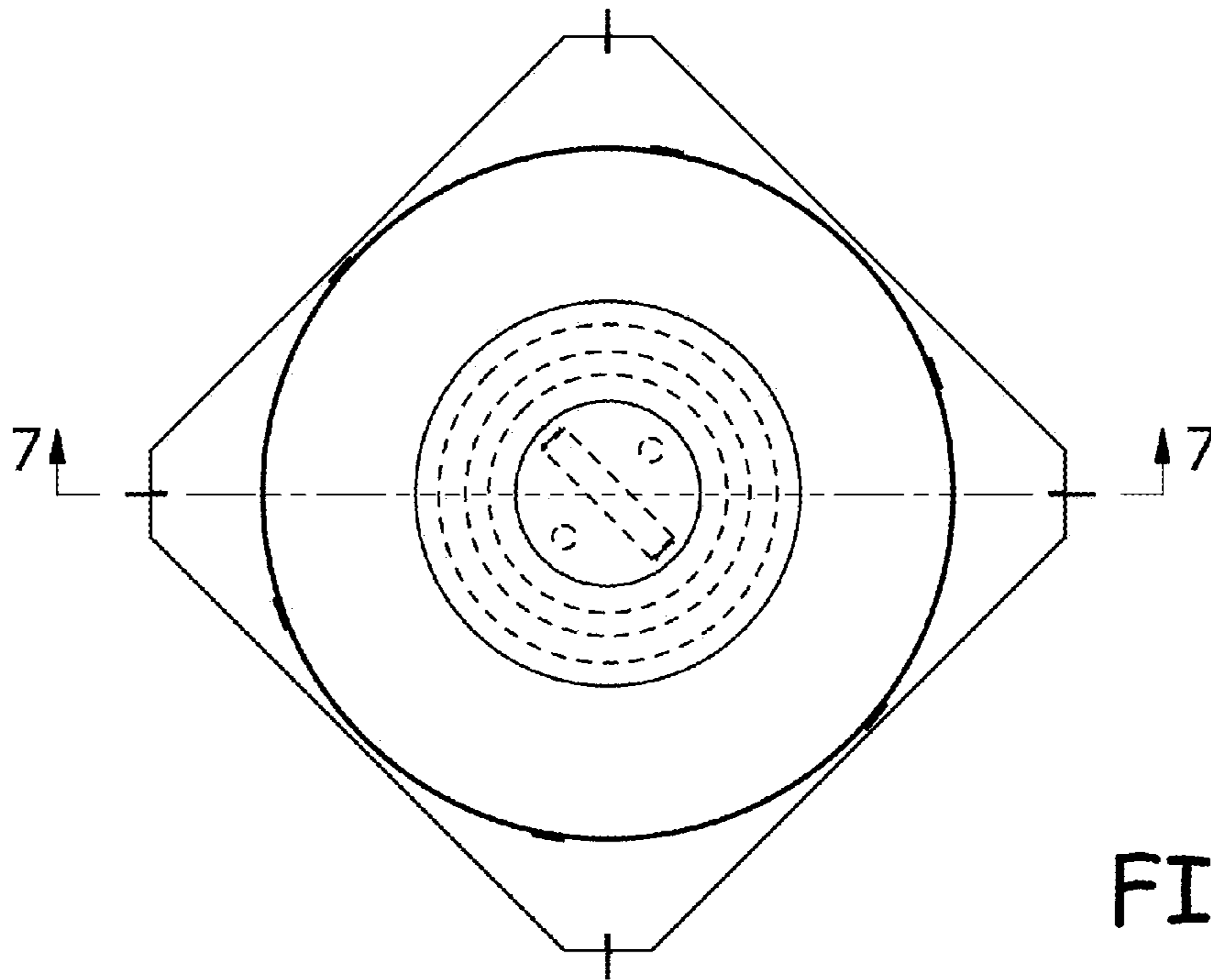


FIG. 6

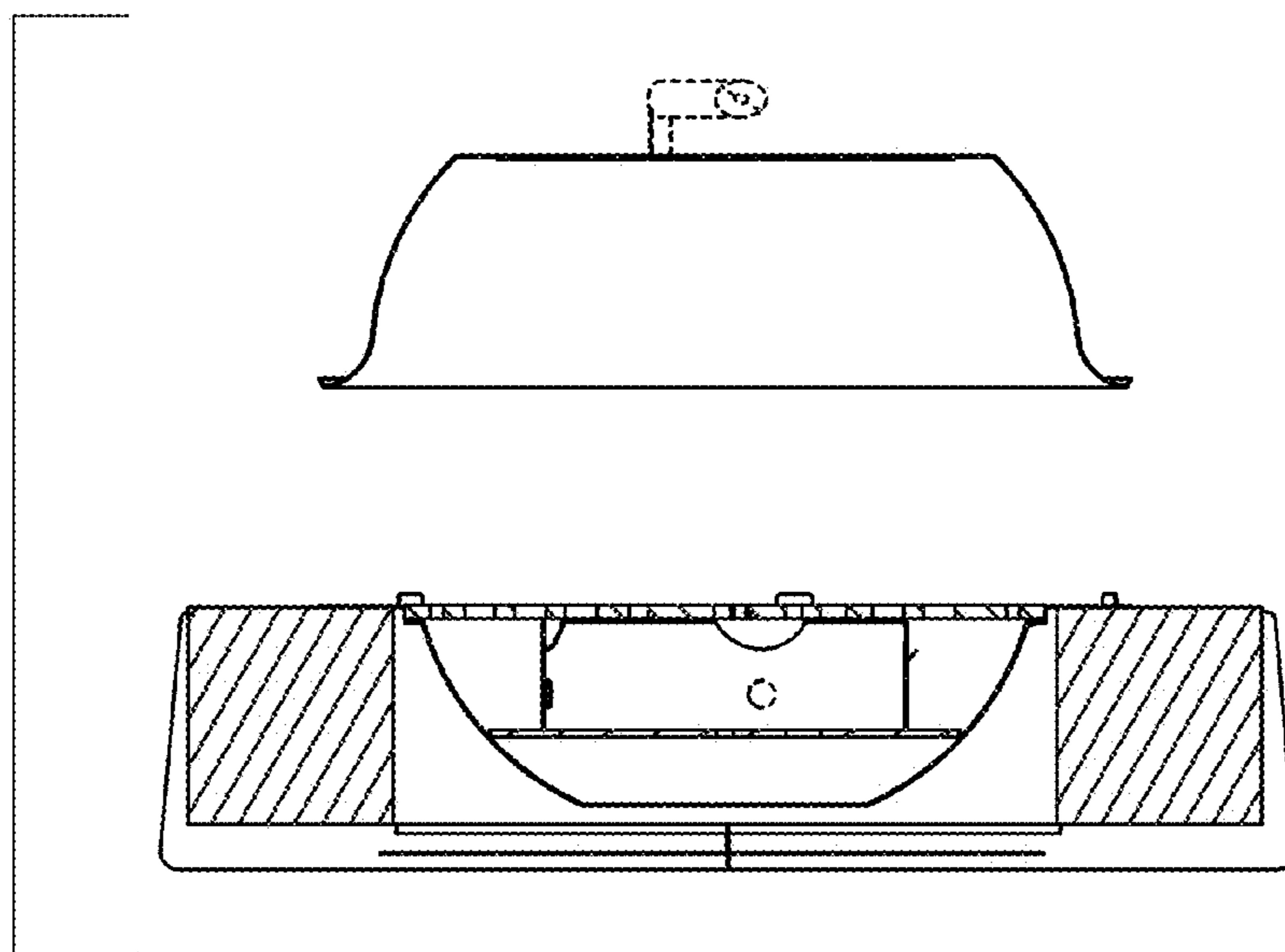


FIG. 7

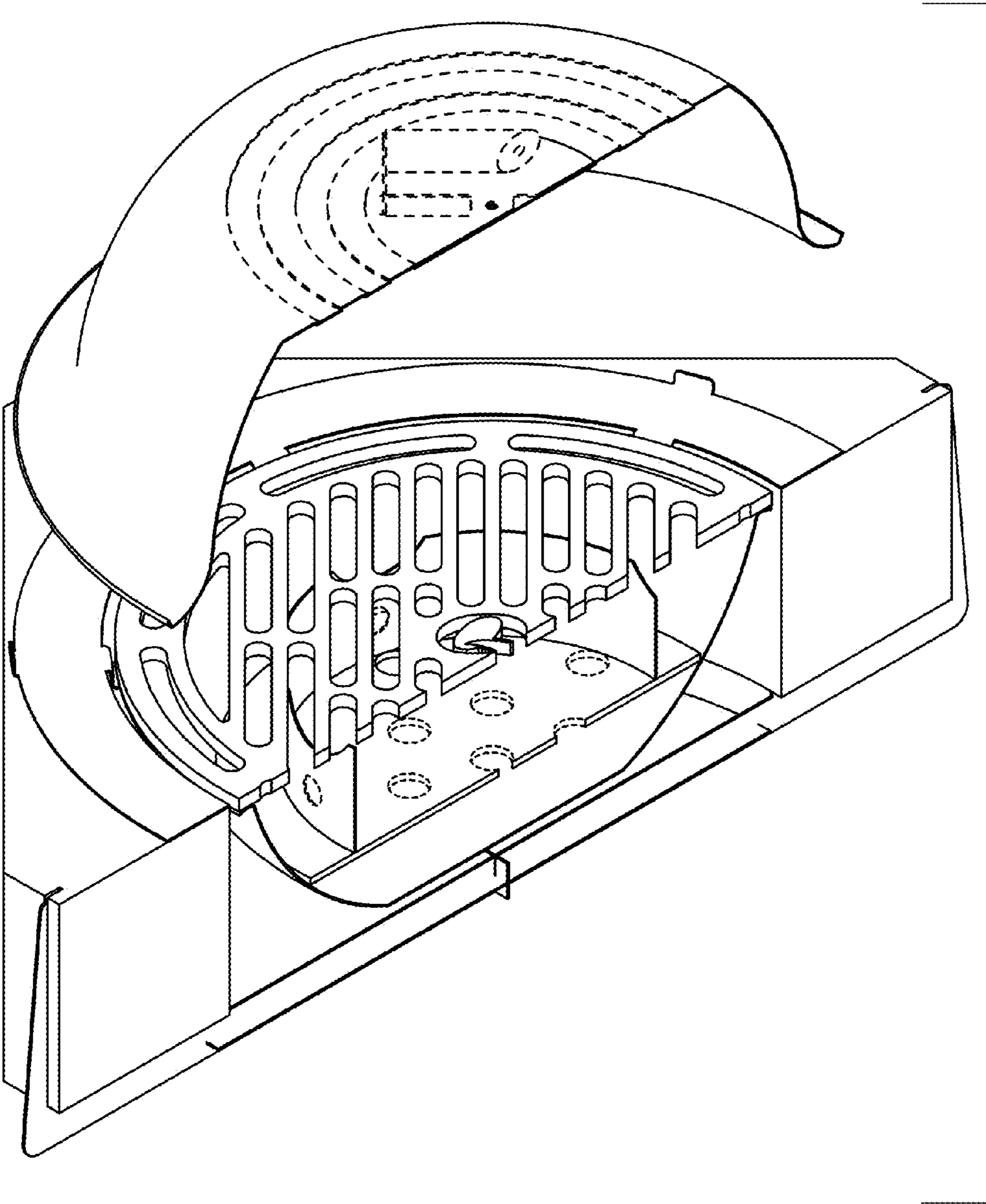


FIG. 8

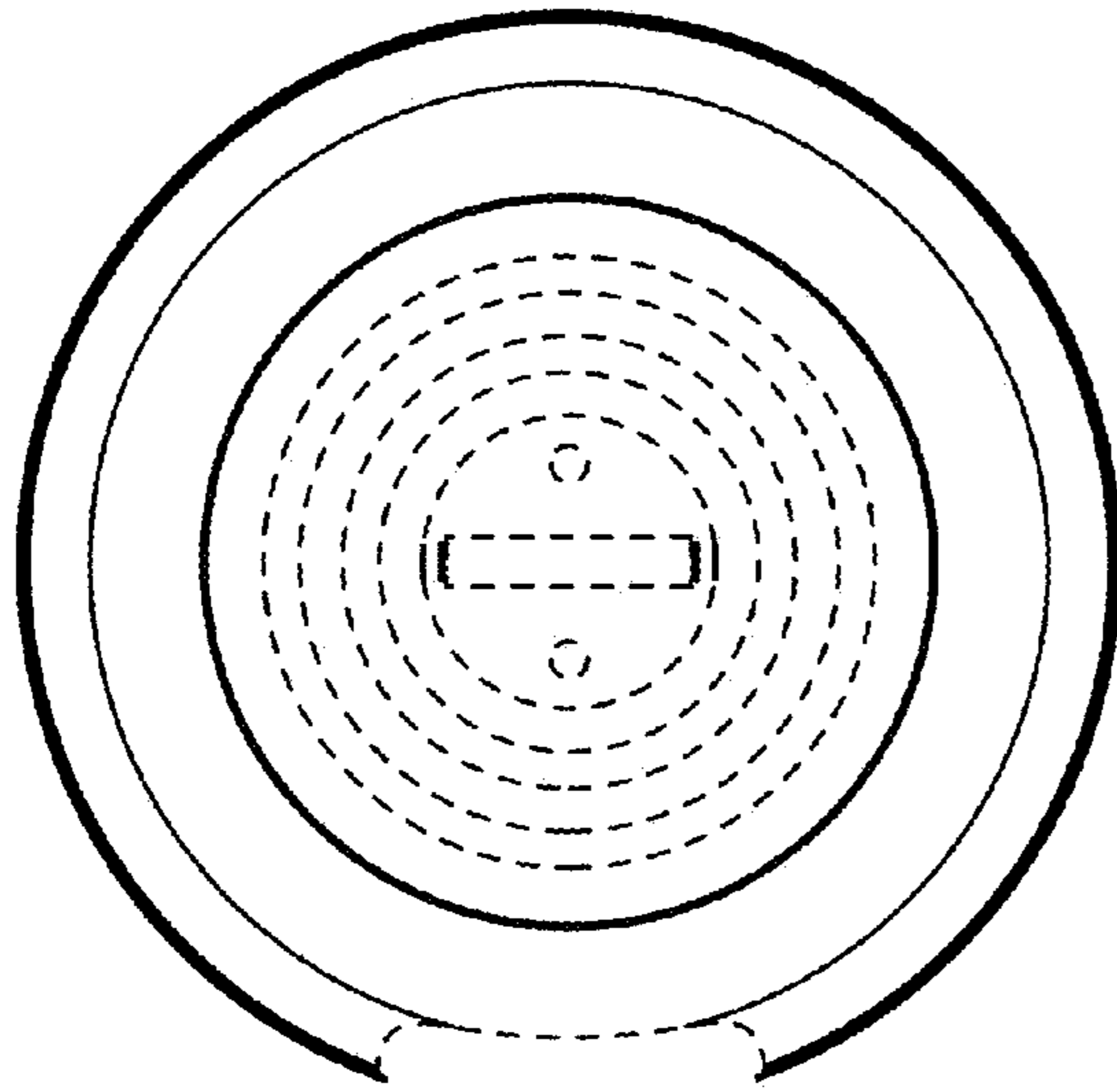


FIG. 9C

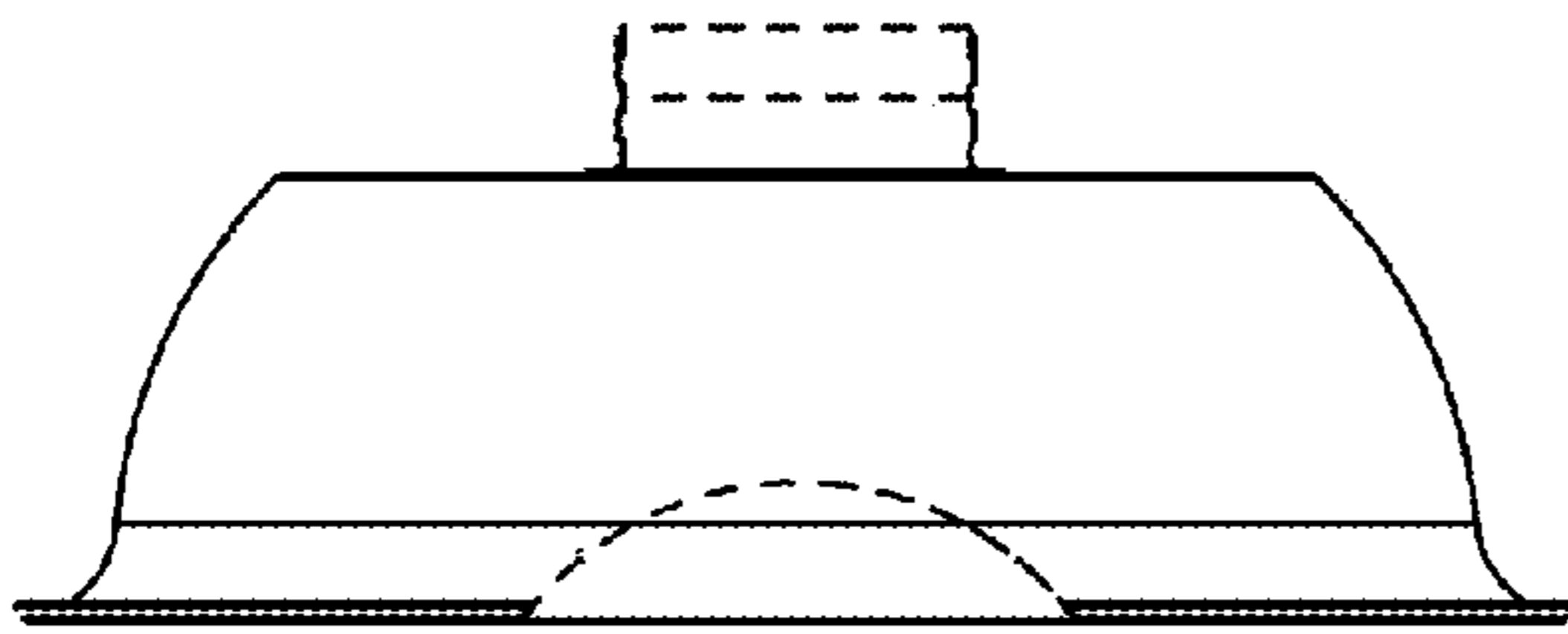


FIG. 9B

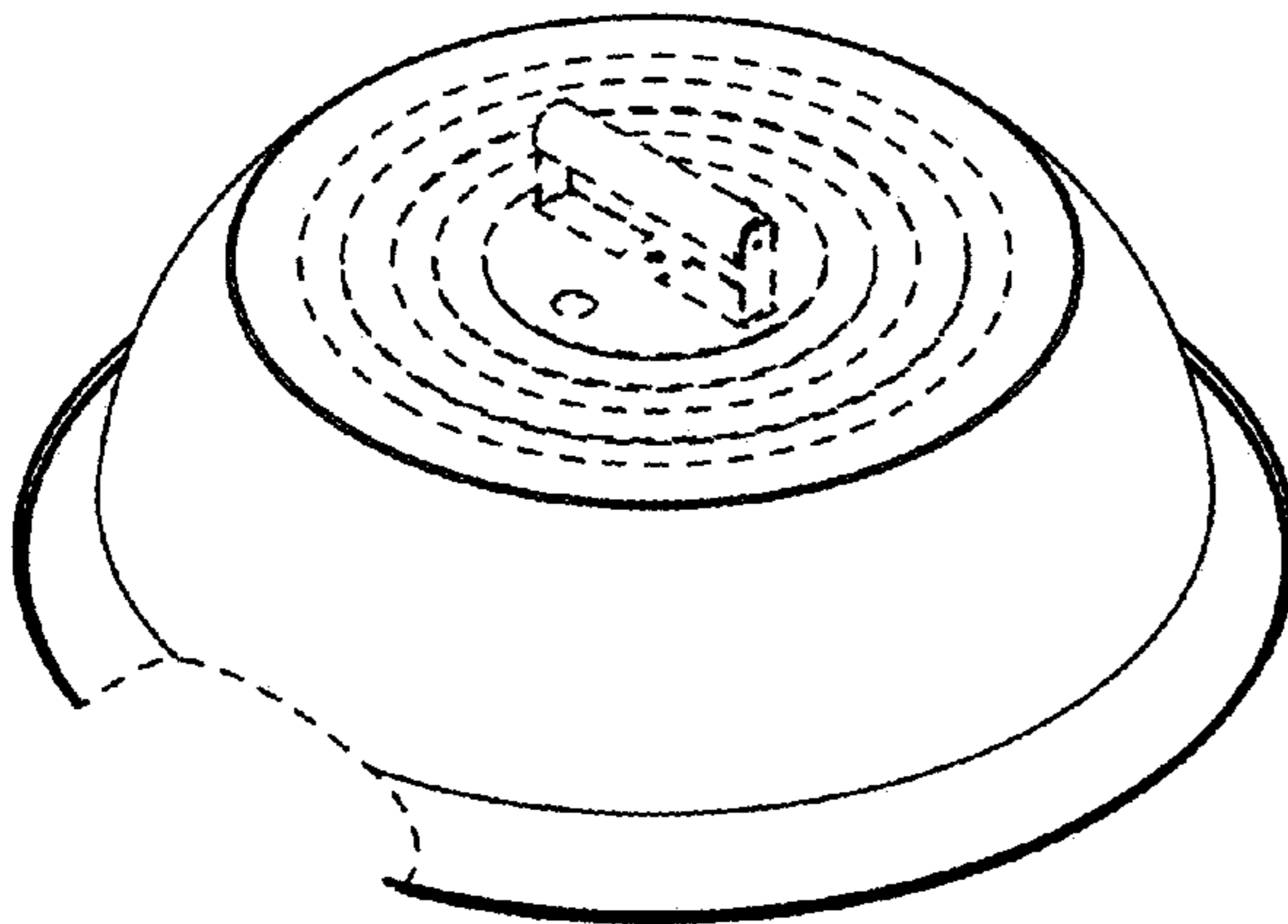


FIG. 9A