



US00D730679S

(12) **United States Design Patent**
Wu

(10) **Patent No.:** **US D730,679 S**
(45) **Date of Patent:** **** Jun. 2, 2015**

(54) **GRILL COOKWARE**

(71) Applicant: **TSANN KUEN (ZHANGZHOU)**
ENTERPRISE CO., LTD., Zang Zhou,
Fujian (CN)

(72) Inventor: **Han-Ming Wu**, Zhang Zhou (CN)

(73) Assignee: **TSANN KUEN (ZHANGZHOU)**
ENTERPRISE CO., LTD., Zhang Zhou
(CN)

(**) Term: **14 Years**

(21) Appl. No.: **29/487,940**

(22) Filed: **Apr. 14, 2014**

(30) **Foreign Application Priority Data**

Oct. 12, 2013 (CN) 2013 3 0482150

(51) **LOC (10) Cl.** **07-02**

(52) **U.S. Cl.**
USPC **D7/362; D7/363**

(58) **Field of Classification Search**
USPC D7/323, 328-330, 337, 347, 352-364,
D7/367, 402, 409-411; 99/324-326, 331,
99/339, 349, 356-357, 372-379, 425,
99/444-446; 219/385-386, 450.1, 472,
219/524-525, 620-622, 732-734
CPC A21B 5/023; A47J 27/004; A47J 27/60;
A47J 27/62; A47J 37/04; A47J 37/06; A47J
37/067; A47J 37/0605; A47J 37/0611; A47J
37/0623; A47J 37/0629; A47J 37/0676;
A47J 2037/06; A47J 2037/0611; F24C 15/10;
F24C 15/102; H05B 6/02; H05B 6/062
See application file for complete search history.

(56) **References Cited**

U.S. PATENT DOCUMENTS

D286,494	S	*	11/1986	Lastuck	D7/363
5,884,555	A	*	3/1999	Chang	99/425
D431,152	S	*	9/2000	Lee	D7/362
D436,796	S	*	1/2001	Kalina et al.	D7/363
D437,183	S	*	2/2001	Wong et al.	D7/362
D441,250	S	*	5/2001	Choi	D7/362
6,262,399	B1	*	7/2001	Lau et al.	219/450.1
D452,630	S	*	1/2002	Choi	D7/362
D457,393	S	*	5/2002	Lewis	D7/402
D570,154	S	*	6/2008	Wang	D7/359
D618,047	S	*	6/2010	Seymour	D7/367
7,872,213	B2	*	1/2011	De Leon et al.	219/385
D702,500	S	*	4/2014	Ishii et al.	D7/409

* cited by examiner

Primary Examiner — Ricky Pham

(74) *Attorney, Agent, or Firm* — Rabin & Berdo, P.C.

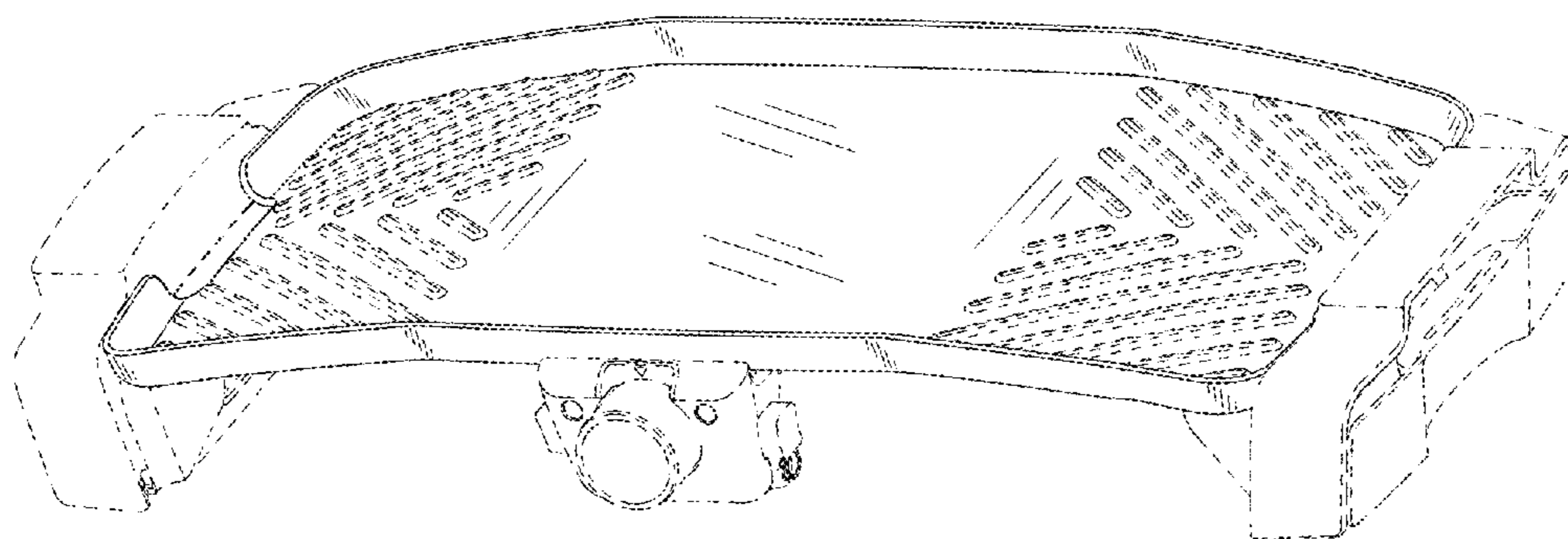
(57) **CLAIM**

The ornamental design for a grill cookware, as shown and described.

DESCRIPTION

FIG. 1 is a front view of a grill cookware showing my new design;
FIG. 2 is a rear view thereof;
FIG. 3 is a left side view thereof;
FIG. 4 is a right side view thereof;
FIG. 5 is a top plan view thereof;
FIG. 6 is a bottom plan view thereof; and,
FIG. 7 is a perspective view thereof.
The broken line showing in Figures is for illustrative purposes only and forms no part of the claimed design.

1 Claim, 7 Drawing Sheets



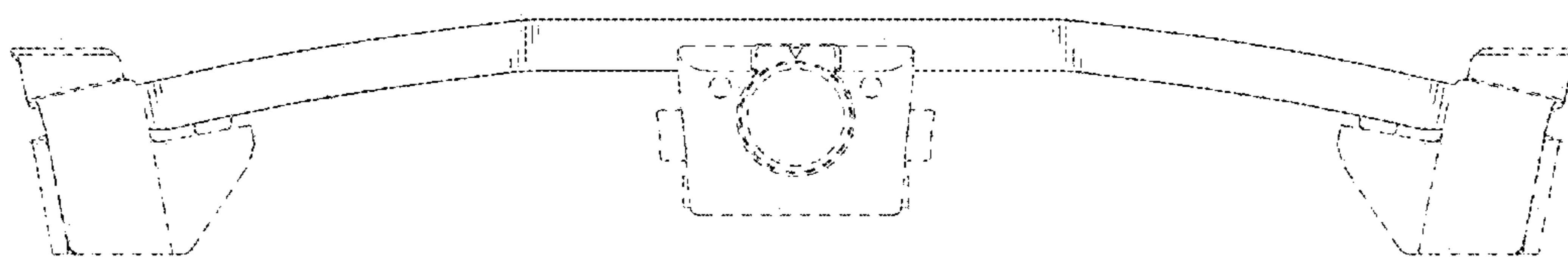


FIG. 1

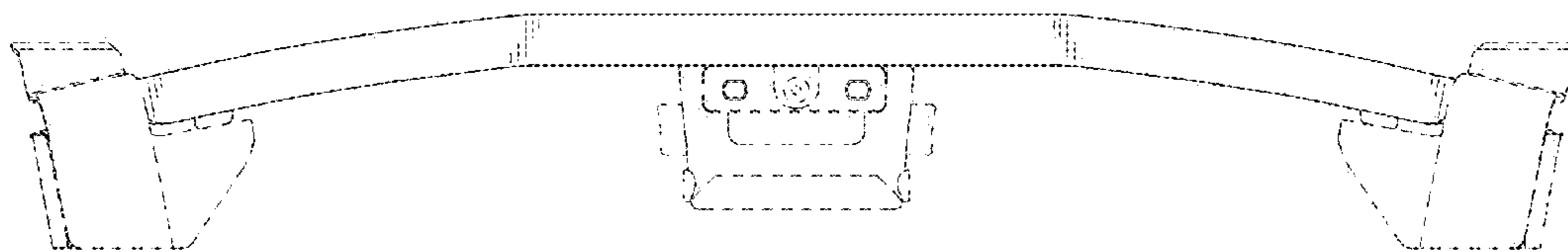


FIG. 2

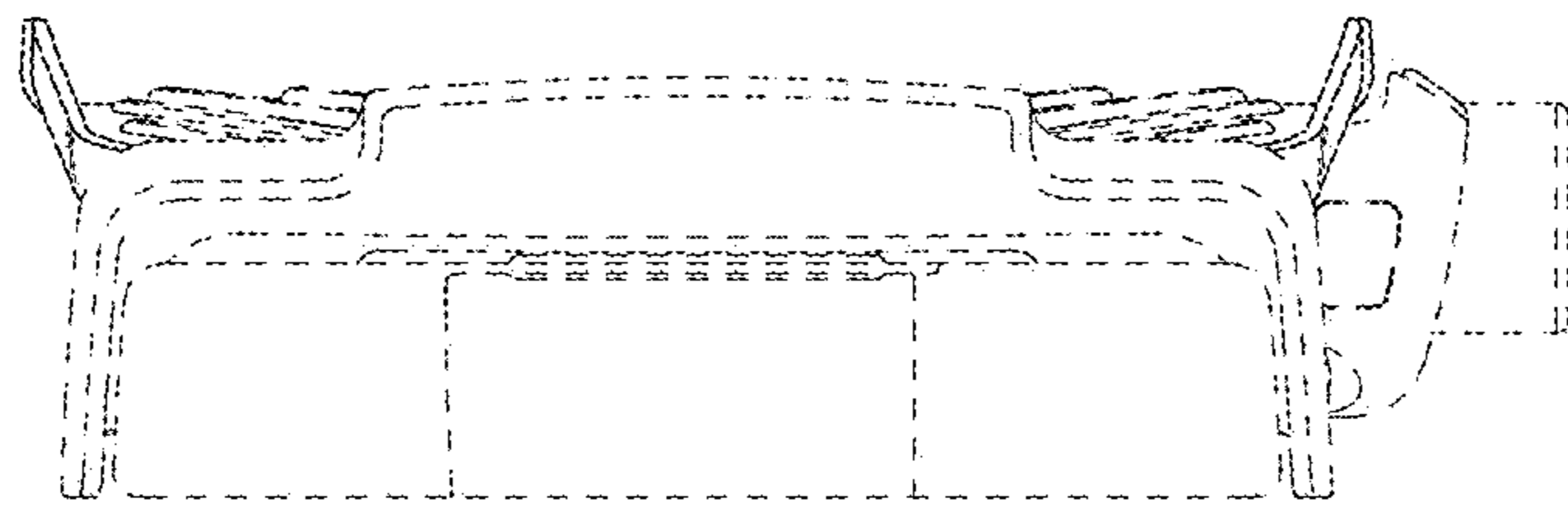


FIG. 3

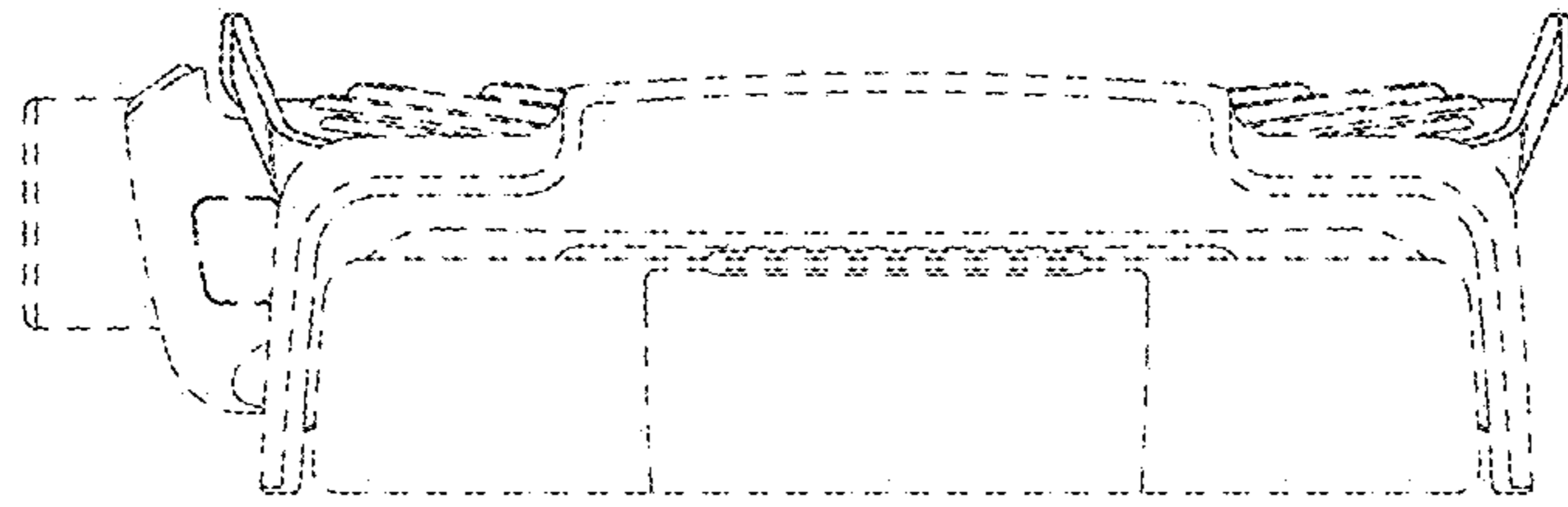


FIG. 4

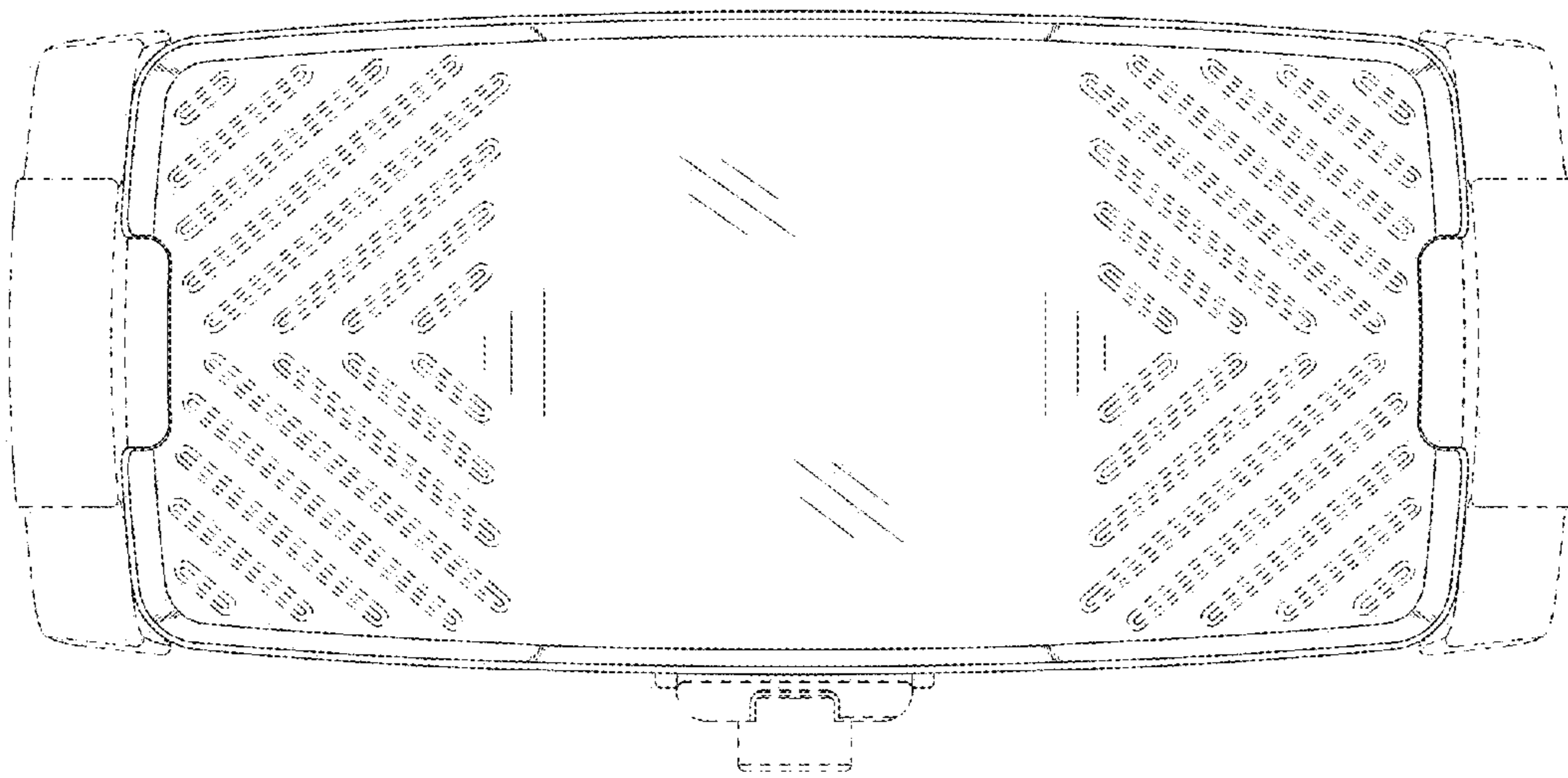


FIG. 5

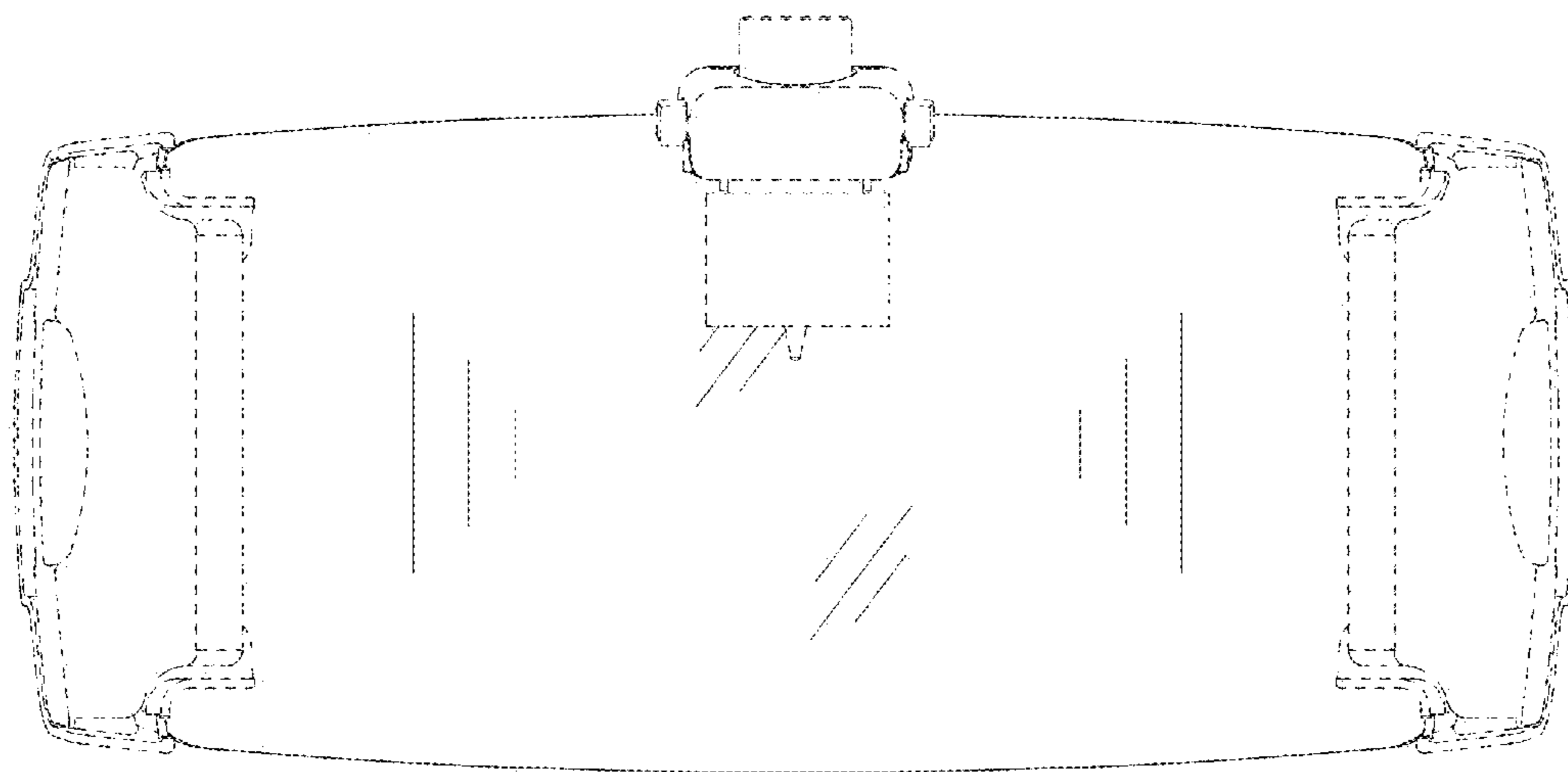


FIG. 6

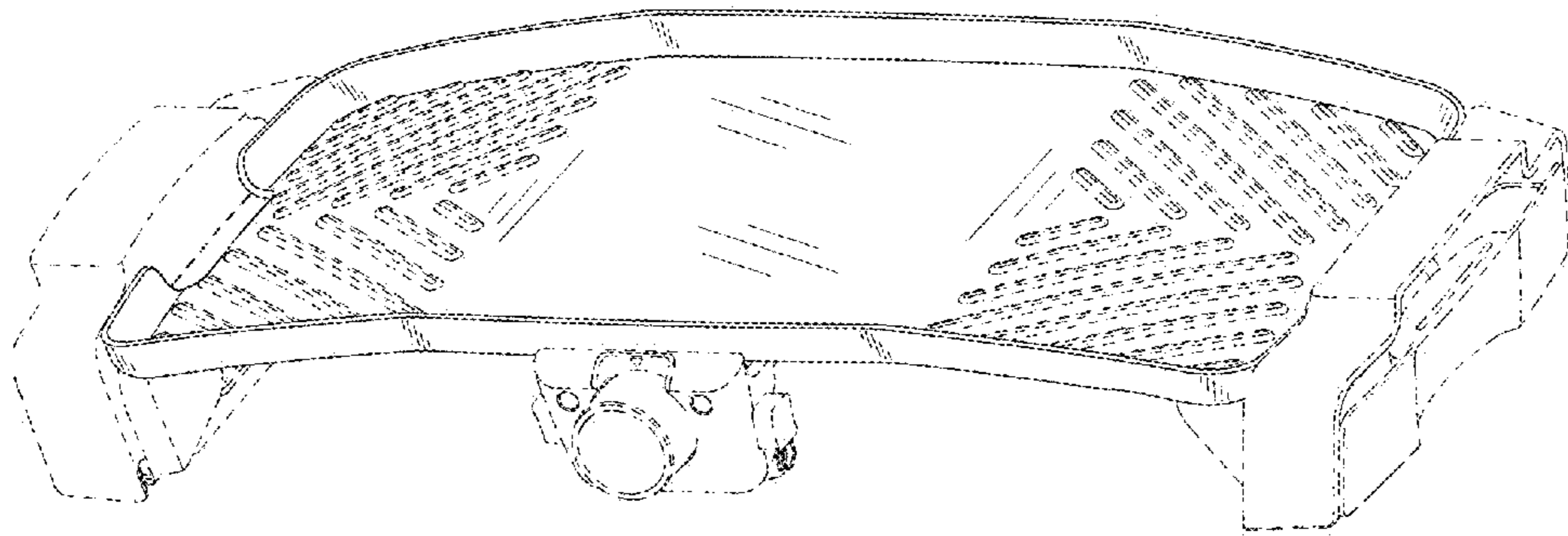


FIG. 7