

US00D730677S

(12) **United States Design Patent**
Figueroa

(10) **Patent No.:** **US D730,677 S**

(45) **Date of Patent:** **** Jun. 2, 2015**

(54) **CHARCOAL BURNING STOVE**

(71) Applicant: **Oscar Enrique Figueroa**, Santa Tecla (SV)

(72) Inventor: **Oscar Enrique Figueroa**, Santa Tecla (SV)

(**) Term: **14 Years**

(21) Appl. No.: **29/467,958**

(22) Filed: **Sep. 25, 2013**

(51) **LOC (10) Cl.** **07-02**

(52) **U.S. Cl.**

USPC **D7/337**

(58) **Field of Classification Search**

USPC D7/332, 334-337, 402-405

CPC ... A47J 37/07; A47J 37/0704; A47J 37/0709;
A47J 37/0713; A47J 37/0718; A47J 37/0727;
A47J 37/0731; A47J 37/0763; A47J 37/0772;
A47J 36/26; F24B 1/182; F24B 1/202; F24B
3/00; F24B 13/00; F24C 3/085; F24C 3/14;
F24C 5/00; F24C 5/20; F24C 15/08; F24C
15/10; F24C 15/18

See application file for complete search history.

(56) **References Cited**

U.S. PATENT DOCUMENTS

D191,970 S *	12/1961	Hecht	D7/337
D241,601 S *	9/1976	Cook	D7/356
D270,420 S *	9/1983	Baugh	D7/337
D435,191 S *	12/2000	Cooper	D7/337
D463,197 S *	9/2002	Hall	D7/337
D488,023 S *	4/2004	Siegel et al.	D7/337
D503,584 S *	4/2005	White et al.	D7/355
D525,821 S *	8/2006	Latzman et al.	D7/355
D618,040 S *	6/2010	Hoff et al.	D7/356
D625,548 S *	10/2010	Lavy et al.	D7/366

D682,010 S *	5/2013	Stith	D7/356
2008/0029082 A1 *	2/2008	Dowst et al.	126/9 B
2009/0199839 A1 *	8/2009	Hulsey	126/25 A

* cited by examiner

Primary Examiner — Ruth McInroy

(57) **CLAIM**

I claim the ornamental design for a charcoal burning stove, as shown and described.

DESCRIPTION

FIG. 1 is a three dimensional view of a first embodiment of a charcoal burning stove according to design;

FIG. 2 is a front view of the charcoal burning stove of FIG. 1;

FIG. 3 is a rear view of the charcoal burning stove of FIG. 1;

FIG. 4 is a top view of the charcoal burning stove of FIG. 1;

FIG. 5 is a right side view of the charcoal burning stove of FIG. 1;

FIG. 6 left side of the charcoal burning stove of FIG. 1;

FIG. 7 is a bottom view of the charcoal burning stove of FIG. 1;

FIG. 8 is a three dimensional view of a second embodiment of a charcoal burning stove according to my design;

FIG. 9 is a front view of the charcoal burning stove of FIG. 8;

FIG. 10 is a rear view of the charcoal burning stove of FIG. 8;

FIG. 11 is a top view of the charcoal burning stove of FIG. 8;

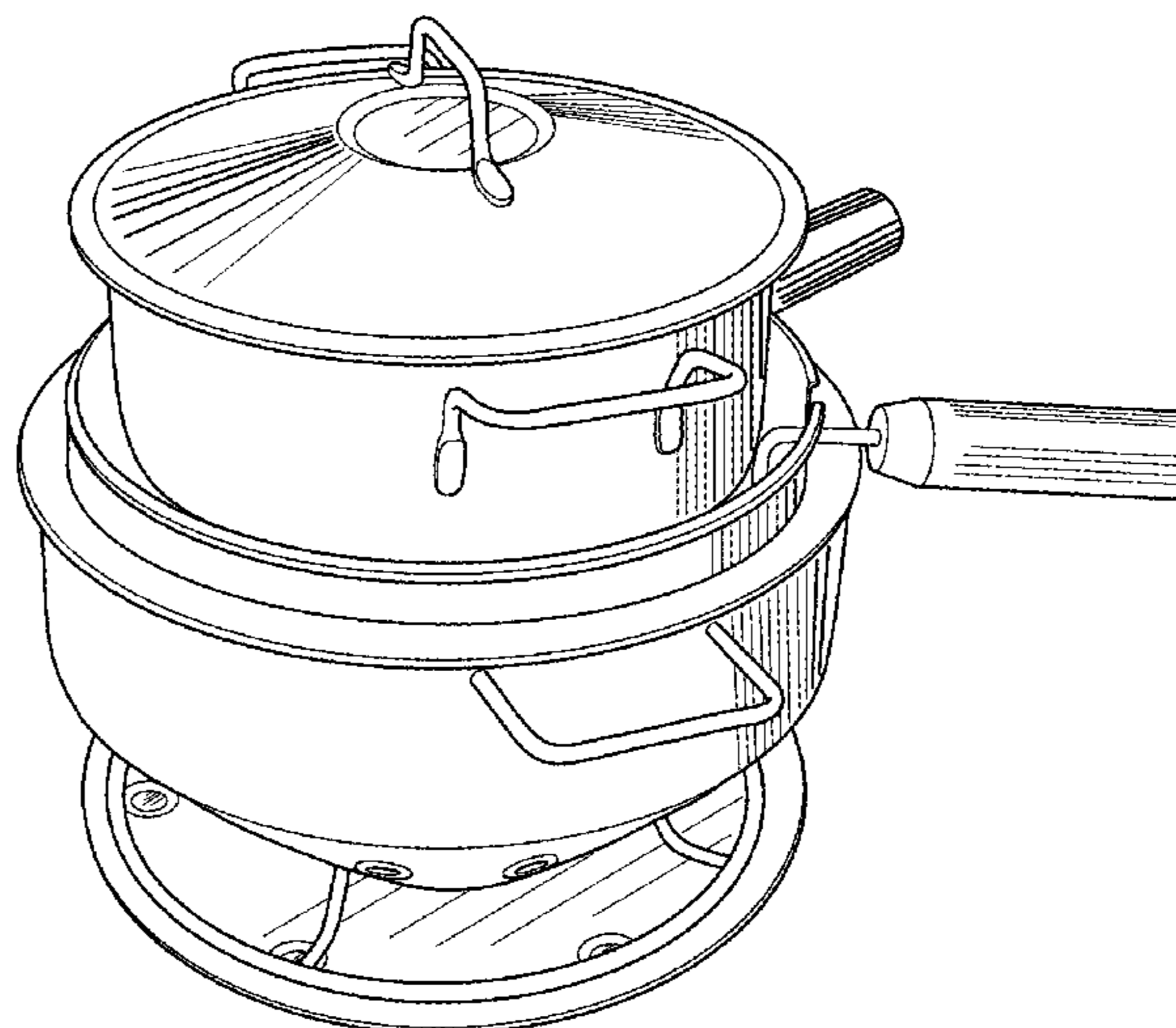
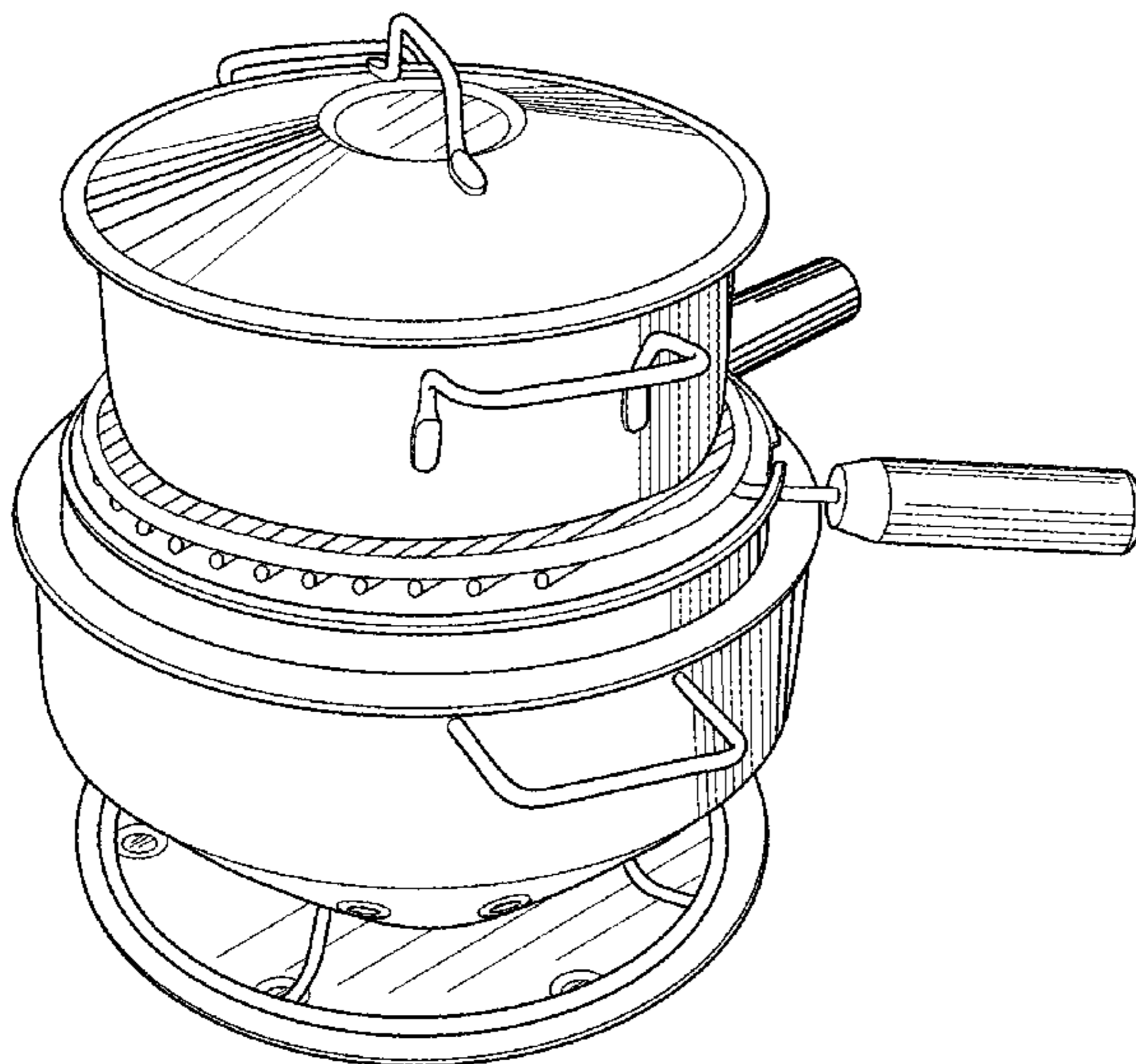
FIG. 12 is a right side view of the charcoal burning stove of FIG. 8;

FIG. 13 is a left side of the charcoal burning stove of FIG. 8; and,

FIG. 14 is a bottom view of the charcoal burning stove of FIG. 8.

In FIGS. 7 and 14, details have been shown in broken lines since the bottom is not visible during normal use of the stove.

1 Claim, 14 Drawing Sheets



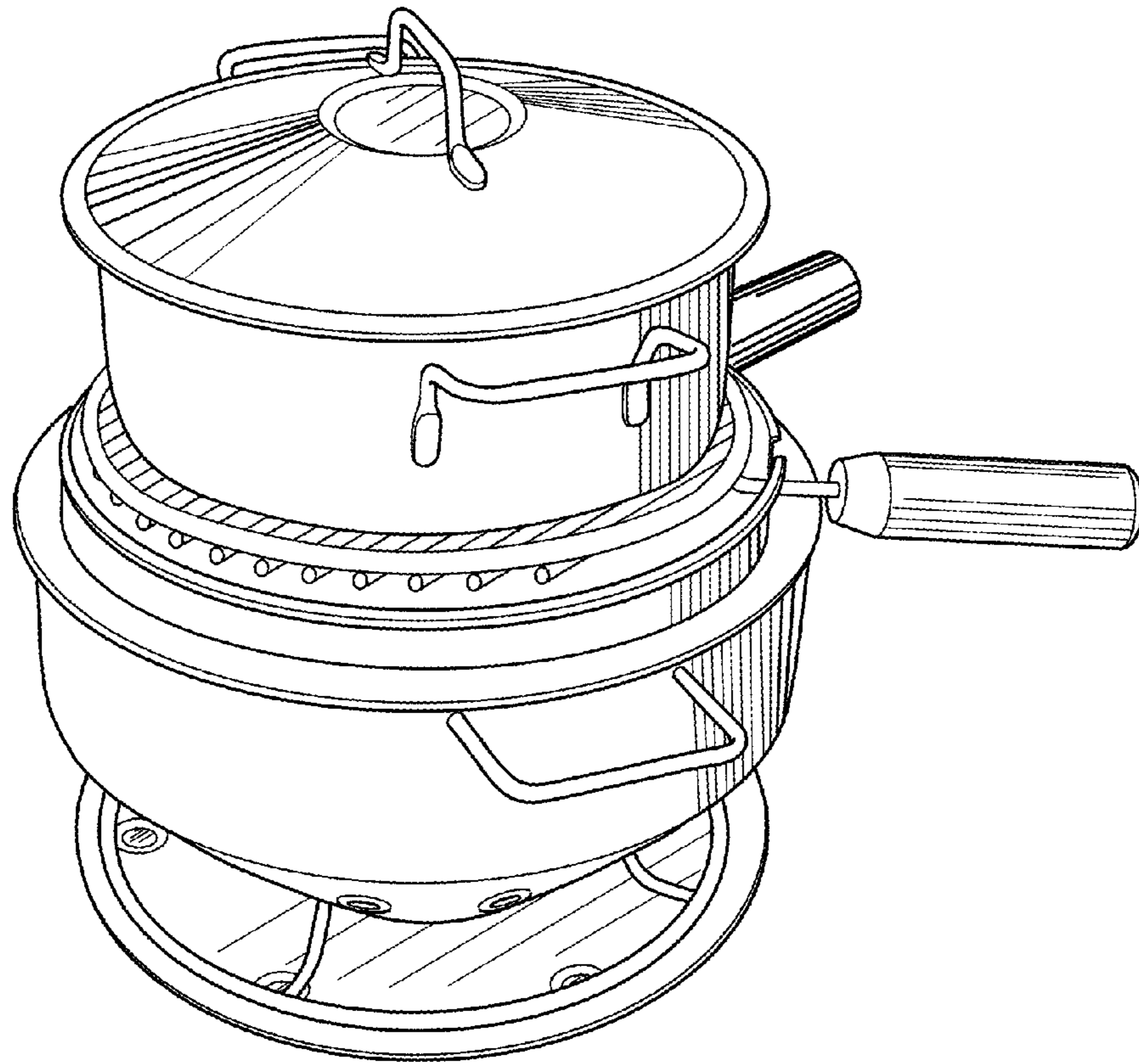


FIG. 1

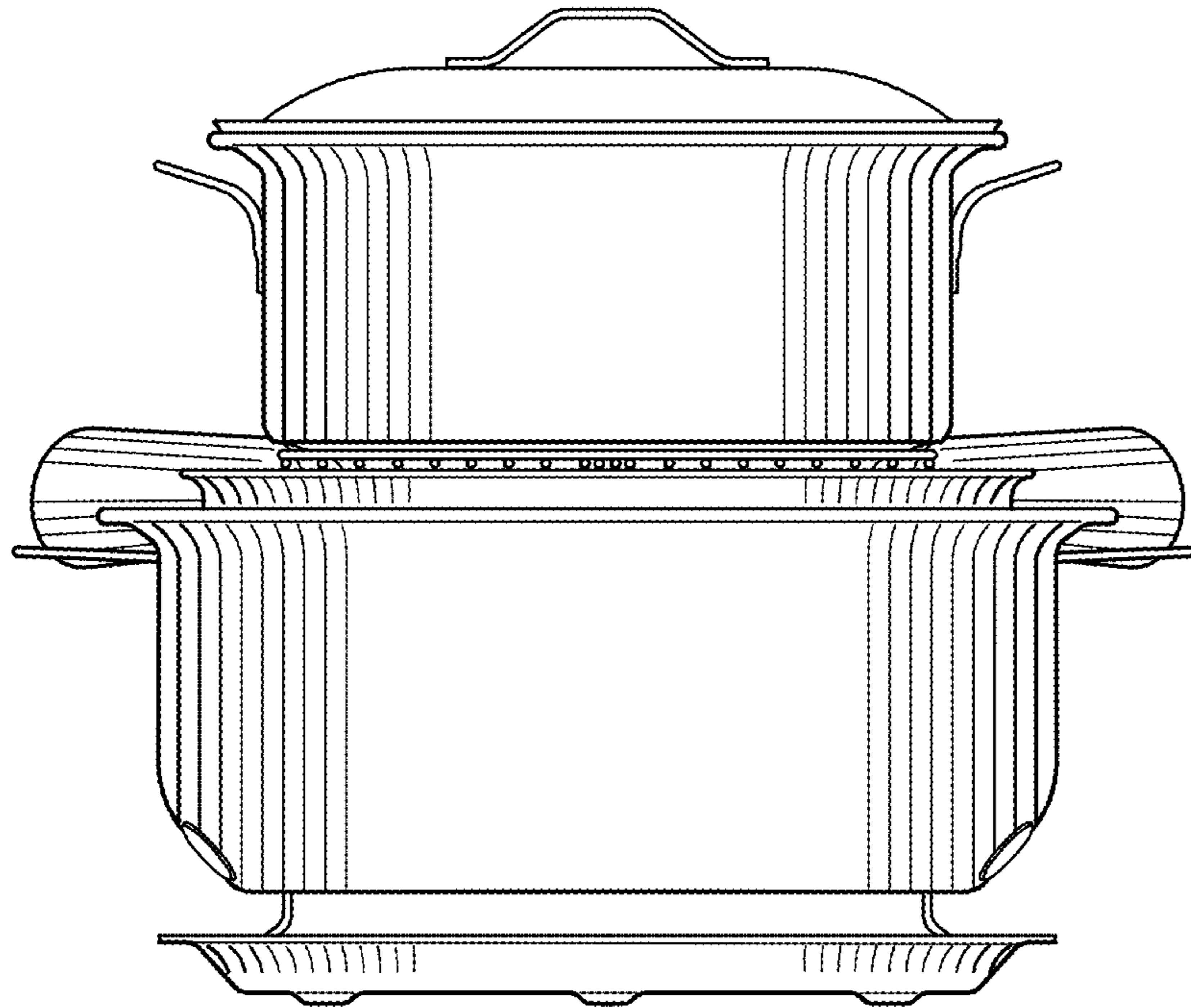


FIG. 2

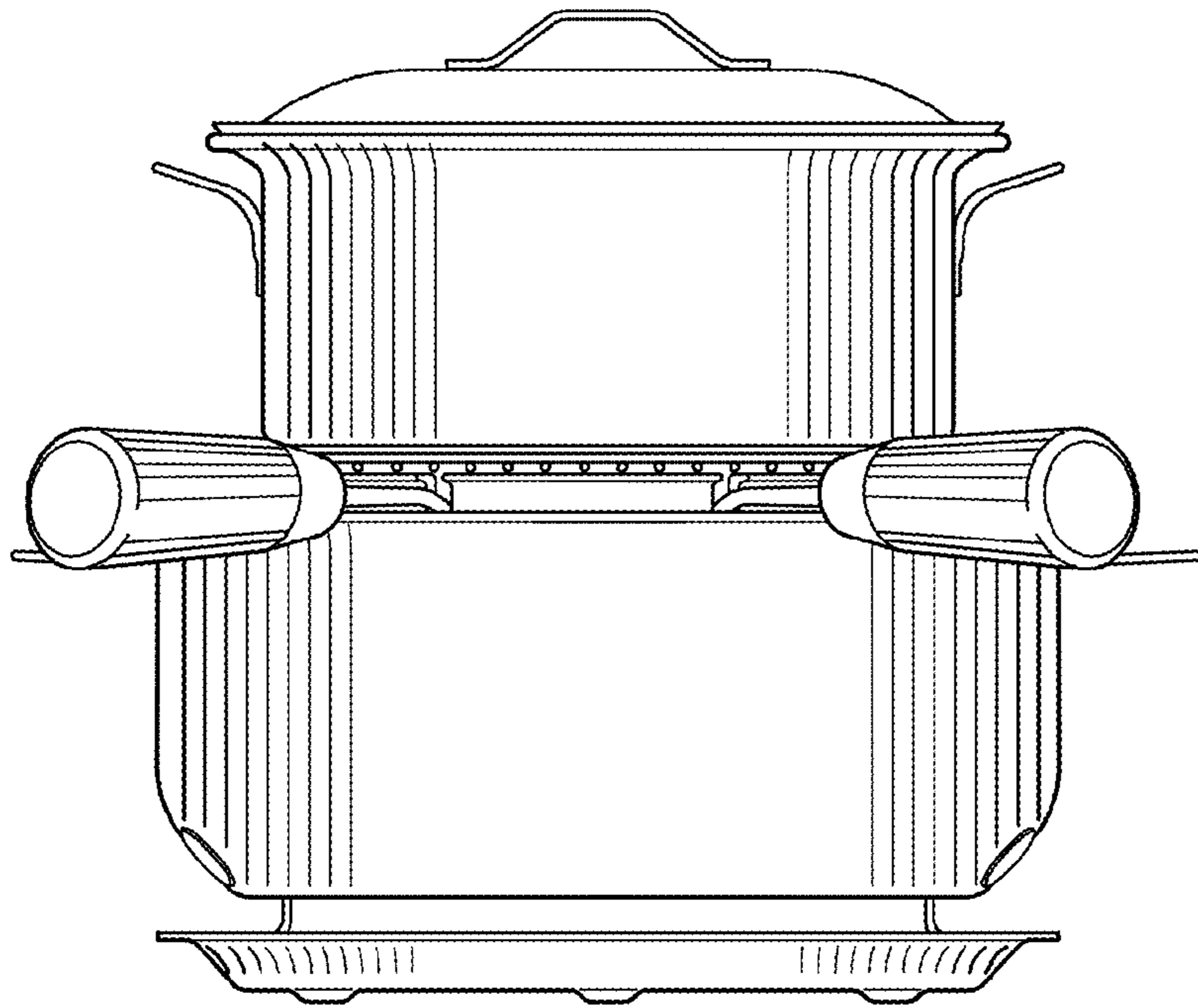


FIG. 3

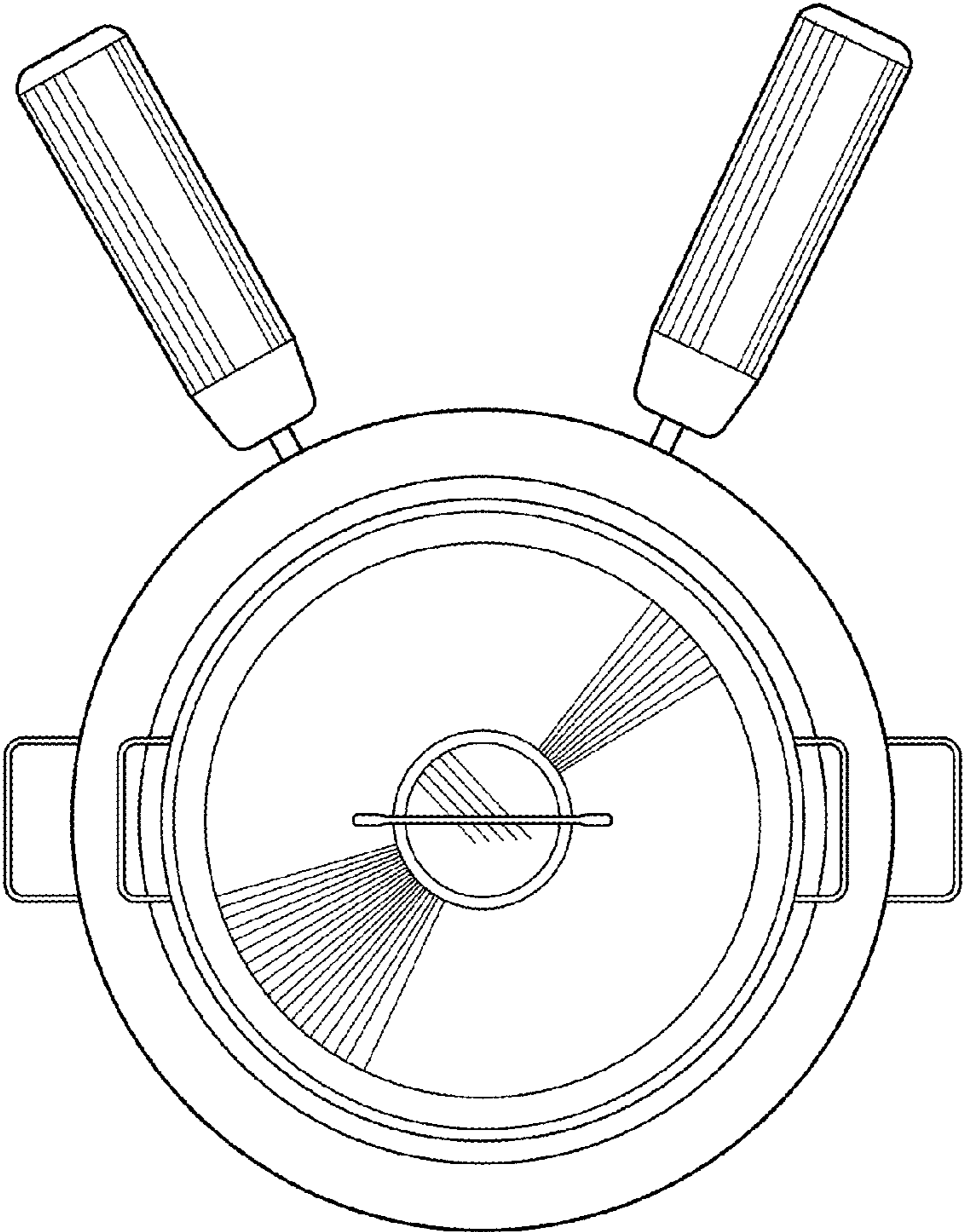


FIG. 4

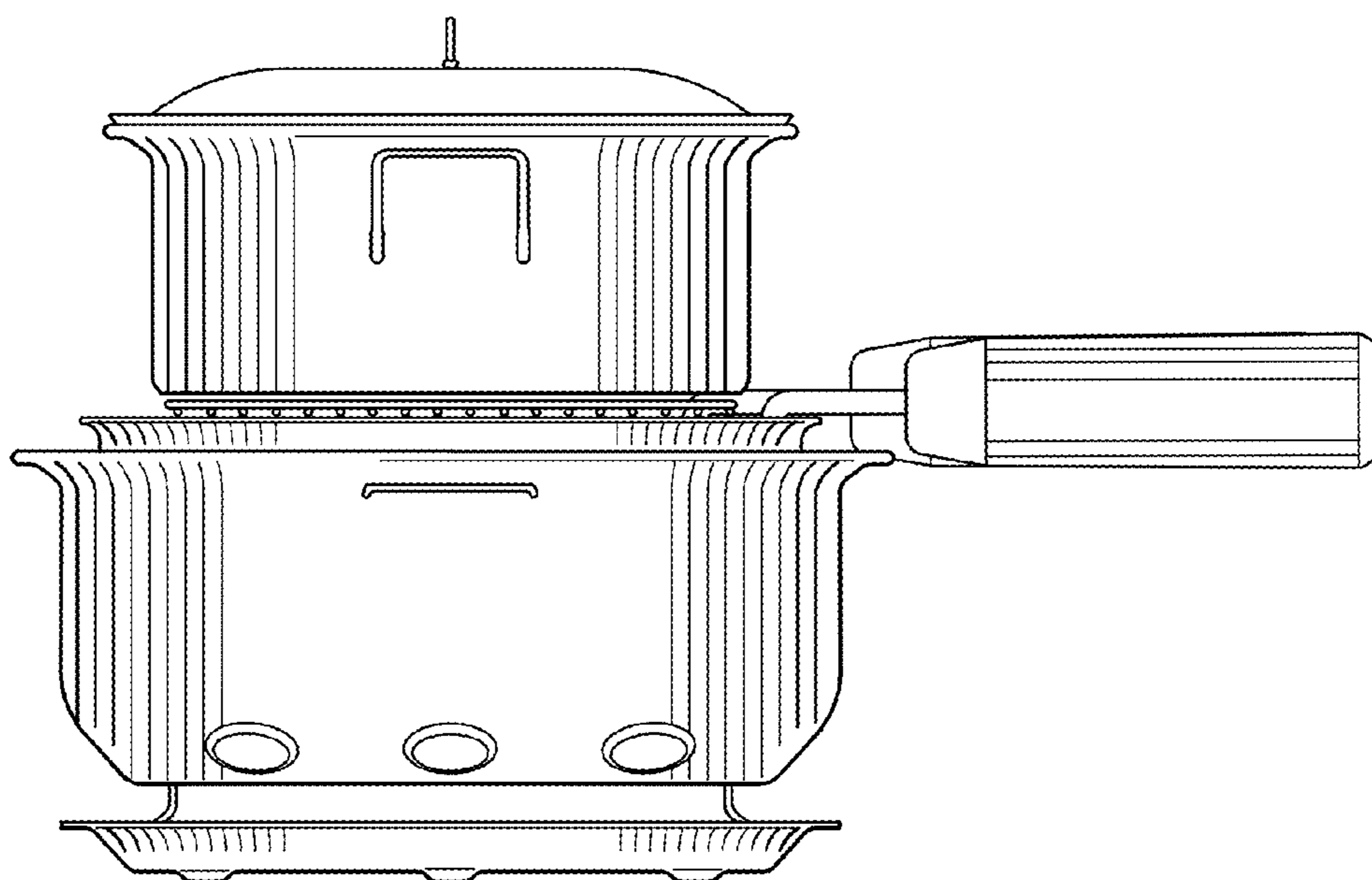


FIG. 5

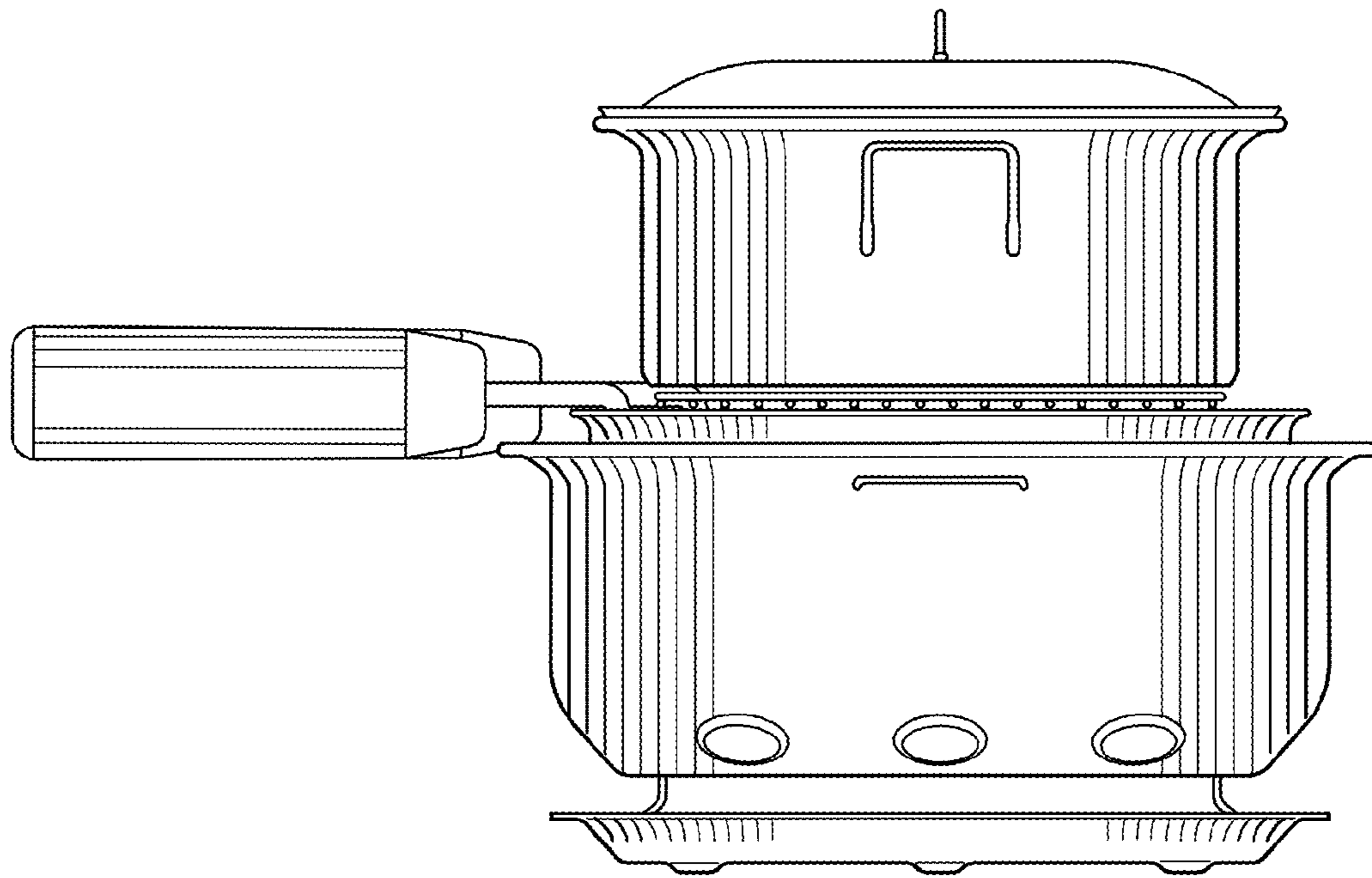


FIG. 6

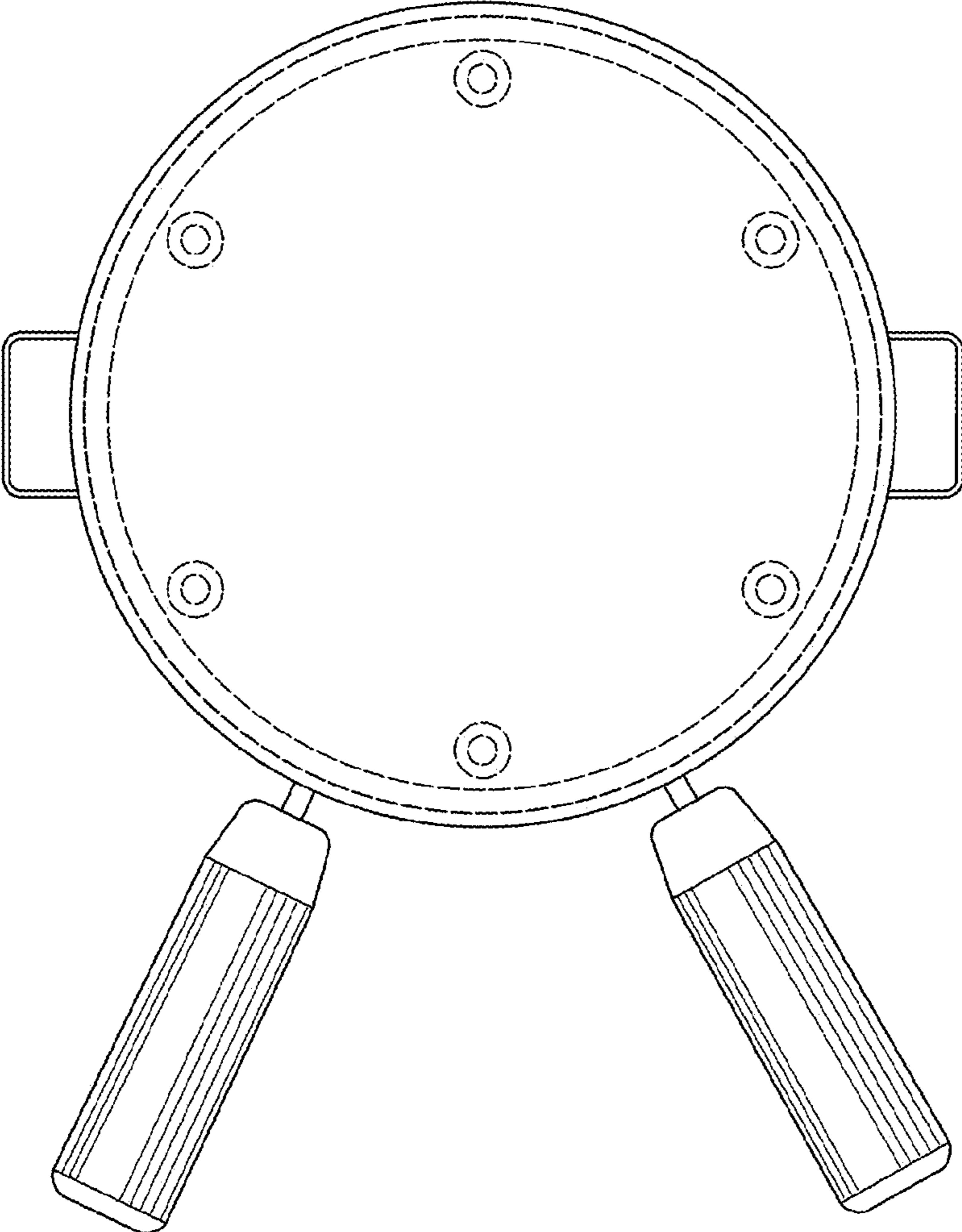


FIG. 7

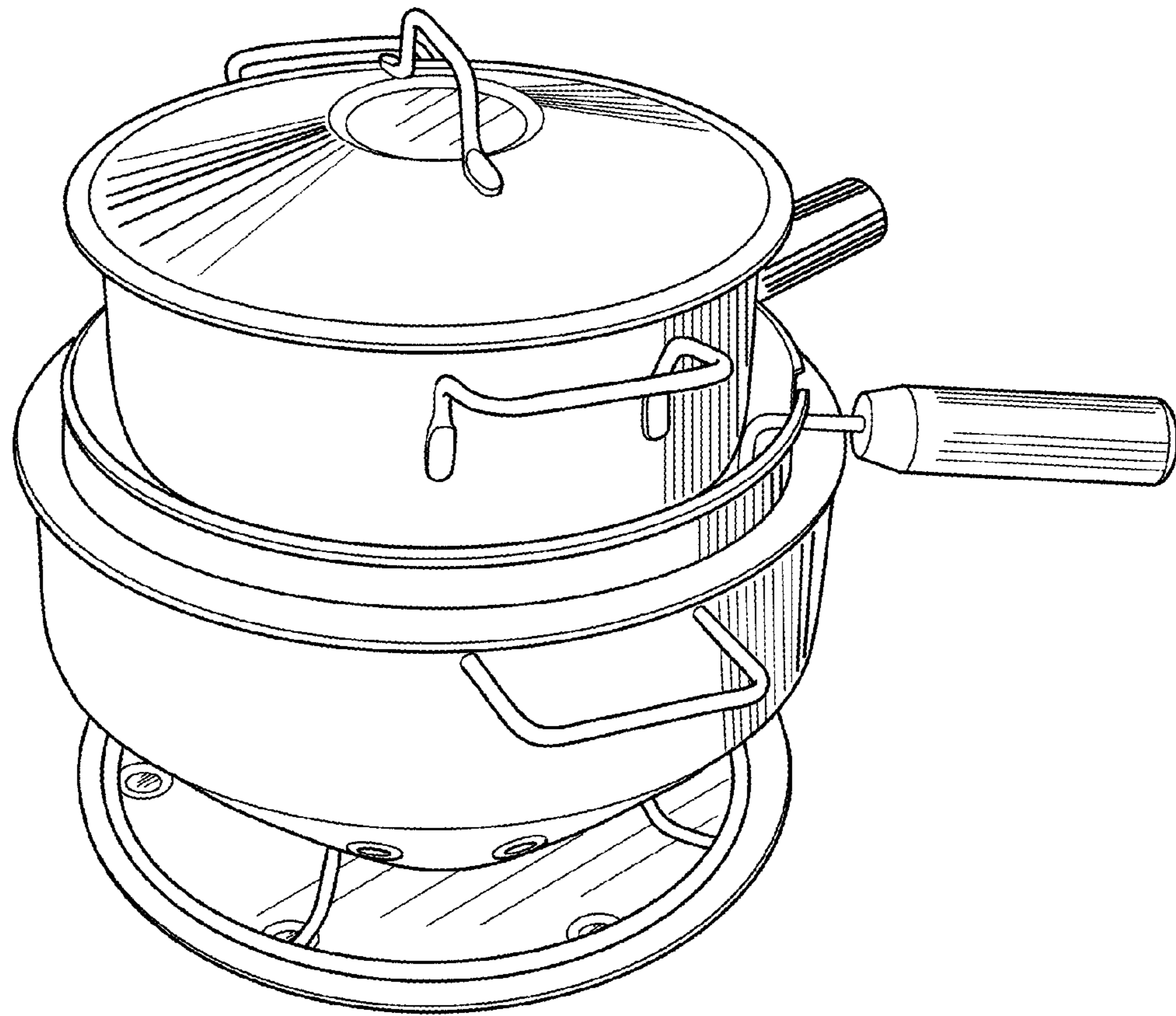


FIG. 8

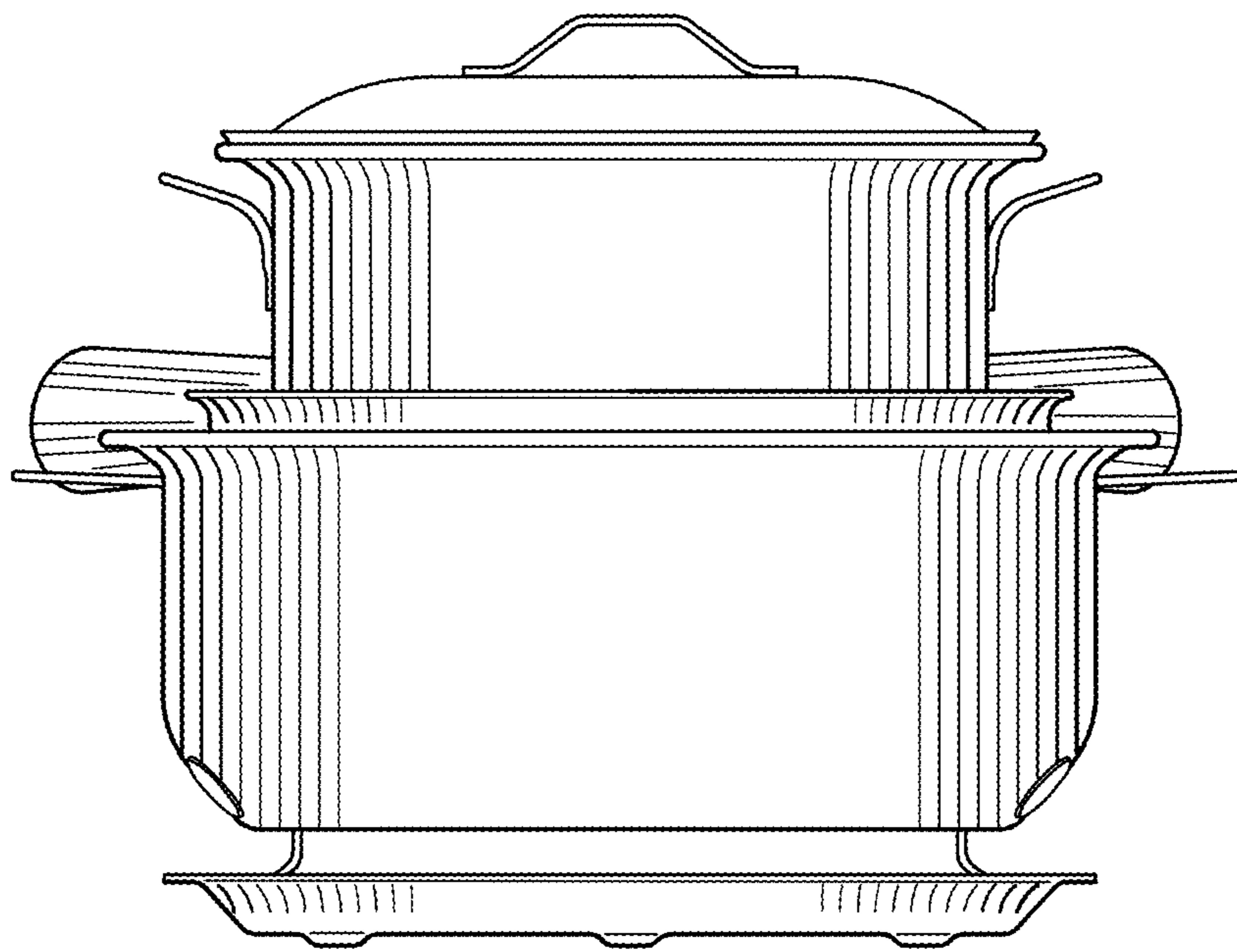


FIG. 9

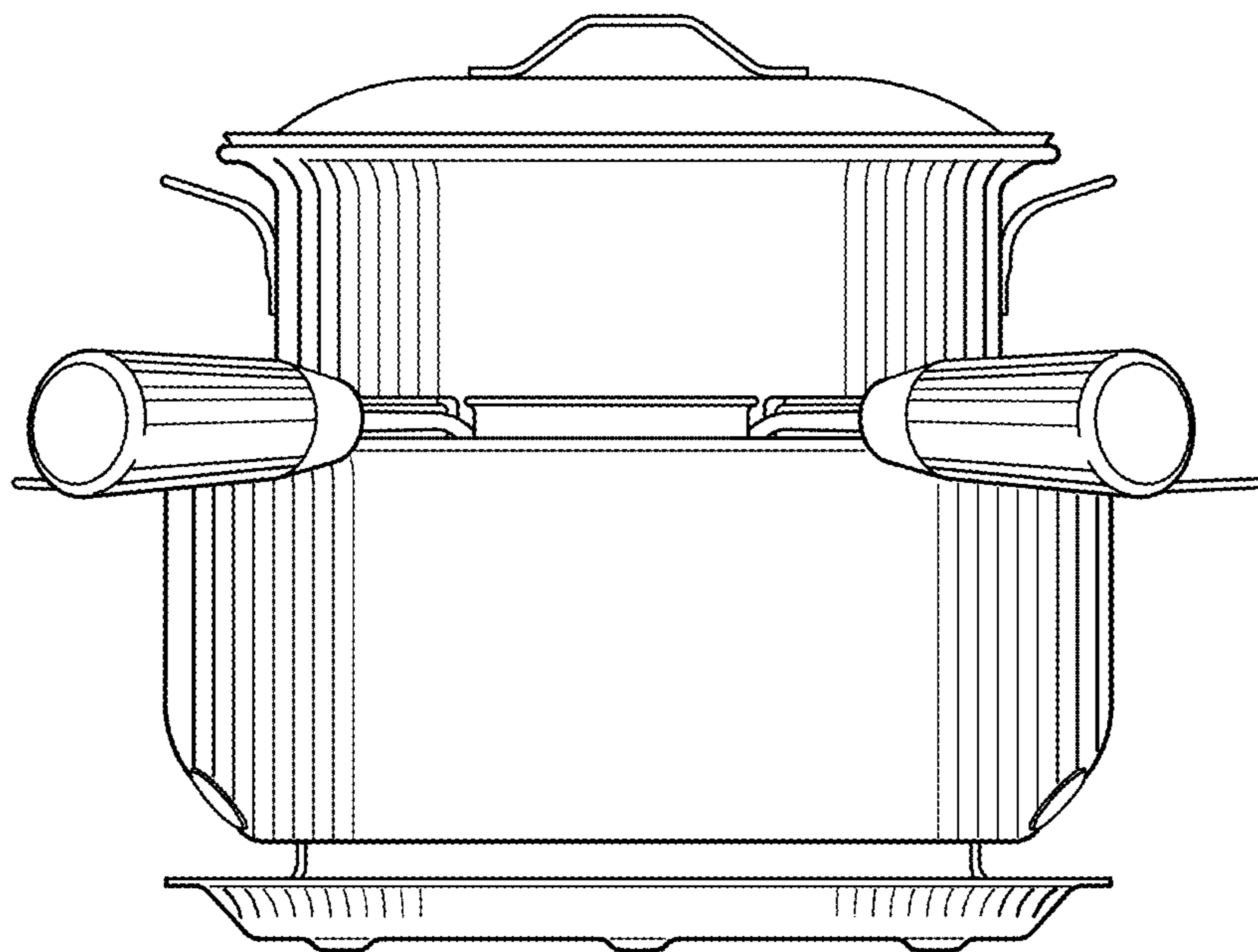


FIG. 10

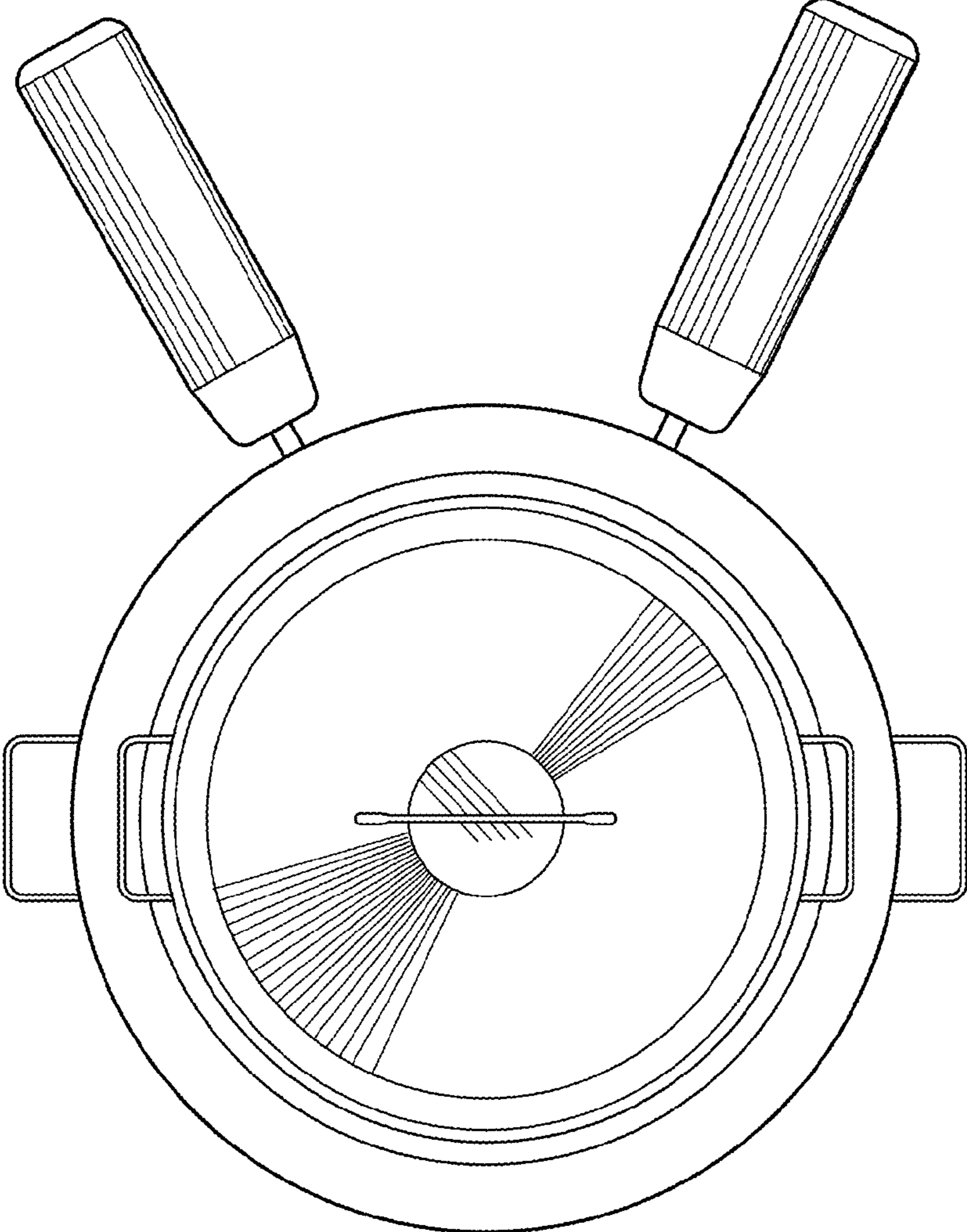


FIG. 11

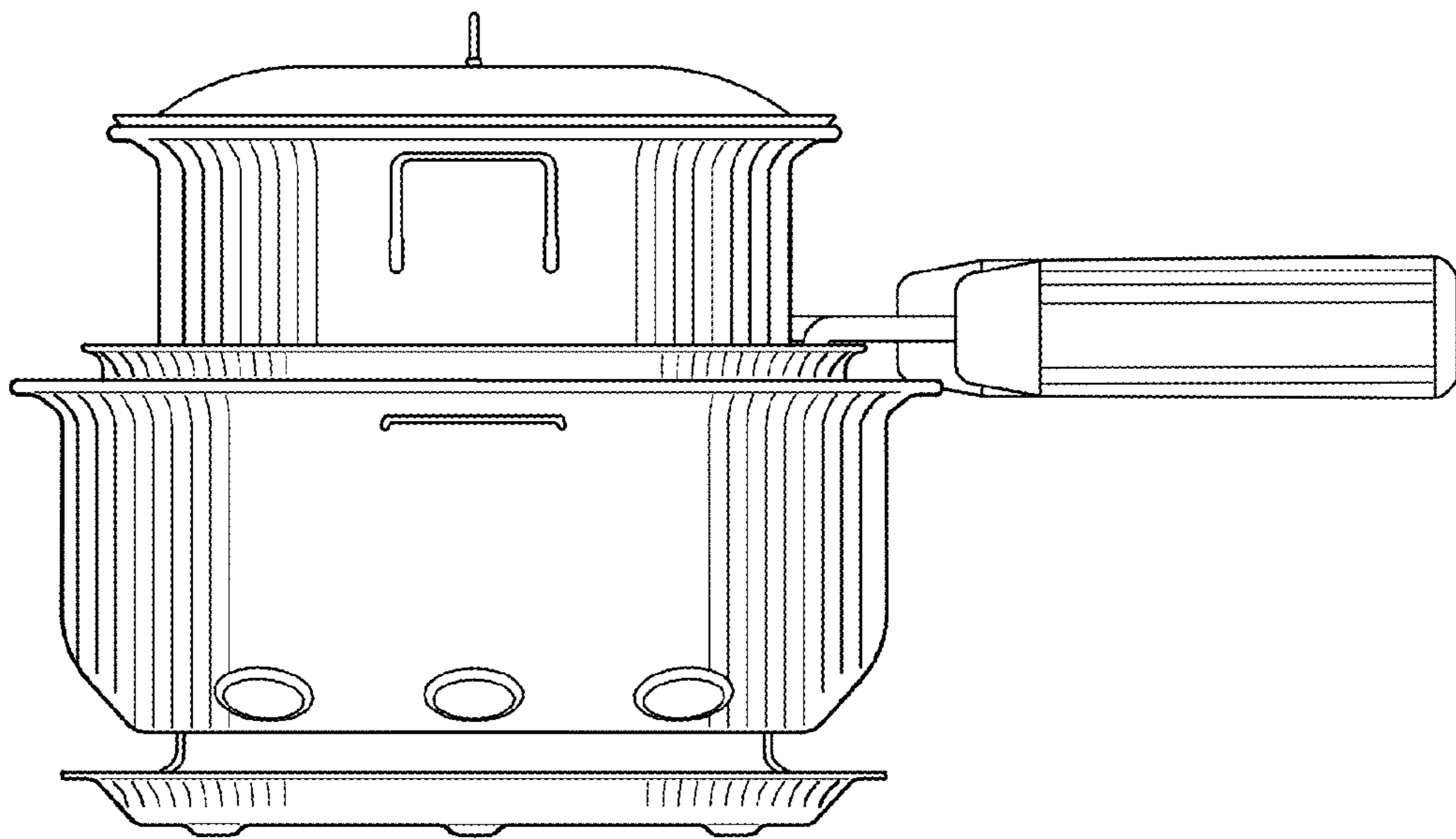


FIG. 12

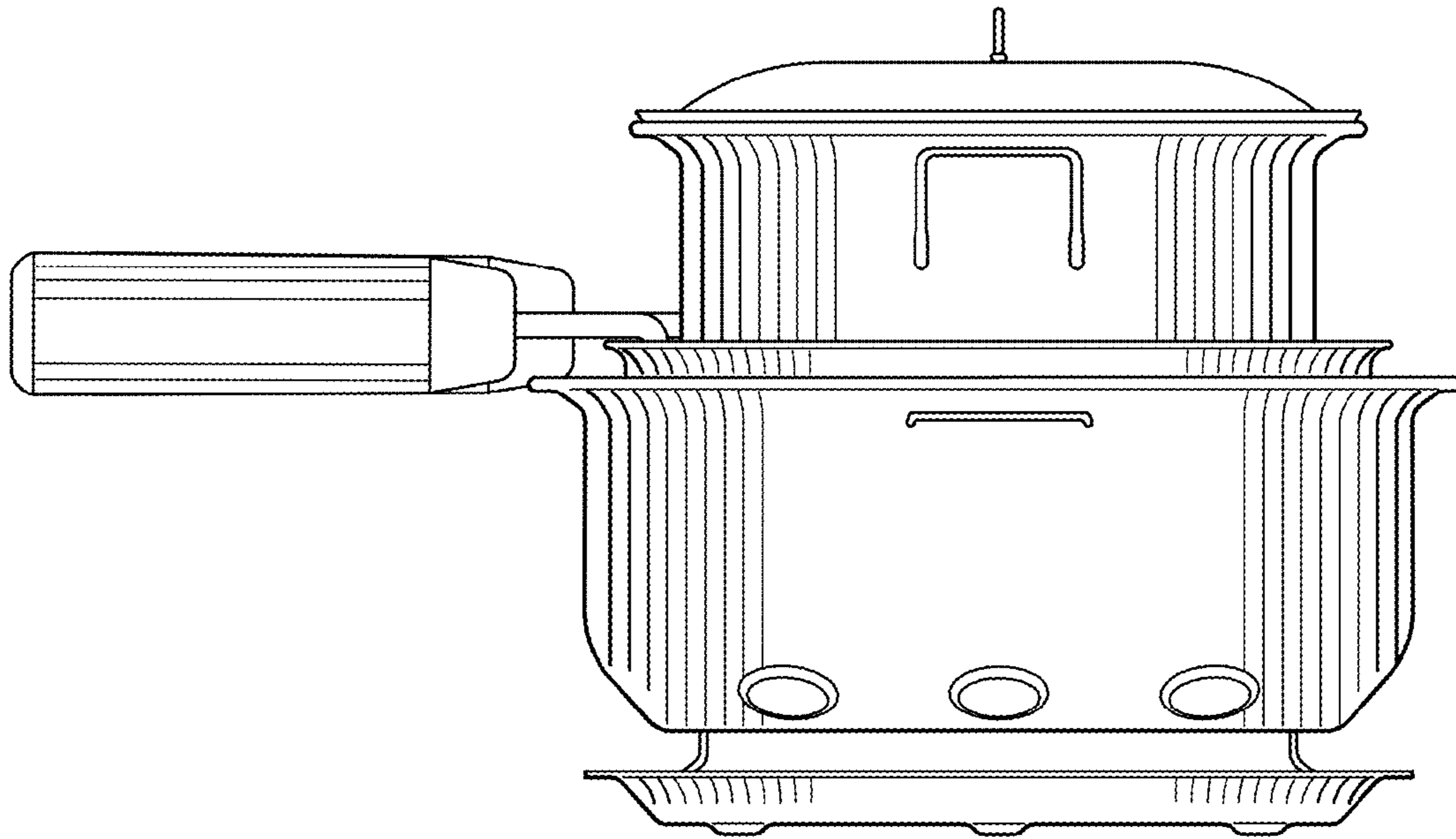


FIG. 13

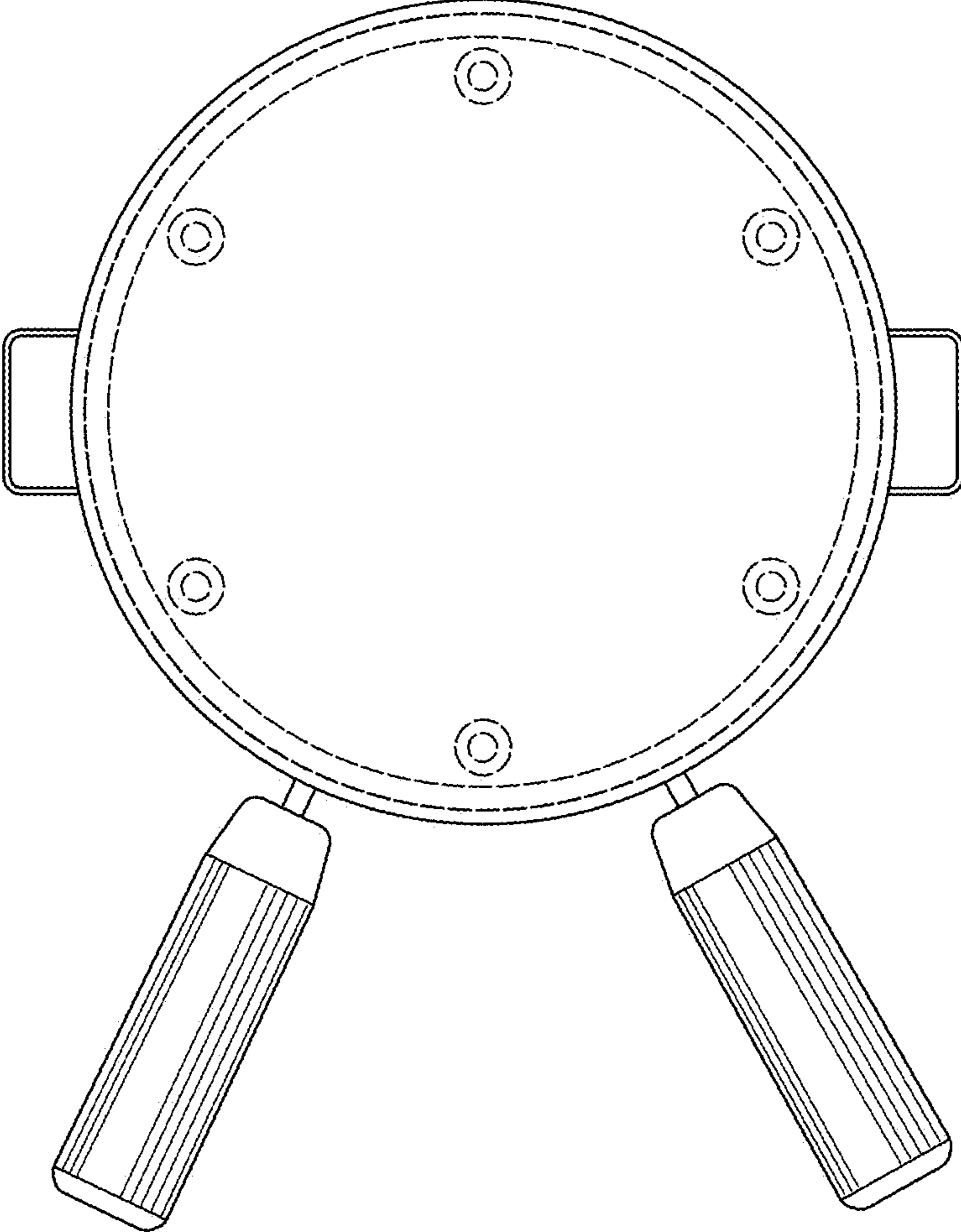


FIG. 14