



US00D730674S

(12) **United States Design Patent**
De'Longhi et al.

(10) **Patent No.:** **US D730,674 S**
(45) **Date of Patent:** **** Jun. 2, 2015**

(54) **ESPRESSO MACHINE**

(56) **References Cited**

(71) Applicant: **De' Longhi Appliances S.R.L. Con Unico Socio**, Treviso (IT)

U.S. PATENT DOCUMENTS

(72) Inventors: **Giuseppe De'Longhi**, Treviso (IT);
Marco Vaona, Mestre (IT)

D338,590	S	*	8/1993	Dingelstad et al.	D7/309
5,628,239	A	*	5/1997	Wu	99/290
D585,692	S	*	2/2009	Borin	D7/309
D604,985	S	*	12/2009	Taylor et al.	D7/309
D626,368	S	*	11/2010	De Pra'	D7/309
D644,058	S	*	8/2011	Cahen	D7/309
D649,392	S	*	11/2011	Cahen	D7/307
D666,051	S	*	8/2012	de Pra	D7/309
D666,451	S	*	9/2012	Cheng	D7/309
D690,150	S	*	9/2013	Cahen	D7/309

(73) Assignee: **De'Longhi Appliances S.R.L. Con Unico Socio**, Treviso (IT)

(**) Term: **14 Years**

* cited by examiner

(21) Appl. No.: **29/461,235**

Primary Examiner — Marianne Pandozzi

(22) Filed: **Jul. 19, 2013**

(74) *Attorney, Agent, or Firm* — Maier & Maier, PLLC

(30) **Foreign Application Priority Data**

(57) **CLAIM**

Jan. 21, 2013 (EM) 2169755-0002

The ornamental design for an espresso machine, as shown and described.

Jan. 21, 2013 (EM) 2169755-0008

DESCRIPTION

(51) **LOC (10) Cl.** **07-01**

FIG. 1 is an isometric view of an embodiment of an espresso machine, showing our design;
FIG. 2 is a front view thereof;
FIG. 3 is a rear view thereof;
FIG. 4 is a right side view thereof;
FIG. 5 is a left side view thereof;
FIG. 6 is a top view thereof; and,
FIG. 7 is a bottom view thereof.

(52) **U.S. Cl.**

USPC **D7/309**; D7/311

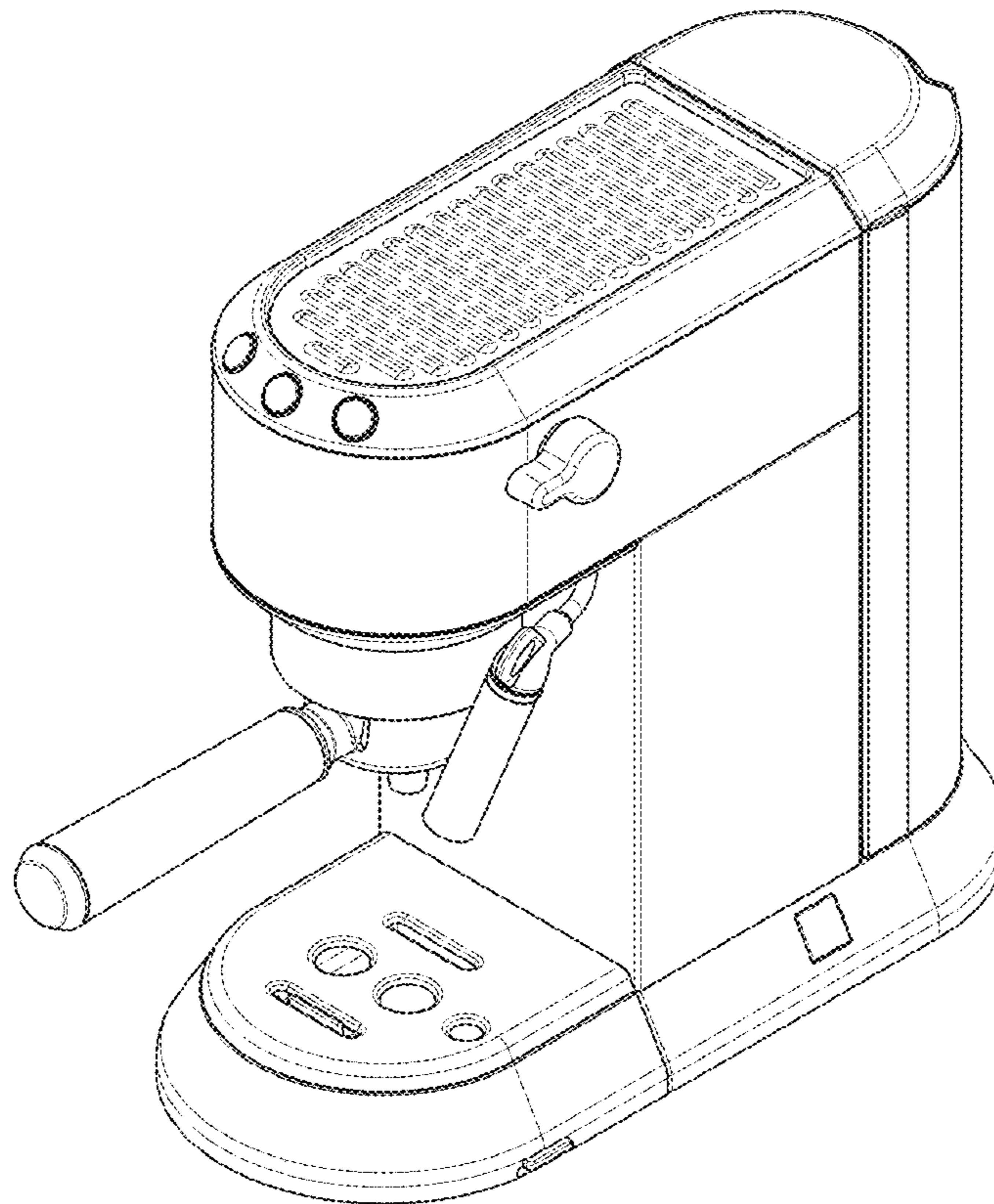
(58) **Field of Classification Search**

USPC D7/309-311, 306-308, 300, 397, 305;
99/293, 323.1, 279, 289 R, 291;
D6/544; 222/105, 185.1

CPC B67D 3/00

See application file for complete search history.

1 Claim, 5 Drawing Sheets



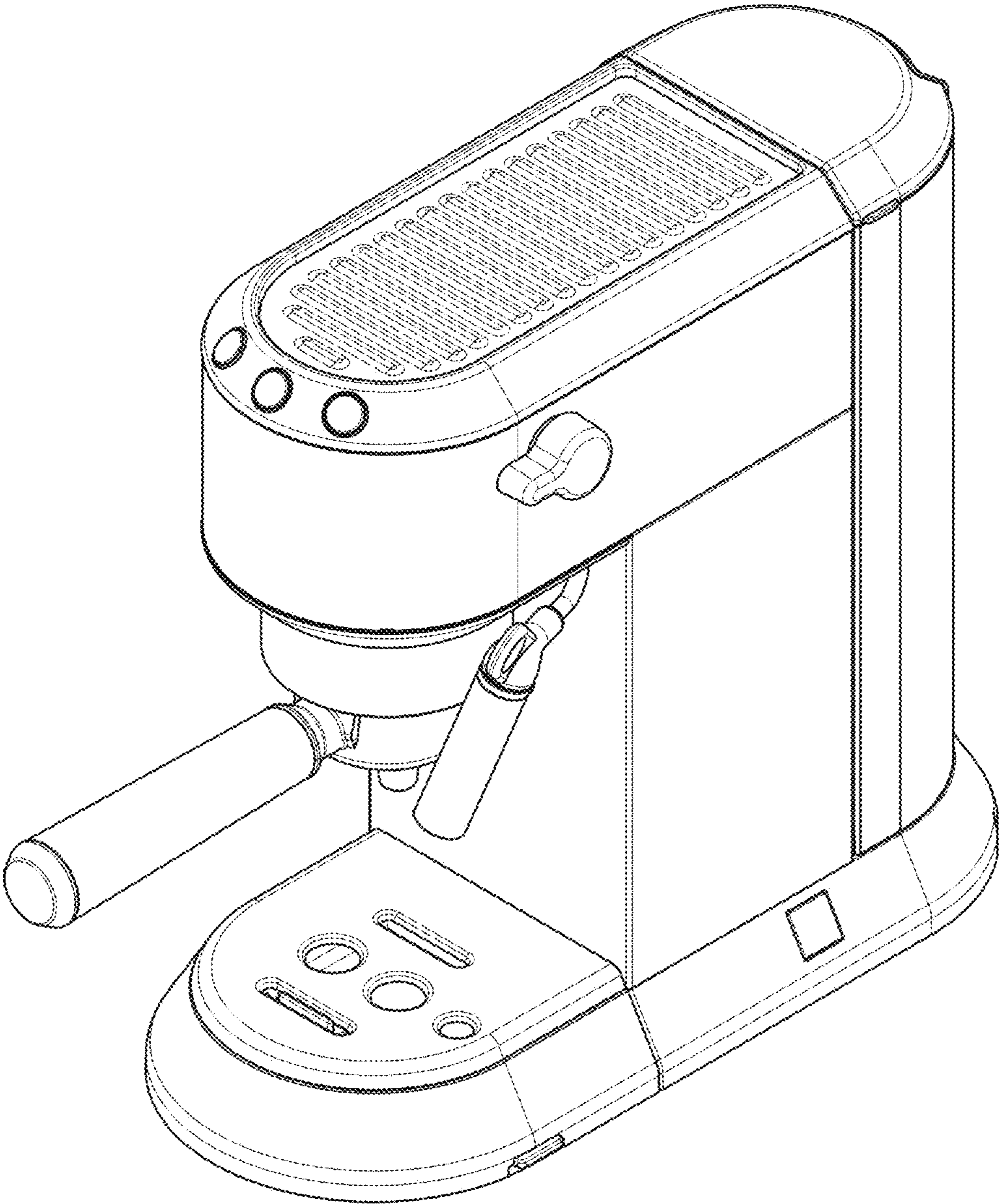


Fig. 1

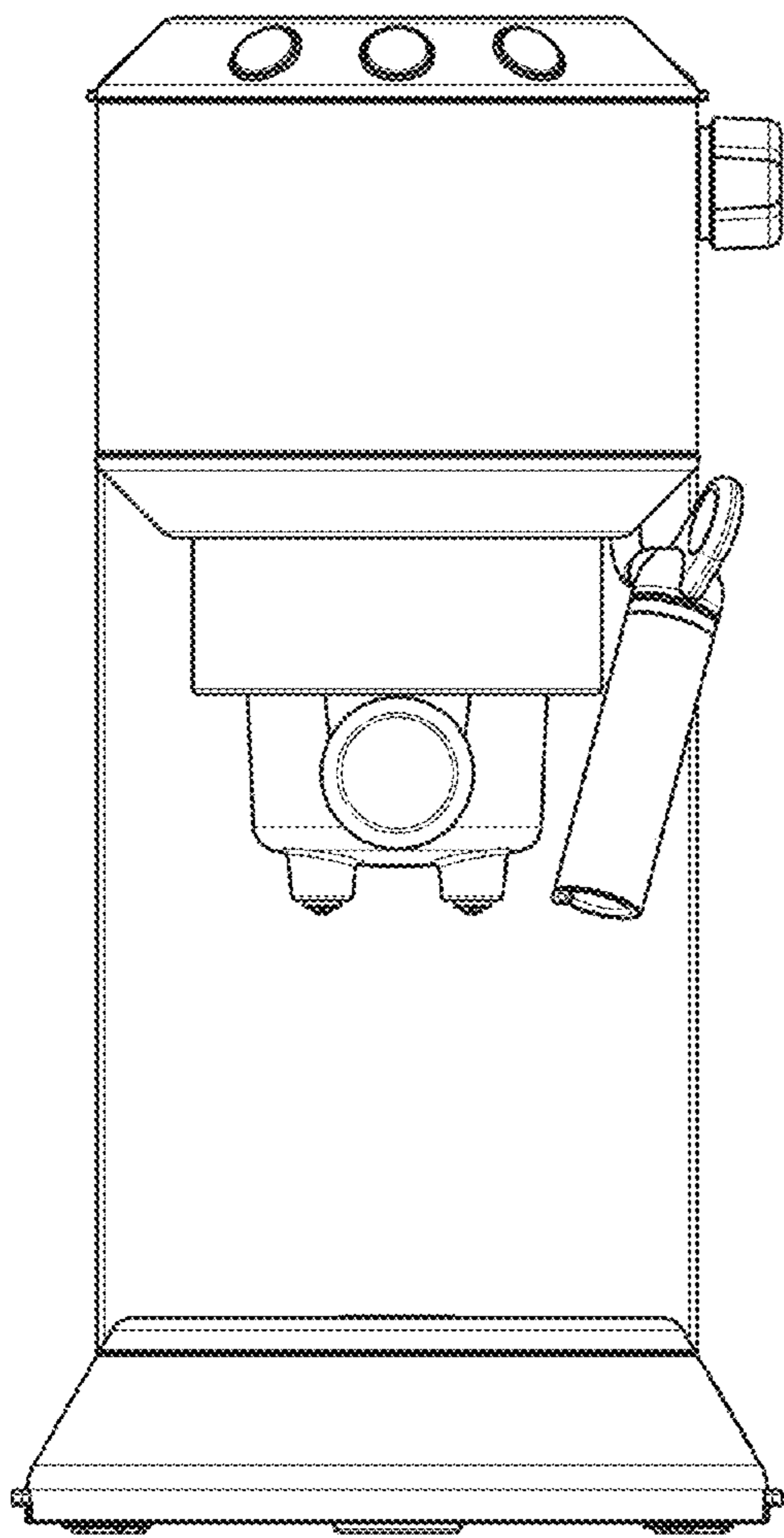


Fig. 2

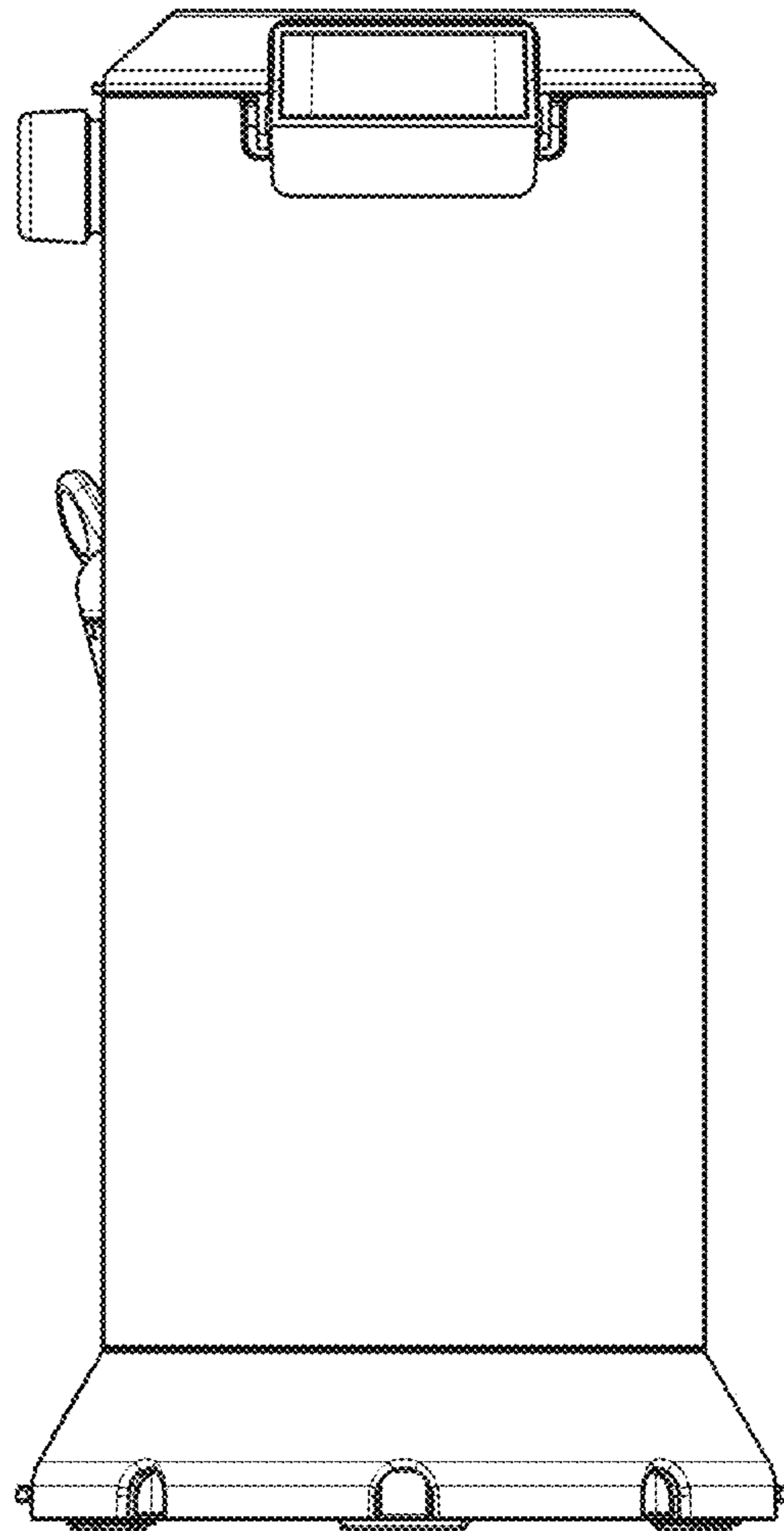


Fig. 3

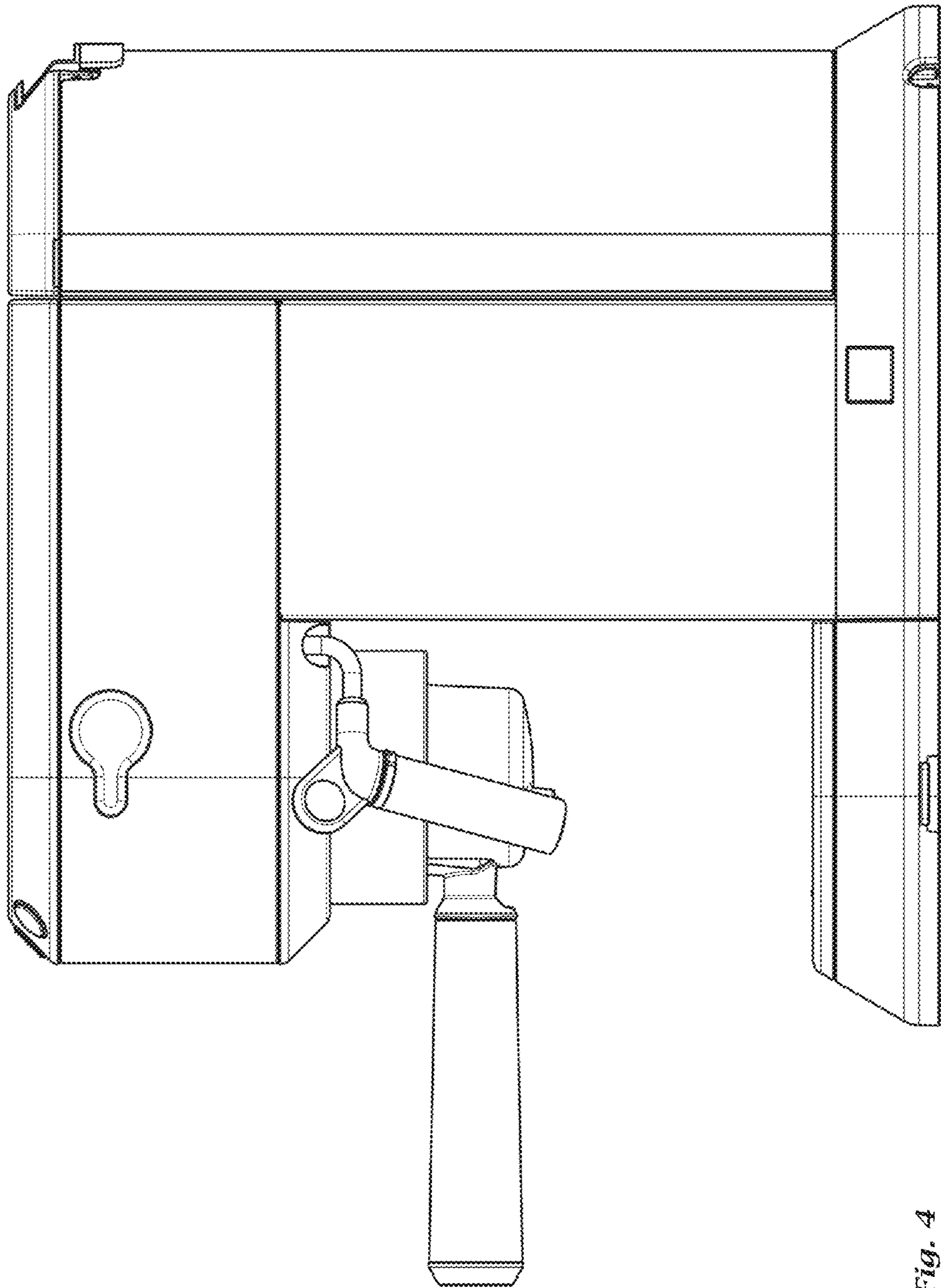


Fig. 4

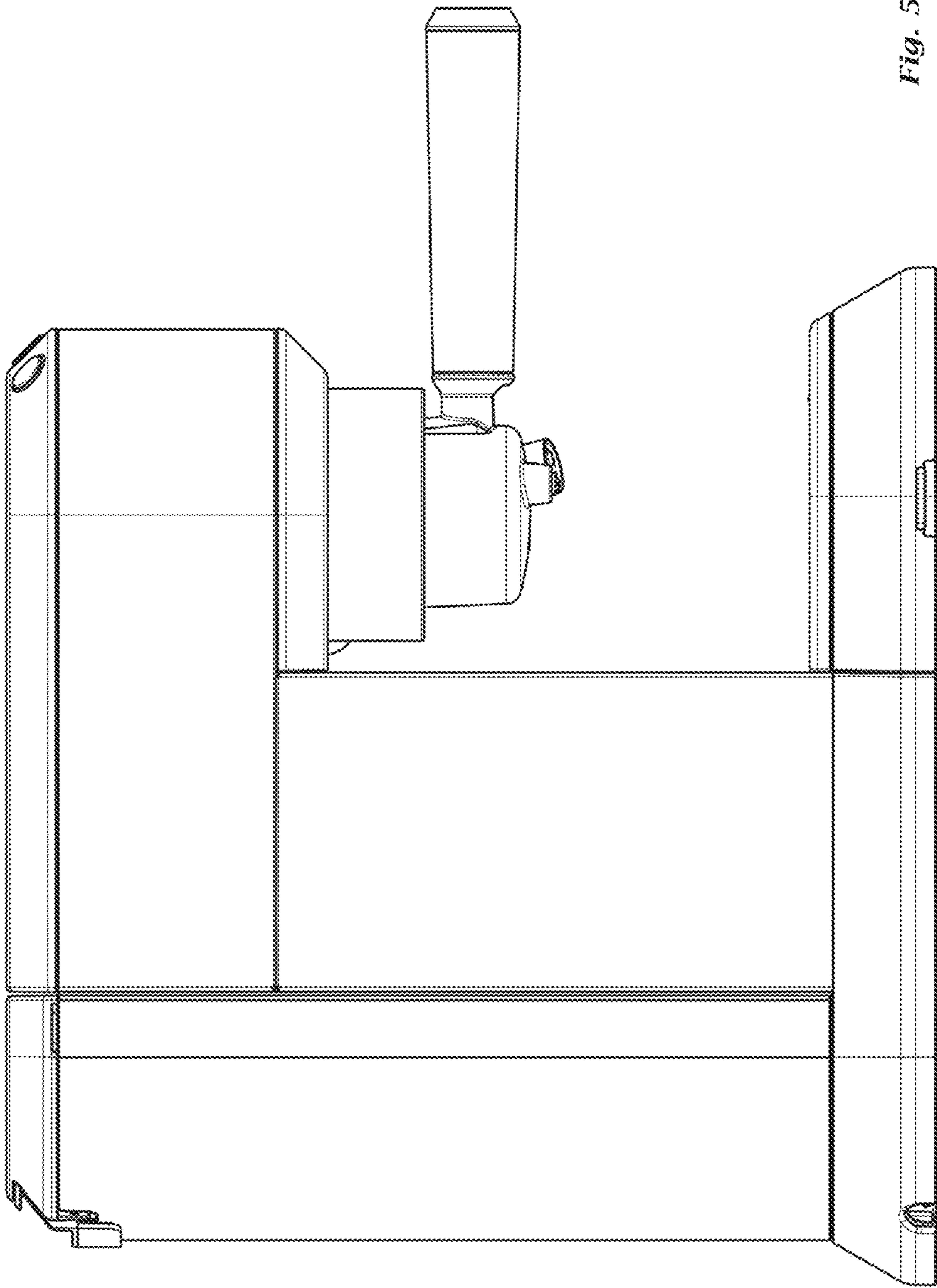


Fig. 5

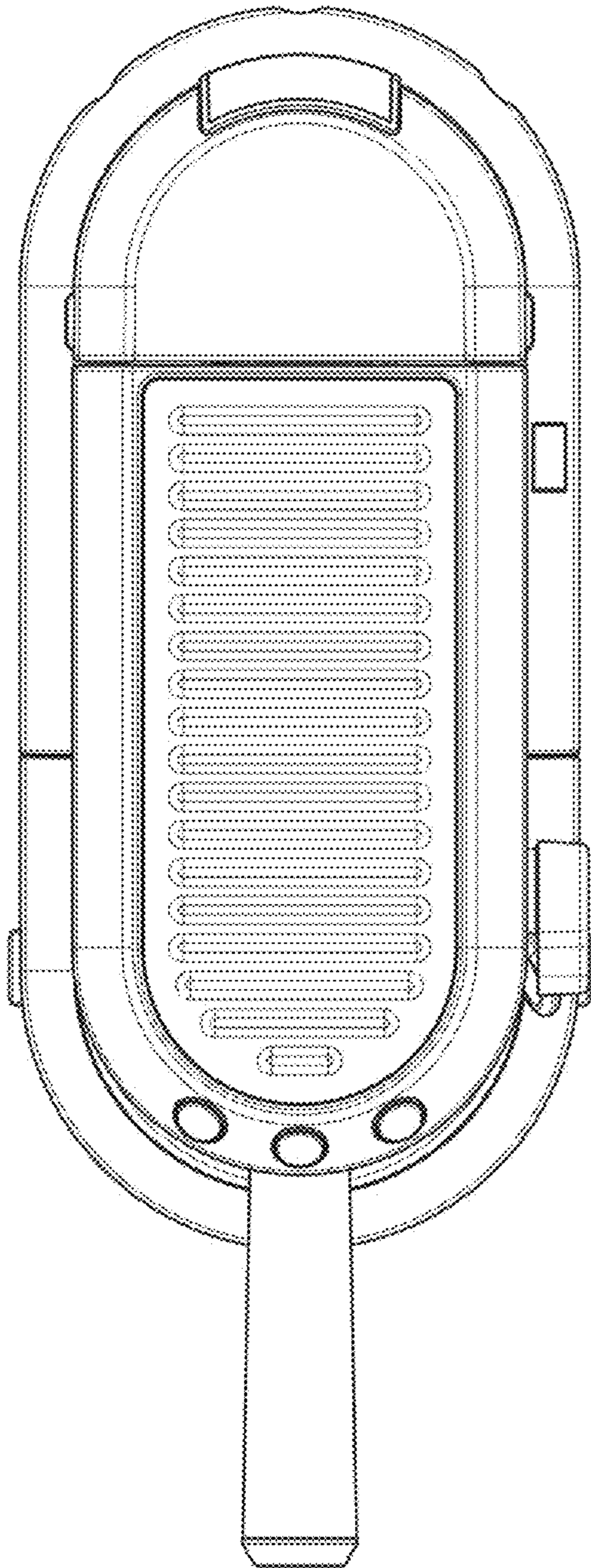


Fig. 6

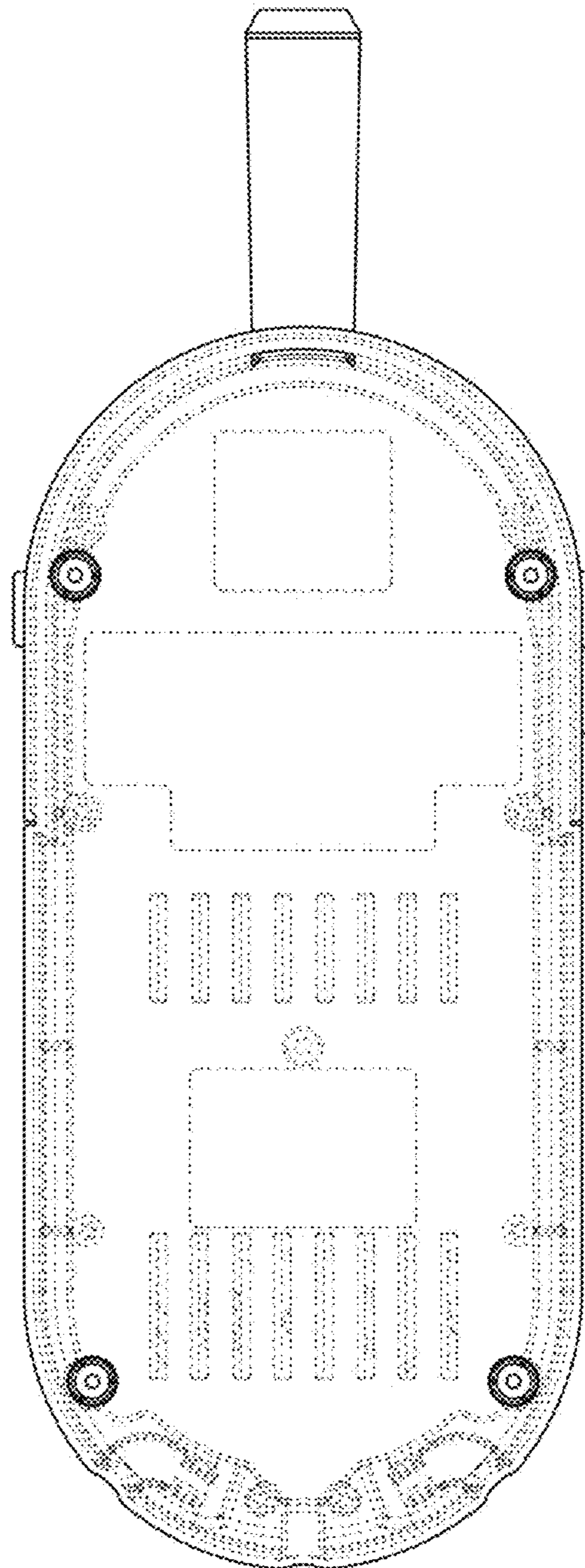


Fig. 7