



US00D730673S

(12) **United States Design Patent**
Harris et al.

(10) **Patent No.:** **US D730,673 S**
(45) **Date of Patent:** **** Jun. 2, 2015**

(54) **FERMENTER**
(71) Applicants: **Scott Harris**, Regency Park (AU); **Brian Johns**, Regency Park (AU)
(72) Inventors: **Scott Harris**, Regency Park (AU); **Brian Johns**, Regency Park (AU)
(73) Assignee: **COOPERS BREWERY LIMITED**, Regency Park, SA (AU)
(**) Term: **14 Years**
(21) Appl. No.: **29/482,017**
(22) Filed: **Feb. 12, 2014**

D436,282 S * 1/2001 Kauzlarich et al. D7/306
D440,109 S * 4/2001 Anton et al. D7/307
D493,331 S * 7/2004 Munoz D7/398
D526,827 S * 8/2006 Allen et al. D7/306
D529,749 S * 10/2006 Allen et al. D7/306
D555,967 S * 11/2007 Rasmussen D7/306
D581,197 S * 11/2008 Kassenaar D7/306
D591,098 S * 4/2009 Bruce D7/301
D593,354 S * 6/2009 Romandy D7/306
D623,887 S * 9/2010 Kusch et al. D7/313
D632,919 S * 2/2011 Sang-Ho D7/306
D645,288 S * 9/2011 Kusch et al. D7/306
D668,499 S * 10/2012 Malinski D7/313
D716,094 S * 10/2014 Wang D7/306
8,870,036 B2 * 10/2014 Kulkarni et al. 222/394
D720,173 S * 12/2014 Polakoff D7/306
2005/0269361 A1 * 12/2005 Prabucki 222/146.6

* cited by examiner

(30) **Foreign Application Priority Data**
Aug. 12, 2013 (AU) 13899/2013
(51) **LOC (10) Cl.** **07-01**
(52) **U.S. Cl.**
USPC **D7/306; D7/313**
(58) **Field of Classification Search**
USPC D7/306, 313, 397, 307, 300, 512;
222/183, 146.6, 105, 81; 220/374, 649,
220/592.19; 62/3.64; D34/39; 137/317,
137/318, 324; 16/2.3; 161/294
CPC C12G 3/02; C12G 3/08; C12M 21/00
See application file for complete search history.

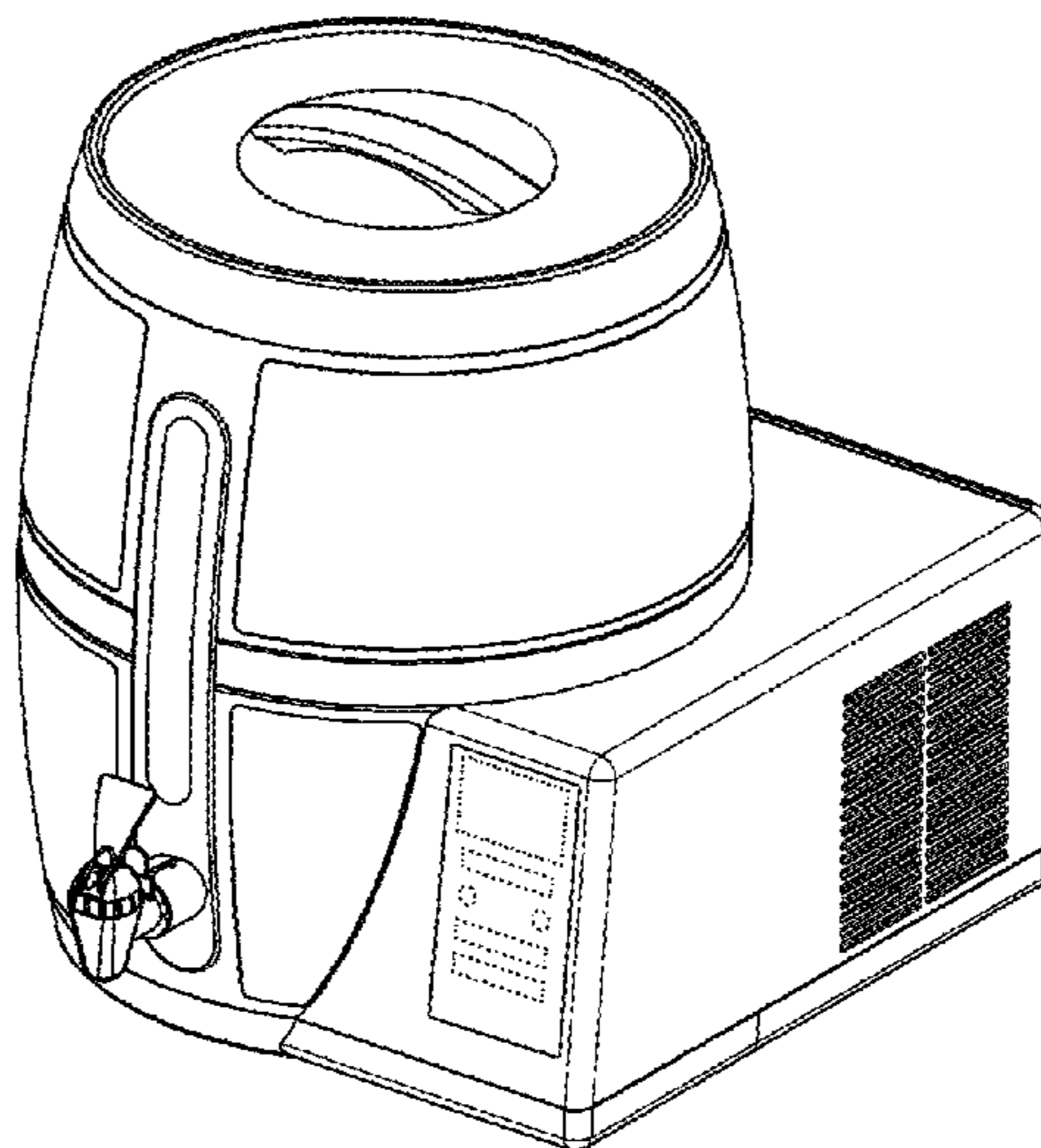
Primary Examiner — Marianne Pandozzi
Assistant Examiner — Jae Liang
(74) *Attorney, Agent, or Firm* — Klauber & Jackson LLC

(56) **References Cited**
U.S. PATENT DOCUMENTS
2,675,145 A * 4/1954 Jacobs 222/146.6
D201,425 S * 6/1965 Topel D23/207
3,865,276 A * 2/1975 Thompson 222/146.6
D248,658 S * 7/1978 Buffington D7/301
4,993,229 A * 2/1991 Baus et al. 62/3.64
D344,204 S * 2/1994 Dixon D7/301
D369,057 S * 4/1996 Bradford D7/313
D380,534 S * 7/1997 Chiu et al. D23/356

(57) **CLAIM**
The ornamental design for a fermenter, as shown and described.

DESCRIPTION
FIG. 1 is a perspective view showing the front, top and left side of the fermenter of our new design;
FIG. 2 is a top view thereof;
FIG. 3 is a right side view thereof;
FIG. 4 is a front view thereof;
FIG. 5 is a perspective view like that of FIG. 1, showing the front, top and right side thereof;
FIG. 6 is a left side view thereof;
FIG. 7 is a rear view thereof; and,
FIG. 8 is a bottom view of the claimed design.
The elements shown in dotted lines in FIGS. 1, 4 and 5 form no part of the claimed design.

1 Claim, 2 Drawing Sheets



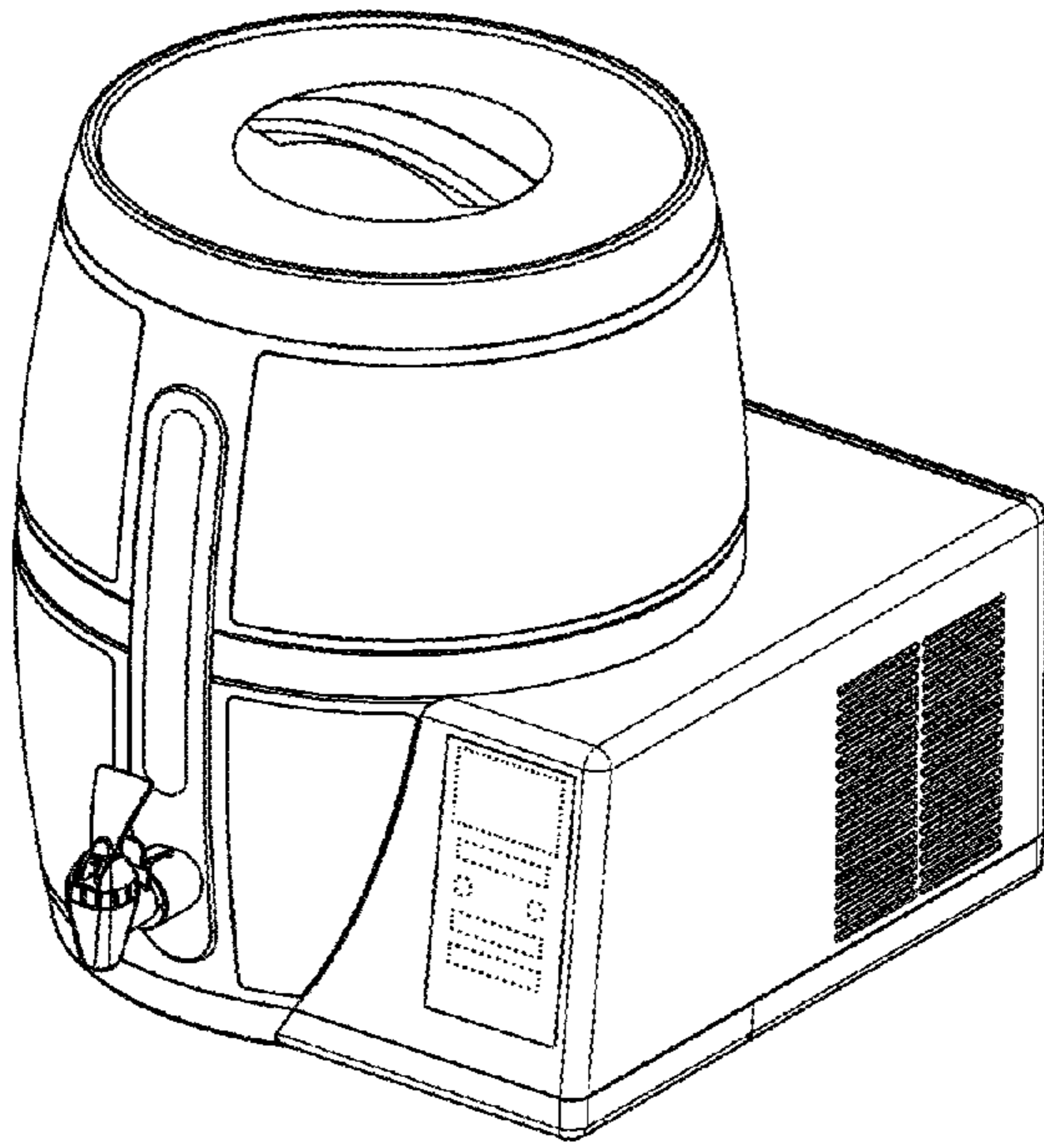


FIG. 1

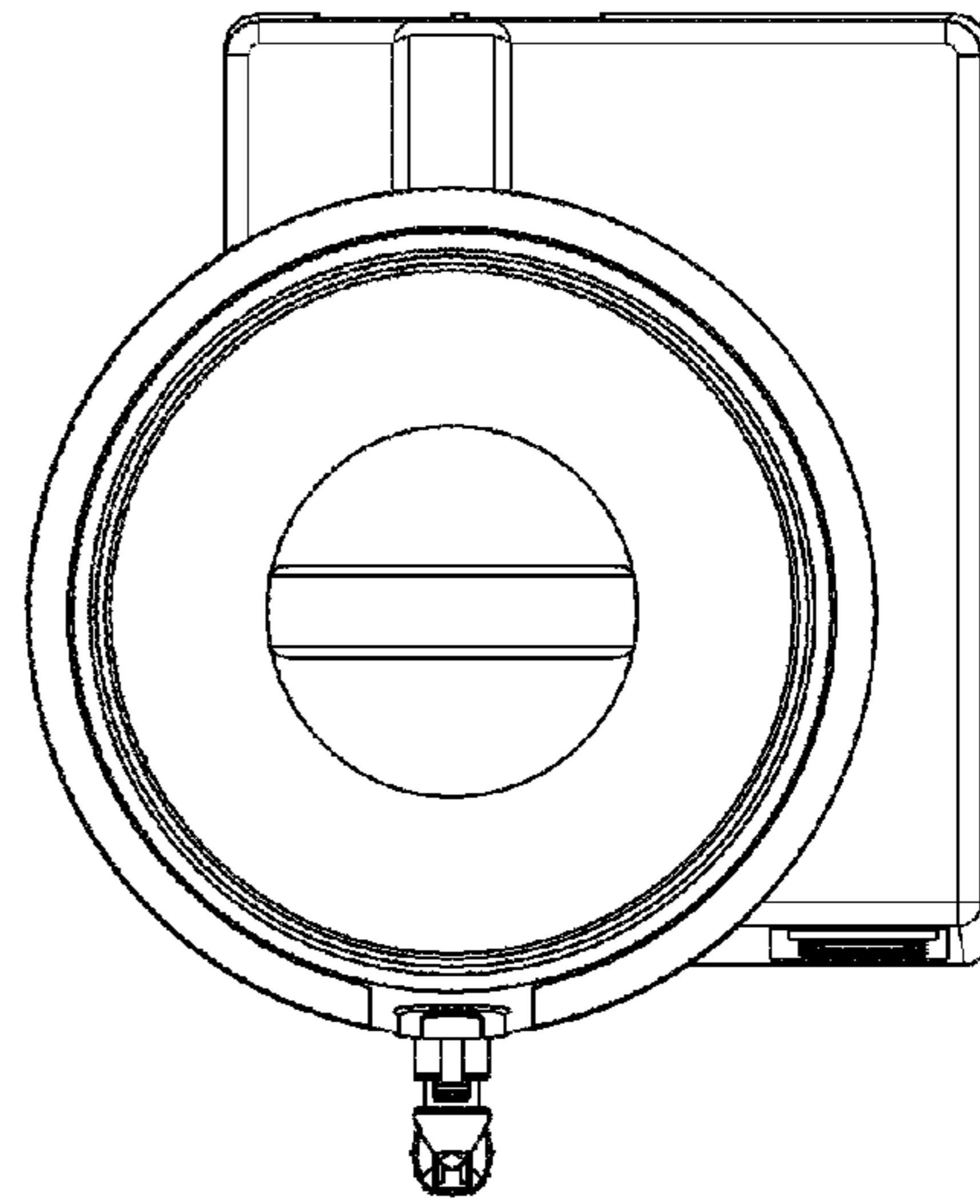


FIG. 2

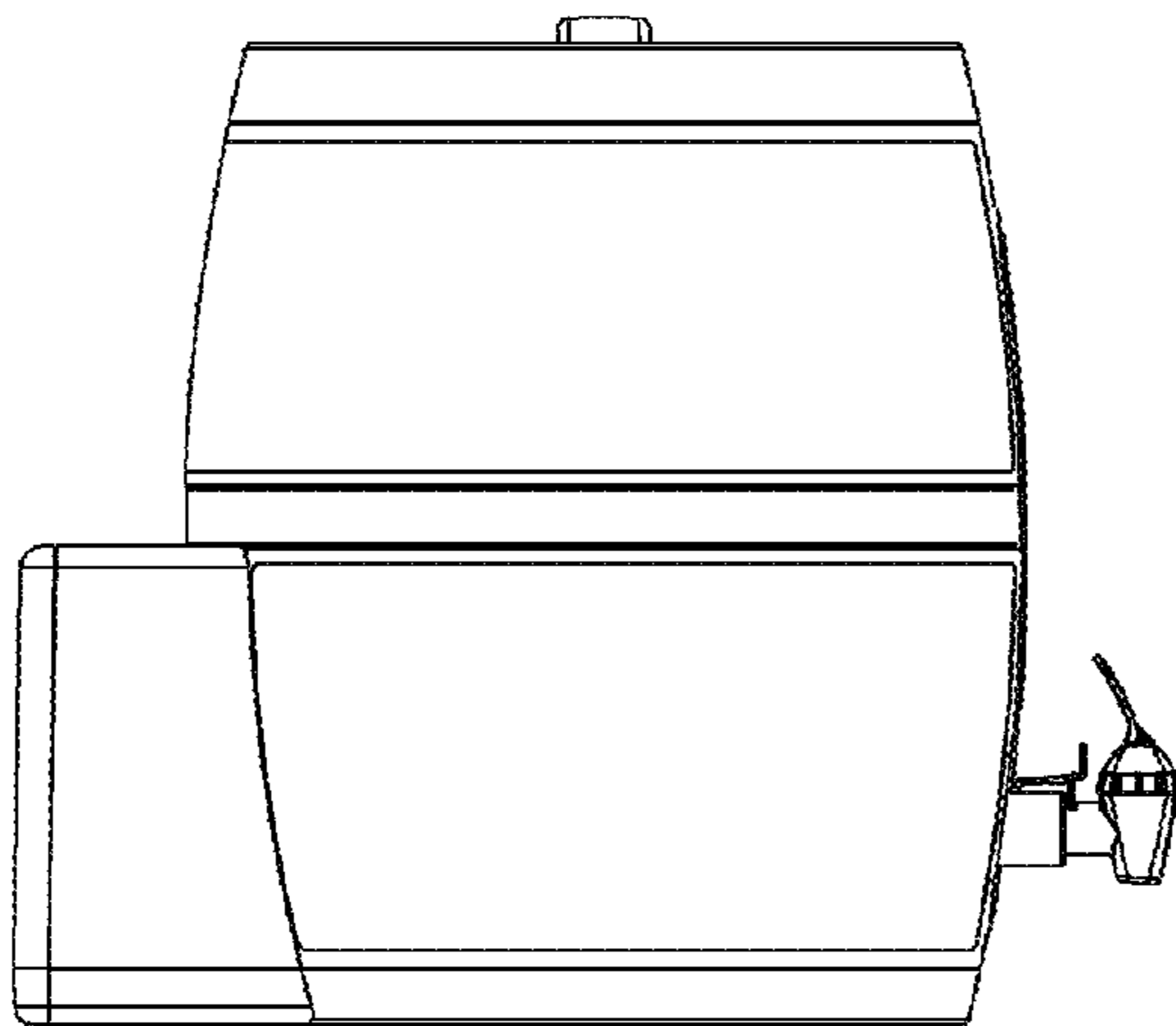


FIG. 3

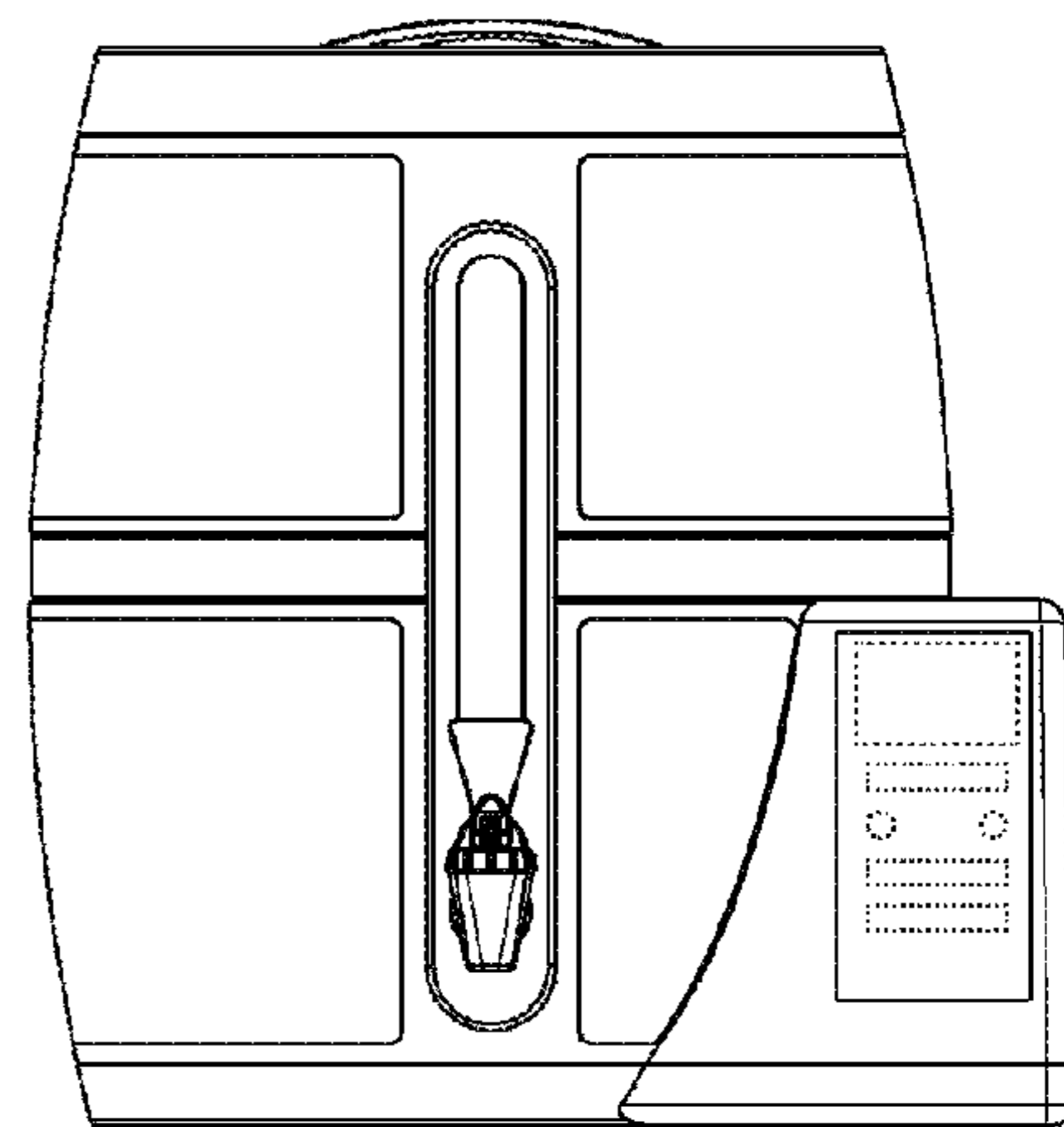


FIG. 4

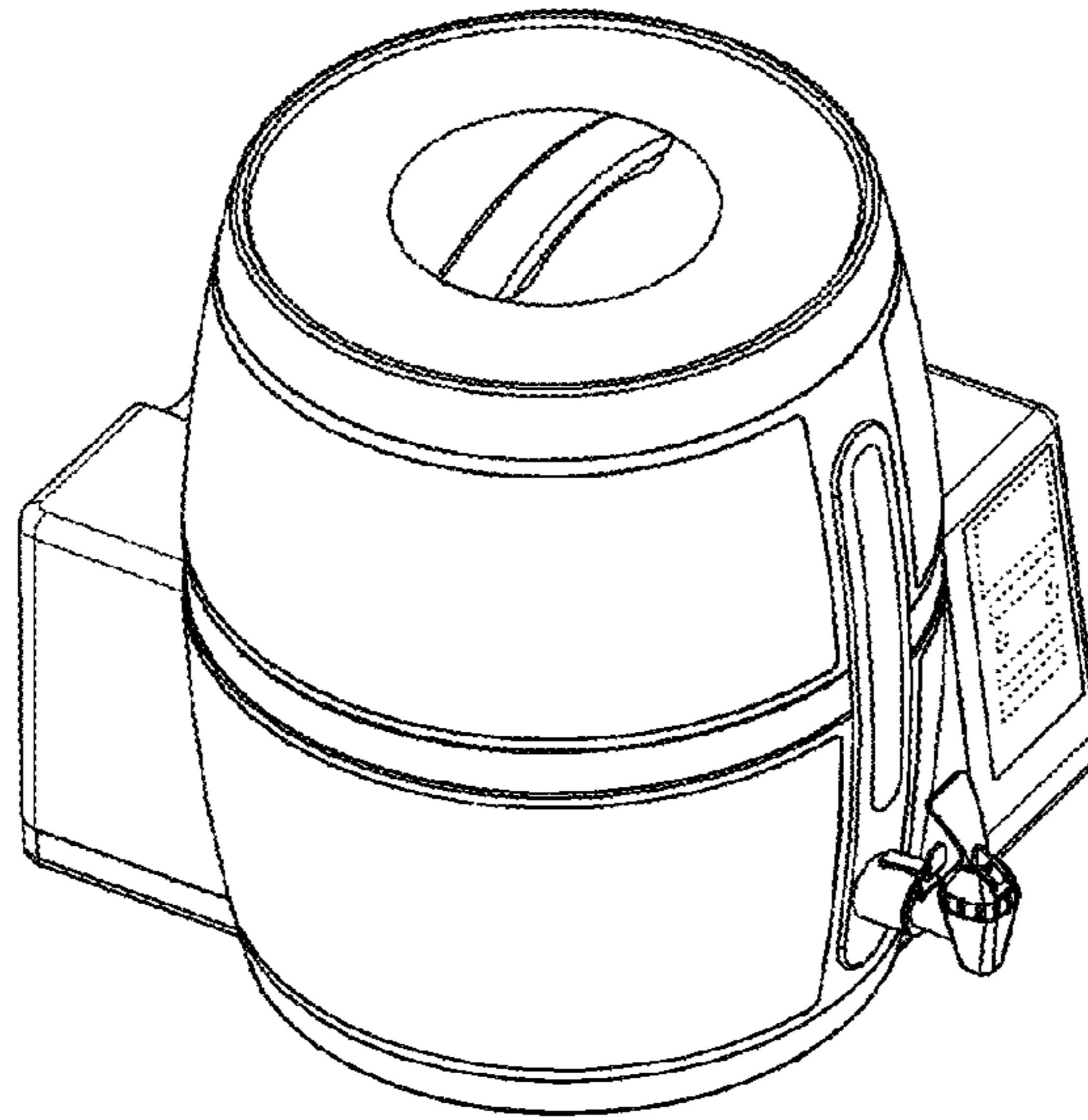


FIG. 5

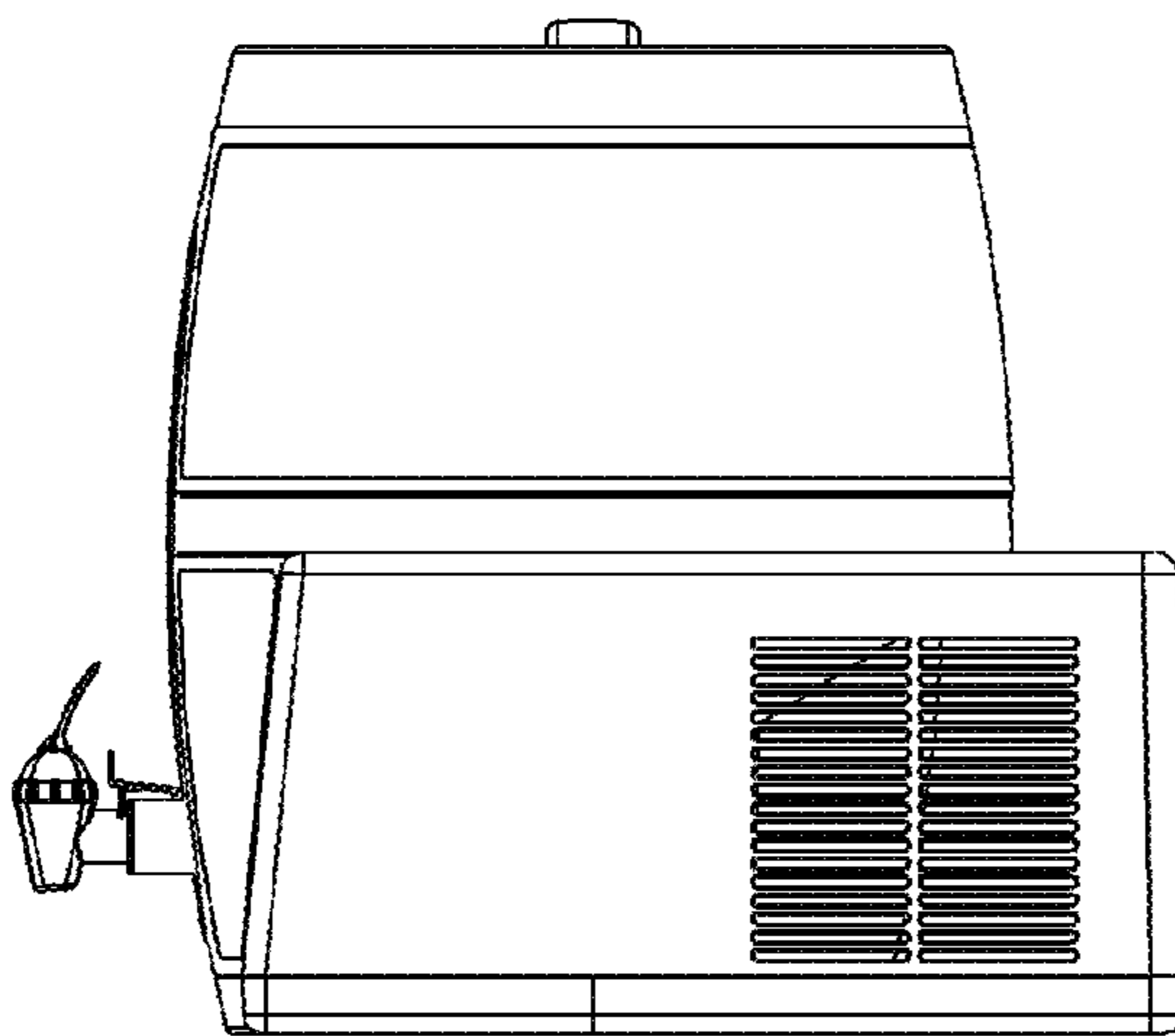


FIG. 6

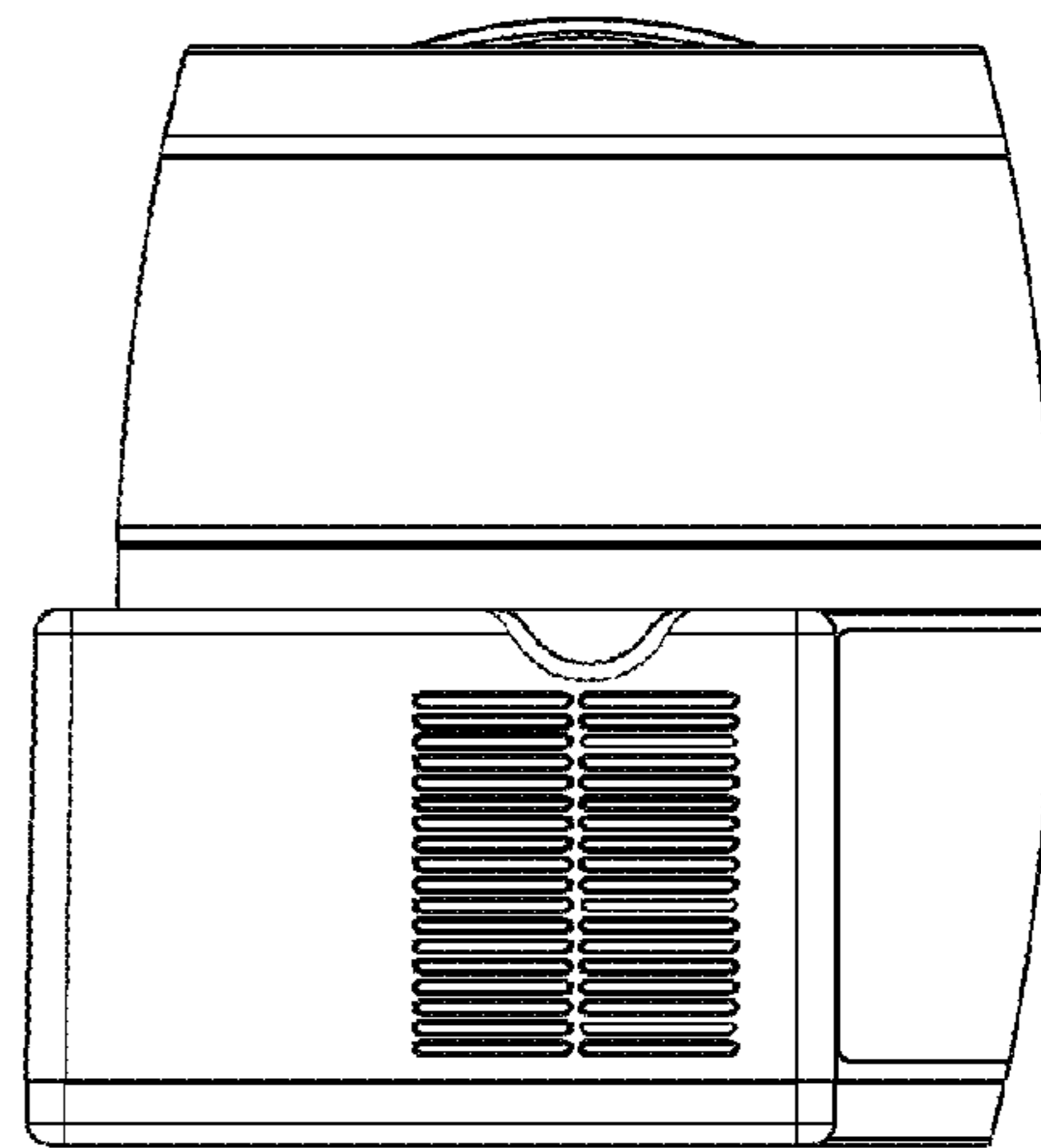


FIG. 7

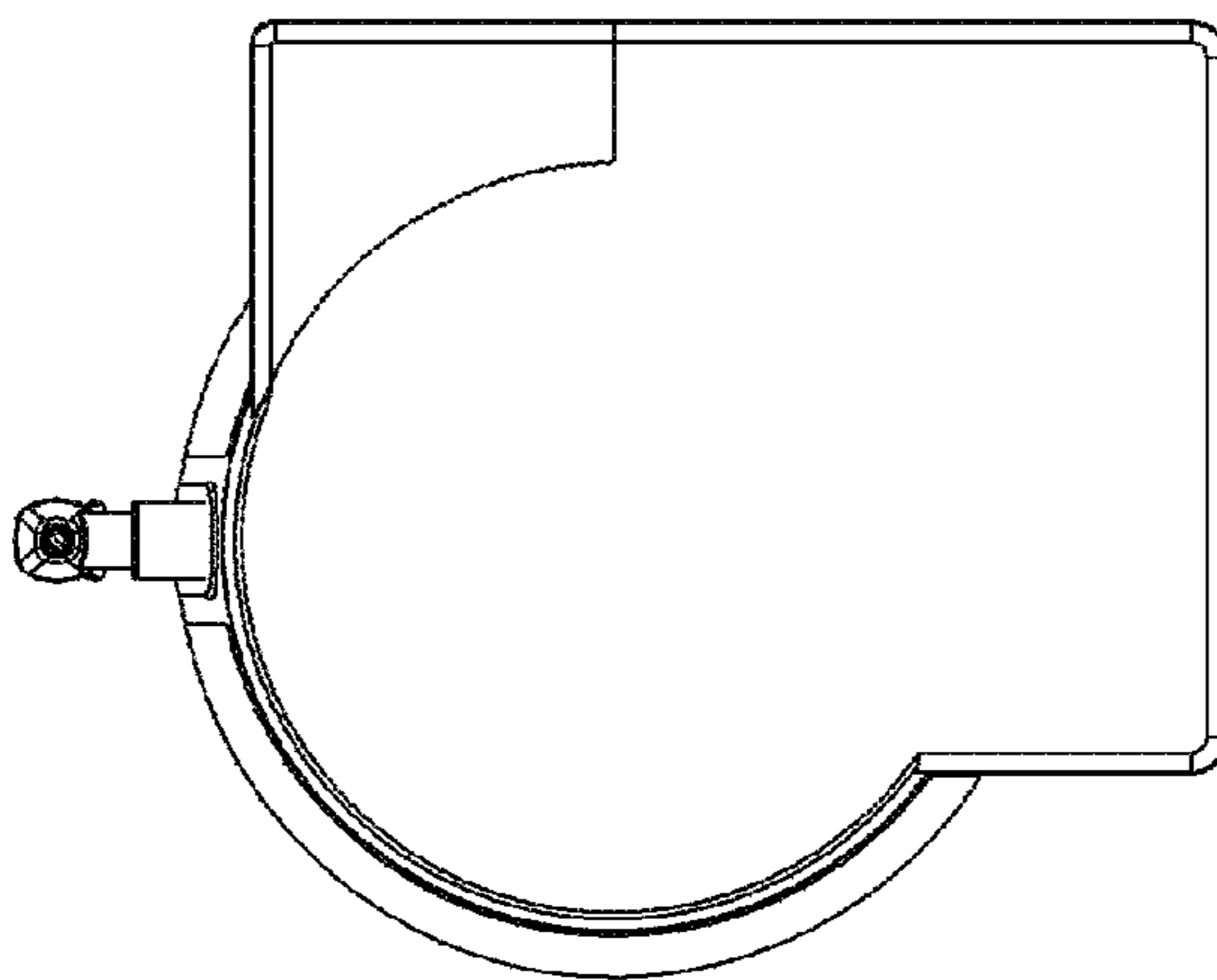


FIG. 8