

US00D730669S

(12) **United States Design Patent**
Kubryk

(10) **Patent No.:** **US D730,669 S**
(45) **Date of Patent:** **** Jun. 2, 2015**

(54) **TASK CHAIR**

- (71) Applicant: **Isaac Kubryk**, Lockeford, CA (US)
- (72) Inventor: **Isaac Kubryk**, Lockeford, CA (US)
- (73) Assignee: **Global Allies**, Lockeford, CA (US)
- (**) Term: **14 Years**
- (21) Appl. No.: **29/482,273**
- (22) Filed: **Feb. 17, 2014**
- (51) **LOC (10) Cl.** **06-01**
- (52) **U.S. Cl.**
USPC **D6/716**
- (58) **Field of Classification Search**
USPC D6/334–336, 366, 371, 372, 373, 374,
D6/375, 379, 380, 716, 716.1, 716.2, 716.4
CPC A47C 4/02; A47C 4/03; A47C 7/18;
A47C 3/12; A47C 5/12; A47C 5/04
See application file for complete search history.

(56) **References Cited**

U.S. PATENT DOCUMENTS

D655,099 S *	3/2012	Werner	D6/371
D660,055 S *	5/2012	Kane	D6/716
D683,570 S *	6/2013	Kubryk	D6/716
D720,551 S *	1/2015	Mueller	D6/373

OTHER PUBLICATIONS

U.S. Appl. No. 29/482,266, Kubryk.
U.S. Appl. No. 29/481,892, Kubryk.

* cited by examiner

Primary Examiner — Mimoso De

(74) *Attorney, Agent, or Firm* — Audrey A. Millemann;
Weintraub Tobin

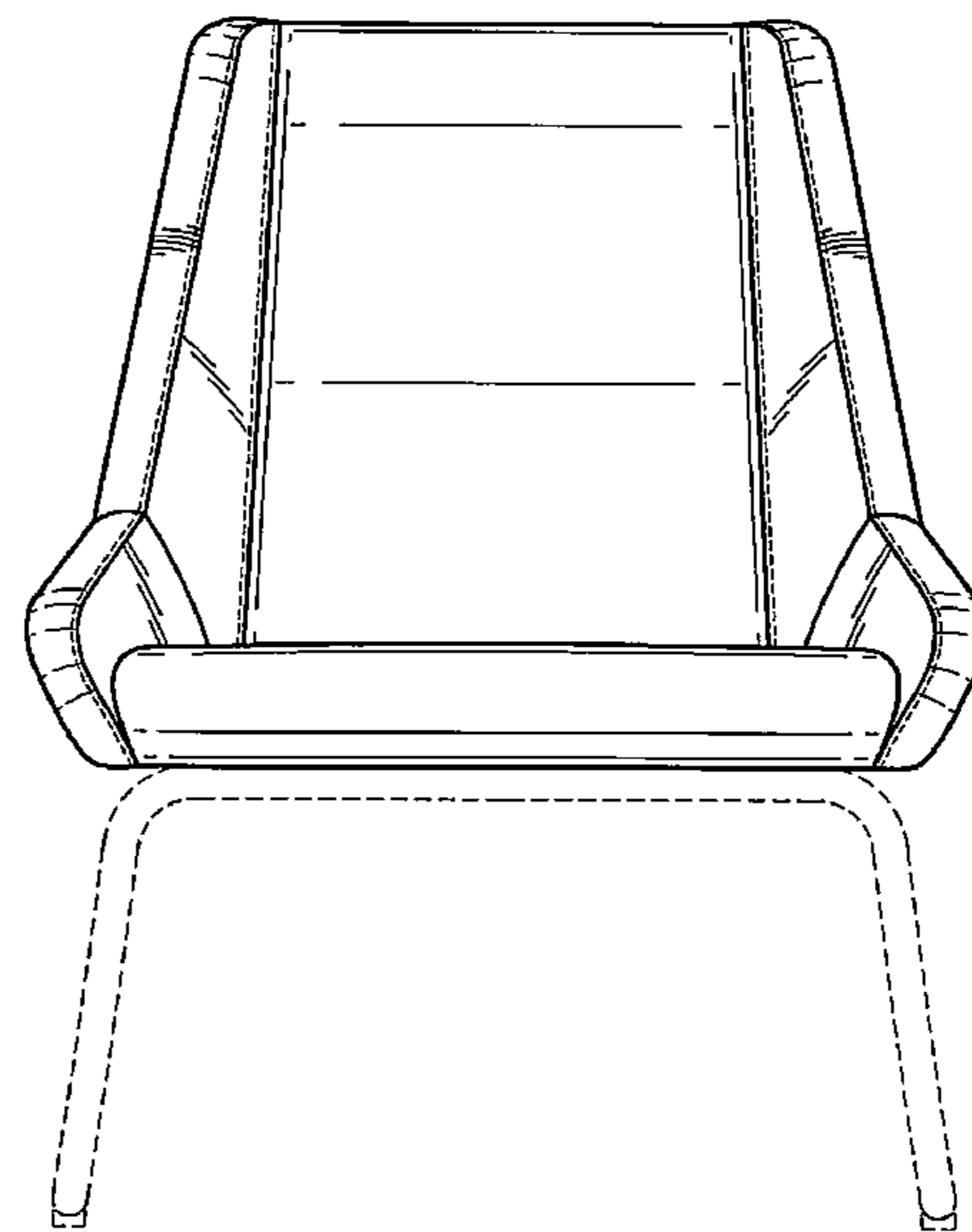
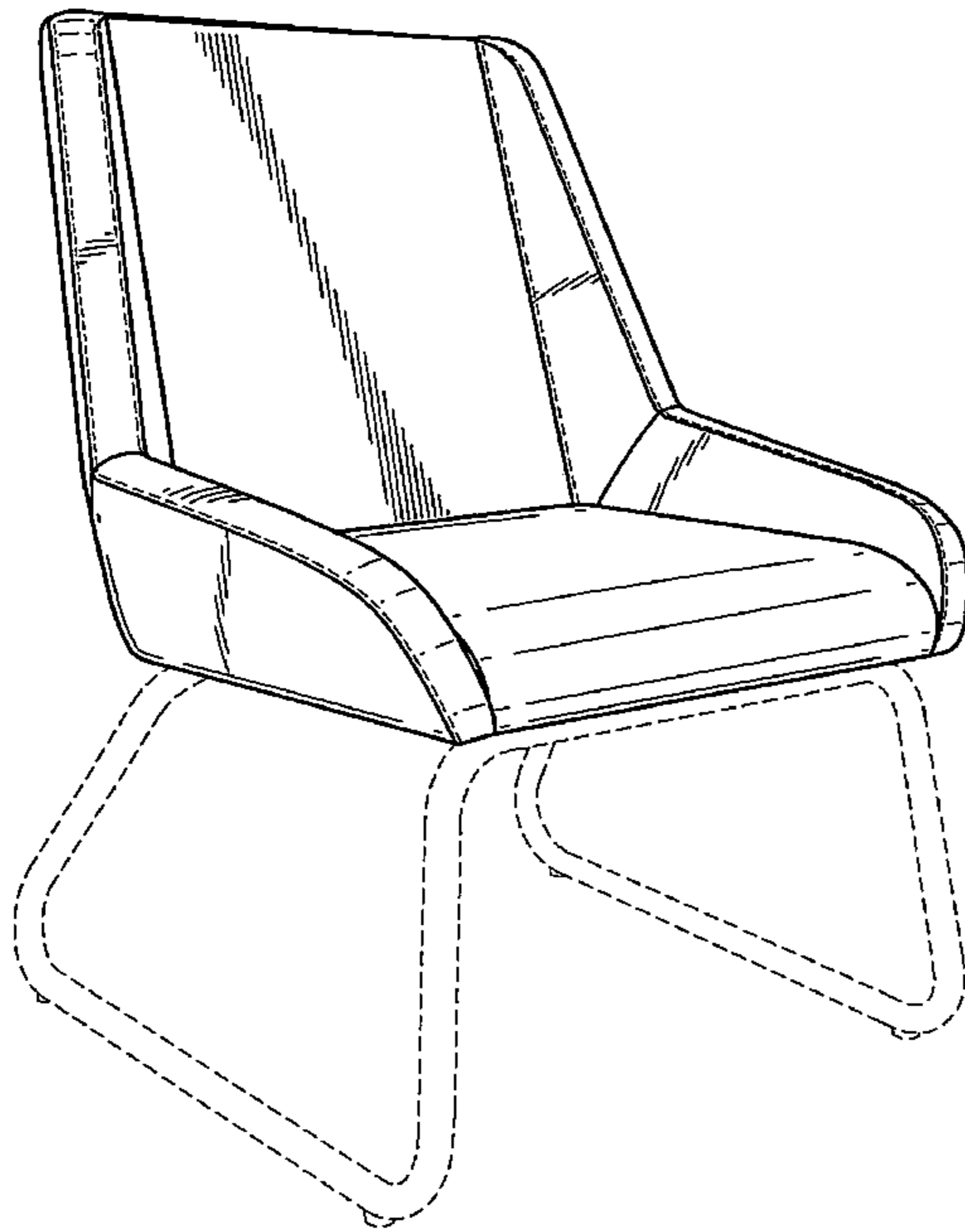
(57) **CLAIM**

The ornamental design for a task chair, as shown and described.

DESCRIPTION

FIG. 1 is a perspective view of a task chair, looking toward the right front corner, showing my new design;
FIG. 2 is a front view thereof;
FIG. 3 is a left side view thereof;
FIG. 4 is a back view thereof;
FIG. 5 is a top view thereof; and,
FIG. 6 is a bottom view thereof.
The broken lines shown in the drawing are for illustrative purposes only and form no part of the claimed design.

1 Claim, 5 Drawing Sheets



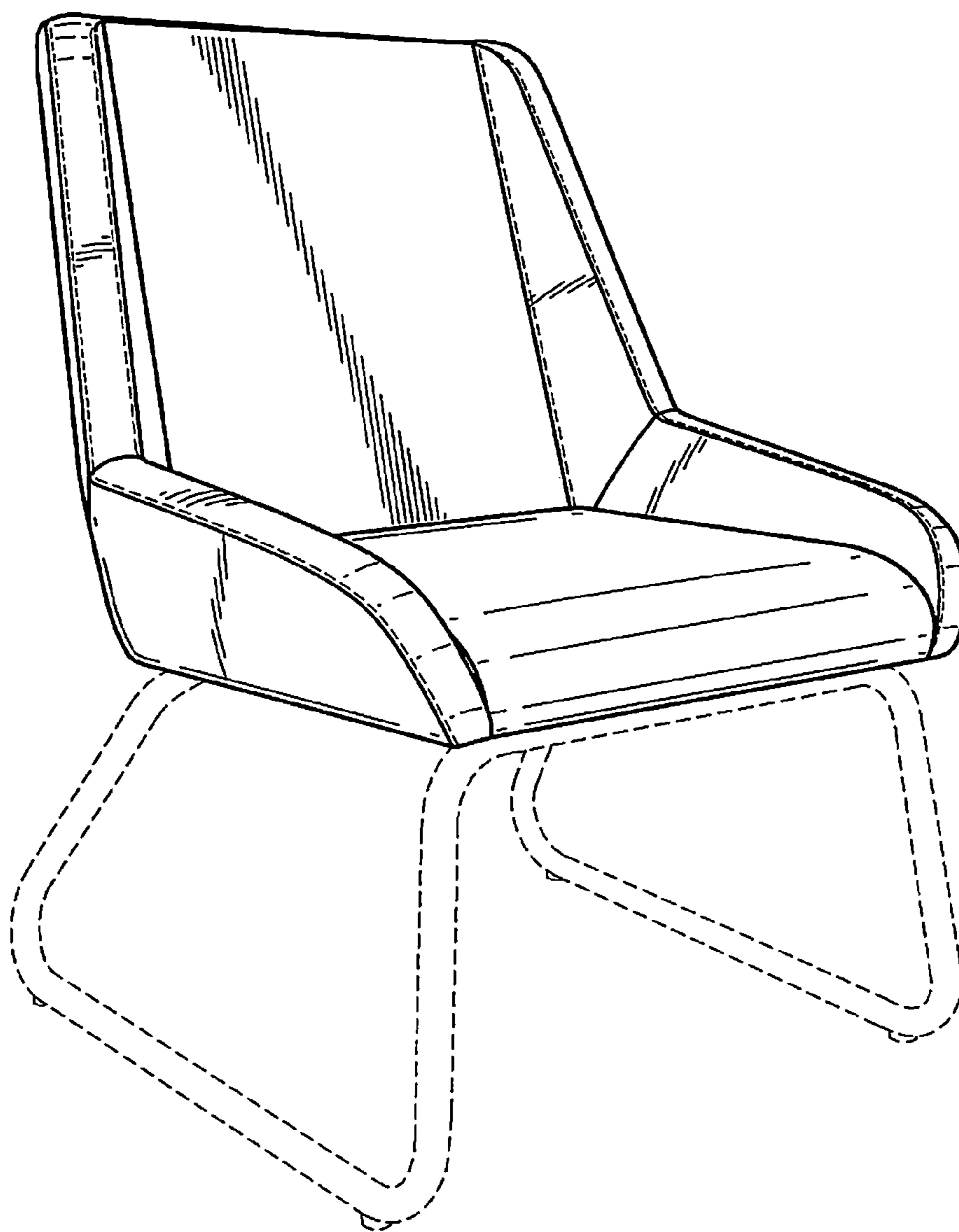


FIG. 1

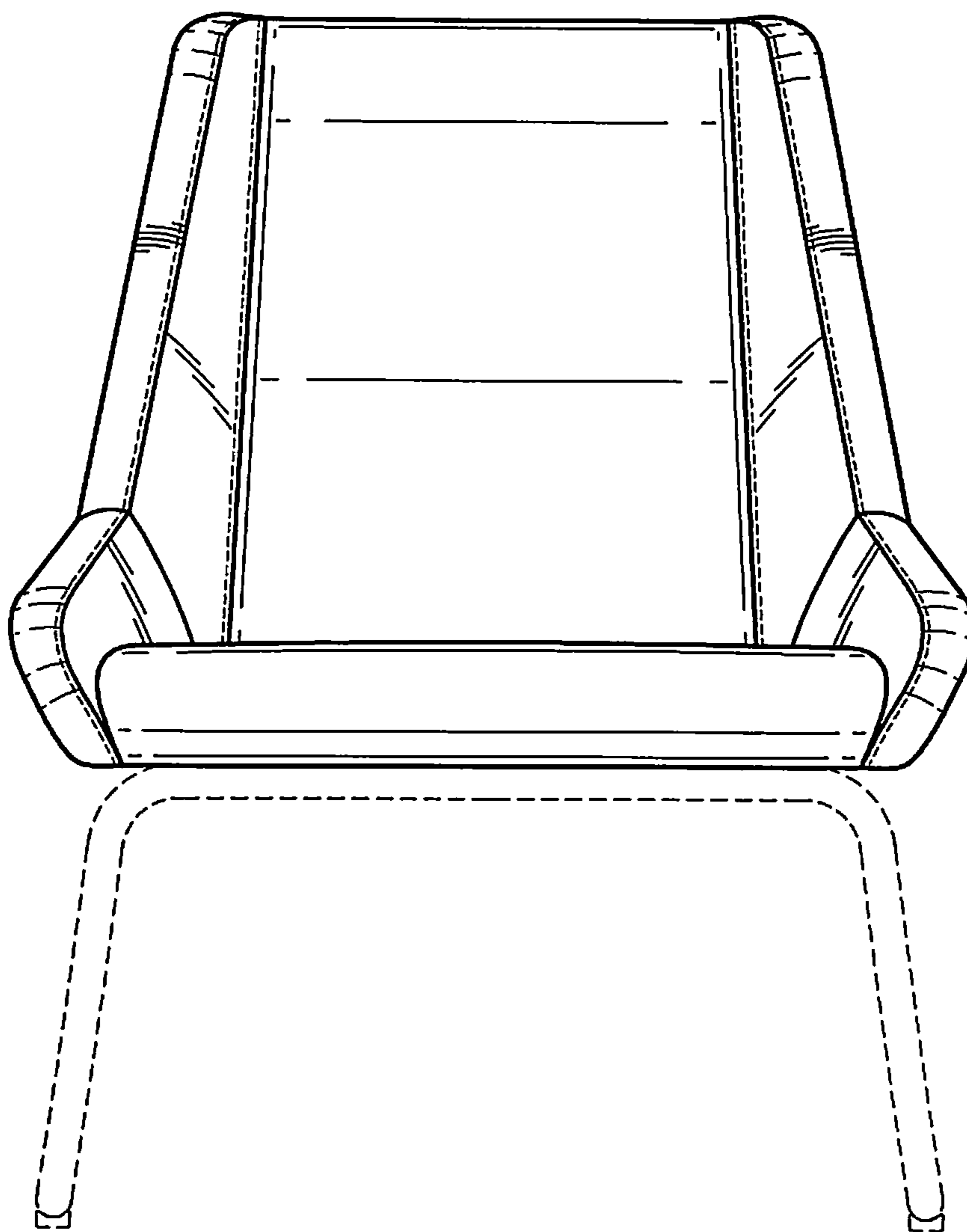


FIG. 2

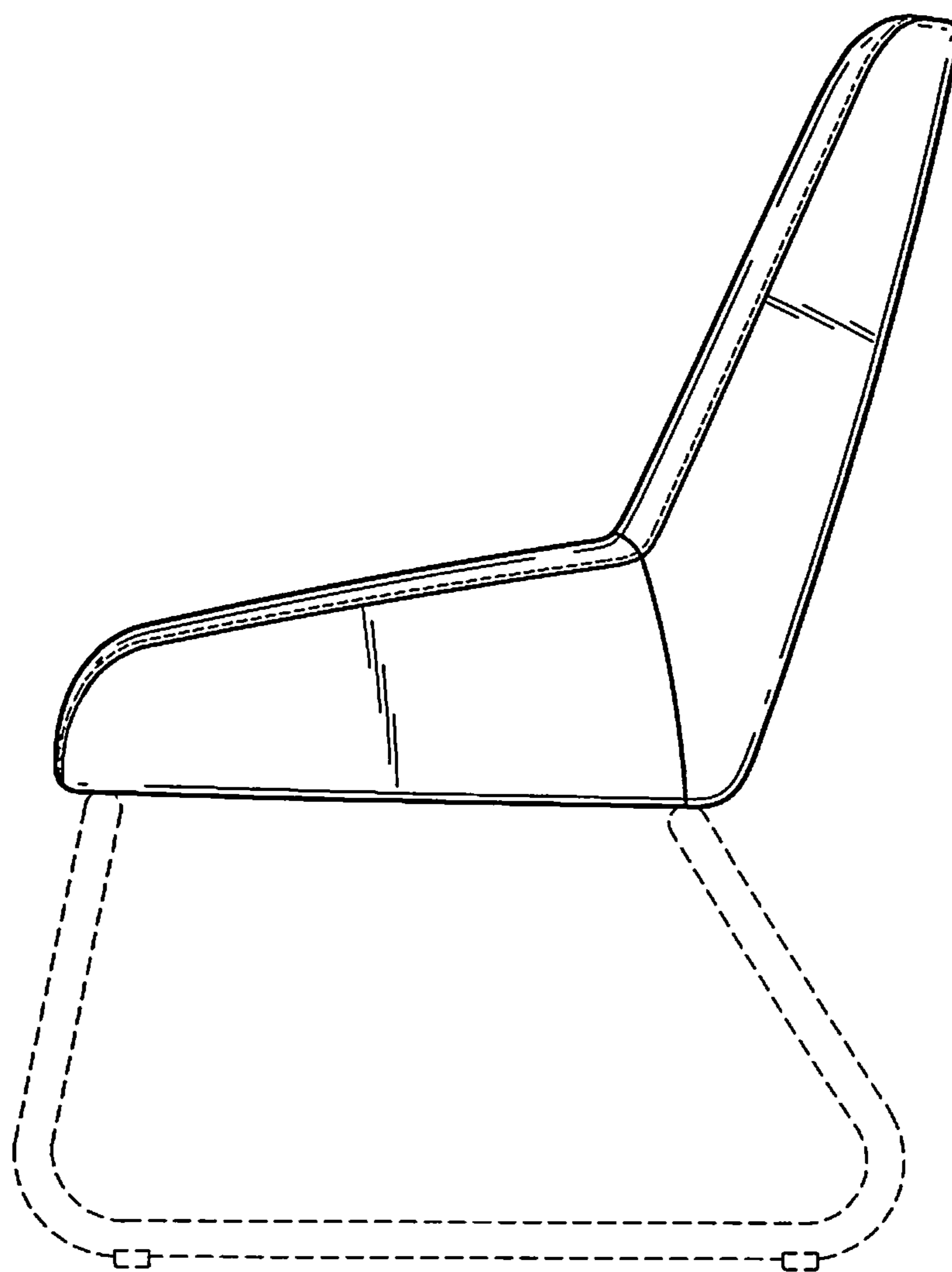


FIG. 3

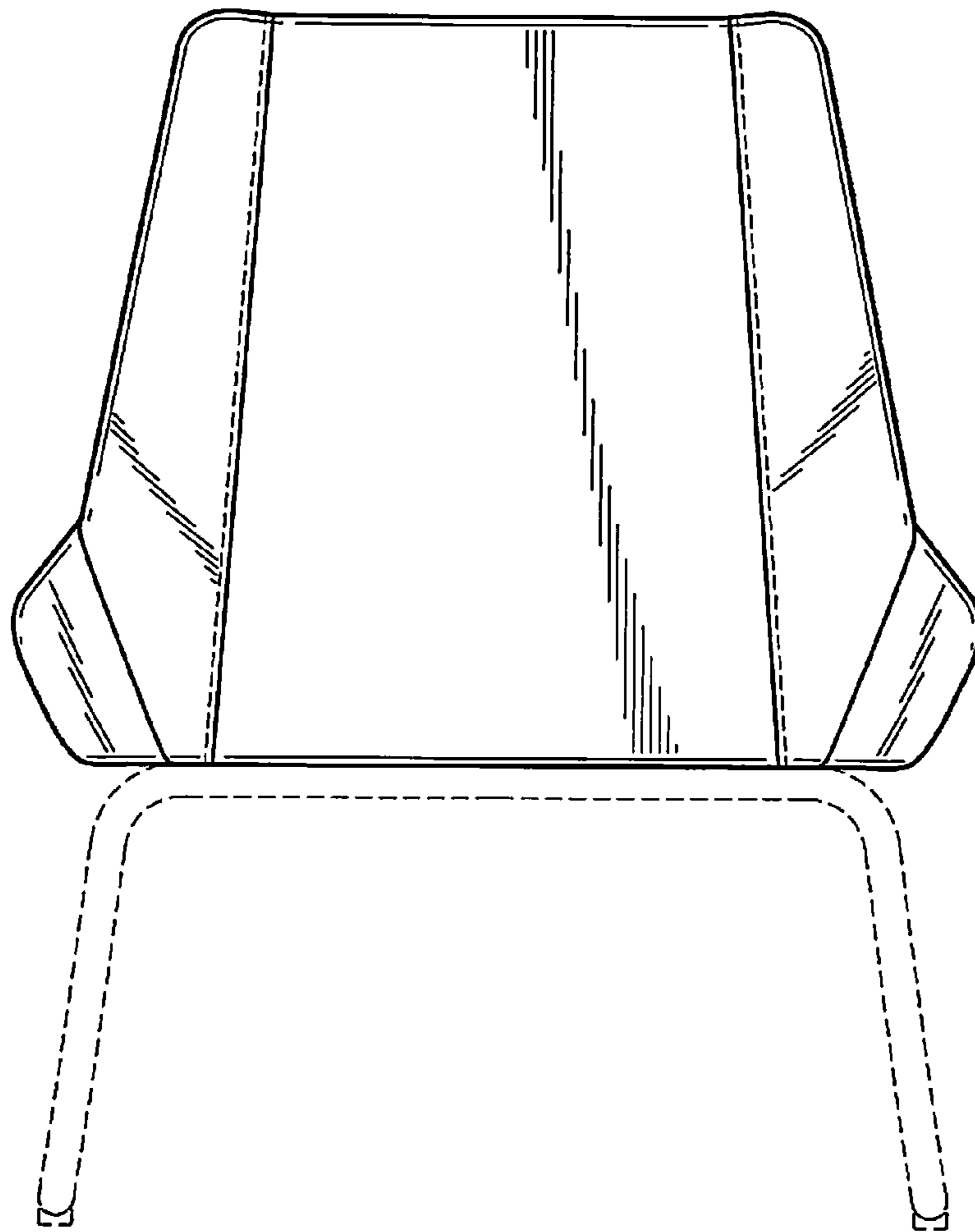


FIG. 4

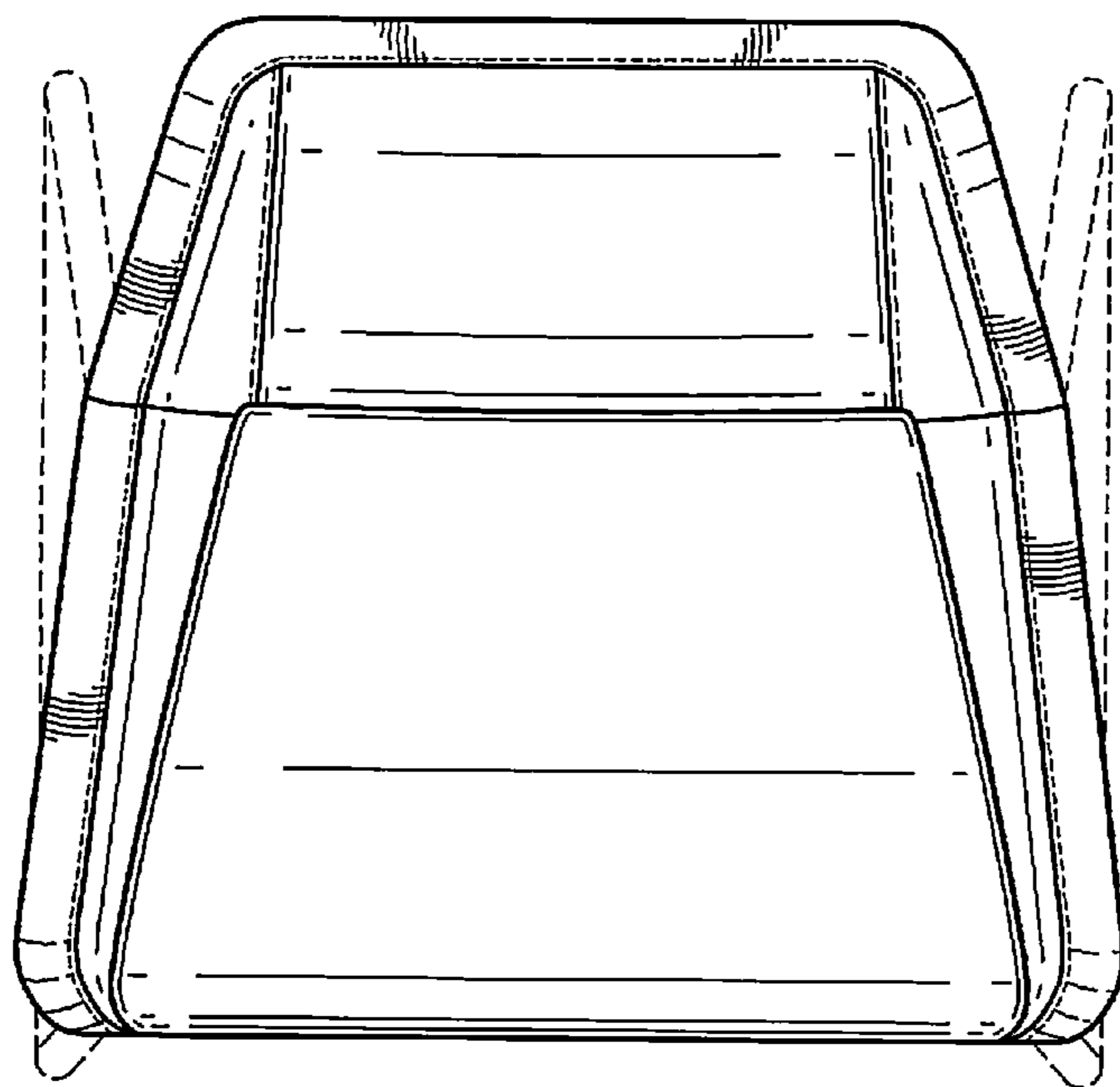


FIG. 5

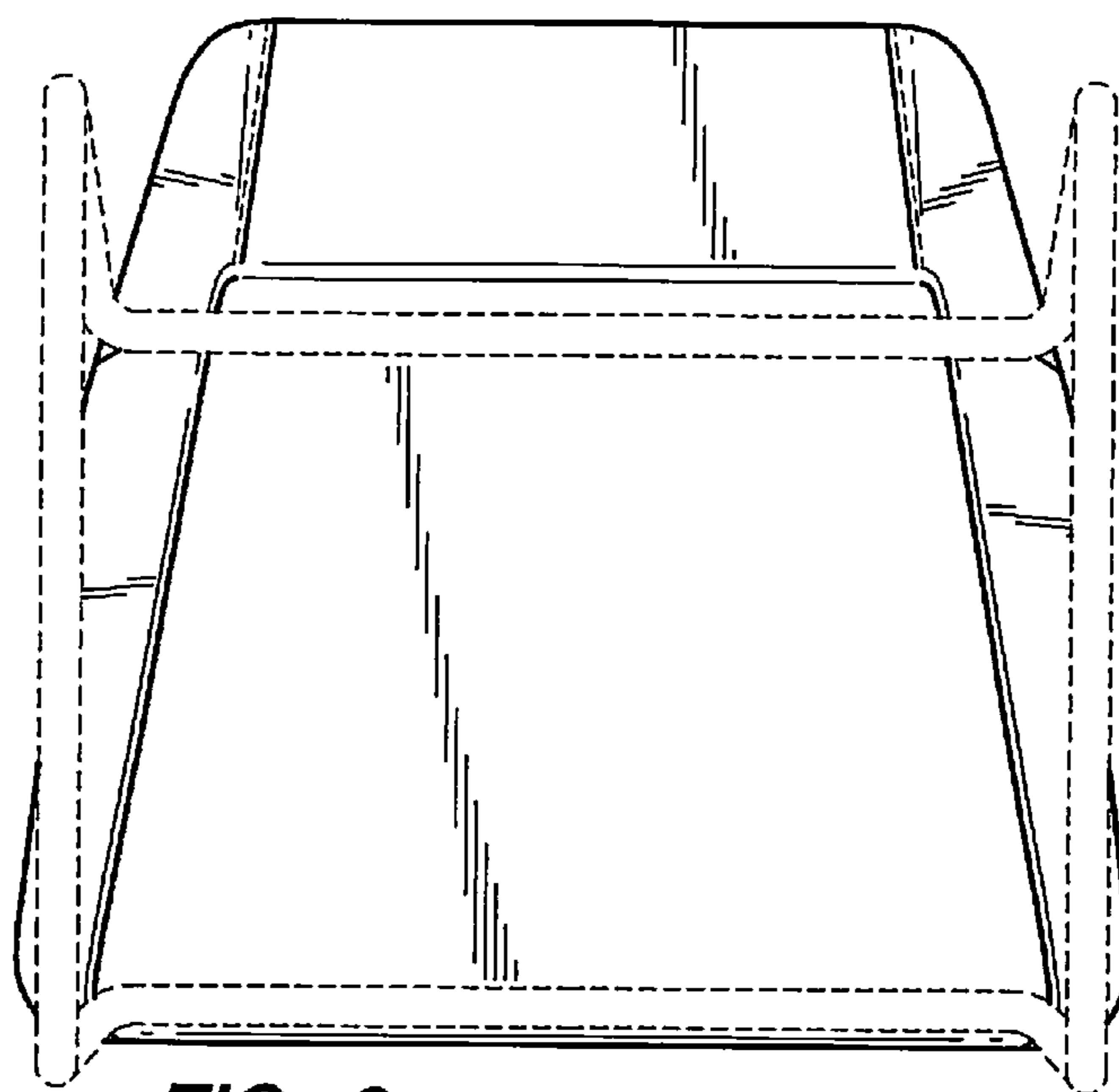


FIG. 6