

US00D730668S

(12) **United States Design Patent**
Fletcher

(10) **Patent No.:** **US D730,668 S**
(45) **Date of Patent:** **** Jun. 2, 2015**

- (54) **DESK TOP**
- (71) Applicant: **Virco Mfg. Corporation**, Torrance, CA (US)
- (72) Inventor: **Scott Fletcher**, Redondo Beach, CA (US)
- (73) Assignee: **VIRCO MFG. CORPORATION**, Torrance, CA (US)
- (**) Term: **14 Years**
- (21) Appl. No.: **29/478,474**
- (22) Filed: **Jan. 6, 2014**
- (51) **LOC (10) Cl.** **06-01**
- (52) **U.S. Cl.**
USPC **D6/707.22**; D6/341; D6/707
- (58) **Field of Classification Search**
USPC D6/330, 336-341, 346, 349-355, 357, D6/362, 364-373, 376, 377, 381, 555, 645, D6/656, 658, 665, 674, 675.5, 676, 682.4, D6/685-692, 694, 694.2, 704, 705, 707, D6/707.8, 707.19, 708, 708.2, 708.23, D6/716.1-716.6, 717, 717.2
CPC A47C 3/18-3/20; A47C 5/02; A47C 9/00; A47C 11/00; A47C 13/00; A47C 9/06; A47C 7/16; A47C 39/00; A47B 39/00; A47B 41/00
See application file for complete search history.

- D355,091 S 2/1995 Green et al.
- D365,712 S 1/1996 Smith
- D388,651 S * 1/1998 Graebe et al. D6/601
- D390,382 S * 2/1998 Schwartz D6/480
- D392,132 S * 3/1998 Barlow-Lawson D6/511
- D395,969 S 7/1998 Barlow-Lawson
- D425,344 S 5/2000 Barlow-Lawson
- D437,144 S 2/2001 Fear

(Continued)

Primary Examiner — Susan Bennett Hattan
Assistant Examiner — Vy Koenig
(74) *Attorney, Agent, or Firm* — Denton L. Anderson; Leech Tishman Fuscaldo & Lampl; Robert M. Hupe

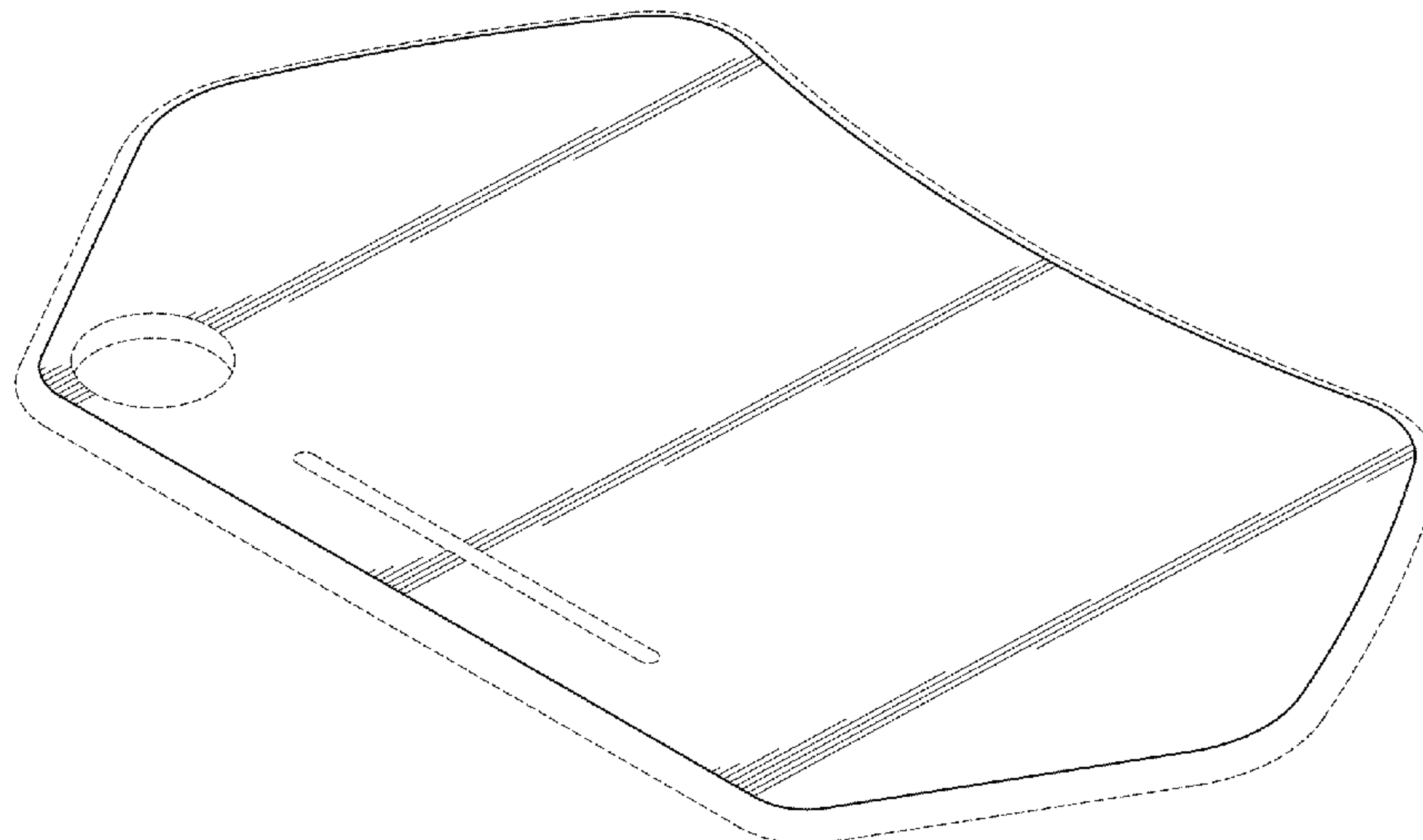
(57) **CLAIM**
The ornamental design for a desk top, as shown and described.

DESCRIPTION

FIG. 1 is a perspective view showing the new design, the broken lines depict portions of the desk top that form no part of the claimed design;
FIG. 2 is a front view of the desk top illustrated in FIG. 1, the broken lines depict portions of the desk top that form no part of the claimed design;
FIG. 3 is a rear view of the desk top illustrated in FIG. 1, the broken lines depict portions of the desk top that form no part of the claimed design;
FIG. 4 is a first side view of the desk top illustrated in FIG. 1, the opposite side view being a mirror image of the first side view, the broken lines depict portions of the desk top that form no part of the claimed design;
FIG. 5 is a top view of the desk top illustrated in FIG. 1, the broken lines depict portions of the desk top that form no part of the claimed design; and,
FIG. 6 is a bottom view of the desk top illustrated in FIG. 1, the broken lines depict portions of the desk top that form no part of the claimed design.

1 Claim, 2 Drawing Sheets

- (56) **References Cited**
U.S. PATENT DOCUMENTS
D142,470 S * 10/1945 Cornish D6/428
D149,416 S * 4/1948 Jones D6/428
D161,995 S 2/1951 Bargaen
D294,793 S * 3/1988 Luccisano D6/601
D342,634 S 12/1993 Barlow-Lawson
D354,187 S 1/1995 Daukus et al.



(56)

References Cited

U.S. PATENT DOCUMENTS

D437,707 S	2/2001	Fear	
D440,798 S *	4/2001	Kuhlman et al.	D6/511
6,215,939 B1 *	4/2001	Cloud	385/135
D450,949 S *	11/2001	Grabowski et al.	D6/480
D452,787 S	1/2002	Petri	
D459,121 S	6/2002	Smith	
D462,972 S *	9/2002	Smyth et al.	D14/478
D468,142 S *	1/2003	Plavsic	D6/511
D484,340 S *	12/2003	Barlow-Lawson	D6/511
D506,081 S *	6/2005	Moore	D6/349
D506,340 S	6/2005	Brandon	
D513,571 S *	1/2006	Haack	D6/601
D523,663 S *	6/2006	Risdall	D6/480
D537,650 S *	3/2007	Luong	D6/422
D571,586 S	6/2008	Burak	
D573,820 S	7/2008	Burak	
D590,644 S *	4/2009	Derocher et al.	D6/511
D594,682 S *	6/2009	Burak	D6/511
D610,380 S *	2/2010	Momeny	D6/511
D617,577 S *	6/2010	Day	D6/449
D640,883 S	7/2011	Colfer et al.	
D646,916 S	10/2011	Barrett et al.	
D648,584 S	11/2011	Ellis	
D702,974 S *	4/2014	Madison et al.	D6/650

* cited by examiner

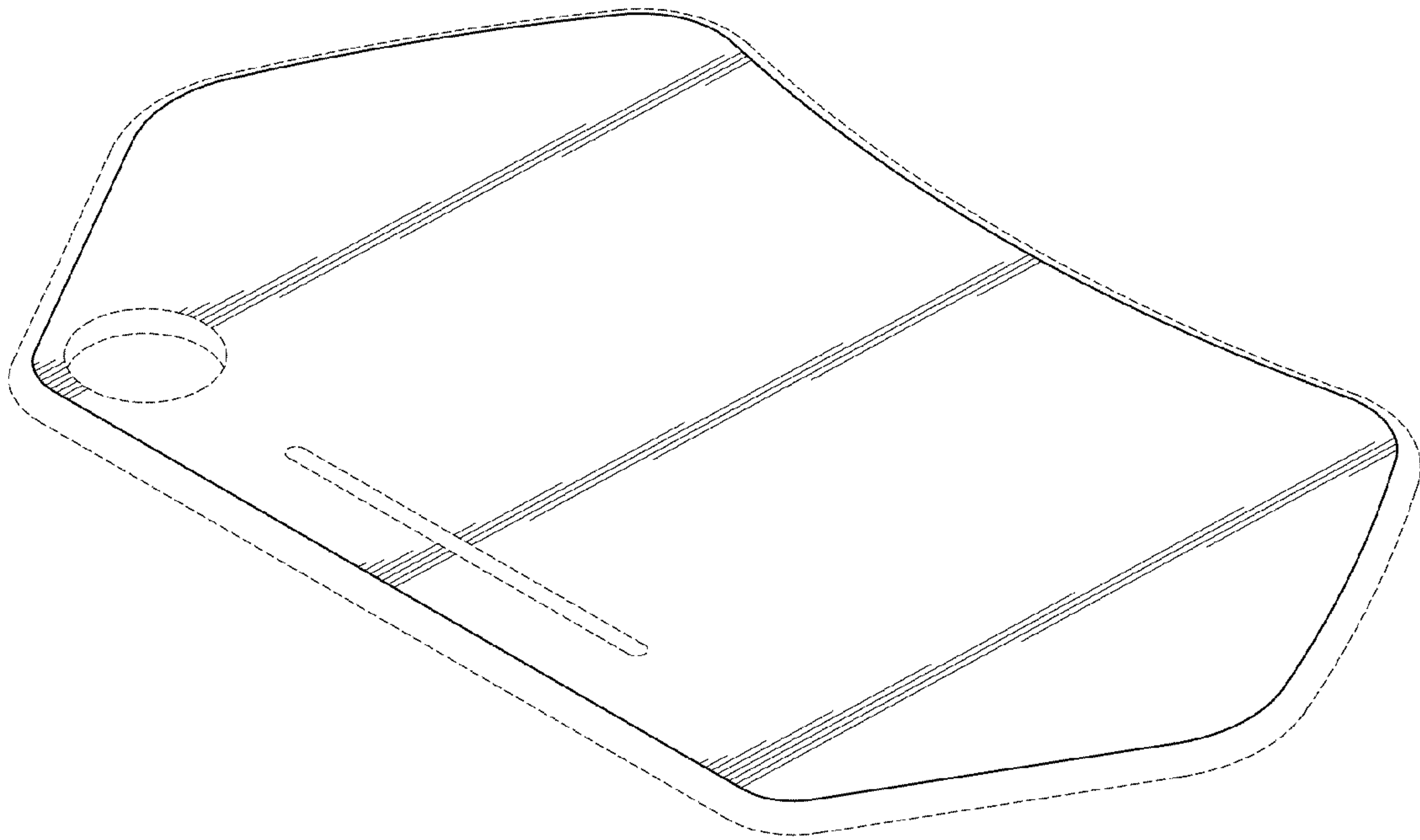


FIG. 1



FIG. 2

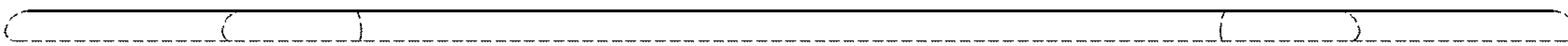


FIG. 3

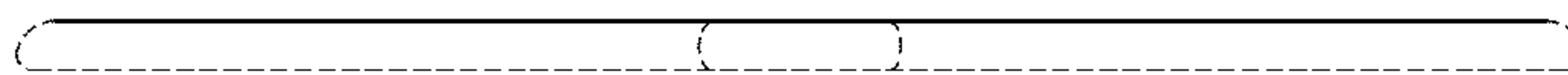


FIG. 4

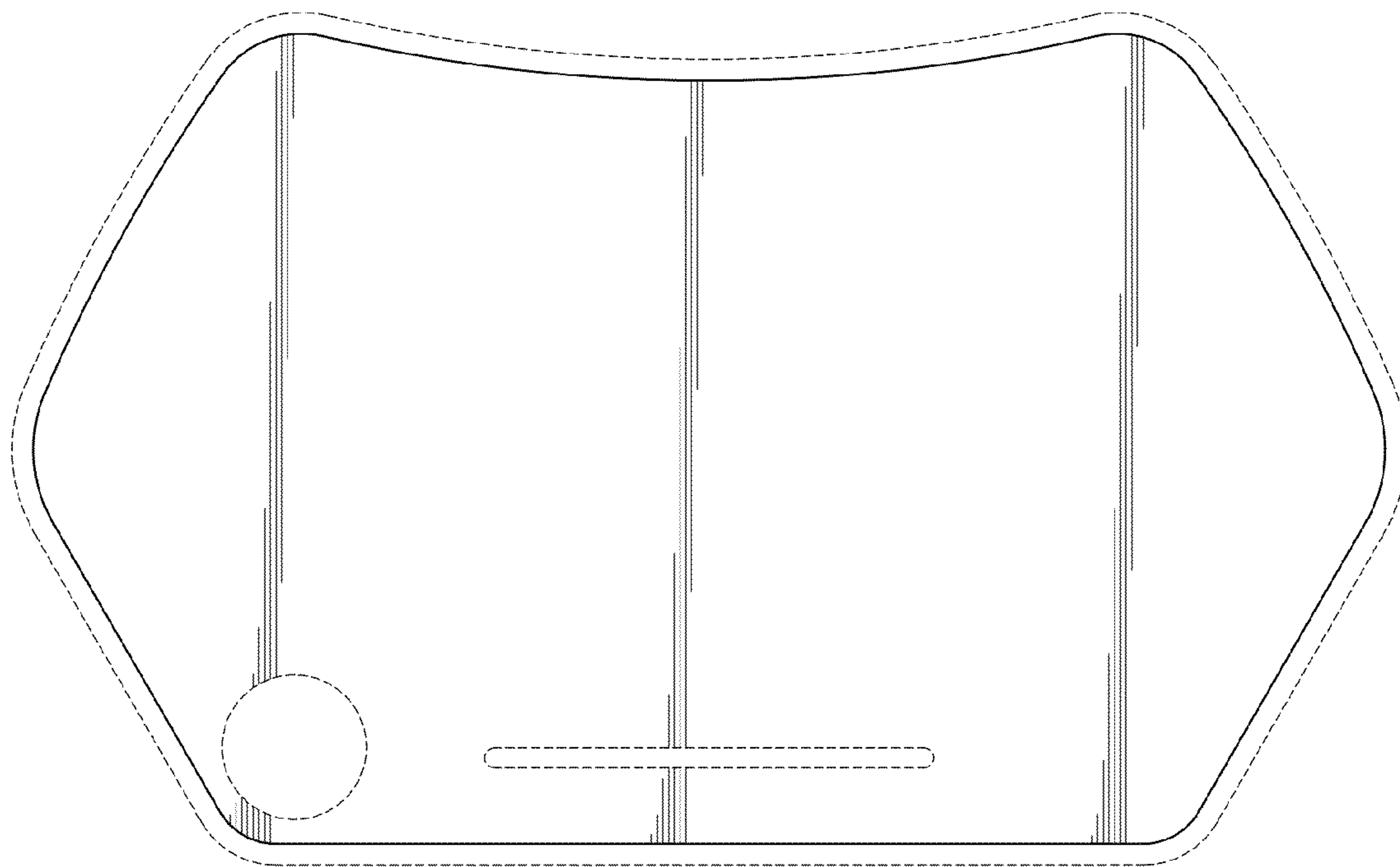


FIG. 5

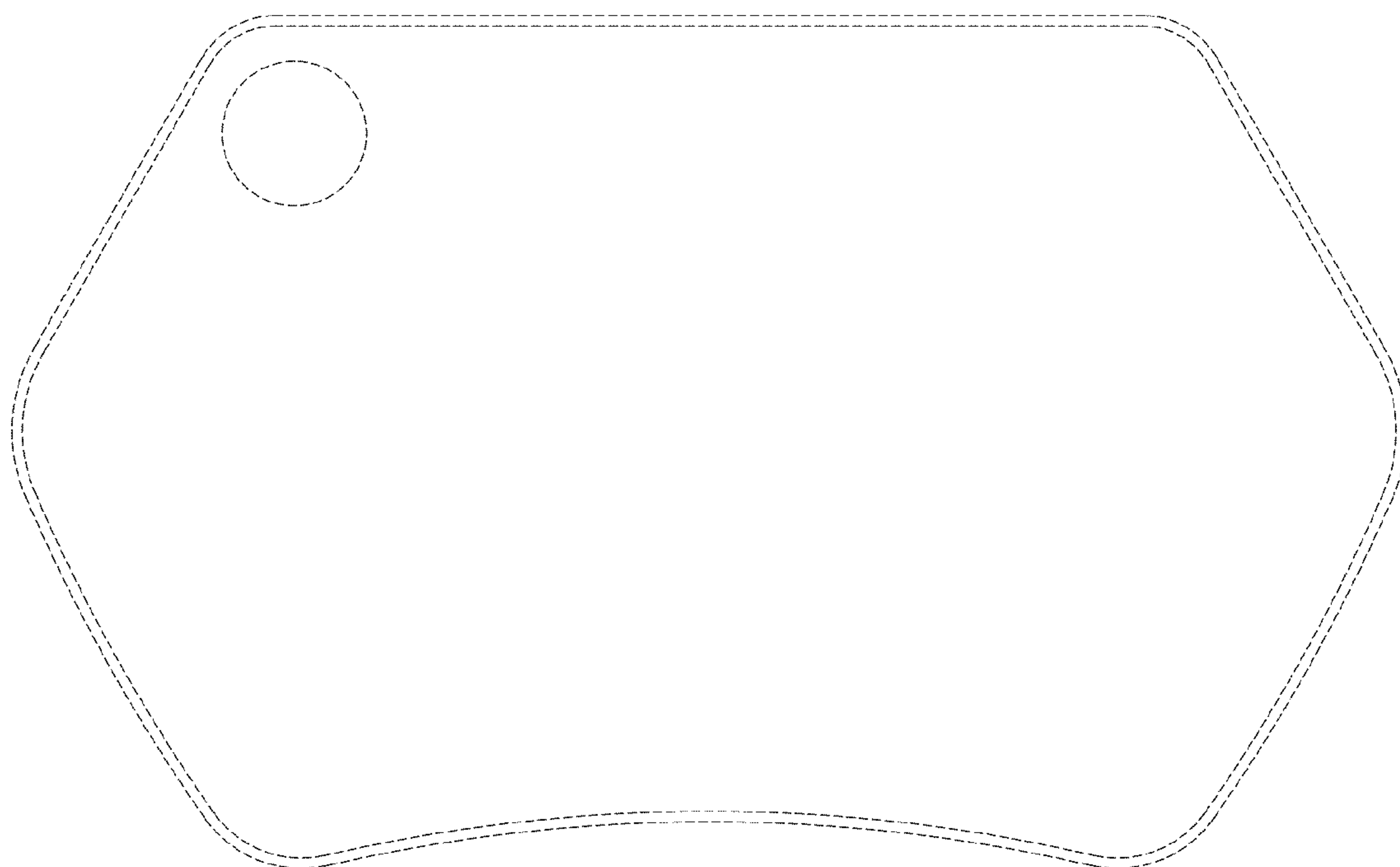


FIG. 6