



US00D730666S

(12) **United States Design Patent**
Goodman et al.

(10) **Patent No.:** **US D730,666 S**
(45) **Date of Patent:** **** Jun. 2, 2015**

(54) **EXPANDABLE SHELF**

(71) Applicant: **Spectrum Diversified Designs, Inc.**,
Streetsboro, OH (US)

(72) Inventors: **Sheldon H. Goodman**, Solon, OH (US);
Phaysouk Xayoiphonh, Akron, OH
(US)

(73) Assignee: **Spectrum Diversified Designs, Inc.**,
Streetsboro, OH (US)

(**) Term: **14 Years**

(21) Appl. No.: **29/507,605**

(22) Filed: **Oct. 29, 2014**

(51) **LOC (10) Cl.** **06-06**

(52) **U.S. Cl.**
USPC **D6/675.3**

(58) **Field of Classification Search**
USPC D6/429, 460-461, 464, 468, 474,
D6/477-479, 672, 675, 675.1, 675.3;
108/11, 59, 65, 91-92, 96, 137;
211/42, 85, 87.01, 90.01, 107, 111,
211/119.003, 134, 186, 189, 195
See application file for complete search history.

(56) **References Cited**

U.S. PATENT DOCUMENTS

5,097,971 A * 3/1992 Norris et al. 211/126.6
D367,385 S * 2/1996 Kasten D6/503
D444,975 S * 7/2001 West D6/511

D455,585 S * 4/2002 West D6/511
D479,778 S * 9/2003 Haney et al. D6/511
D485,109 S * 1/2004 Oberhaus D6/574
D579,237 S * 10/2008 Gusdorf D6/462
D587,492 S * 3/2009 Gusdorf D6/462
D690,966 S * 10/2013 Goodman et al. D6/675.5
D717,599 S * 11/2014 Lu D7/409
D719,383 S * 12/2014 Goodman et al. D6/675.5

* cited by examiner

Primary Examiner — Kelley Donnelly

(74) *Attorney, Agent, or Firm* — Benesch Friedlander
Coplan & Aronoff LLP

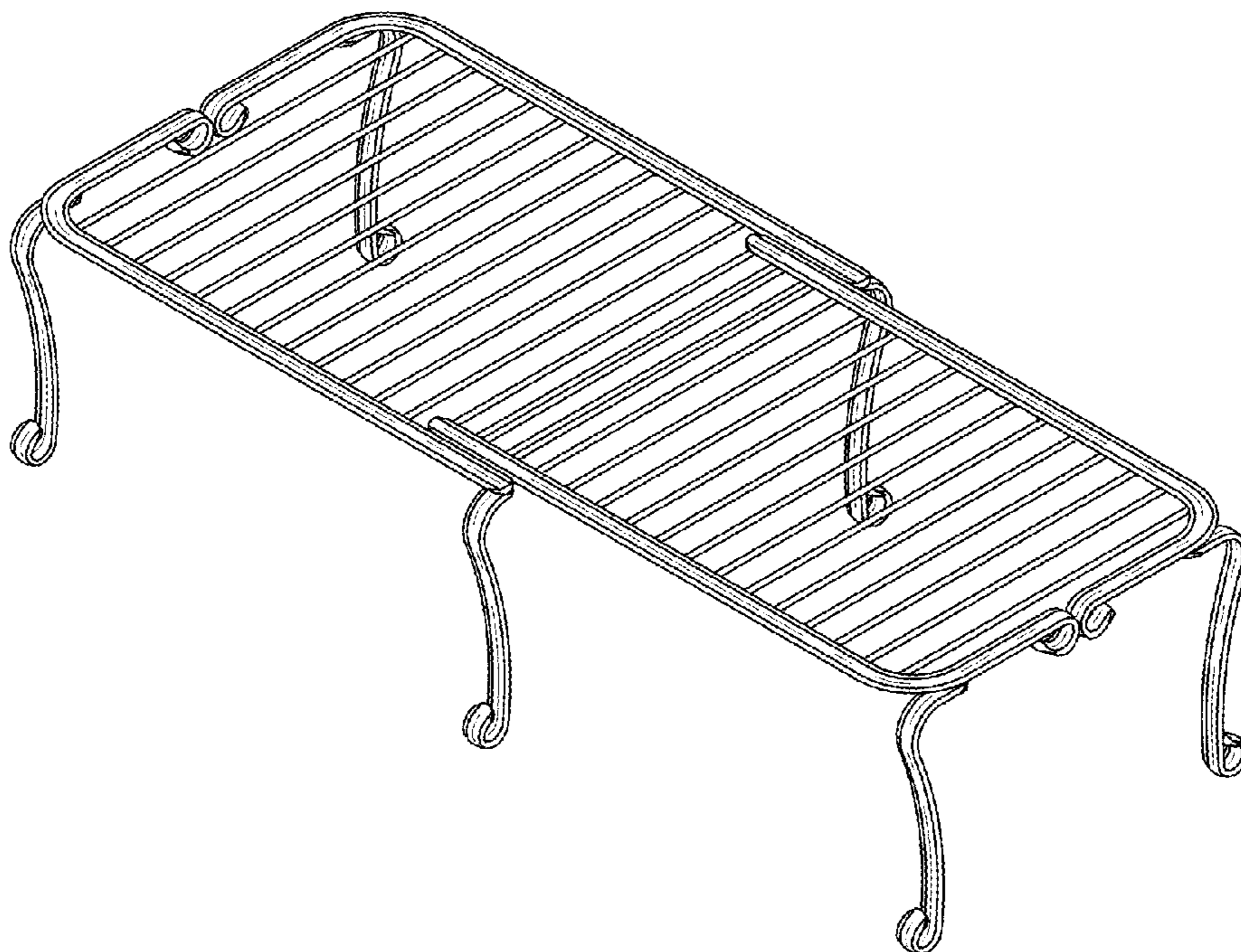
(57) **CLAIM**

What is claimed is the ornamental design for an expandable shelf, as shown and described.

DESCRIPTION

FIG. 1 is a perspective view of an expandable shelf showing a new design;
FIG. 2 is a front view of the expandable shelf of FIG. 1;
FIG. 3 is a right side view of the expandable shelf of FIG. 1;
FIG. 4 is a left side view of the expandable shelf of FIG. 1;
FIG. 5 is a cross-sectional view taken along line 5-5 of FIG. 2;
FIG. 6 is a top view of the expandable shelf of FIG. 1;
FIG. 7 is a bottom view of the expandable shelf of FIG. 1;
FIG. 8 is a perspective view of another embodiment of the expandable shelf of FIG. 1; and,
FIG. 9 is a cross-sectional view taken along line 9-9 of FIG. 8.
The components of the display shown in broken lines illustrate portions of the expandable shelf form no part of the claimed design.

1 Claim, 4 Drawing Sheets



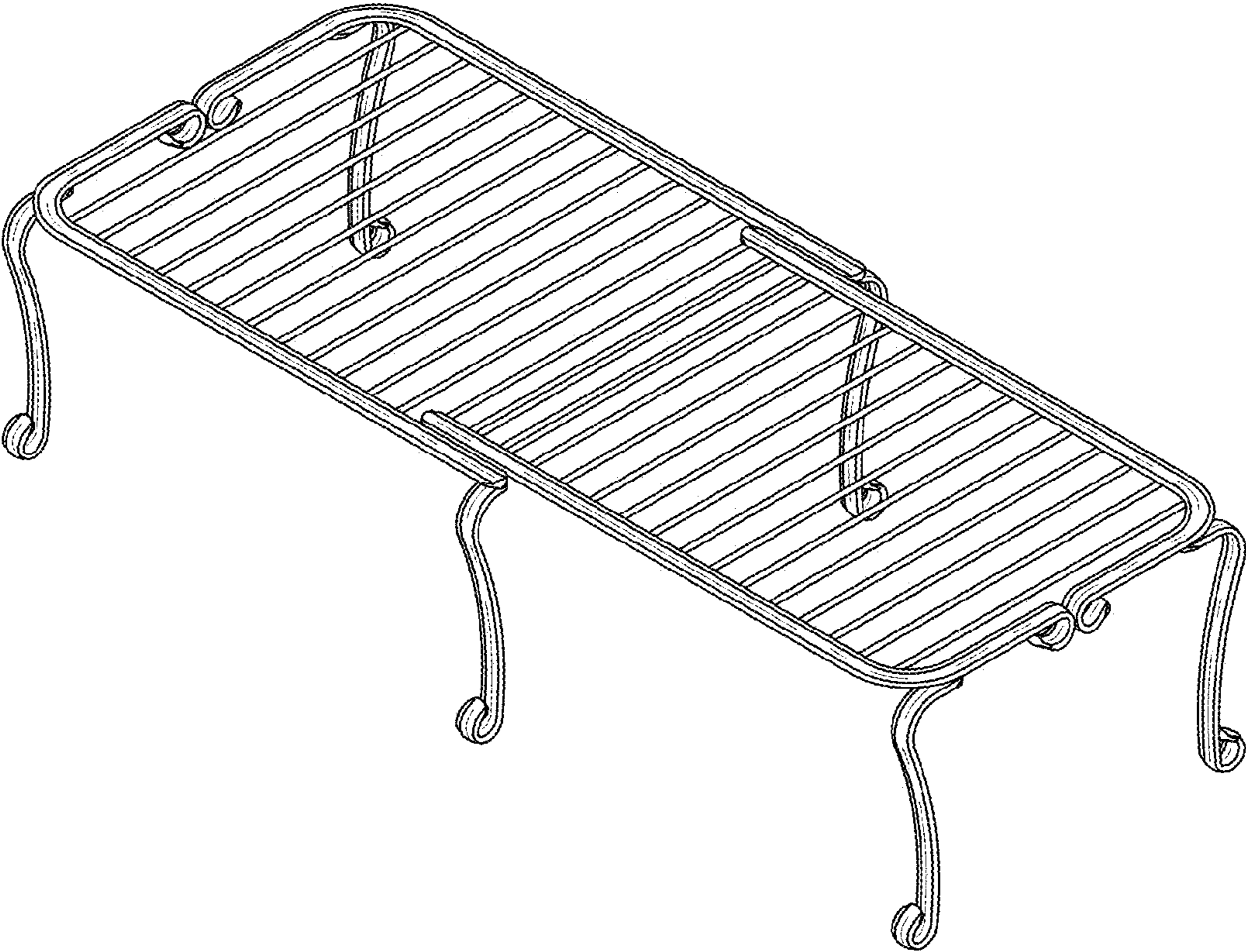


FIG. 1

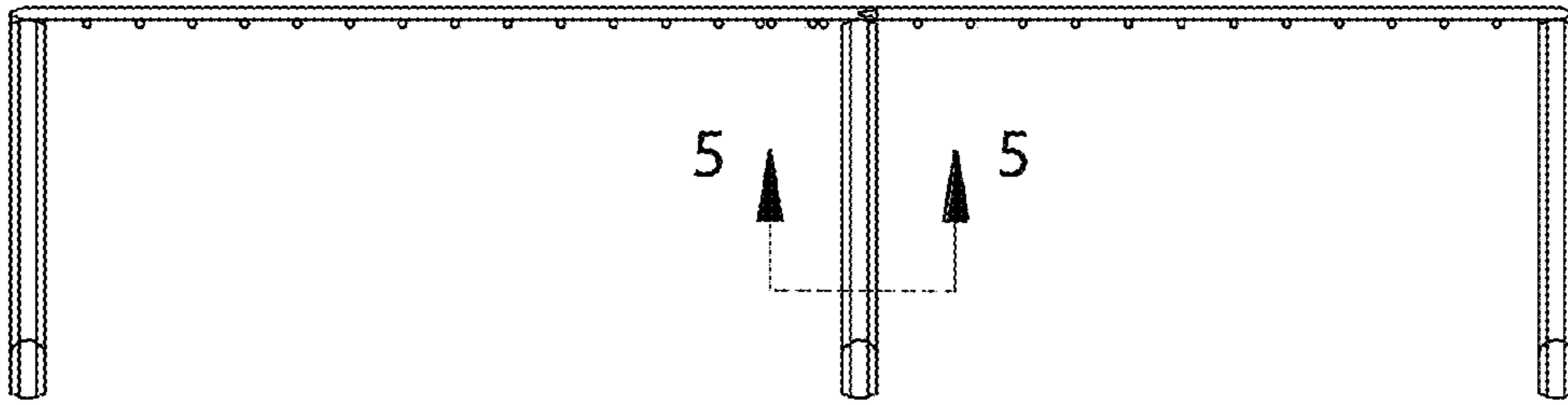


FIG. 2

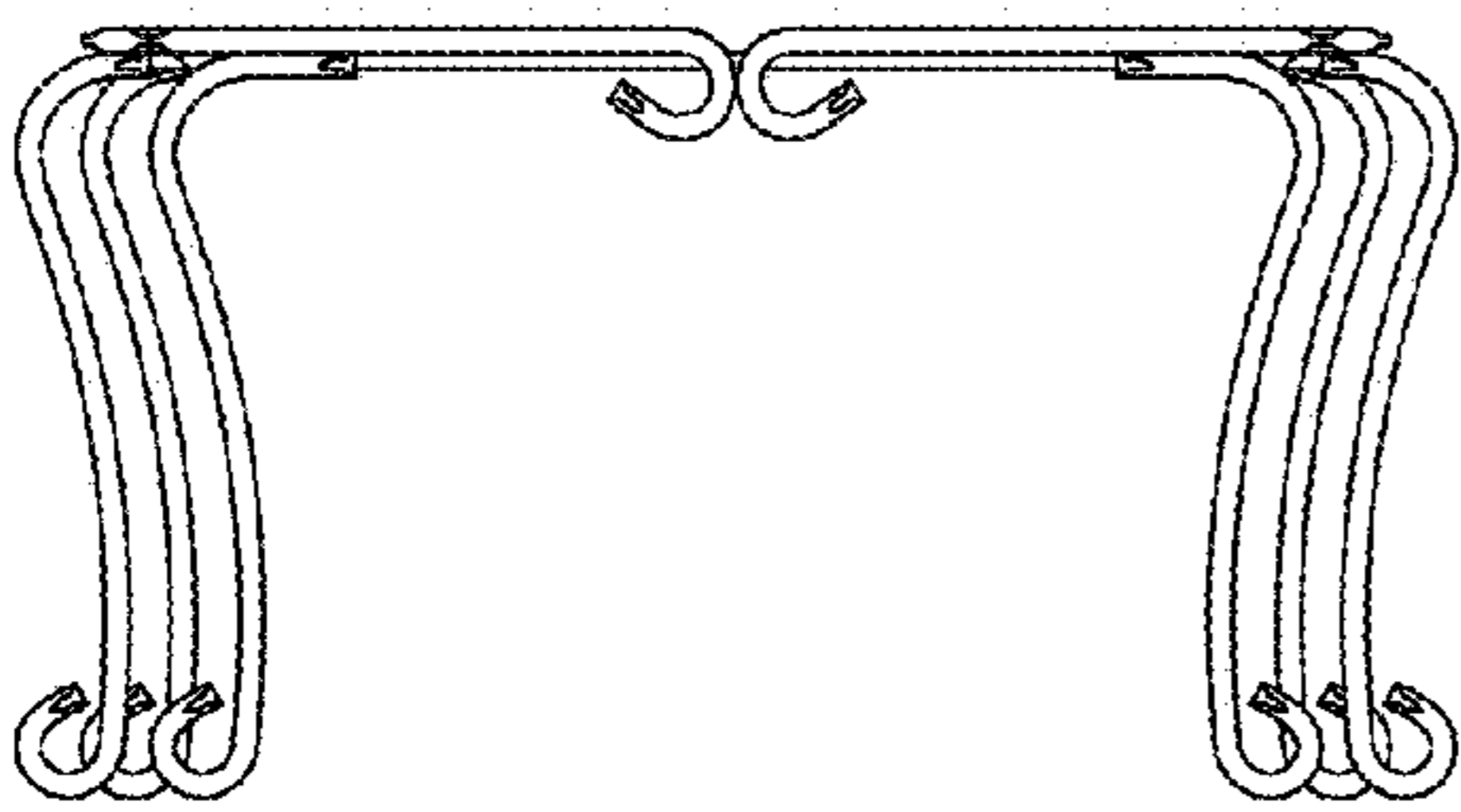


FIG. 3

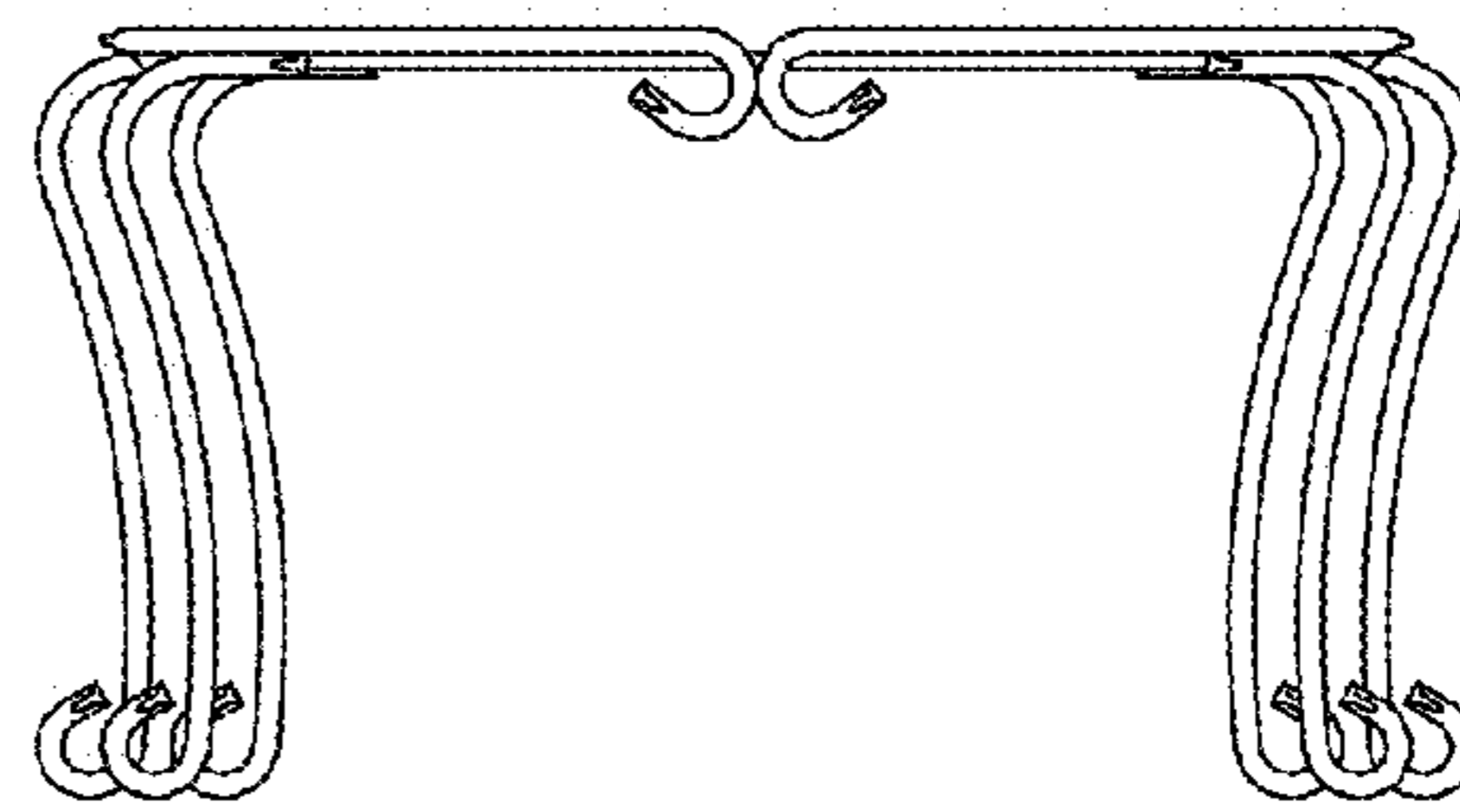


FIG. 4



FIG. 5

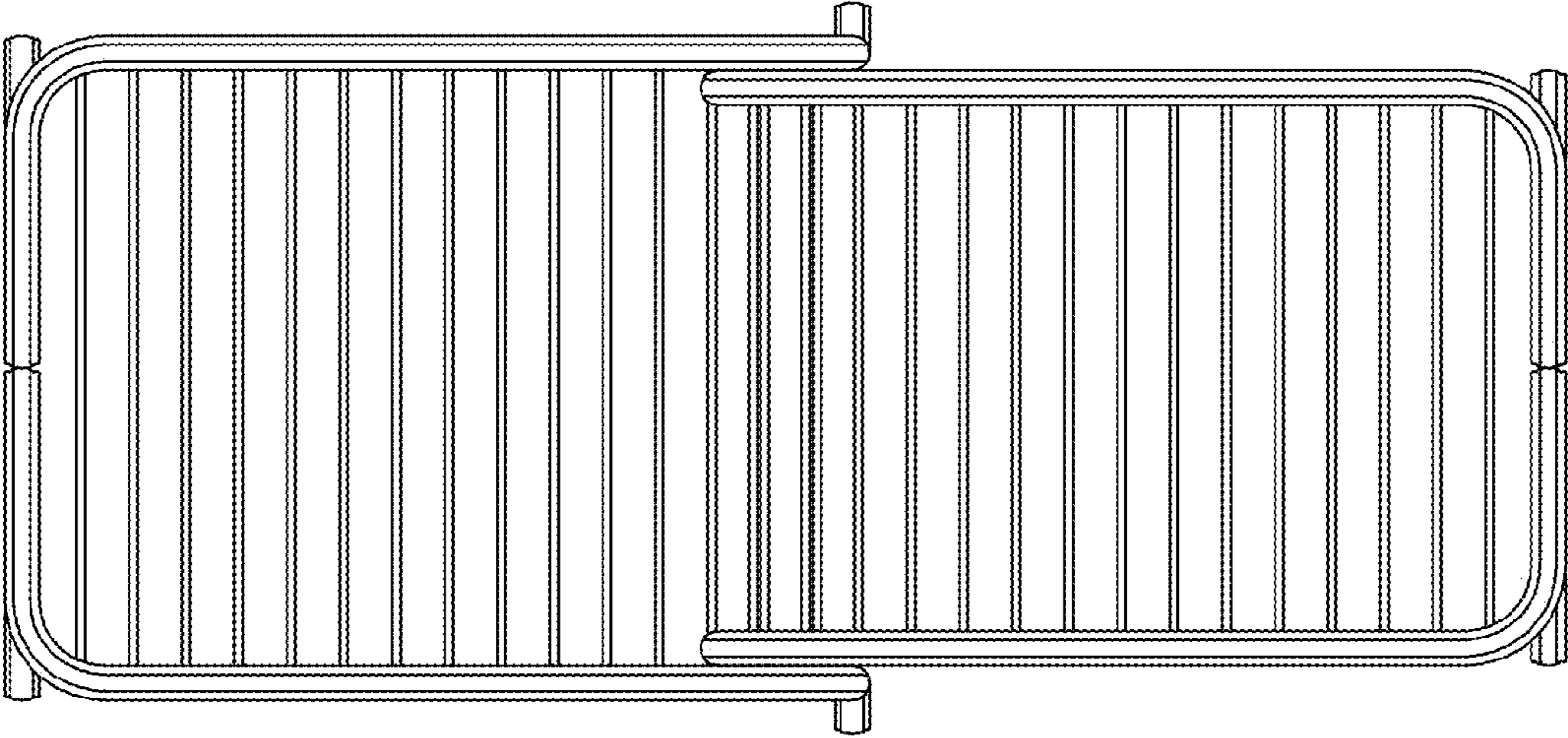


FIG. 6

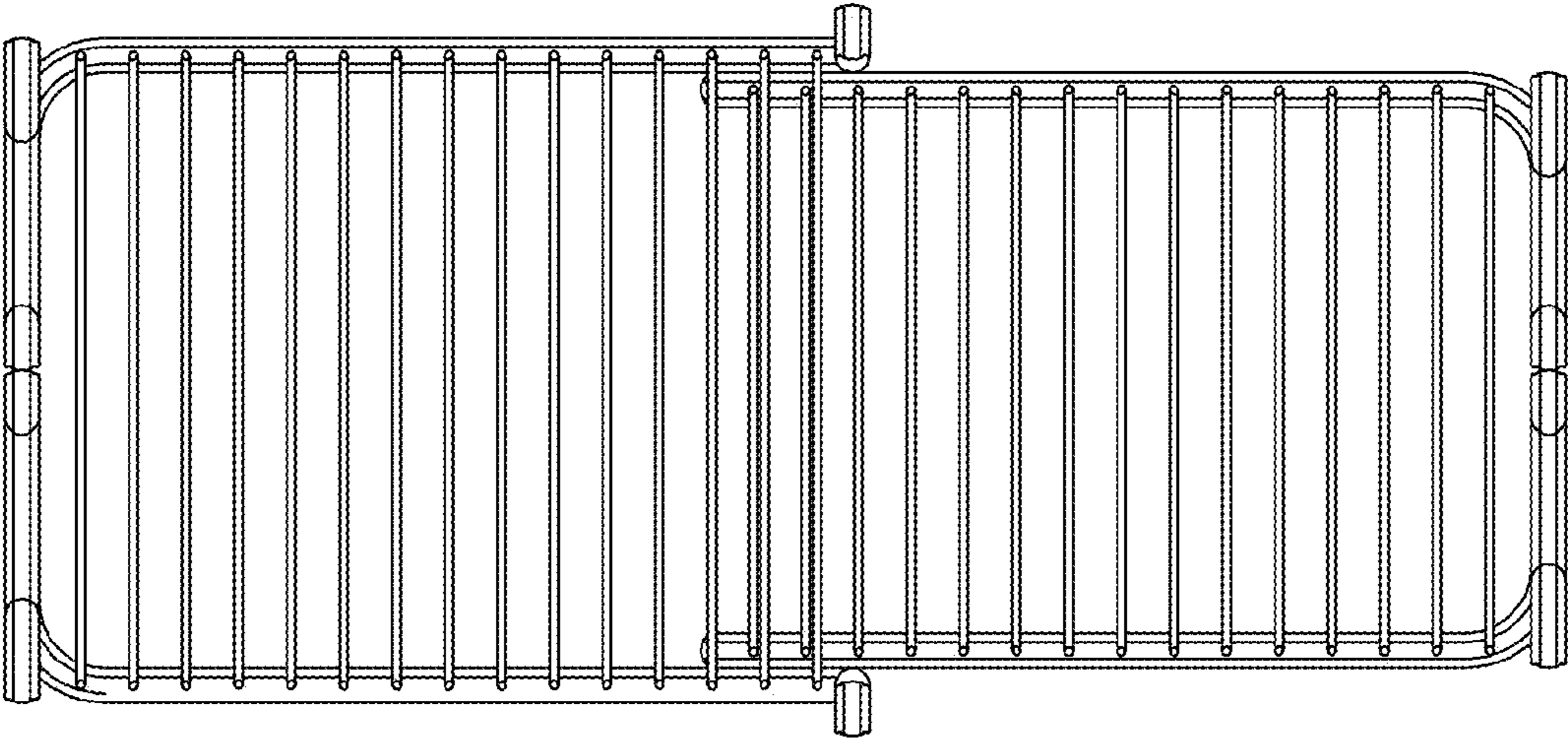


FIG. 7

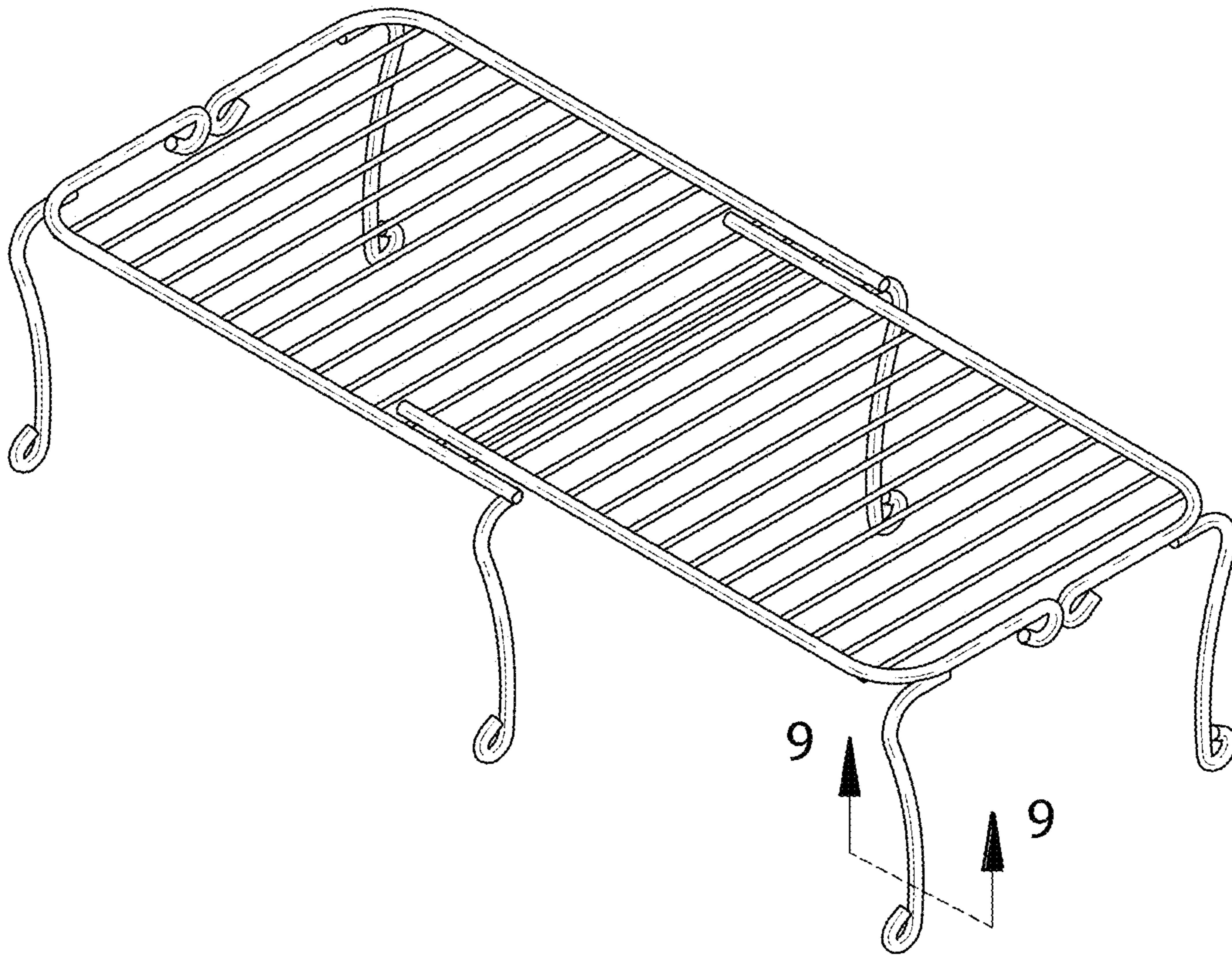


FIG. 8

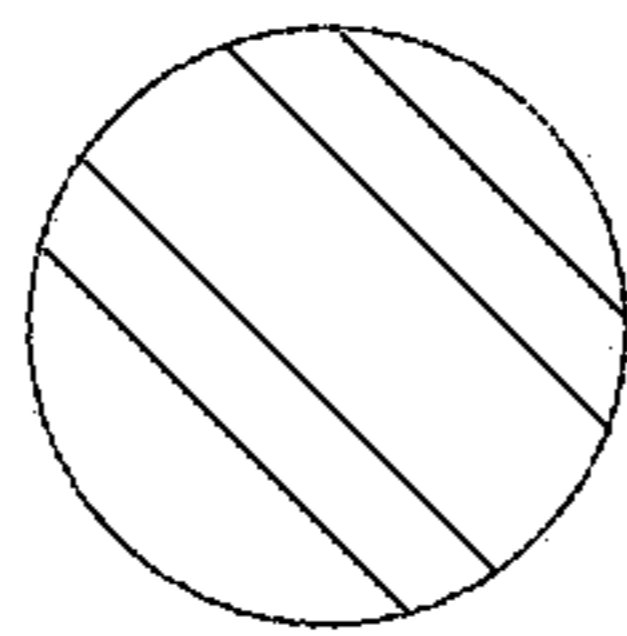


FIG. 9