



US00D730665S

(12) **United States Design Patent**  
**Murakami et al.**

(10) **Patent No.:** **US D730,665 S**

(45) **Date of Patent:** **\*\* Jun. 2, 2015**

(54) **REFRIGERATION SHOWCASE**

D662,114 S \* 6/2012 Deproost ..... D15/81  
D680,350 S \* 4/2013 Peake-Atkins et al. .... D6/662.1  
D696,879 S \* 1/2014 Roekens et al. .... D6/675.1

(71) Applicant: **Toshiba Carrier Corporation**,  
Minato-ku, Tokyo (JP)

**FOREIGN PATENT DOCUMENTS**

(72) Inventors: **Makoto Murakami**, Tokyo (JP);  
**Shunsuke Uchida**, Shizuoka (JP)

JP 1393182 7/2010  
JP 1419249 7/2011  
JP 1453664 10/2012

(73) Assignee: **Toshiba Carrier Corporation**, Tokyo  
(JP)

\* cited by examiner

(\*\*) Term: **14 Years**

*Primary Examiner* — Kelley Donnelly

(21) Appl. No.: **29/472,261**

(74) *Attorney, Agent, or Firm* — Scott A. Felder; Wiley Rein  
LLP

(22) Filed: **Nov. 11, 2013**

(57) **CLAIM**

(51) **LOC (10) Cl.** ..... **06-06**

The ornamental design for a refrigeration showcase, as shown  
and described.

(52) **U.S. Cl.**

**DESCRIPTION**

USPC ..... **D6/675.3**

(58) **Field of Classification Search**

USPC ..... D6/396–397, 432, 436, 449, 470–472,  
D6/476, 172–175, 672, 675, 675.3, 678,  
D6/678.1; D15/79, 81, 83, 84;  
62/125–126; 312/3.6, 116, 236,  
312/400–406

CPC ..... A47F 3/04; A47F 3/0439; A47F 3/08  
See application file for complete search history.

FIG. 1 is a front, right side, and top perspective view of a  
refrigeration showcase according to a first embodiment of the  
novel design.

FIG. 2 is a right side view of the refrigeration showcase  
depicted in FIG. 1; the left side view is a mirror image of the  
right side view.

FIG. 3 is a front, right side, and top perspective view of a  
refrigeration showcase according to a second embodiment of  
the novel design.

FIG. 4 is a right side view of the refrigeration showcase  
depicted in FIG. 3; the left side view is a mirror image of the  
right side view.

FIG. 5 is a front view of FIGS. 1 and 3;

FIG. 6 is a top view of FIGS. 1 and 3

FIG. 7 is a bottom view of FIGS. 1 and 3; and,

FIG. 8 is a rear view of FIGS. 1 and 3.

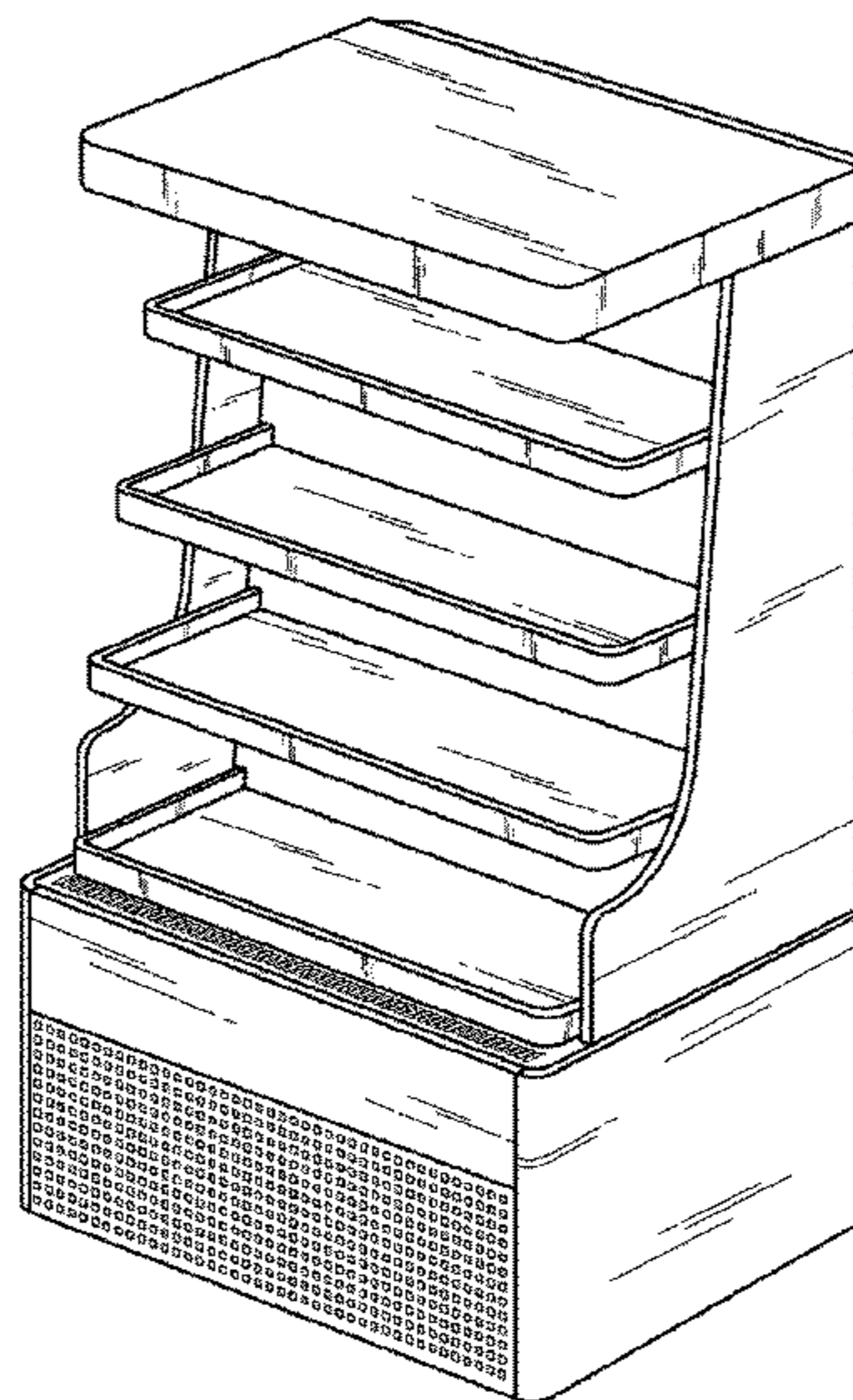
The broken lines included in the drawings depict elements  
that are not part of the claimed design.

(56) **References Cited**

**U.S. PATENT DOCUMENTS**

D243,577 S \* 3/1977 Schouten ..... D6/463  
D438,879 S \* 3/2001 Tombs ..... D15/81  
D496,053 S \* 9/2004 Wetzel ..... D15/79  
D498,616 S \* 11/2004 Hohler et al. .... D6/472  
D509,700 S \* 9/2005 Weatherby ..... D6/630  
D554,905 S \* 11/2007 Kumazawa ..... D6/470  
D585,911 S \* 2/2009 Miyabayashi et al. .... D15/79  
D589,536 S \* 3/2009 Seki ..... D15/81  
D644,039 S \* 8/2011 Naples et al. .... D6/449  
D661,922 S \* 6/2012 Mitri ..... D6/436

**1 Claim, 4 Drawing Sheets**



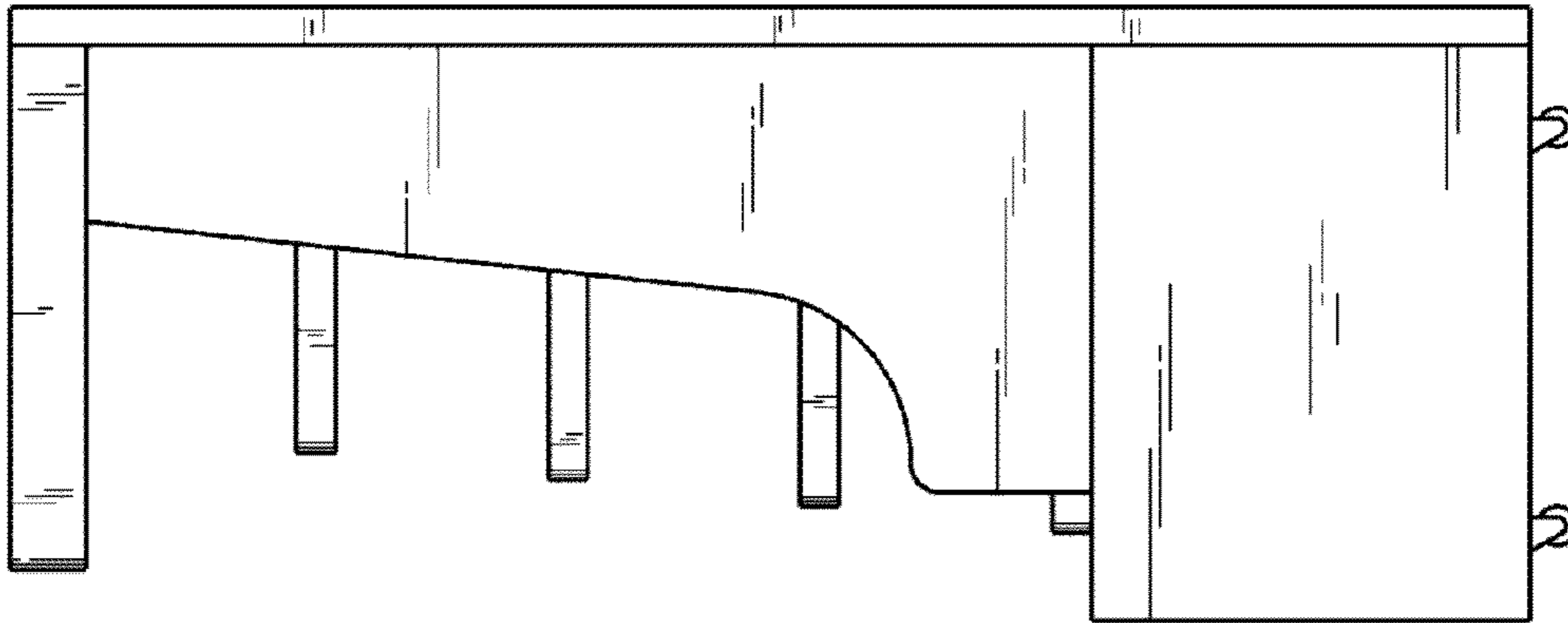


FIG. 2

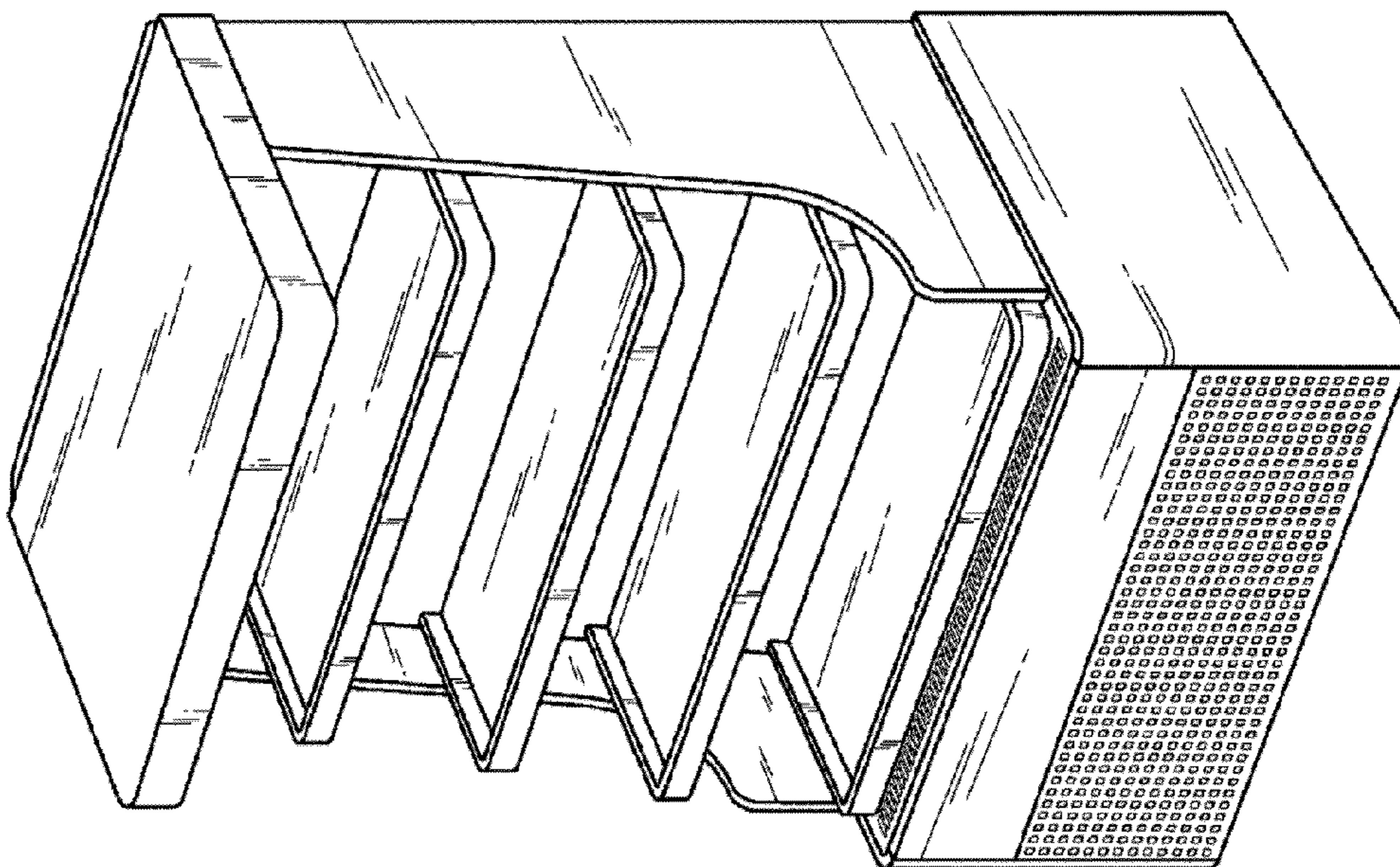


FIG. 1

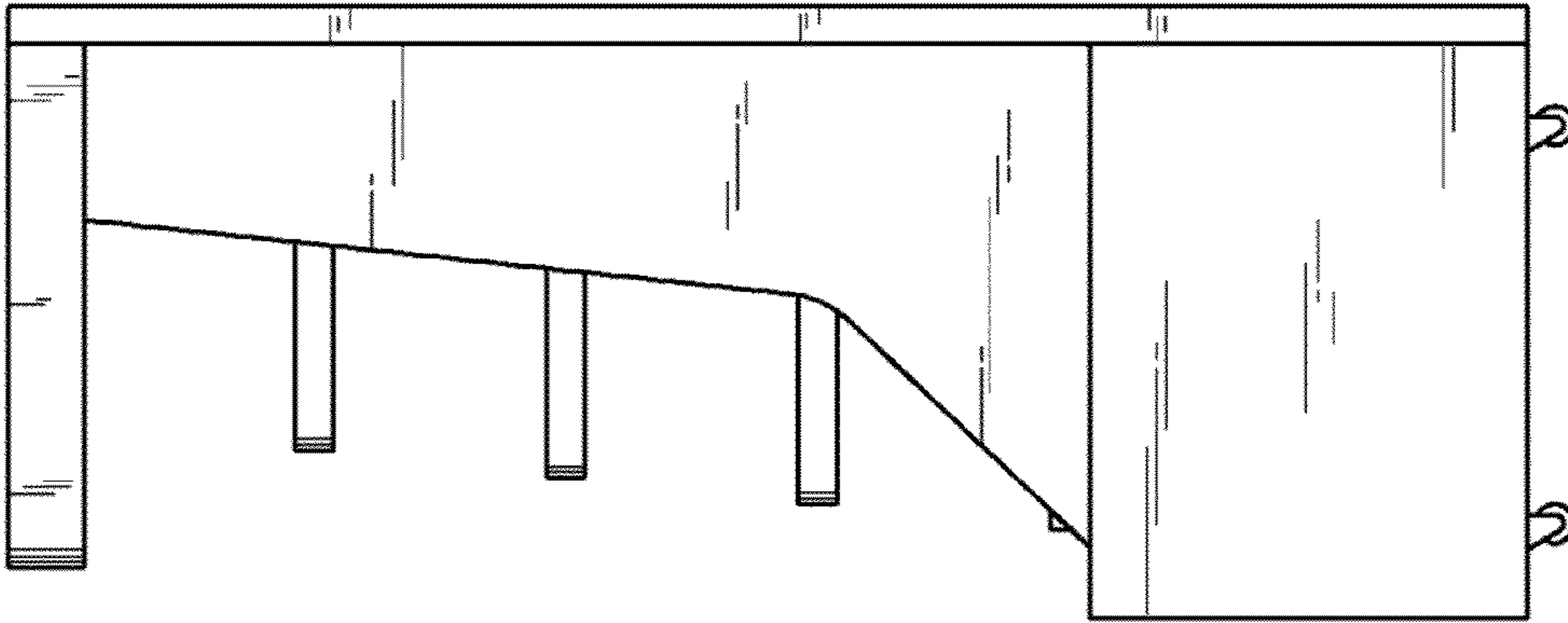


FIG. 4

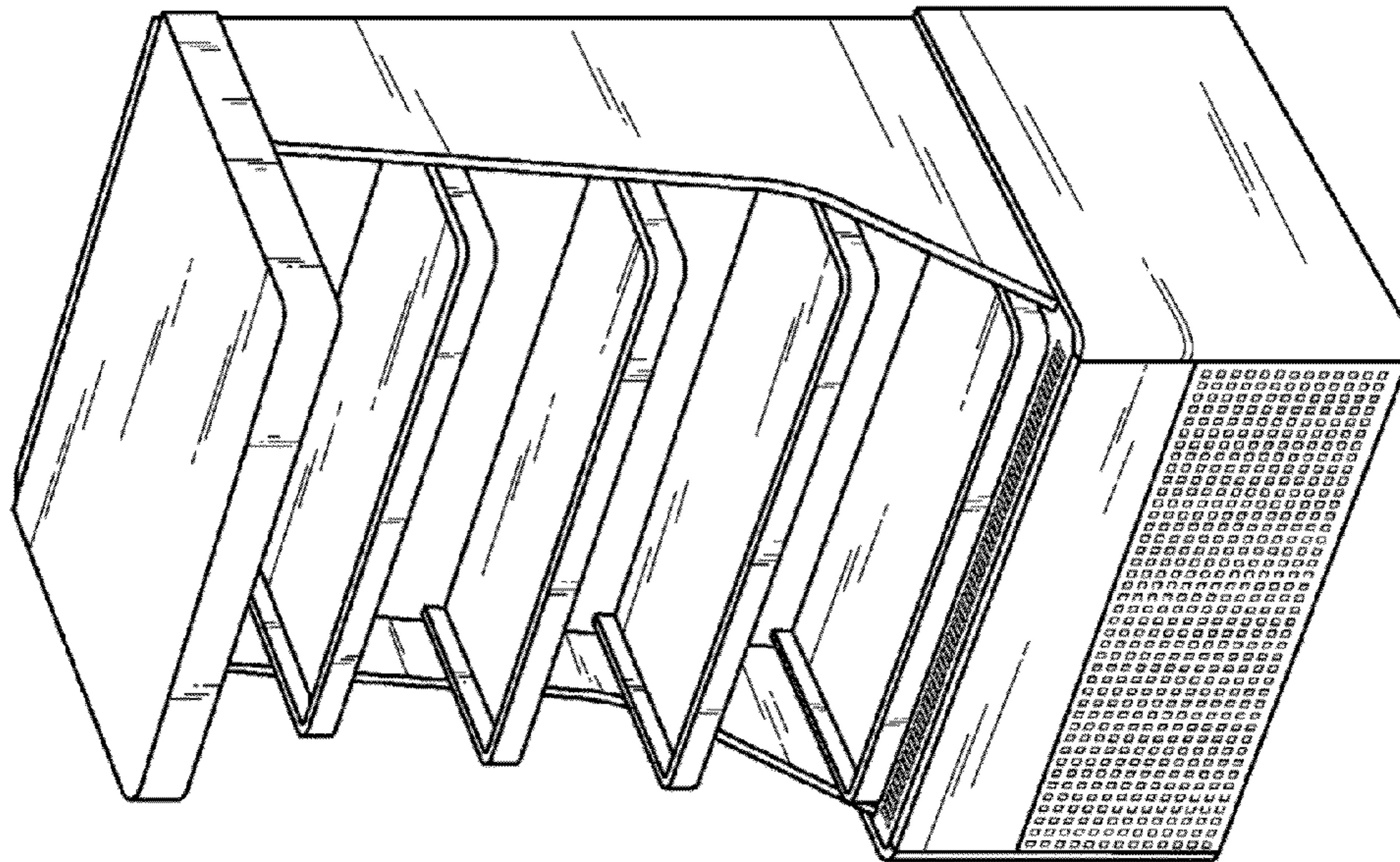


FIG. 3

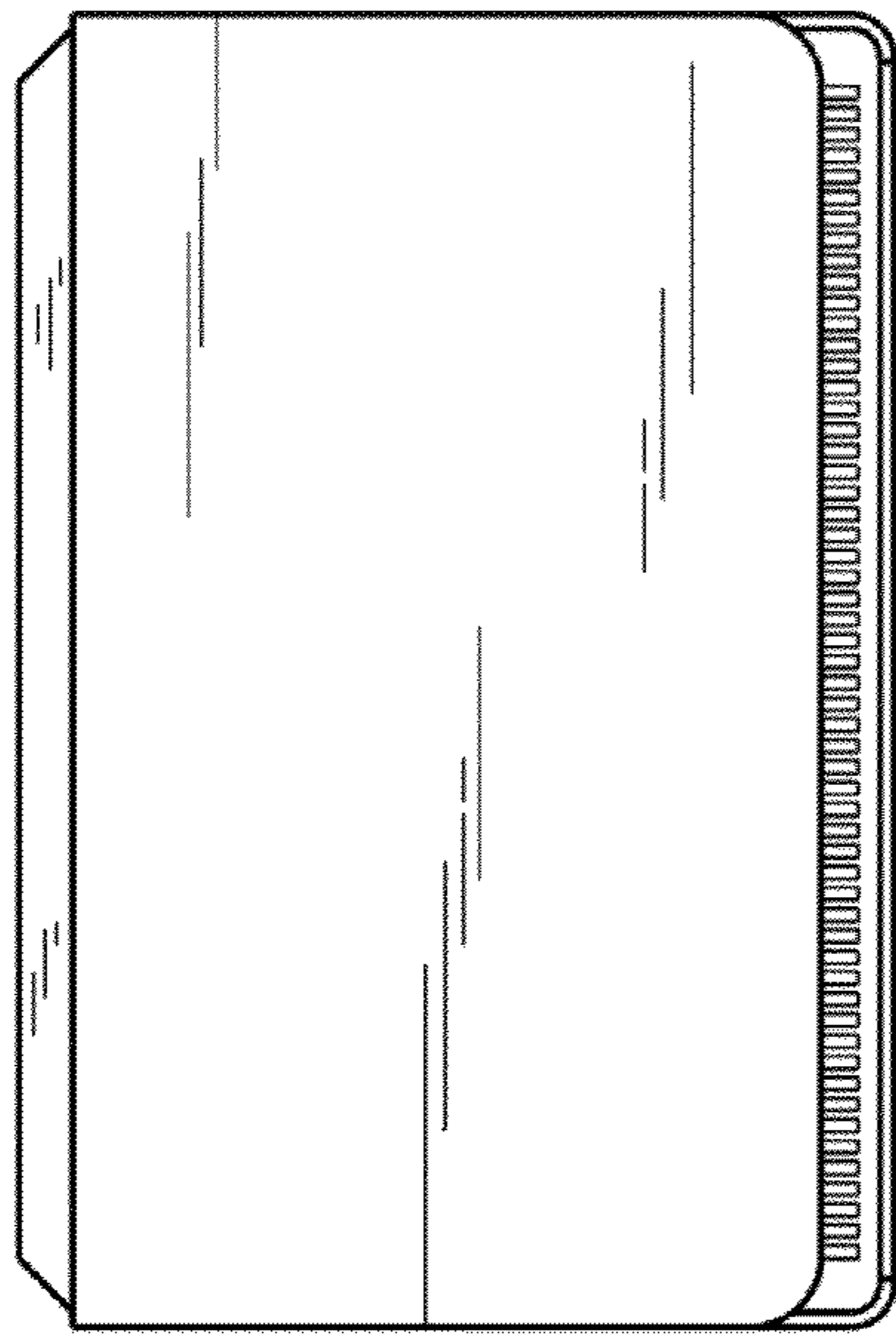


FIG. 6

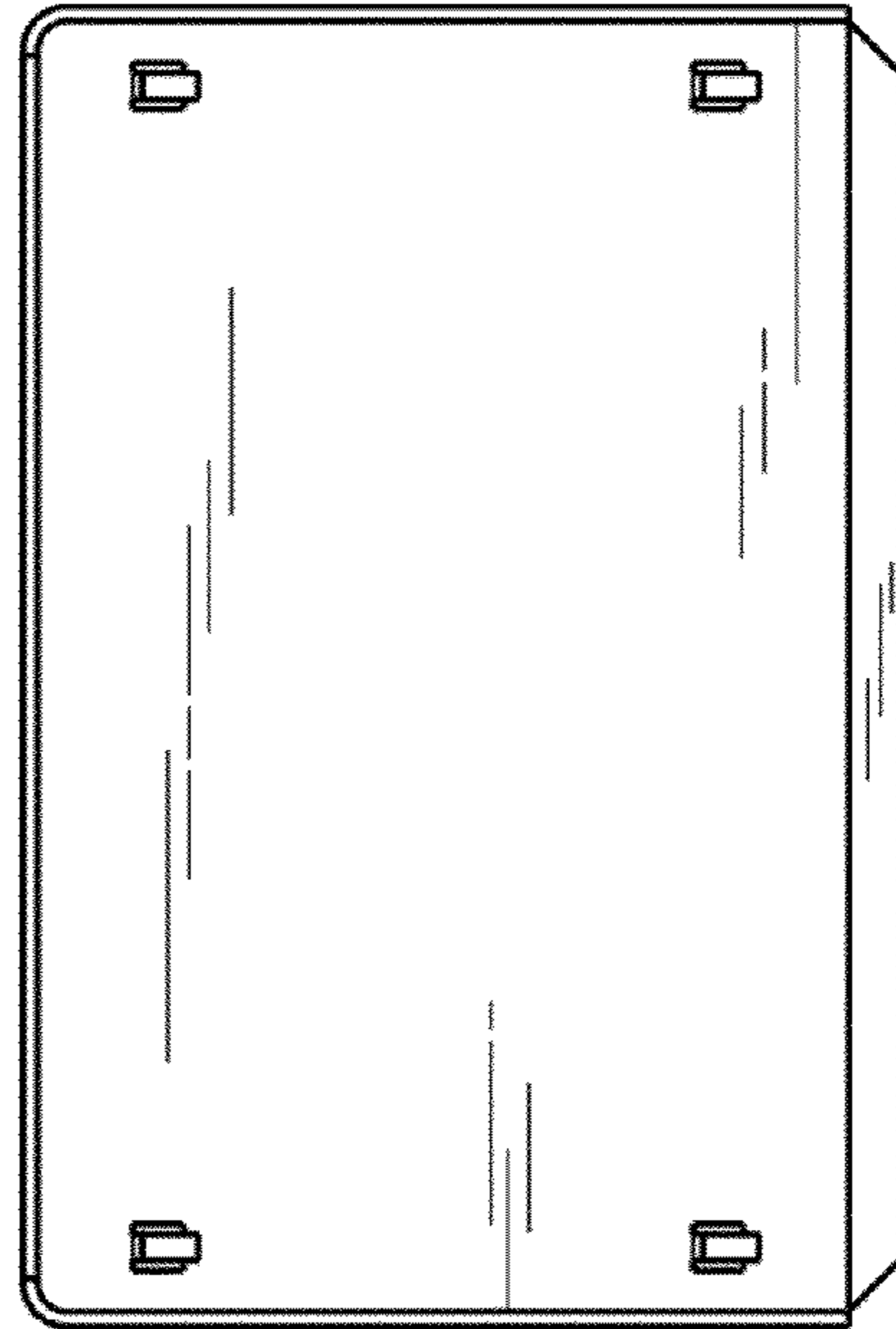


FIG. 7

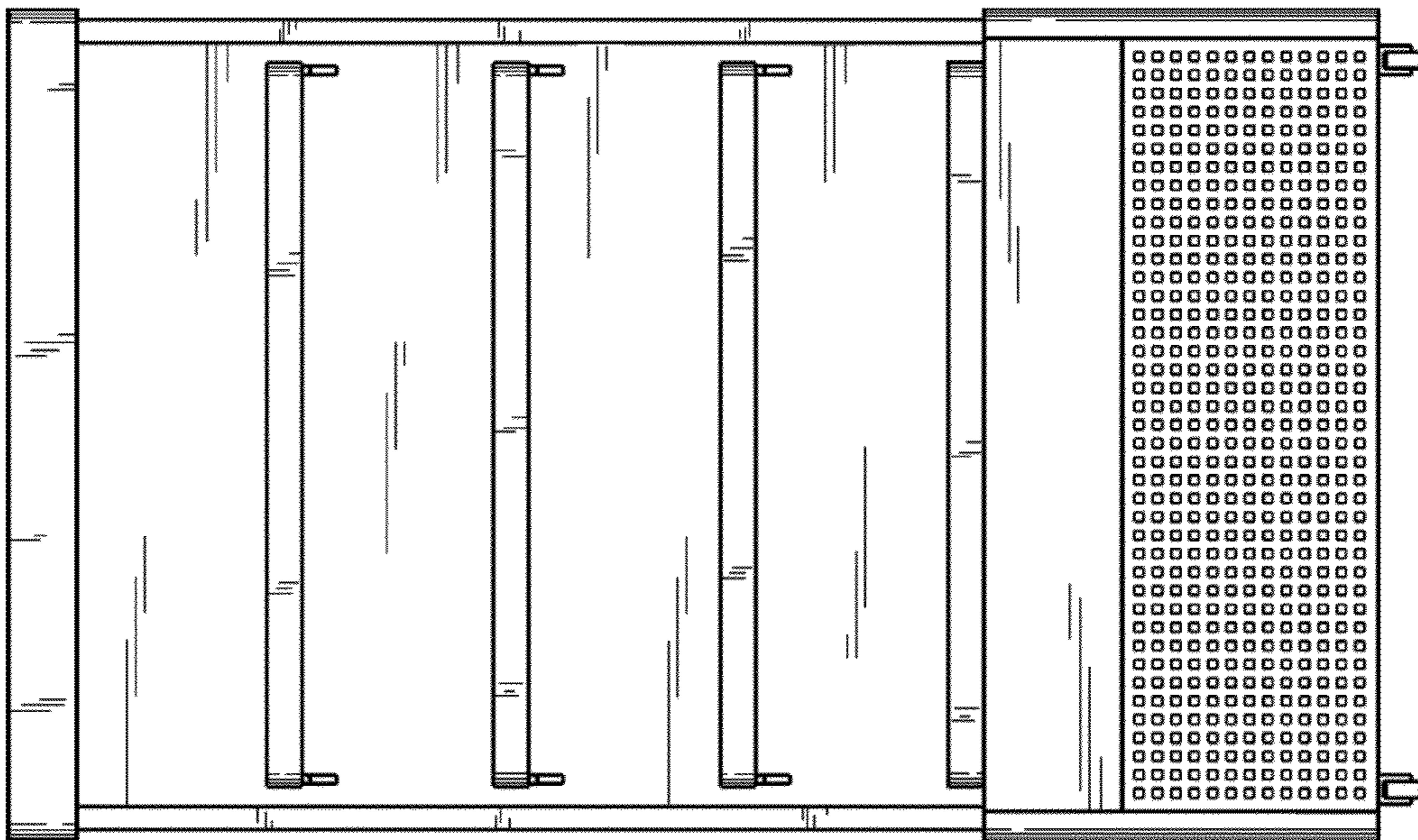


FIG. 5

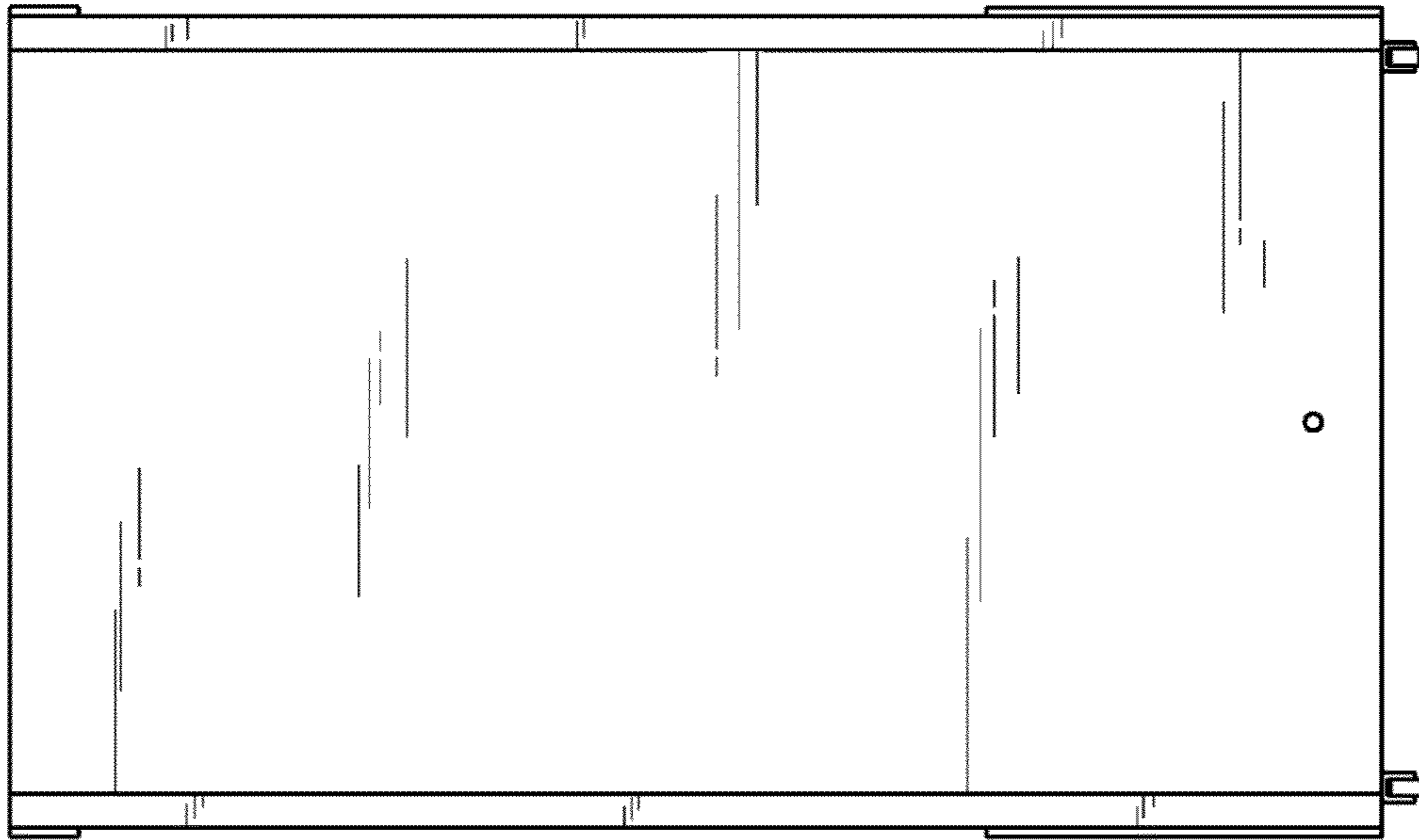


FIG. 8