



US00D730664S

(12) **United States Design Patent**
Klein et al.

(10) **Patent No.:** **US D730,664 S**
(45) **Date of Patent:** **** Jun. 2, 2015**

- (54) **STACKING SHOE RACK**
- (71) Applicant: **LYNK, INC.**, Lenexa, KS (US)
- (72) Inventors: **Richard B. Klein**, Overland Park, KS (US); **Mark A. Etter**, Independence, MO (US); **Zheng Song**, Olathe, KS (US)
- (73) Assignee: **LYNK, INC.**, Lenexa, KS (US)
- (**) Term: **14 Years**
- (21) Appl. No.: **29/501,314**
- (22) Filed: **Sep. 3, 2014**
- (51) **LOC (10) Cl.** **06-06**
- (52) **U.S. Cl.**
USPC **D6/675.1**
- (58) **Field of Classification Search**
USPC D6/409-411, 465, 477-478, 479, 630, D6/675, 675.1; 108/1, 3, 59-60, 93-94, 108/96, 147.11, 147.17, 150; 211/85.3, 34, 211/36, 42, 50, 70, 90.01, 90.04, 115, 144, 211/163; 312/9.47, 9.1, 9.54
See application file for complete search history.

(56) **References Cited**

U.S. PATENT DOCUMENTS

3,289,614	A *	12/1966	Frazier	108/91
4,343,245	A *	8/1982	Edwards	108/193
5,172,816	A *	12/1992	Kline et al.	211/37
D337,673	S *	7/1993	Goetz	D6/473
D343,536	S *	1/1994	Pesso	D6/479
5,415,297	A *	5/1995	Klein et al.	211/40
D362,138	S *	9/1995	Sagol	D6/479
D371,879	S *	7/1996	Linder	D34/21
5,617,959	A *	4/1997	Klein et al.	211/37
5,695,073	A	12/1997	Klein et al.	
D400,739	S *	11/1998	Sheng	D6/479
D403,536	S *	1/1999	Olson et al.	D6/479
5,855,279	A	1/1999	Klein et al.	
D429,095	S *	8/2000	Grosfillex	D6/479

6,123,035	A *	9/2000	Pfister	108/180
6,138,841	A *	10/2000	Klein et al.	211/85.7
6,155,435	A *	12/2000	Malik	211/41.12
D439,769	S *	4/2001	Prince et al.	D6/479
D454,737	S *	3/2002	Carrabba	D6/511
D457,353	S	5/2002	Klein et al.	
D458,772	S *	6/2002	Klein et al.	D6/462
D463,182	S	9/2002	Klein et al.	
D467,446	S *	12/2002	Brass et al.	D6/407

(Continued)

OTHER PUBLICATIONS

U.S. Appl. No. 29/501,303, filed Sep. 3, 2014, Klein et al.
(Continued)

Primary Examiner — Kelley Donnelly

(74) *Attorney, Agent, or Firm* — Stinson Leonard Street LLP

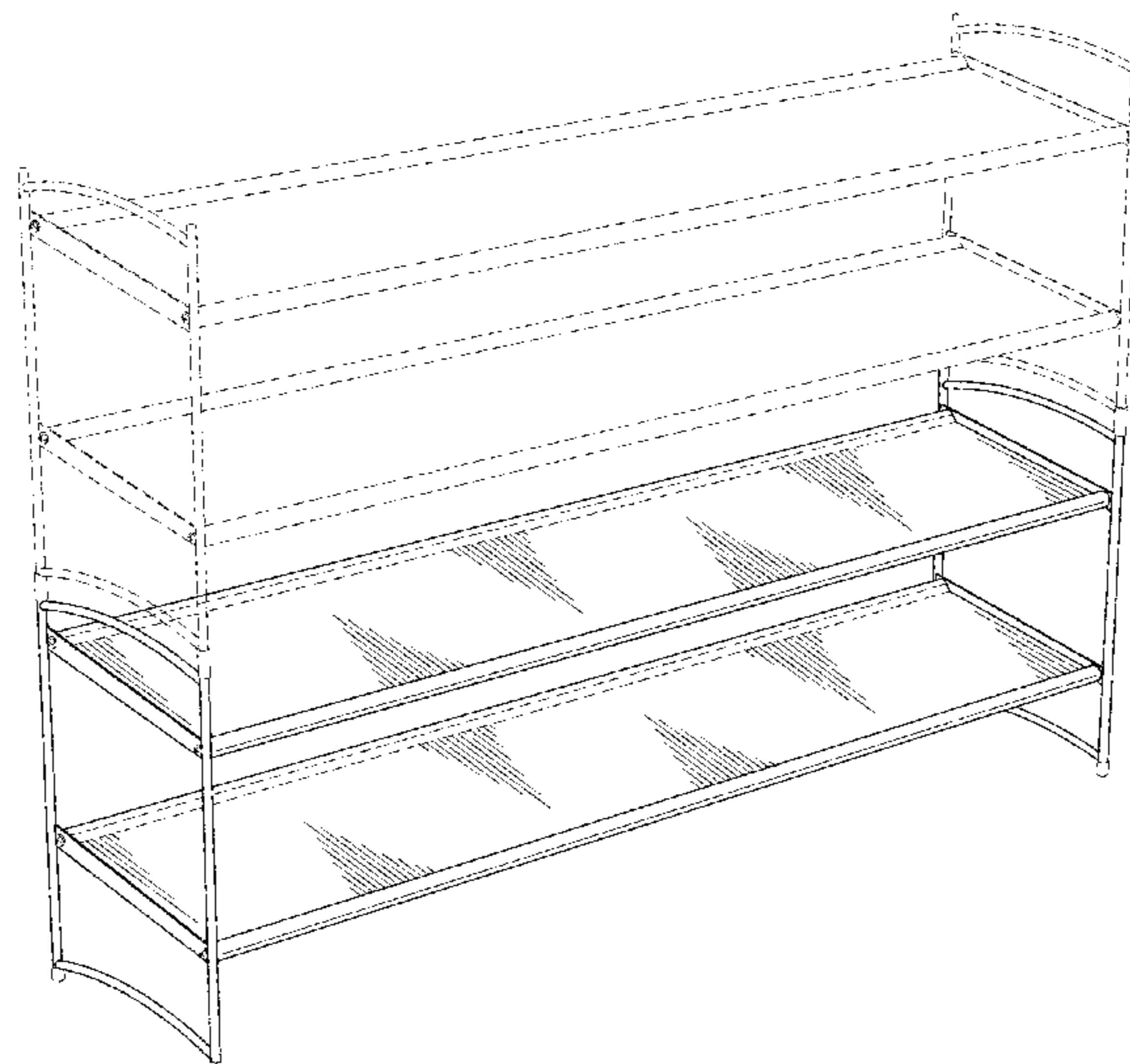
(57) **CLAIM**

The ornamental design for a stacking shoe rack, as shown and described.

DESCRIPTION

FIG. 1 is a front perspective view of the stacking shoe rack; FIG. 2 is a top plan view of the stacking shoe rack of FIG. 1; FIG. 3 is a bottom plan view of the stacking shoe rack of FIG. 1; FIG. 4 is a front elevational view of the stacking shoe rack of FIG. 1; FIG. 5 is a rear elevational view of the stacking shoe rack of FIG. 1; FIG. 6 is left elevational view of the stacking shoe rack of FIG. 1; and, FIG. 7 is a right elevational view of the stacking shoe rack of FIG. 1. The broken lines showing features and stitching is included for the purpose of illustrating environment of the design and forms no part of the claimed design.

1 Claim, 5 Drawing Sheets



(56)

References Cited

U.S. PATENT DOCUMENTS

6,533,127	B1	3/2003	Klein et al.	
D476,167	S	6/2003	Klein et al.	
D477,160	S *	7/2003	Grosfillex	D6/479
6,637,603	B2	10/2003	Klein et al.	
D488,003	S *	4/2004	Malik	D6/465
6,726,038	B2 *	4/2004	Ko	211/153
D493,048	S *	7/2004	Moon et al.	D6/479
D493,289	S	7/2004	Klein et al.	
D496,545	S *	9/2004	McDiarmid	D6/479
6,786,337	B2 *	9/2004	Klein et al.	211/34
6,793,080	B2	9/2004	Klein et al.	
D501,338	S *	2/2005	Deasy et al.	D6/479
6,877,615	B2	4/2005	Klein et al.	
D507,137	S	7/2005	Klein et al.	
6,926,157	B2	8/2005	Klein et al.	
7,000,787	B2 *	2/2006	Felsenthal	211/175
7,025,214	B2 *	4/2006	Klein et al.	211/35
RE39,638	E	5/2007	Klein et al.	
7,249,679	B2 *	7/2007	Klein	211/37
D587,490	S *	3/2009	Siegel	D6/459
D598,218	S *	8/2009	Siegel	D6/459
D602,715	S	10/2009	Klein et al.	
D602,716	S	10/2009	Klein et al.	
D663,551	S *	7/2012	Zambelli et al.	D6/477
D713,178	S *	9/2014	Cohen	D6/675.1
D715,073	S *	10/2014	Simonetti	D6/574

OTHER PUBLICATIONS

U.S. Appl. No. 29/483,751, filed Mar. 3, 2014, Klein et al.

Website Advertisement, Target, “Threshold 5 Tier OTD Shoe Rack”, downloaded from the internet on Nov. 8, 2013 at www.target.com/p/threshold-5-tier-otd-shoe-rack/-/A-14450953#prodSlot=dlp_medium_1_15&term=fabric+shoe+rack (1 pg) to applicant’s knowledge, product was on sale more than one year prior to the effective filing date of this application.

Website Advertisement, neatfreak!, “21 Pair Over The Door (OTD) Shoe Organizer”, downloaded from the internet on Nov. 8, 2013 at www.neatfreak.com/index/php/site/products/closetmax_21_pair_shoe_organizer (1 pg) To applicant’s knowledge, product was on sale more than one year prior to the effective filing date of this application.

Amazon Website Advertisement, Lynk, “Lynk 4-Shelf Organizer”, downloaded from the internet on Nov. 8, 2013 at www.amazon.com/Lynk-640200-4-Shelf-Organizer/dp/B00AYROSSM (1 pg) To applicant’s knowledge, product was on sale more than one year prior to the effective filing date of this application.

Website Advertisement, The Container Store, “Bronze Carrie Stacking Shoe Shelf by Umbra”, downloaded from the internet on Nov. 8, 2013 at [www.containerstore.com/shop?productID=10035601&N- &Ntt-umber+shoe+shelf](http://www.containerstore.com/shop?productID=10035601&N-&Ntt-umber+shoe+shelf) (1 pg) To applicant’s knowledge, product was on sale more than one year prior to the effective filing date of this application.

Website Advertisement, Bed Bath & Beyond, “6—Tier Storage Shoe Rack”, downloaded from the internet on Nov. 8, 2013 at www.bedbathandbeyond.com/store/product/6-Tier-Storage-shoe-Rack/1040924755?Keyword=fabric+shelf (1 pg) to applicant’s knowledge, product was on sale more than one year prior to the effective filing date of this application.

Amazon Website Advertisement, Whitmore, “Whitmor 6779-4464 Closet Organizer Collection 3 Tier Shelves with 2 Collapsible Drawers”, downloaded from the internet on Nov. 8, 2013 at www.amazon.com/Whitmor-6779-4664-Organizer-Collection-Collapsible/dp/B009KB7Z51/ref=sr_1_38?ie=UTF8&qid=1383932890&sr=8-38&keywords=fabric+shelf (1 pg) To applicant’s knowledge, product was on sale more than one year prior to the effective filing date of this application.

Amazon Website Advertisement, Whitmore, “Whitmor Storage Rack 4 Tier Wood w/Fabric Shelves—Espresso/6026-4463-ESPR/”, downloaded from the internet on Nov. 8, 2013 at www.amazon.com/WHITMORE-Storage-Rack-Fabric-Shelves/dp/B00G6MX608/ref-sr_1_43?ie=UTF8&qid=1383932937&sr=8-43&keywords=fabric+shelf (1 pg) to applicant’s knowledge, product was on sale more than one year prior to the effective filing date of this application.

Amazon Website Advertisement, Whitmore, “Whitmor 6170-4297 Spacemaker Garment Rack and Shelves”, downloaded from the internet on Nov. 8, 2013 at www.amazon.com/neatfreak-U7955-E-Fashion-Tier-Shelf/dp/B004KHOQHW/ref-sr_1_239?ie=UTF8&qid=1383933165&sr=8-239&keywords=fabric+shelf (1 pg) To applicant’s knowledge, product was on sale more than one year prior to the effective filing date of this application.

Amazon Website Advertisement, neatfreak, “neatfreak U7955-E Fashion 4 Tier Shoe Shelf”, downloaded from the internet on Nov. 8, 2013 at www.amazon.com/Lynk-640200-4-Shelf-Organizer/dp/B00AYROSSM (1 pg) To applicant’s knowledge, product was on sale more than one year prior to the effective filing date of this application.

Website Advertisement, neatfreak!, “4 Tier Fashion Shoe Shelf”, downloaded from the internet on Nov. 8, 2013 at www.neatfreak.com/index/php/site/products/4_tier_fashion_shoe_shelf (1 pg) to applicant’s knowledge, product was on sale more than one year prior to the effective filing date of this application.

Website Advertisement, Richards Homewares, downloaded from the internet on Nov. 8, 2013 at www.richardshomewares.com (1 pg) To applicant’s knowledge, product was on sale more than one year prior to the effective filing date of this application.

Website Advertisement, neatfreak!, “2 Tier Oval Multi Rack—tools”, downloaded from the internet on Nov. 8, 2013 at www.neatfreak.com/index/php/site/products/2_tier_oval_multi_rack_-_tools (1 pg) To applicant’s knowledge, product was on sale more than one year prior to the effective filing date of this application.

Website Advertisement, neatfreak!, “4 Tier Oval Sling Shoe Rack—u clip”, downloaded from the internet on Nov. 8, 2013 at www.neatfreak.com/index/php/site/products/4_tier_oval_sling_shoe_rack_-_u_clip (1 pg) To applicant’s knowledge, product was on sale more than one year prior to the effective filing date of this application.

* cited by examiner

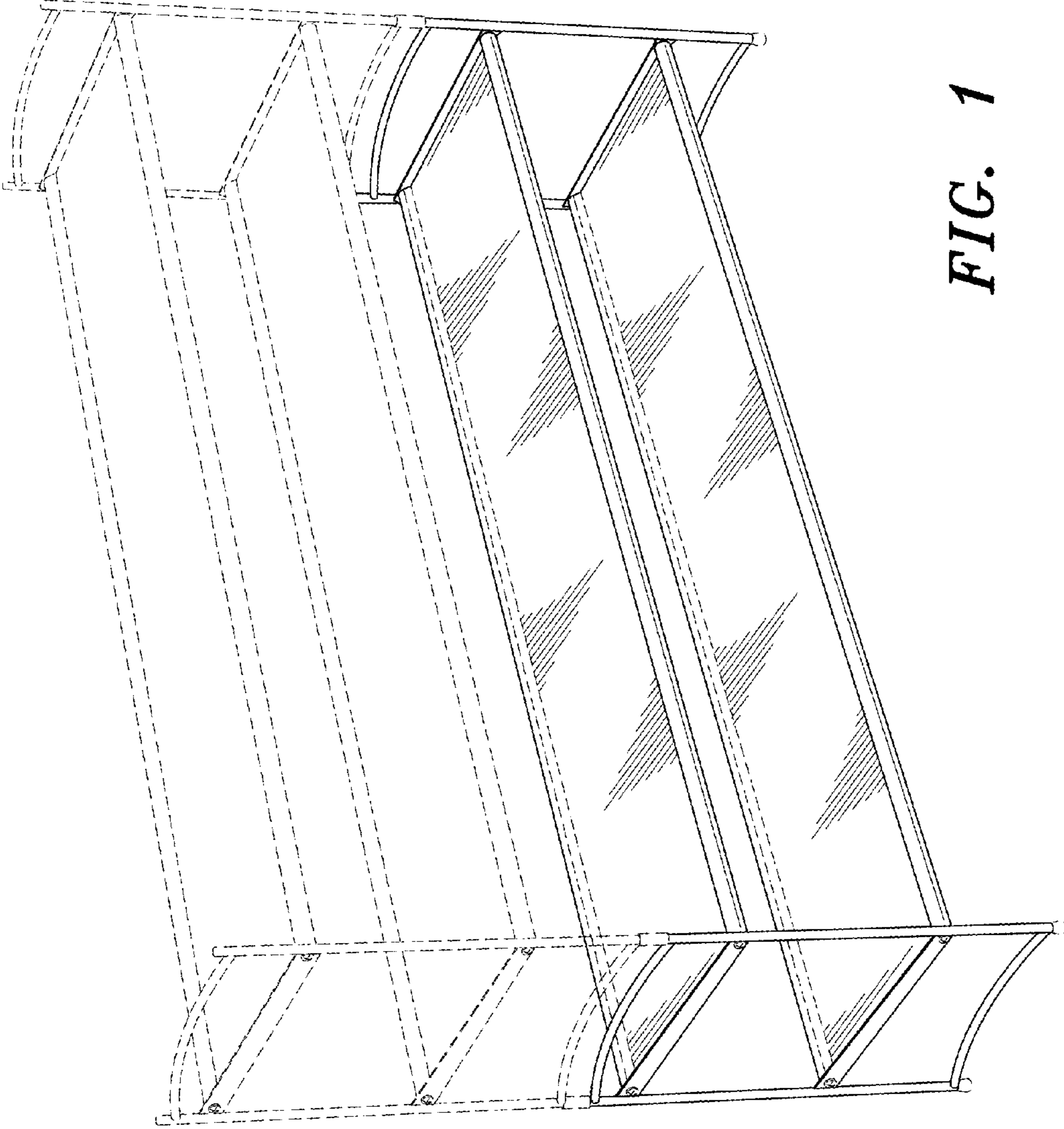


FIG. 1

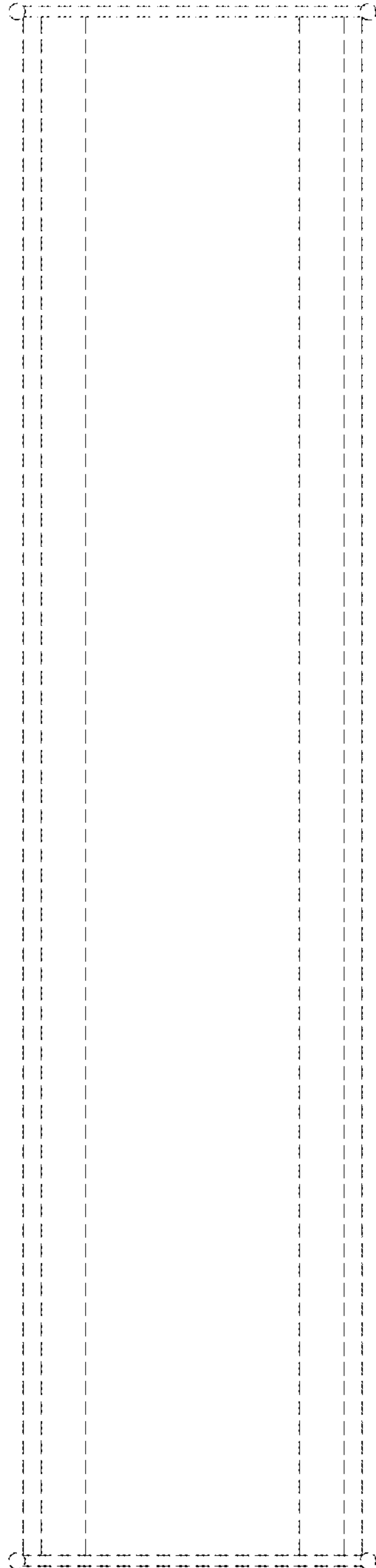


FIG. 2

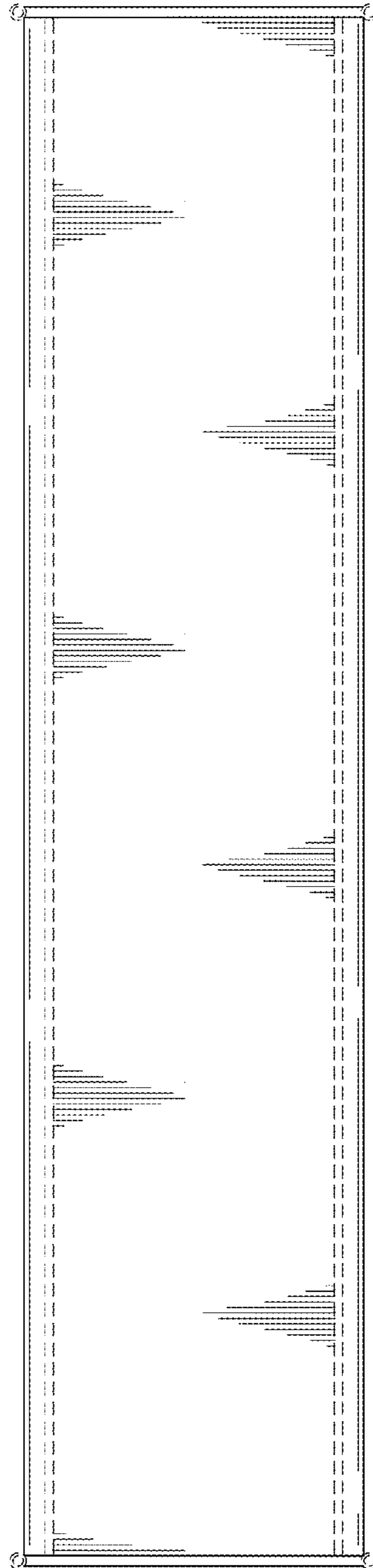


FIG. 3

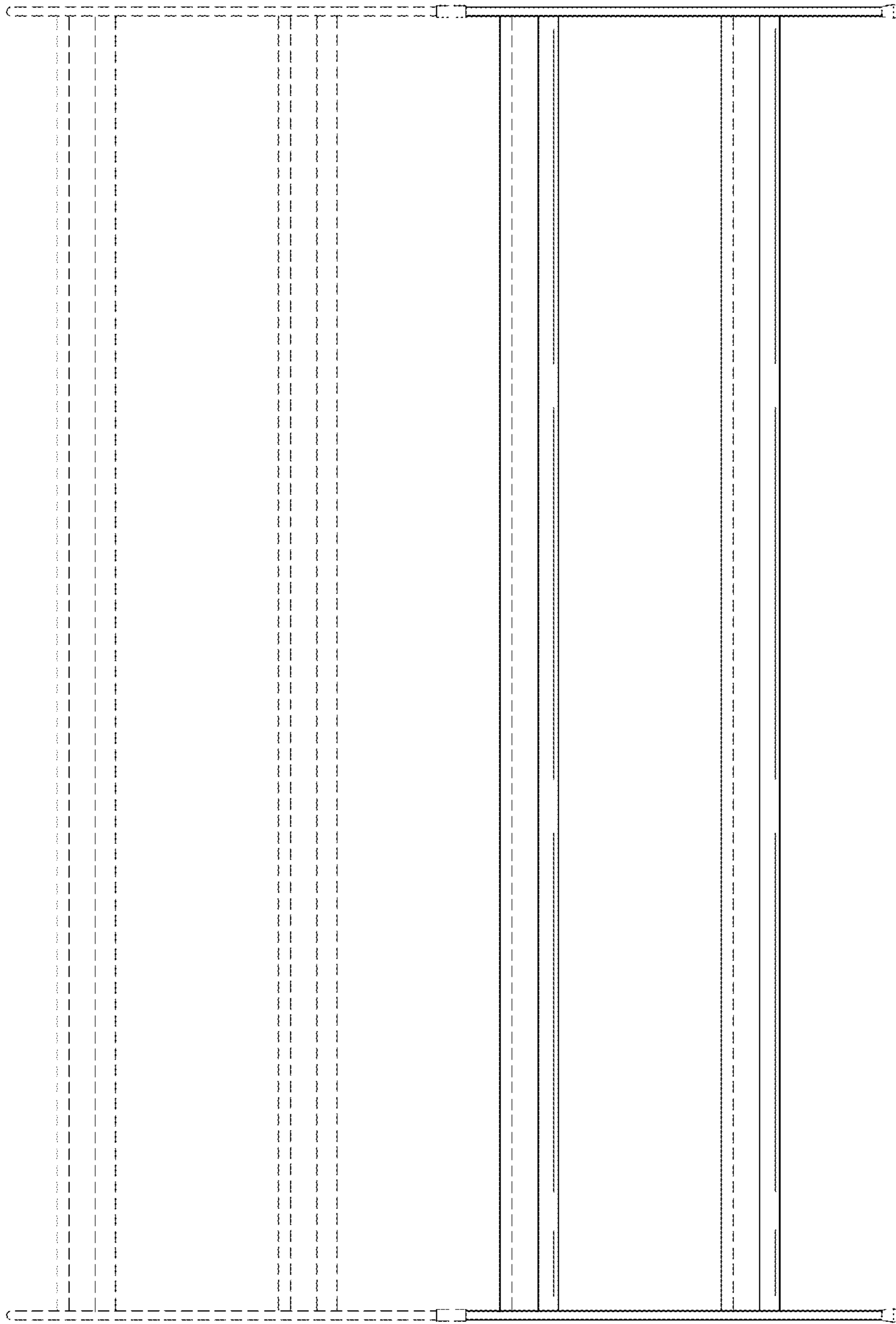


FIG. 4

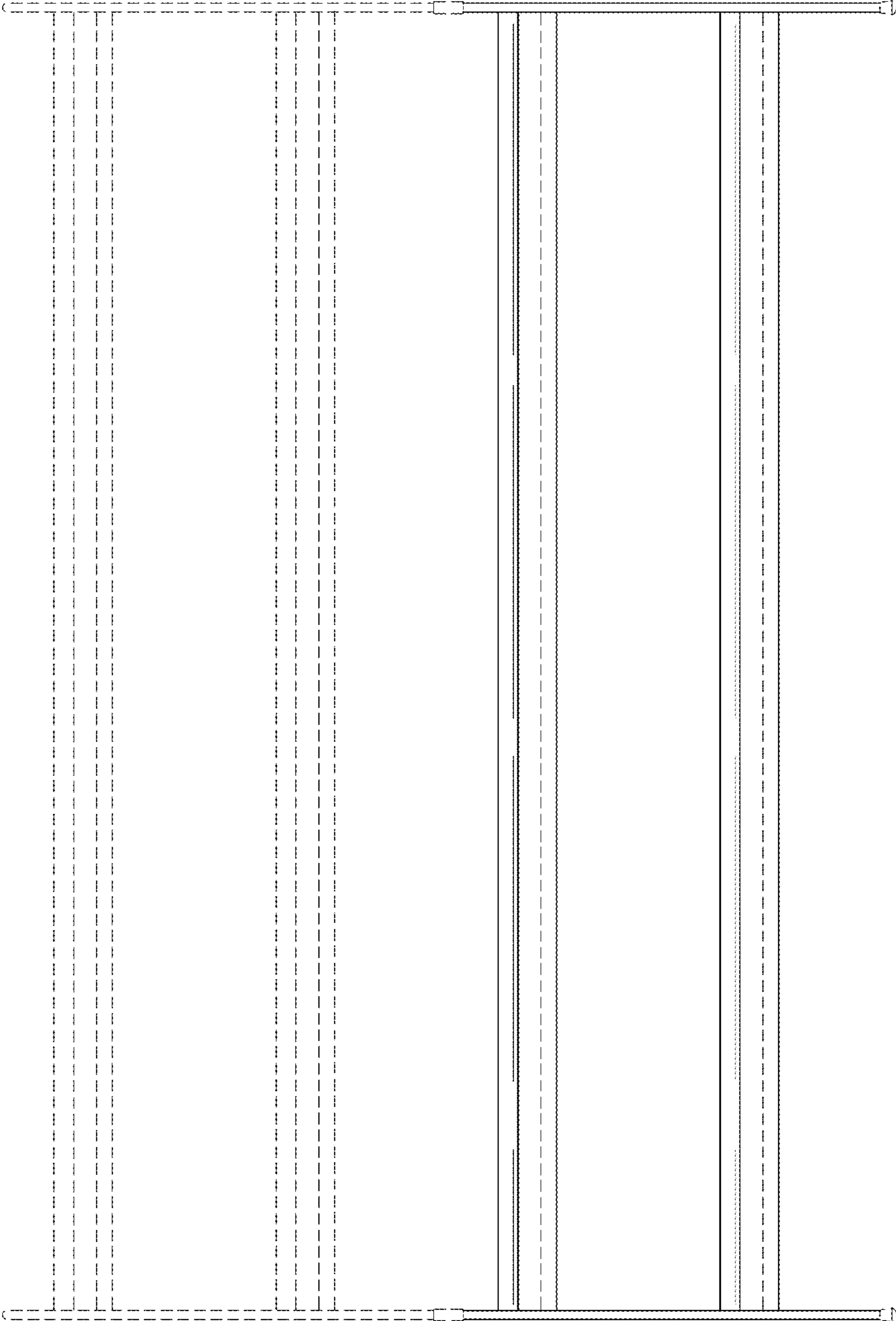


FIG. 5

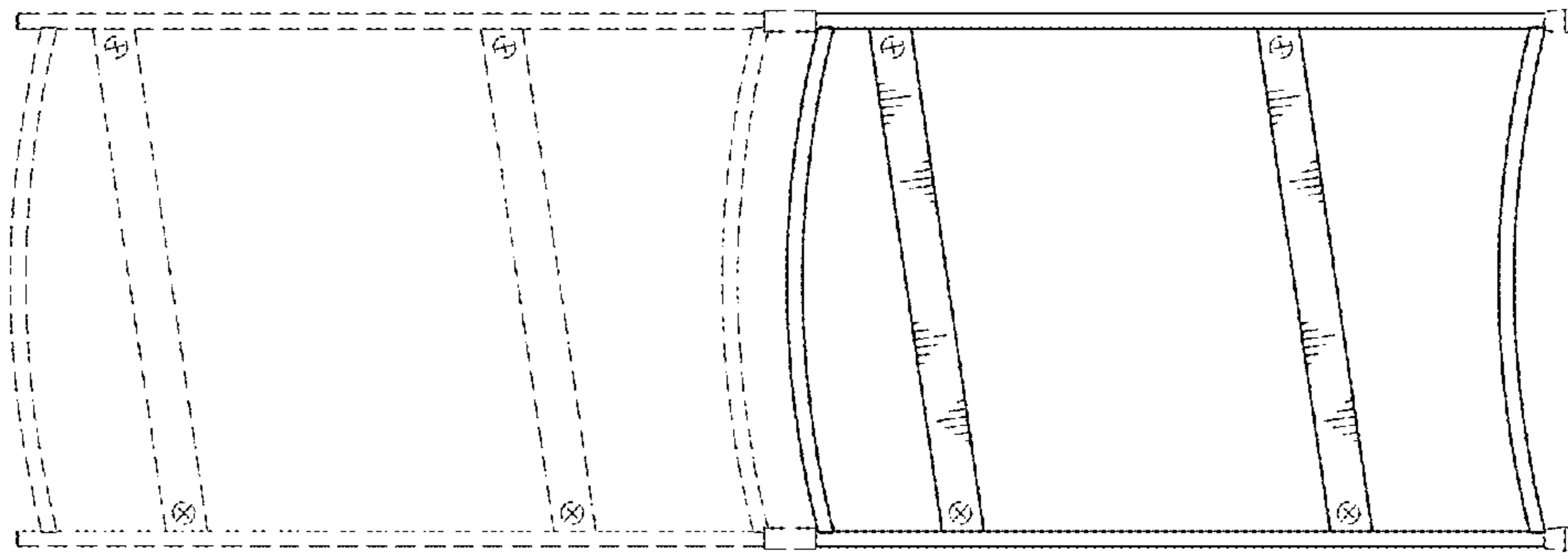


FIG. 7

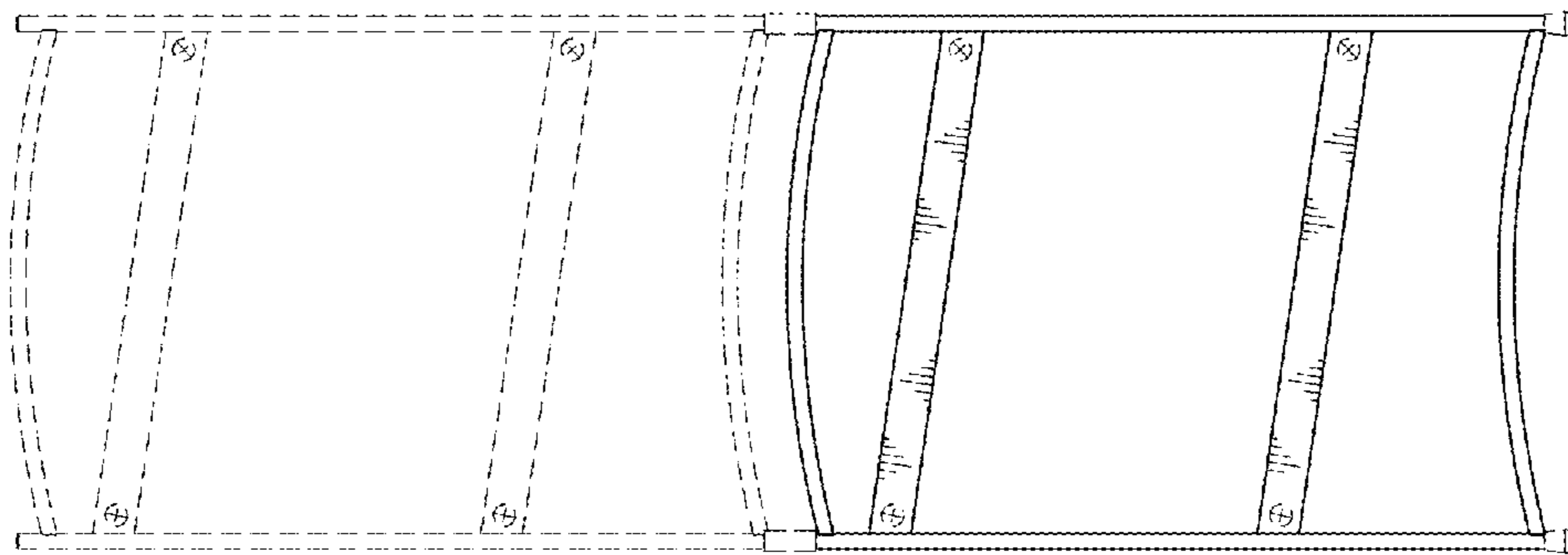


FIG. 6