



US00D730663S

(12) **United States Design Patent**
Logan et al.

(10) **Patent No.:** **US D730,663 S**
(45) **Date of Patent:** **** Jun. 2, 2015**

- (54) **RETAIL DISPLAY FIXTURE**
- (71) Applicant: **TARGET BRANDS, INC.**,
Minneapolis, MN (US)
- (72) Inventors: **Robert G. Logan**, Blaine, MN (US);
Jeremy A. Clark, Minneapolis, MN
(US); **David H. Cheney**, Shoreview, MN
(US); **Paul A. Schlough**, Andover, MN
(US); **Jason L. Dusbabek**, Elk River,
MN (US)
- (73) Assignee: **Target Brands, Inc.**, Minneapolis, MN
(US)
- (**) Term: **14 Years**
- (21) Appl. No.: **29/493,235**
- (22) Filed: **Jun. 6, 2014**

3,154,870 A	11/1964	Hopp et al.	
3,601,256 A *	8/1971	Bowers et al.	108/108
3,778,915 A	12/1973	Freeman et al.	
D243,891 S *	4/1977	Snyder	D6/431
4,191,298 A	3/1980	Broudy	
4,237,636 A	12/1980	Matthews	
4,258,494 A	3/1981	Borque	
4,408,407 A	10/1983	Bloom et al.	
4,526,110 A *	7/1985	Franz	108/108
4,742,633 A	5/1988	Snediker	
4,785,946 A *	11/1988	Sorensen	211/187
4,790,091 A	12/1988	Hull	
4,854,533 A	8/1989	Sainato	
4,887,783 A *	12/1989	Franklin	248/220.41

(Continued)

Primary Examiner — Kelley Donnelly

(74) *Attorney, Agent, or Firm* — JoAnn M. Seaton; Griffiths & Seaton PLLC

(57) **CLAIM**

The ornamental design for a retail display fixture, as shown and described.

DESCRIPTION

FIG. 1 is a front, perspective view of a retail display fixture showing a first embodiment of our new design;
FIG. 2 is a front view thereof;
FIG. 3 is a right side view thereof;
FIG. 4 is a left side view thereof; and
FIG. 5 is a top view thereof.

FIG. 6 is a front, perspective view of a retail display fixture showing a second embodiment of our new design;
FIG. 7 is a front view thereof;
FIG. 8 is a right side view thereof;
FIG. 9 is a left side view thereof; and,
FIG. 10 is a top view thereof.

The features shown in broken lines are portions of the retail display fixture or environmental subject matter to the retail display fixture forming no part of the claimed design. The rear and bottom views are omitted as none of the surfaces visible in those views are claimed.

1 Claim, 6 Drawing Sheets

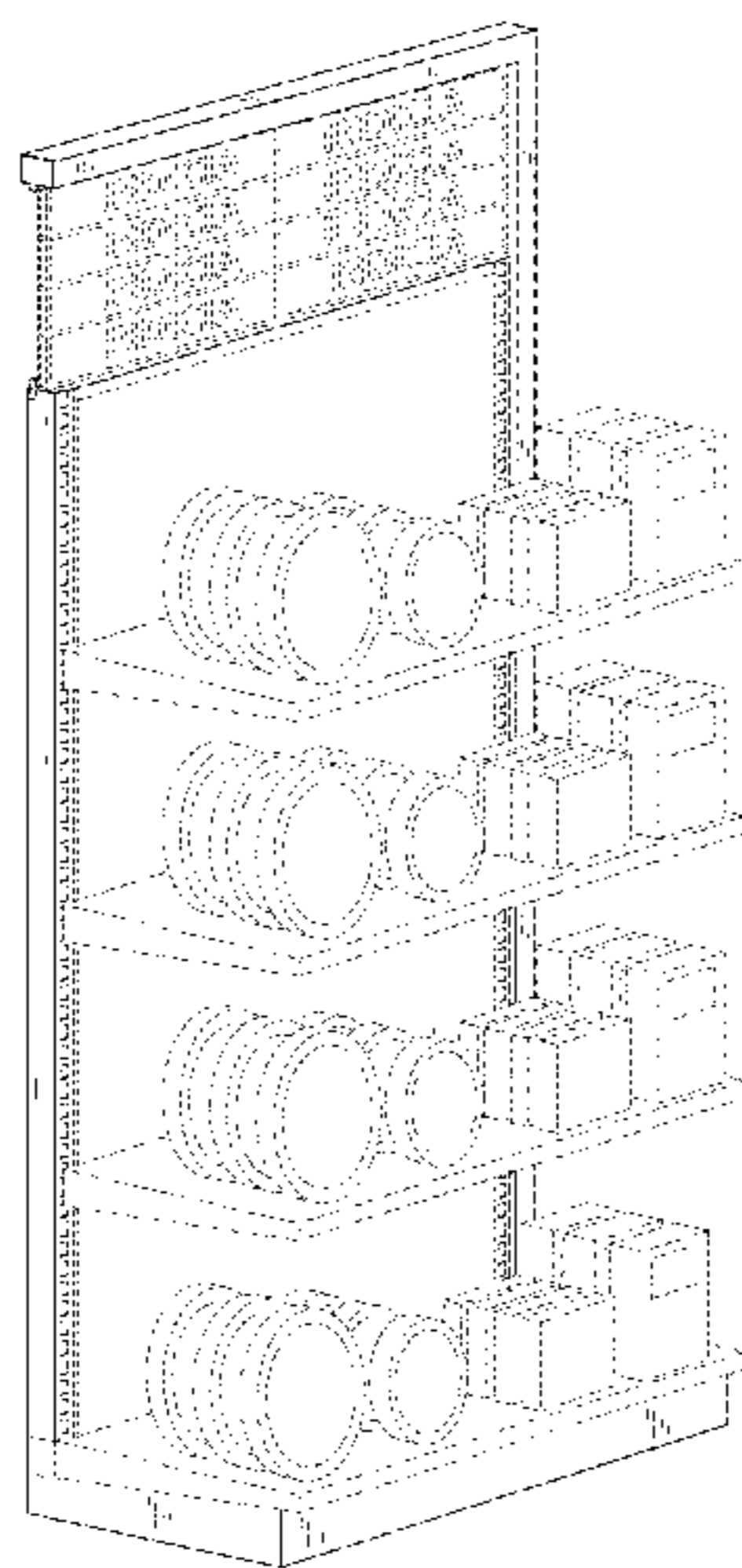
Related U.S. Application Data

- (63) Continuation of application No. 13/712,530, filed on Dec. 12, 2012, now Pat. No. 8,782,936.
- (51) **LOC (10) Cl.** **06-06**
- (52) **U.S. Cl.**
USPC **D6/675**
- (58) **Field of Classification Search**
USPC D6/332, 449, 466-468, 675, 682;
D20/10, 19, 43; D25/58; 211/86-90,
211/162, 187, 189, 194, 94, 94.5, 41.15,
211/169; 248/346.3, 346.03, 346.4, 346.5;
52/36.1, 239; 160/135, 351, 352
CPC A47F 5/0081; A47F 5/0018
See application file for complete search history.

(56) **References Cited**

U.S. PATENT DOCUMENTS

- 1,824,578 A 9/1931 Thake
- D194,019 S 11/1962 Smith



(56)

References Cited

U.S. PATENT DOCUMENTS

5,012,603	A	5/1991	Elcock	
D333,227	S *	2/1993	Horvath	D6/468
5,236,095	A	8/1993	Krizka	
5,240,127	A *	8/1993	Levin et al.	211/186
5,419,134	A	5/1995	Gibson	
5,433,046	A	7/1995	MacQuarrie et al.	
5,443,167	A	8/1995	Menaged et al.	
5,462,178	A	10/1995	Wallach et al.	
D371,026	S	6/1996	Hendler et al.	
5,607,070	A *	3/1997	Hellyer	211/189
5,624,044	A	4/1997	Black, Jr.	
5,660,286	A	8/1997	Shea	
5,722,623	A	3/1998	Gibson	
D400,737	S *	11/1998	DePottay et al.	D6/468
5,890,607	A *	4/1999	Maglione	211/189
5,933,992	A	8/1999	Padiak et al.	
RE36,669	E	4/2000	Zilincar, III	
D431,937	S *	10/2000	Heiny et al.	D6/479
D434,082	S	11/2000	Tsiogas	
D454,373	S	3/2002	Kosir	
D468,934	S *	1/2003	Dienstmann	D6/449
6,523,291	B2	2/2003	Nagel	
6,533,134	B1	3/2003	Menaged et al.	
6,601,328	B1	8/2003	Benaquista et al.	
6,607,083	B1	8/2003	Webb	
D479,277	S *	9/2003	Strunk et al.	D20/41
6,698,124	B2	3/2004	Kump et al.	
6,932,226	B2	8/2005	Hardy	
6,996,929	B1	2/2006	Greene, Jr. et al.	
D591,531	S *	5/2009	Sparkowski	D6/464
7,600,895	B2	10/2009	Hawkins et al.	
D607,669	S *	1/2010	Trinh et al.	D6/477
D610,832	S *	3/2010	Rheault	D6/436
7,797,869	B2	9/2010	Tollis et al.	
D625,760	S	10/2010	Wormser	
D628,653	S	12/2010	Shedarowich	
D631,097	S	1/2011	Giugiaro	
D633,313	S *	3/2011	Ma	D6/397
D637,421	S *	5/2011	Theisen et al.	D6/478
D637,422	S *	5/2011	Theisen et al.	D6/478
7,946,066	B2	5/2011	Wamsley	
D642,824	S *	8/2011	Theisen et al.	D6/449
D647,978	S	11/2011	Bacsikai et al.	
D661,124	S *	6/2012	Curbbun et al.	D6/396
D662,329	S *	6/2012	Arko et al.	D6/332
D664,599	S	7/2012	Clark et al.	
D669,284	S *	10/2012	Canavan et al.	D6/473
D679,521	S *	4/2013	Hamm et al.	D6/672
D708,459	S *	7/2014	Heirakuji et al.	D6/675
8,782,936	B2 *	7/2014	Logan et al.	40/606.01
D712,692	S *	9/2014	McManic et al.	D6/702
D715,682	S *	10/2014	Taylor et al.	D11/143
D717,808	S *	11/2014	Tsuru et al.	D14/485
D719,577	S *	12/2014	Tsuru et al.	D14/485
2002/0026737	A1	3/2002	Tramont	
2006/0185203	A1	8/2006	Bittle et al.	
2007/0209259	A1	9/2007	Pavlik et al.	
2008/0149576	A1	6/2008	Onachilla et al.	
2011/0192812	A1	8/2011	Weigand et al.	
2011/0219653	A1	9/2011	Shea et al.	

* cited by examiner

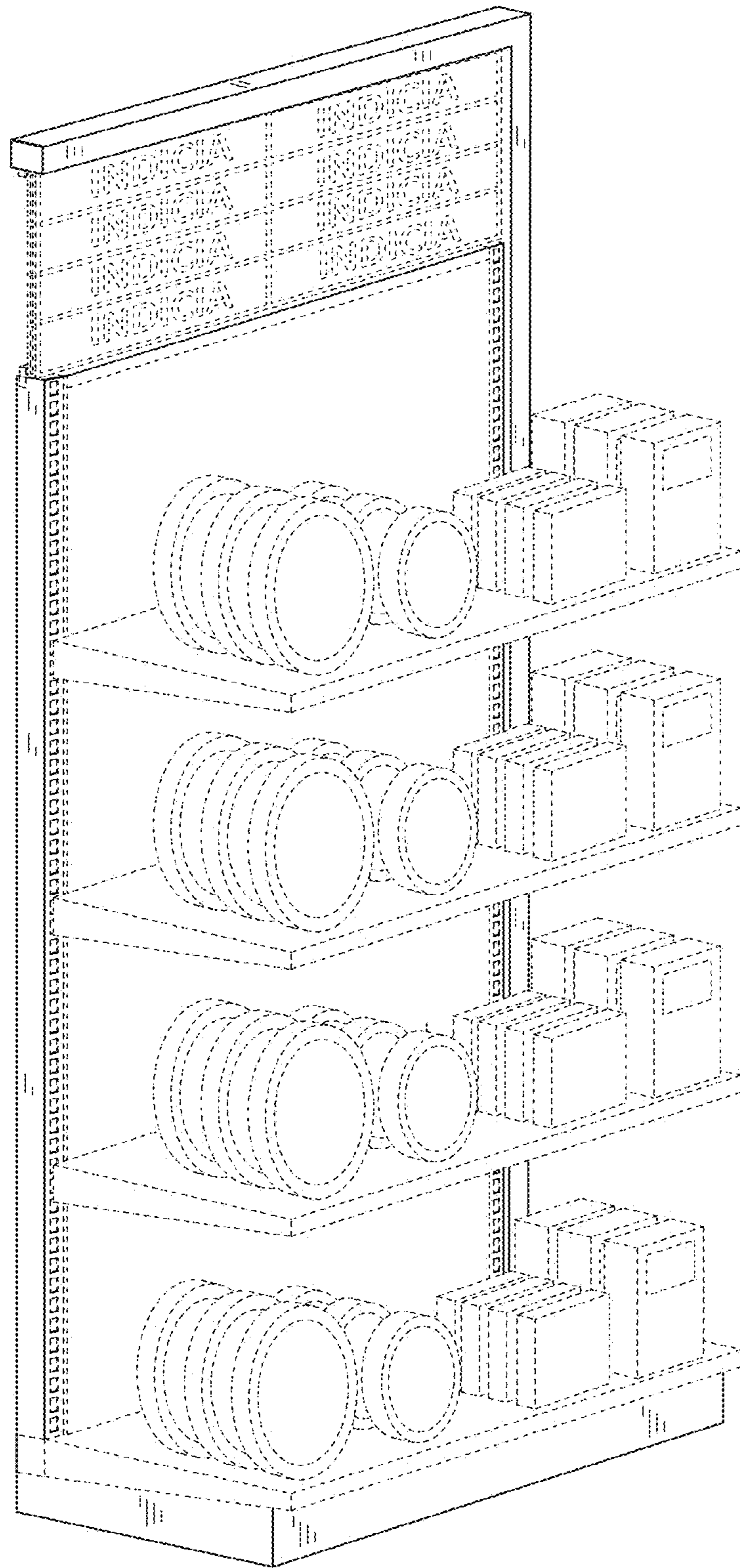


FIG. 1

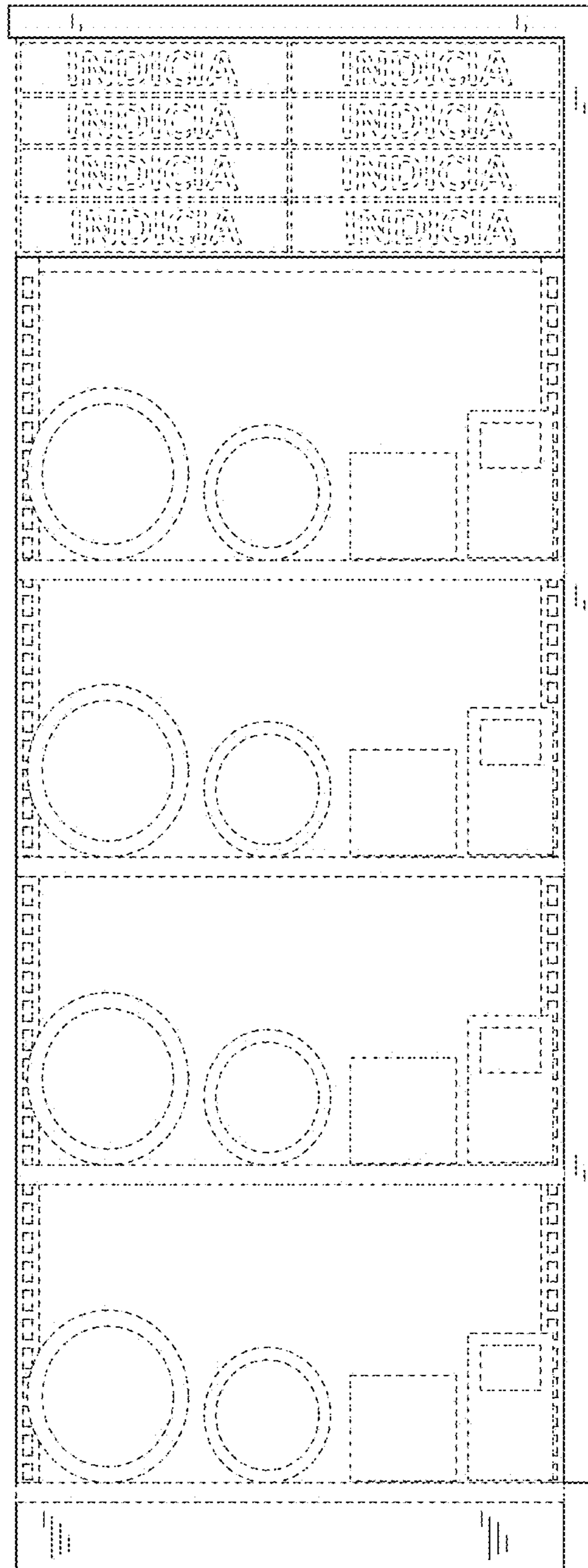


FIG. 2

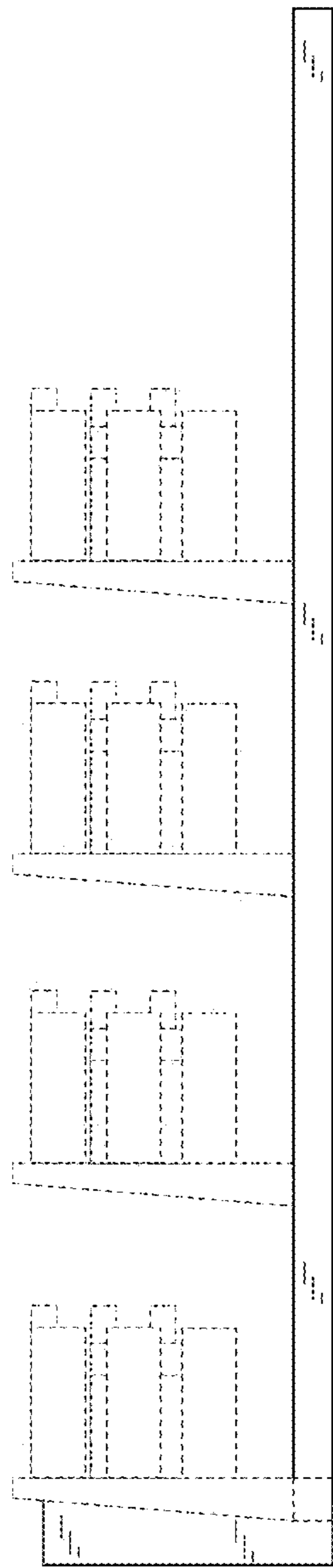


FIG. 3

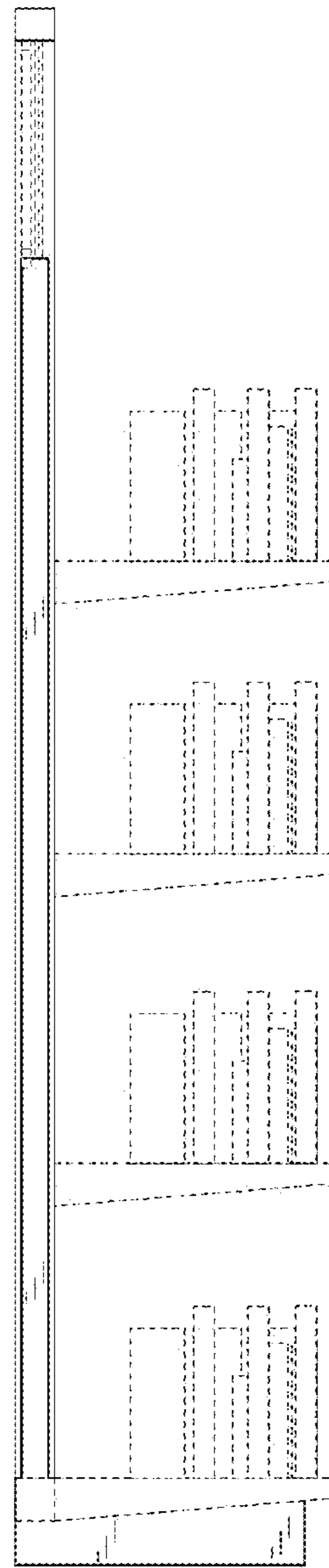


FIG. 4

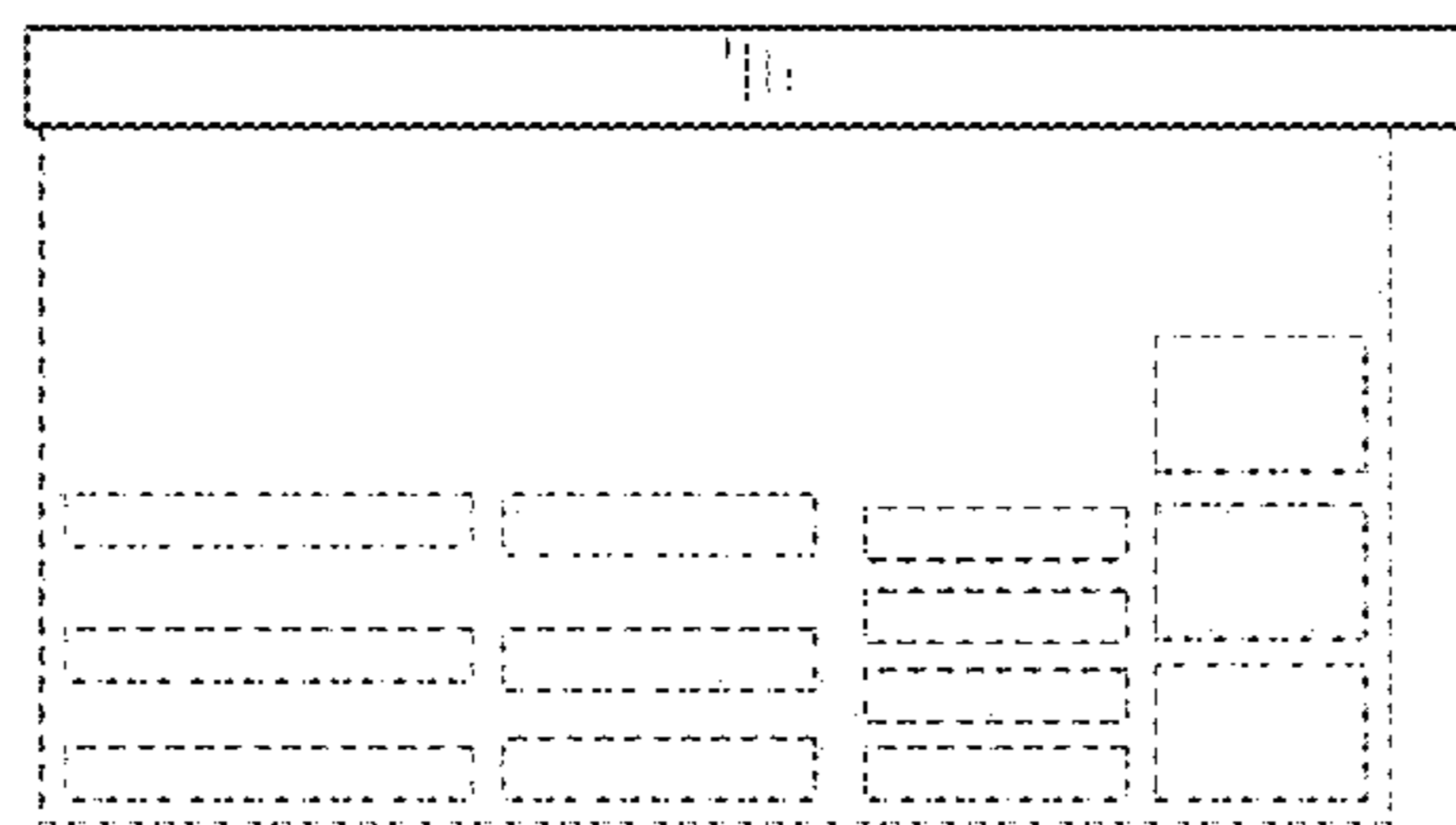


FIG. 5

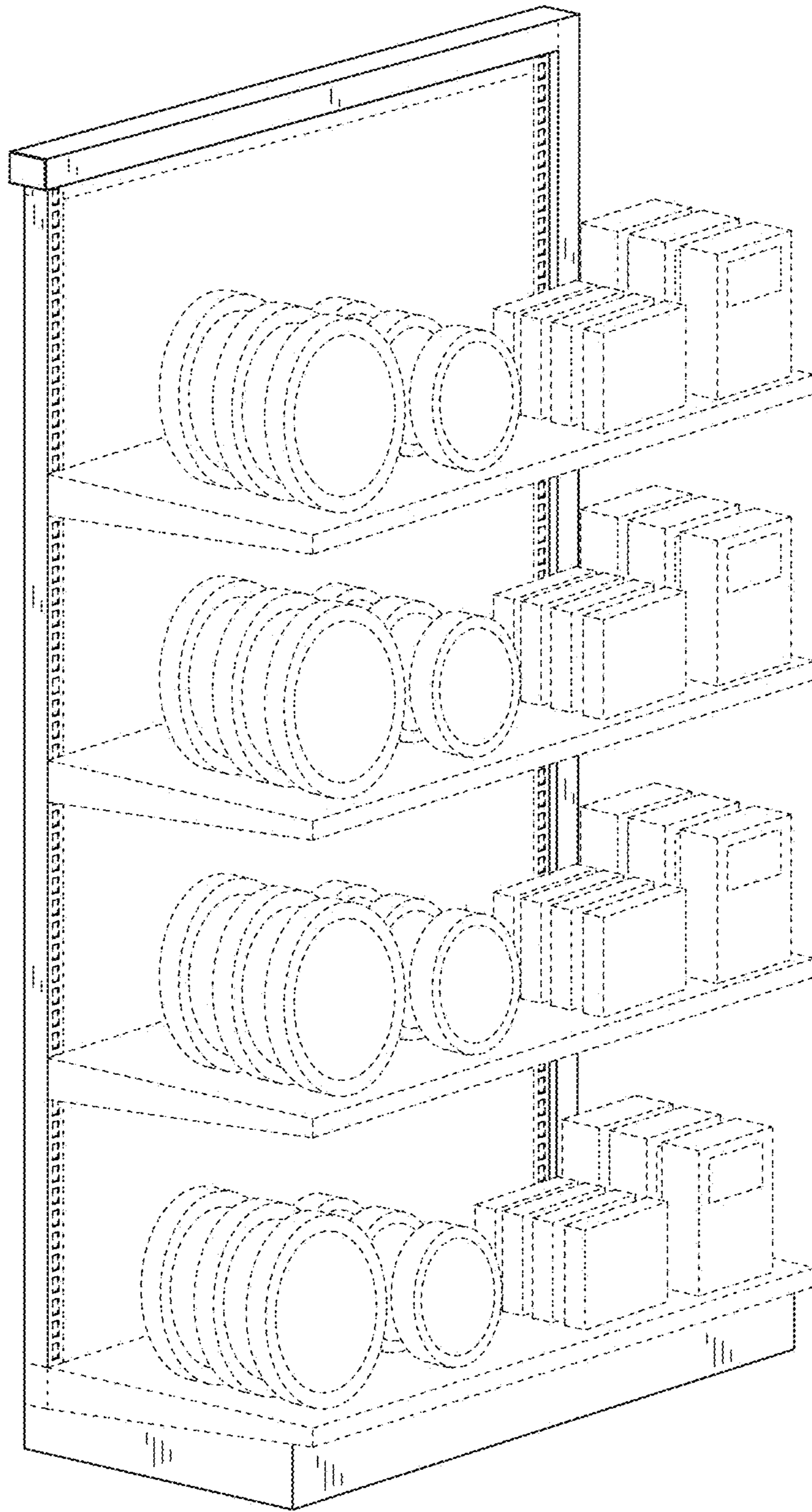


FIG. 6

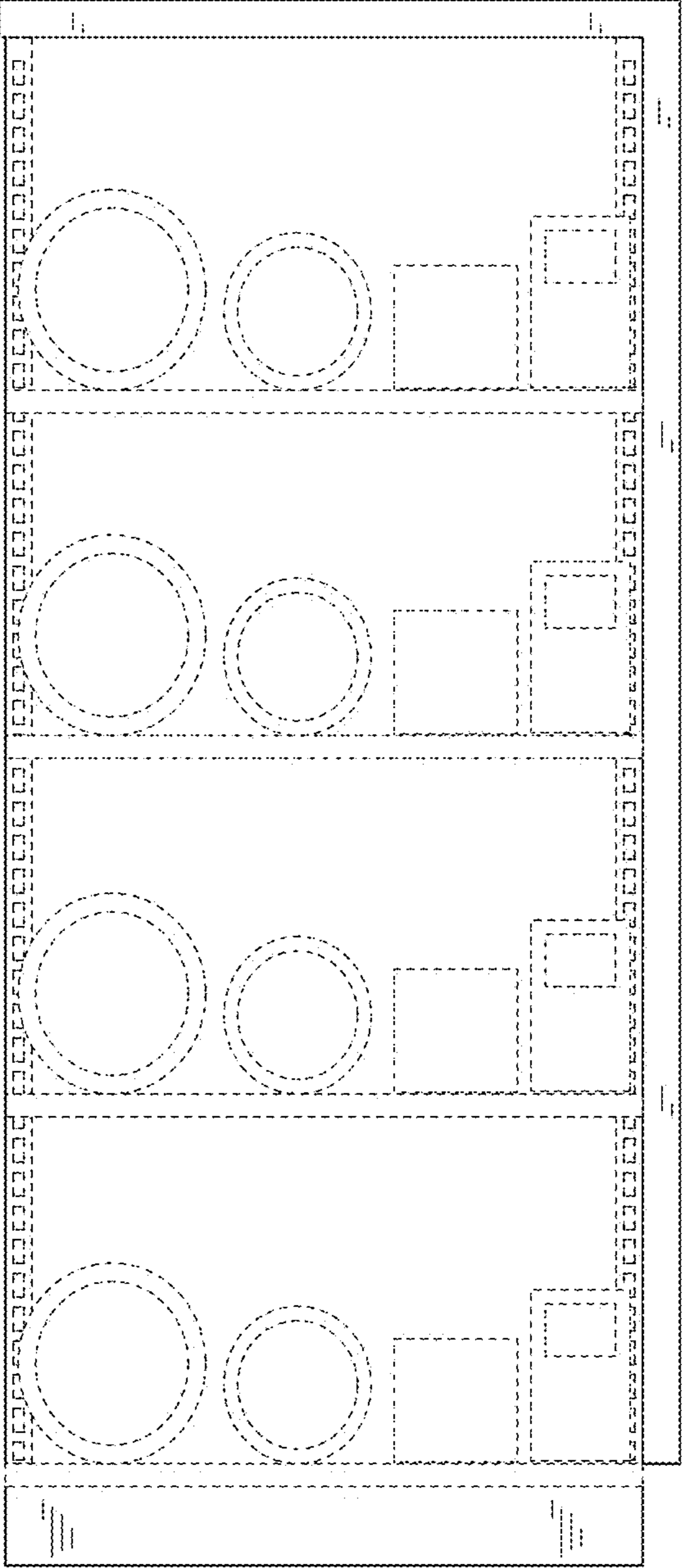


FIG. 7

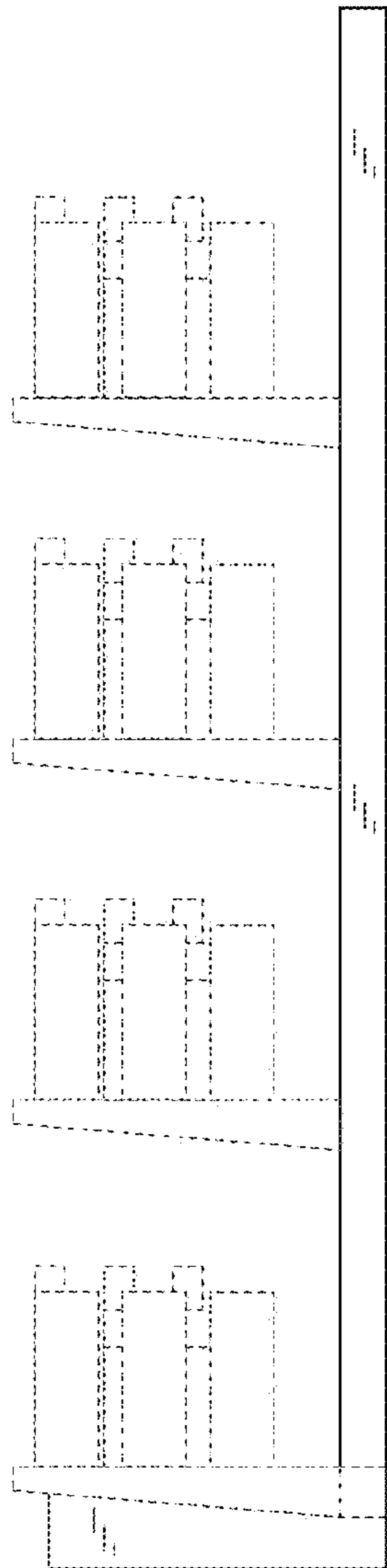


FIG. 8

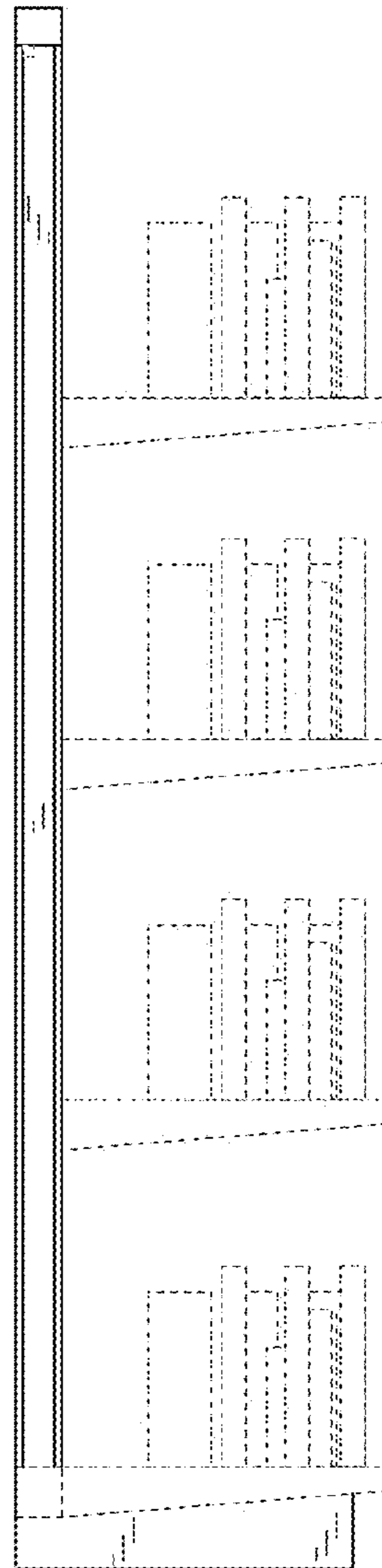


FIG. 9

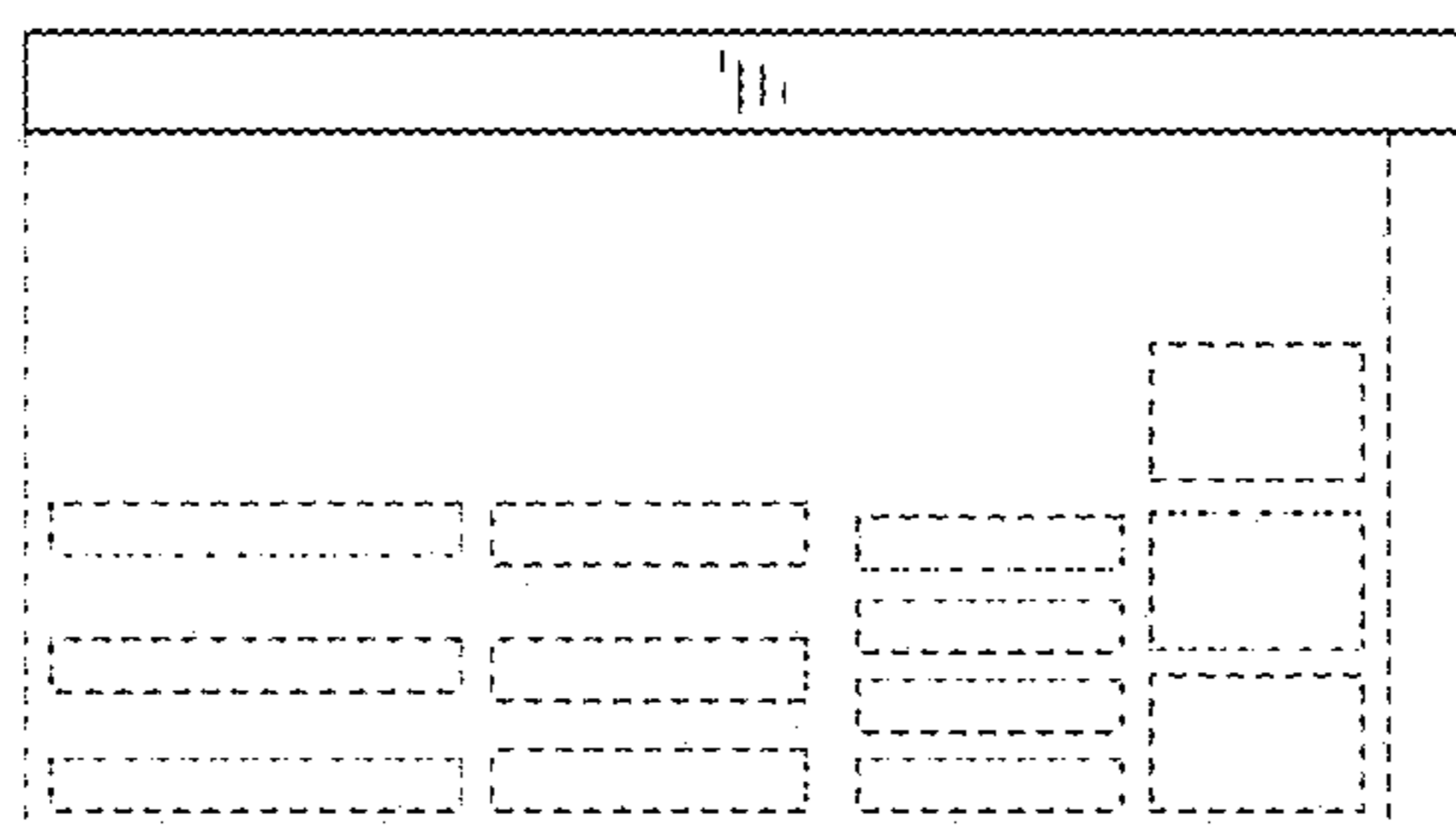


FIG. 10