



US00D730662S

(12) **United States Design Patent**
Trinh et al.

(10) **Patent No.:** **US D730,662 S**
(45) **Date of Patent:** **** Jun. 2, 2015**

(54) **DISPLAY UNIT**

(71) Applicant: **Target Brands, Inc.**, Minneapolis, MN (US)

(72) Inventors: **Nick Q. Trinh**, Minneapolis, MN (US); **William Y. Stafford**, Minnetrista, MN (US); **Blake M. Johnson**, St. Paul, MN (US); **Timothy J. Martell**, Brooklyn Park, MN (US); **Robert D. Peota**, Minneapolis, MN (US)

(73) Assignee: **Target Brands, Inc.**, Minneapolis, MN (US)

(**) Term: **14 Years**

(21) Appl. No.: **29/479,985**

(22) Filed: **Jan. 22, 2014**

(51) **LOC (10) Cl.** **06-06**

(52) **U.S. Cl.**
USPC **D6/672**

(58) **Field of Classification Search**
USPC D6/552, 670, 672, 675, 682.2, 683, D6/708; D13/184; D16/215; D21/797; D24/177, 185; D30/143; D32/58; D34/34; 211/85.3, 87.01, 201, 204, 211/206; 135/15.1
CPC A47F 1/00; A47F 5/025; A47F 9/00
See application file for complete search history.

(56) **References Cited**

U.S. PATENT DOCUMENTS

D250,868 S	1/1979	Ornatek	
4,377,241 A *	3/1983	Schreiner	211/133.3
D282,572 S *	2/1986	Bartlett et al.	D24/185
D290,204 S	6/1987	Bruget	
D296,392 S	6/1988	Noyes et al.	
D324,873 S *	3/1992	Thayer	D16/215
D336,183 S *	6/1993	Klein, III	D6/467
D338,117 S	8/1993	Caldwell et al.	

D362,981 S *	10/1995	Lechleiter et al.	D6/466
D395,677 S	6/1998	Gongora et al.	
D397,562 S	9/1998	DePottey et al.	
D398,653 S	9/1998	Hiraguchi et al.	
D427,457 S	7/2000	Heiny et al.	
D436,762 S	1/2001	Heiny et al.	
D438,030 S	2/2001	Riga	
D440,796 S	4/2001	Riga	
D457,751 S *	5/2002	Stafford et al.	D6/456
D468,560 S	1/2003	Riga	
D546,013 S	7/2007	Pong	
D579,229 S	10/2008	De La Serve et al.	
D590,630 S	4/2009	Singler et al.	
D607,669 S	1/2010	Trinh et al.	

(Continued)

OTHER PUBLICATIONS

MDF Display Rack: announced Mar. 6, 2012 [online], site visited [Mar. 17, 2015]. Available from Internet URL: www.weiku.com.*

(Continued)

Primary Examiner — Cathron Brooks

Assistant Examiner — Catherine Posthauer

(74) *Attorney, Agent, or Firm* — Leanne Taveggia Farrell; Westman, Champlin & Koehler, P.A.

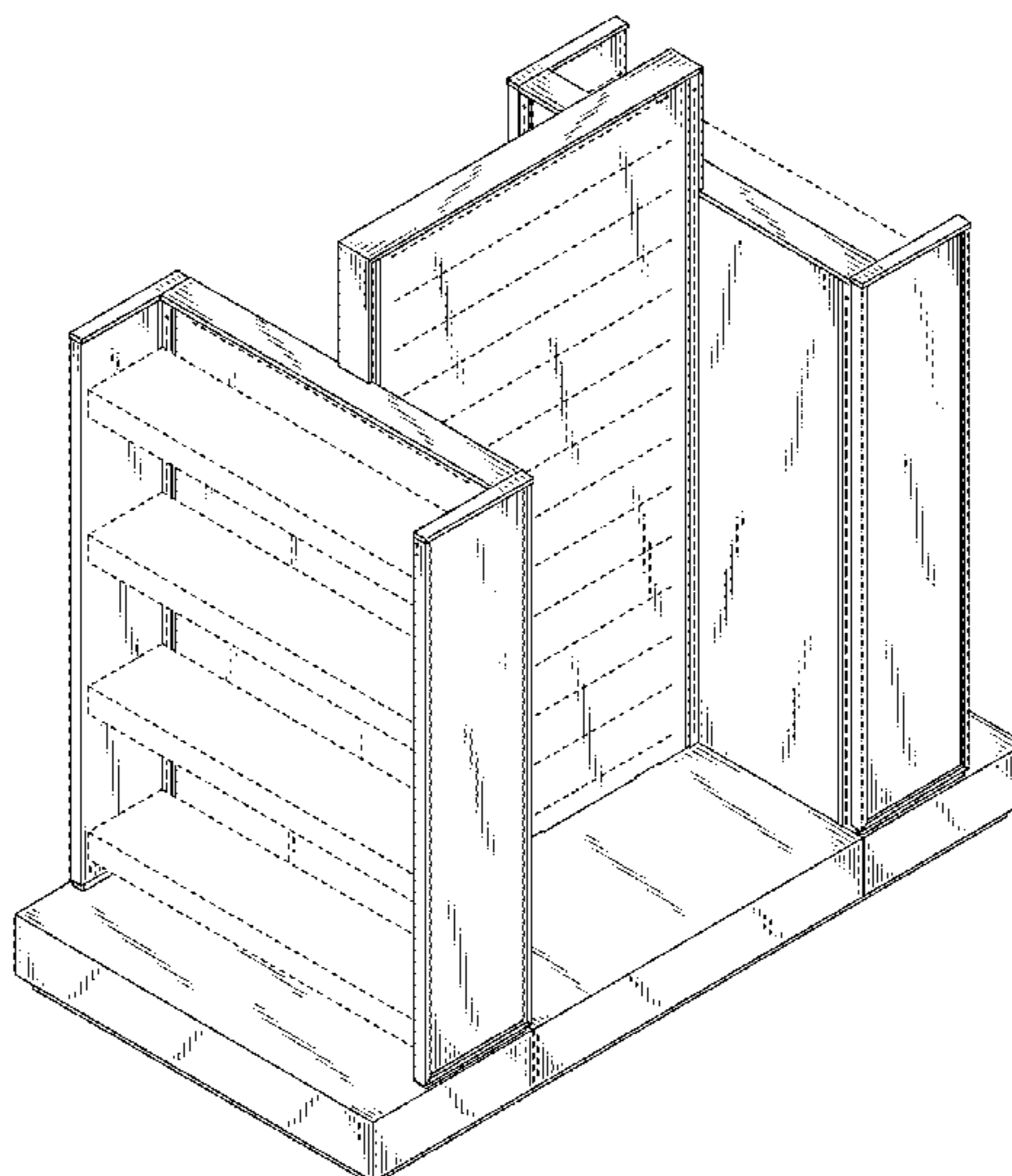
(57) **CLAIM**

The ornamental design for a display unit, as shown and described.

DESCRIPTION

FIG. 1 is a perspective view of a display unit showing our new design;
FIG. 2 is a front view thereof, the opposing back view being identical;
FIG. 3 is a side view thereof, the opposing side view being identical; and,
FIG. 4 is a top view thereof.
The broken lines shown on the drawings, regardless of size or thickness, illustrate portions of the article that form no part of the claimed design.

1 Claim, 2 Drawing Sheets



(56)

References Cited

U.S. PATENT DOCUMENTS

D607,670 S 1/2010 Trinh et al.
D608,775 S 1/2010 Leung
D610,832 S 3/2010 Rheault
D637,421 S 5/2011 Theisen et al.
D637,422 S 5/2011 Theisen et al.
D639,086 S 6/2011 Curbbun et al.
D639,800 S 6/2011 Magruder
D644,040 S * 8/2011 Trumbauer et al. D6/461
D655,533 S * 3/2012 Denby et al. D6/455
D661,124 S * 6/2012 Curbbun et al. D6/396
D662,329 S * 6/2012 Arko et al. D6/332

D679,521 S 4/2013 Hamm et al.
D689,473 S 9/2013 Manton
D693,156 S * 11/2013 Hamm et al. D6/672
8,752,718 B2 * 6/2014 Stukenberg et al. 211/87.01
D711,671 S * 8/2014 Albinana Arriaga D6/682.2
D713,659 S * 9/2014 Stafford et al. D6/675

OTHER PUBLICATIONS

Office Action from Canadian Patent Application No. 155,781, mailed Sep. 22, 2014 (2 pages).

Office Action from Canadian Patent Application No. 155,780, mailed Sep. 22, 2014 (1 page).

* cited by examiner

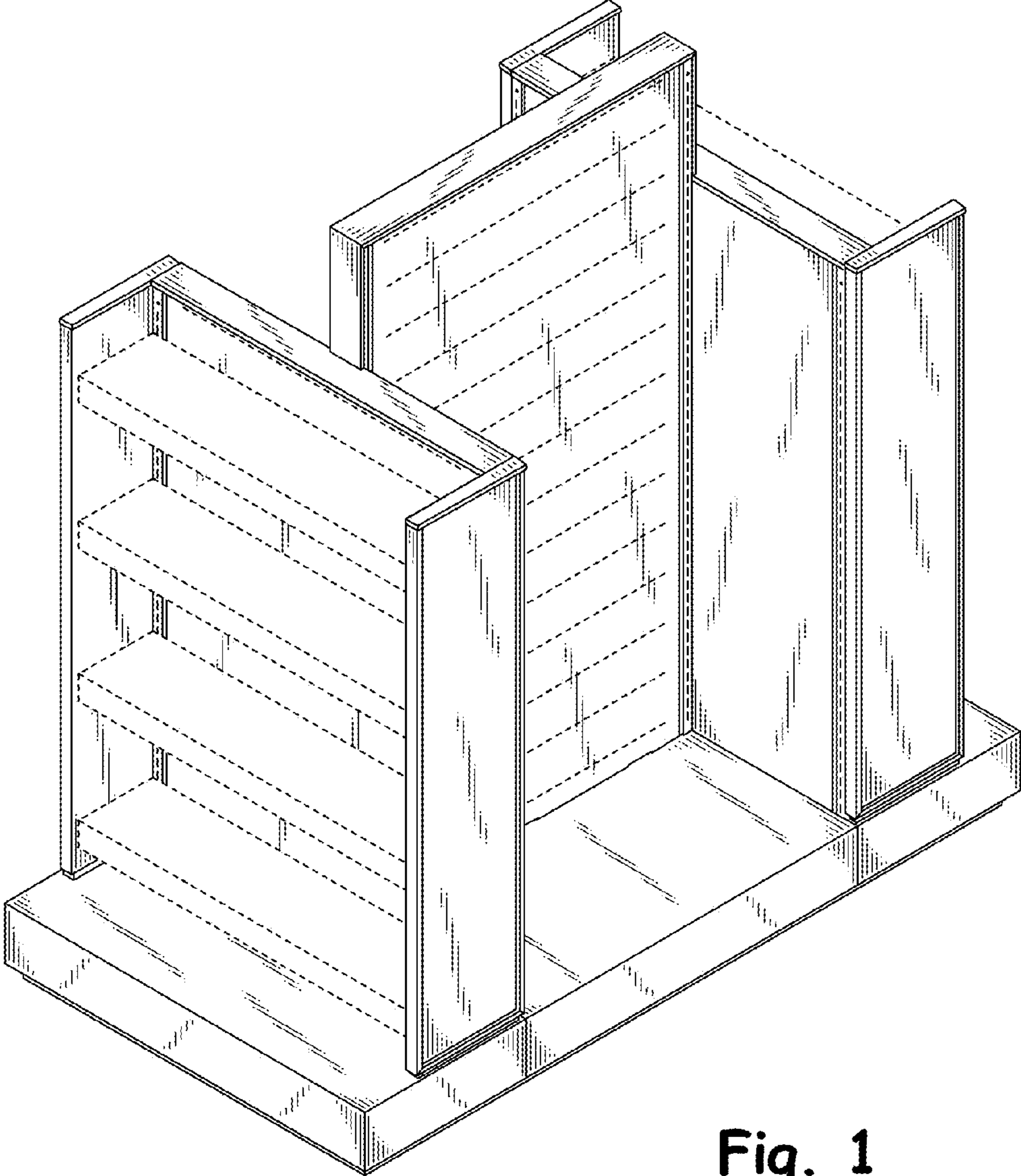


Fig. 1

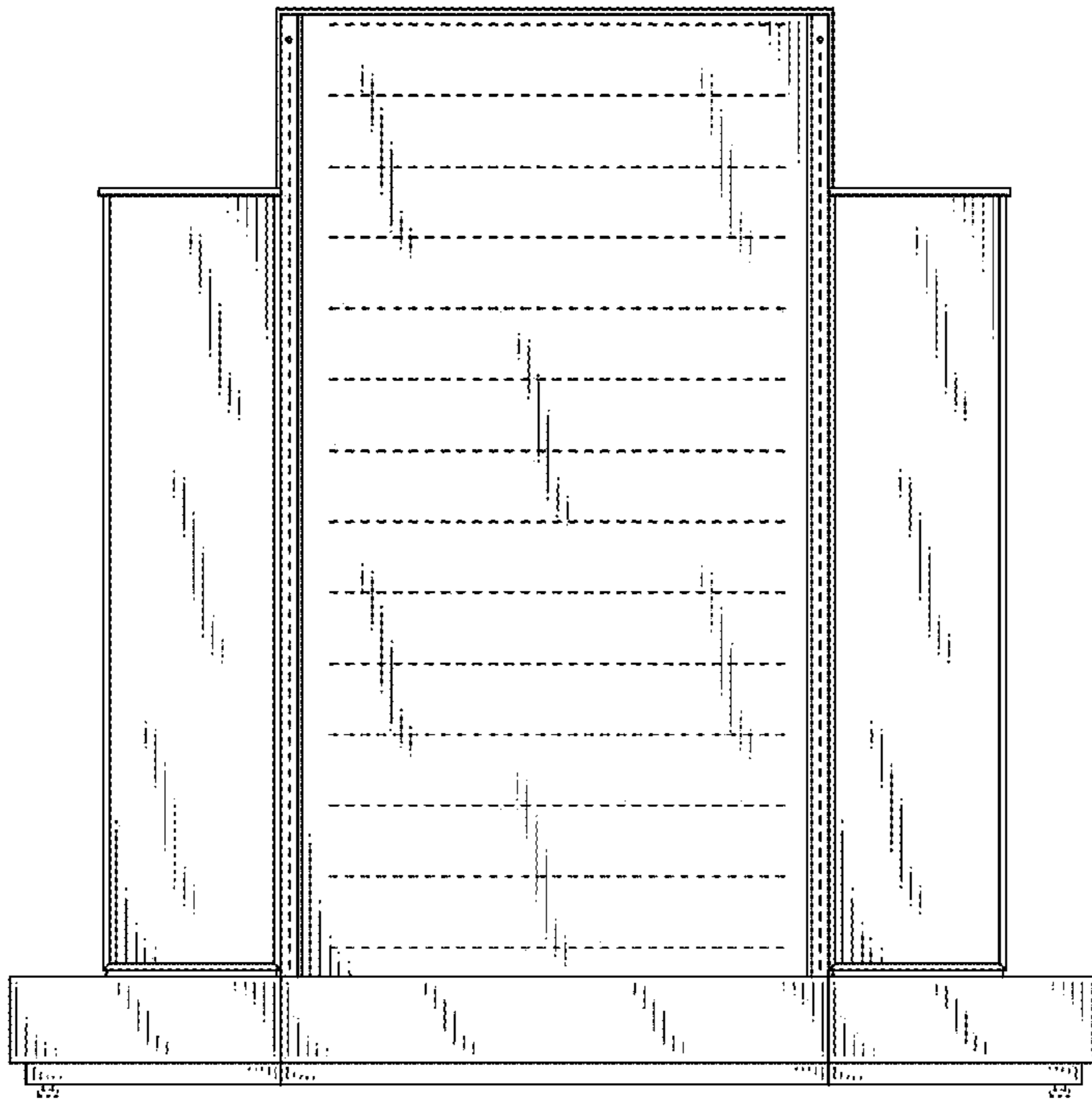


Fig. 2

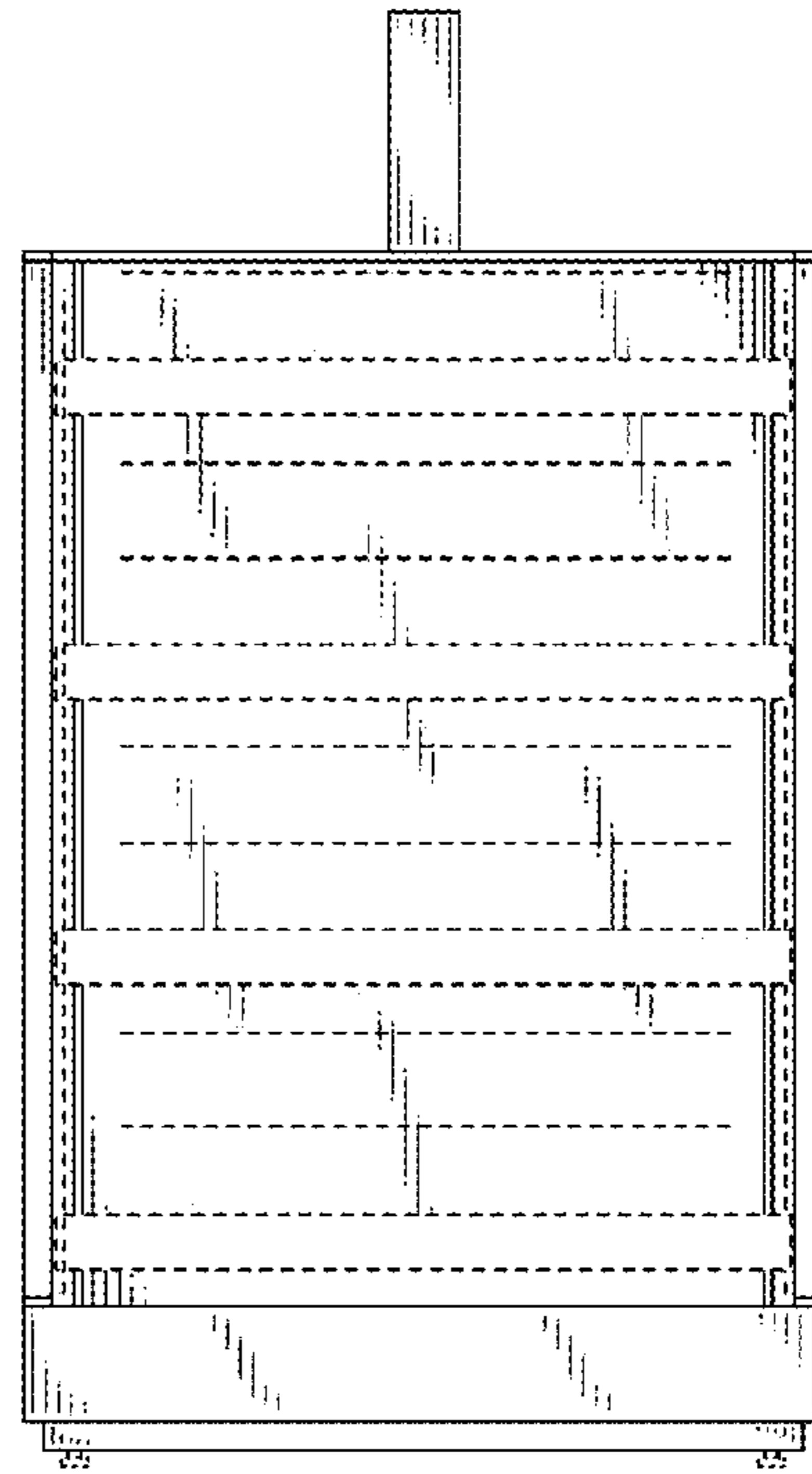


Fig. 3

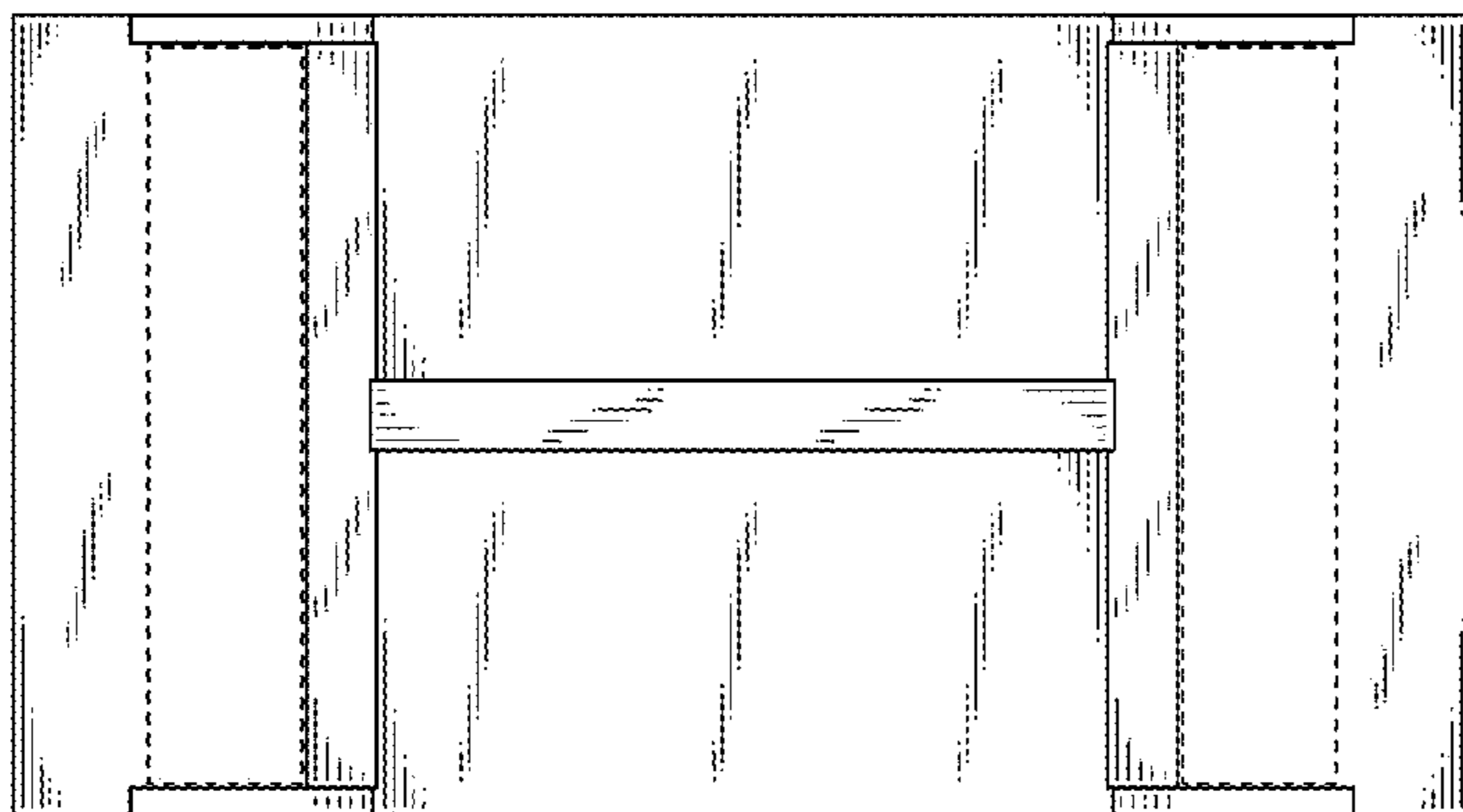


Fig. 4