



US00D730661S

(12) **United States Design Patent**  
**Brunner**

(10) **Patent No.:** **US D730,661 S**

(45) **Date of Patent:** **\*\* Jun. 2, 2015**

(54) **TOOL CABINET**

(71) Applicant: **KETER PLASTIC LTD.**, Herzelyia (IL)

(72) Inventor: **Yaron Brunner**, Timrat (IL)

(73) Assignee: **KETER PLASTIC LTD.**, Herzelyia (IL)

(\*\*) Term: **14 Years**

(21) Appl. No.: **29/458,017**

(22) Filed: **Jun. 14, 2013**

(51) **LOC (10) Cl.** ..... **06-04**

(52) **U.S. Cl.**  
USPC ..... **D6/671**

(58) **Field of Classification Search**  
USPC ..... D6/400, 432, 436-441, 445-448, 510, D6/663, 671, 671.1; D24/128, 169, 172, D24/185; D34/12-27; 312/108, 204, 249.4, 312/249.11, 249.12, 281, 308-310, 330.1  
See application file for complete search history.

(56) **References Cited**

**U.S. PATENT DOCUMENTS**

D361,910	S	*	9/1995	Maple et al.	.....	D6/445
D411,678	S	*	6/1999	Di Paolo	.....	D34/21
D423,817	S	*	5/2000	Holcomb et al.	.....	D6/445
D423,818	S	*	5/2000	Holcomb et al.	.....	D6/445
D427,807	S	*	7/2000	Holcomb et al.	.....	D6/445
D489,858	S	*	5/2004	Hay et al.	.....	D34/20

D509,939	S	*	9/2005	Hay et al.	.....	D34/20
6,976,744	B2	*	12/2005	Hay et al.	.....	312/281
D524,506	S	*	7/2006	Hay et al.	.....	D34/20
D546,017	S	*	7/2007	Wise	.....	D34/19
D615,208	S	*	5/2010	Keffeler et al.	.....	D24/185
D665,597	S	*	8/2012	Dufoure et al.	.....	D6/445
2009/0085448	A1	*	4/2009	Zhang	.....	312/309

\* cited by examiner

*Primary Examiner* — Ricky Pham

(74) *Attorney, Agent, or Firm* — Vorys, Sater, Seymour and Pease LLP; Susanne M. Hopkins; William L. Klima

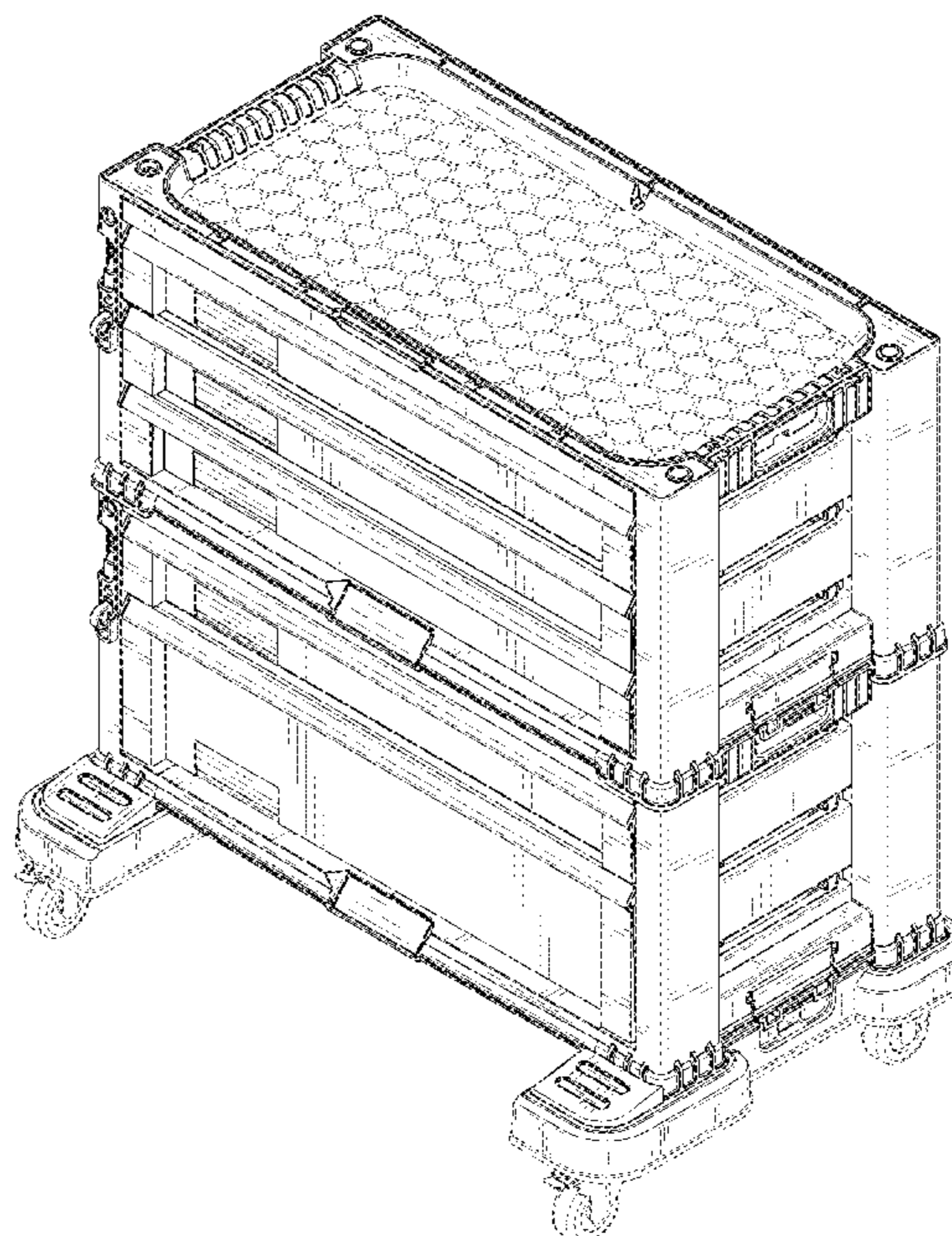
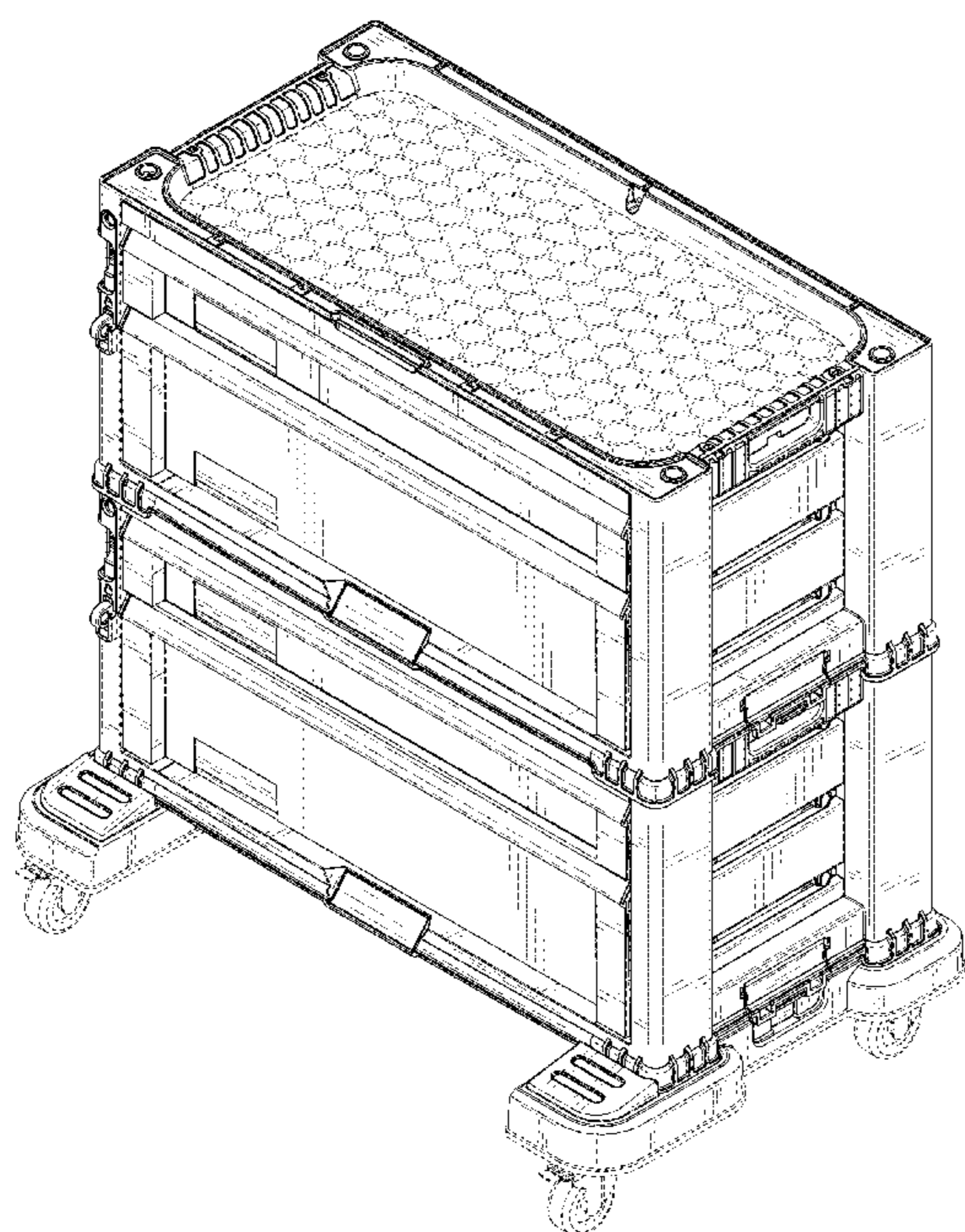
(57) **CLAIM**

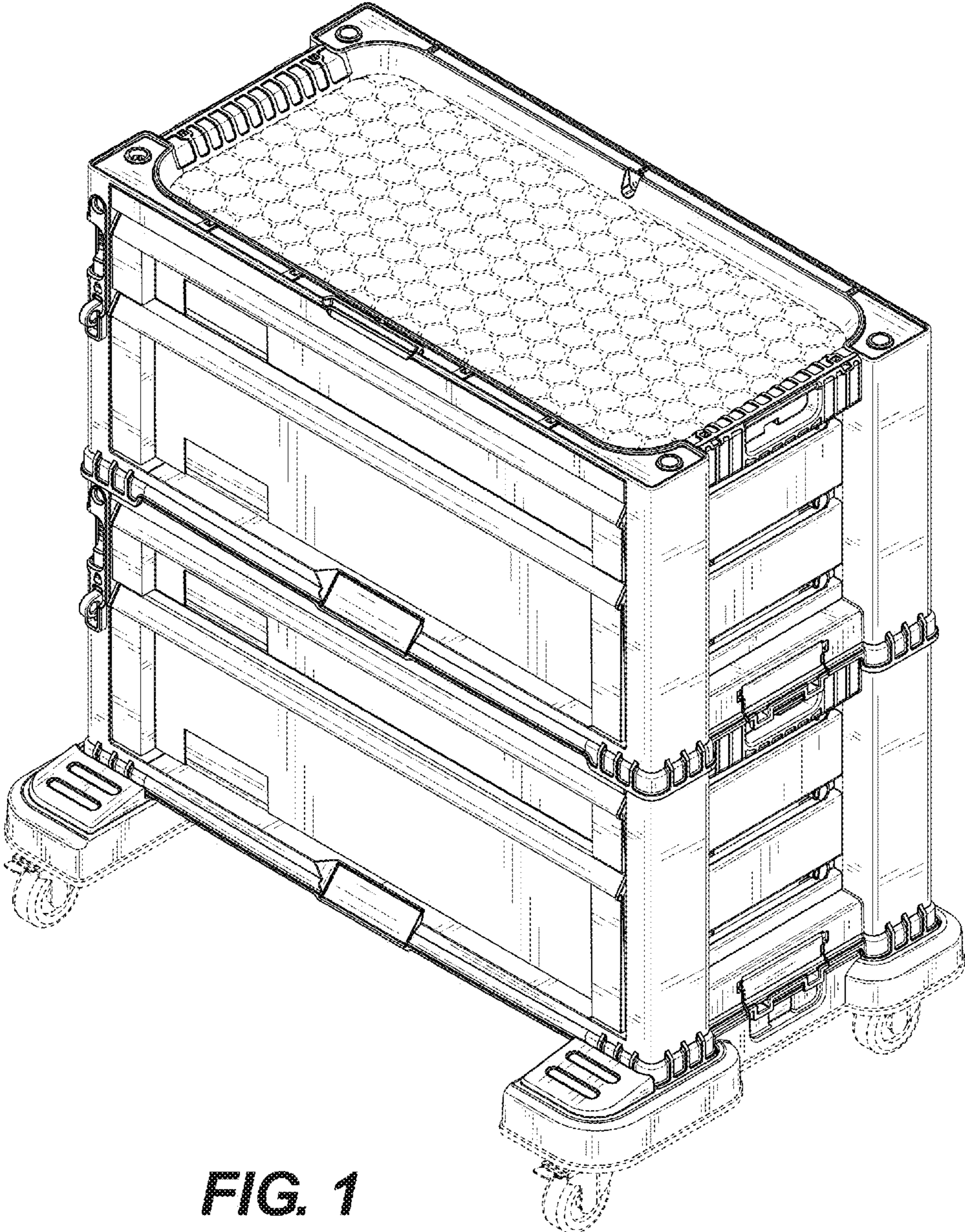
The ornamental design for a tool cabinet, as shown and described.

**DESCRIPTION**

FIG. 1 is a front perspective view of a tool cabinet; FIG. 2 is a front elevational view thereof; FIG. 3 is a rear elevational view thereof; FIG. 4 is a left-side elevational view thereof; FIG. 5 is a right-side elevational view thereof; and FIG. 6 is a top planar view thereof; FIG. 7 is another front perspective view of a tool cabinet; FIG. 8 is a front elevational view thereof; FIG. 9 is a rear elevational view thereof; FIG. 10 is a left-side elevational view thereof; FIG. 11 is a right-side elevational view thereof; and, FIG. 12 is a top planar view thereof. The parts delineated in broken line form no part of the claimed design.

**1 Claim, 12 Drawing Sheets**





**FIG. 1**

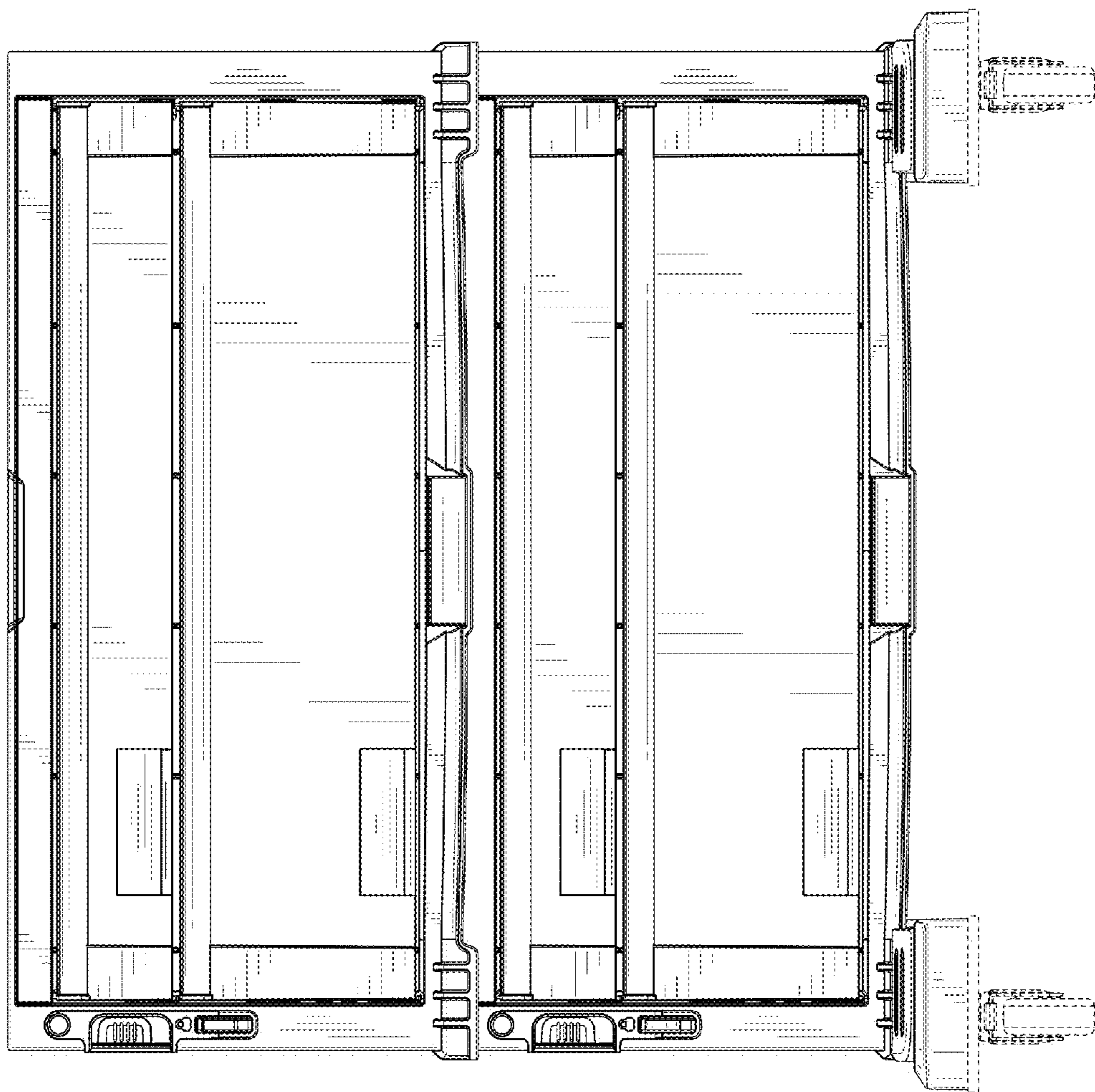


FIG. 2

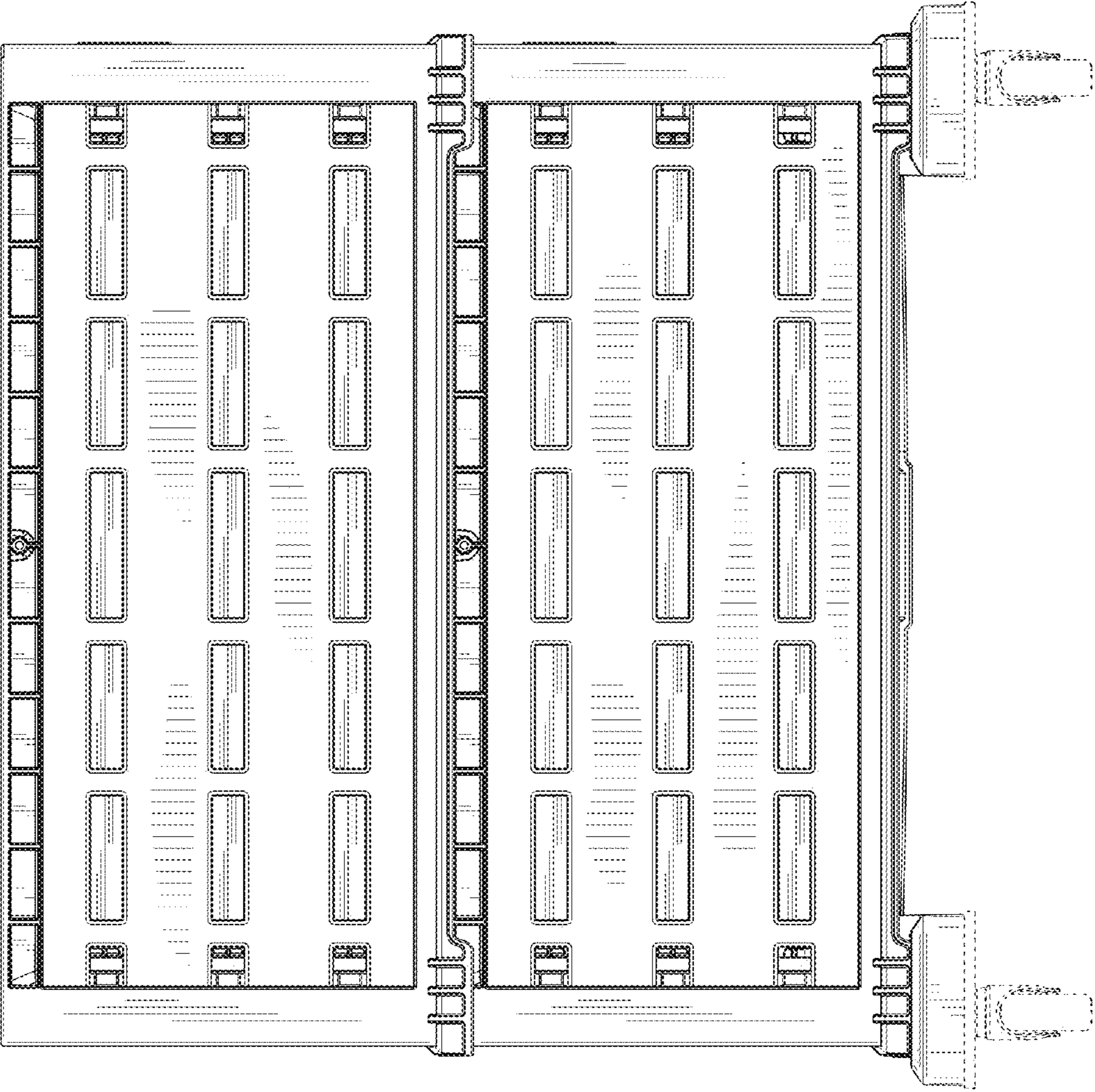
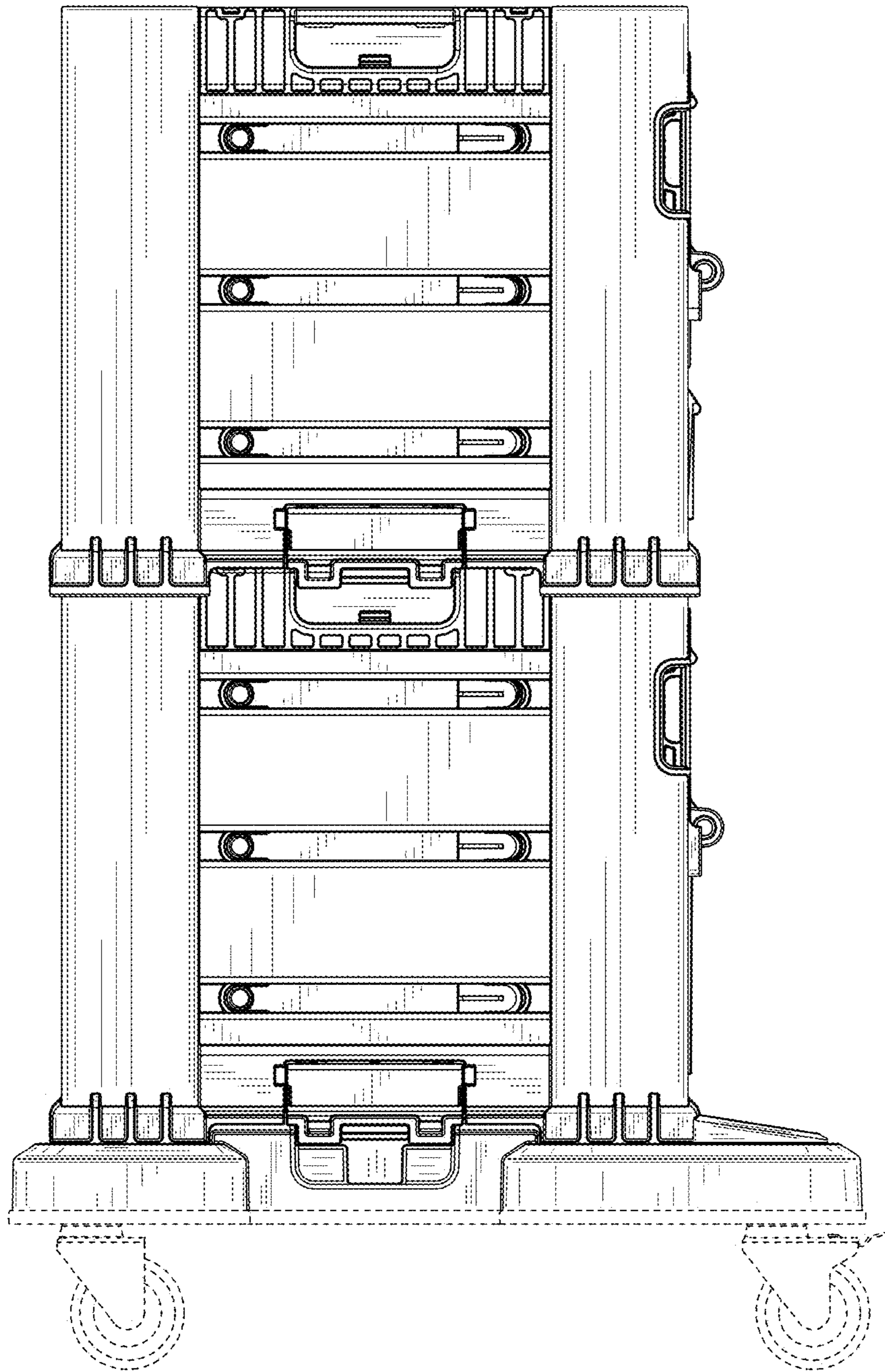
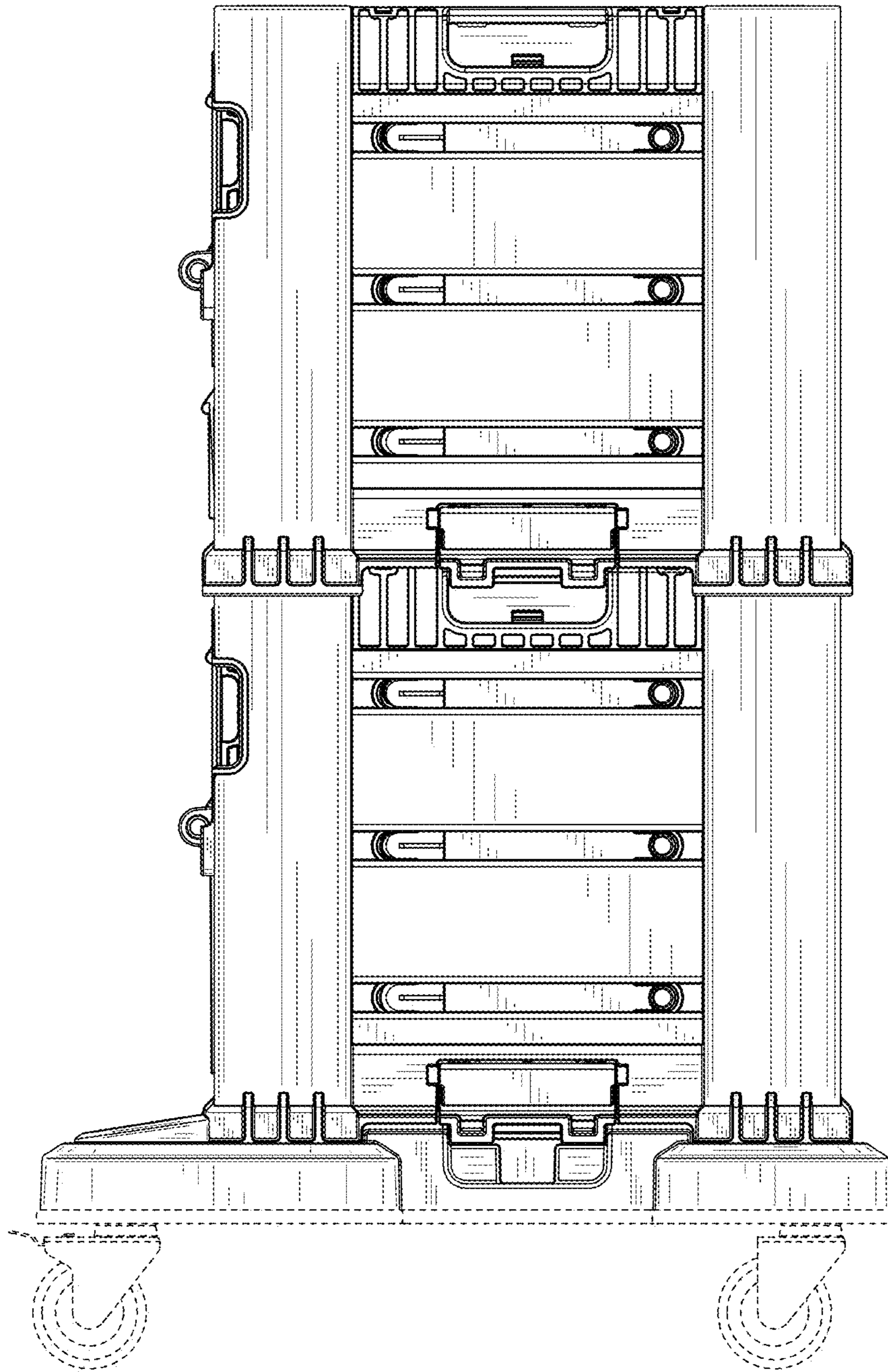


FIG. 3



**FIG. 4**



**FIG. 5**

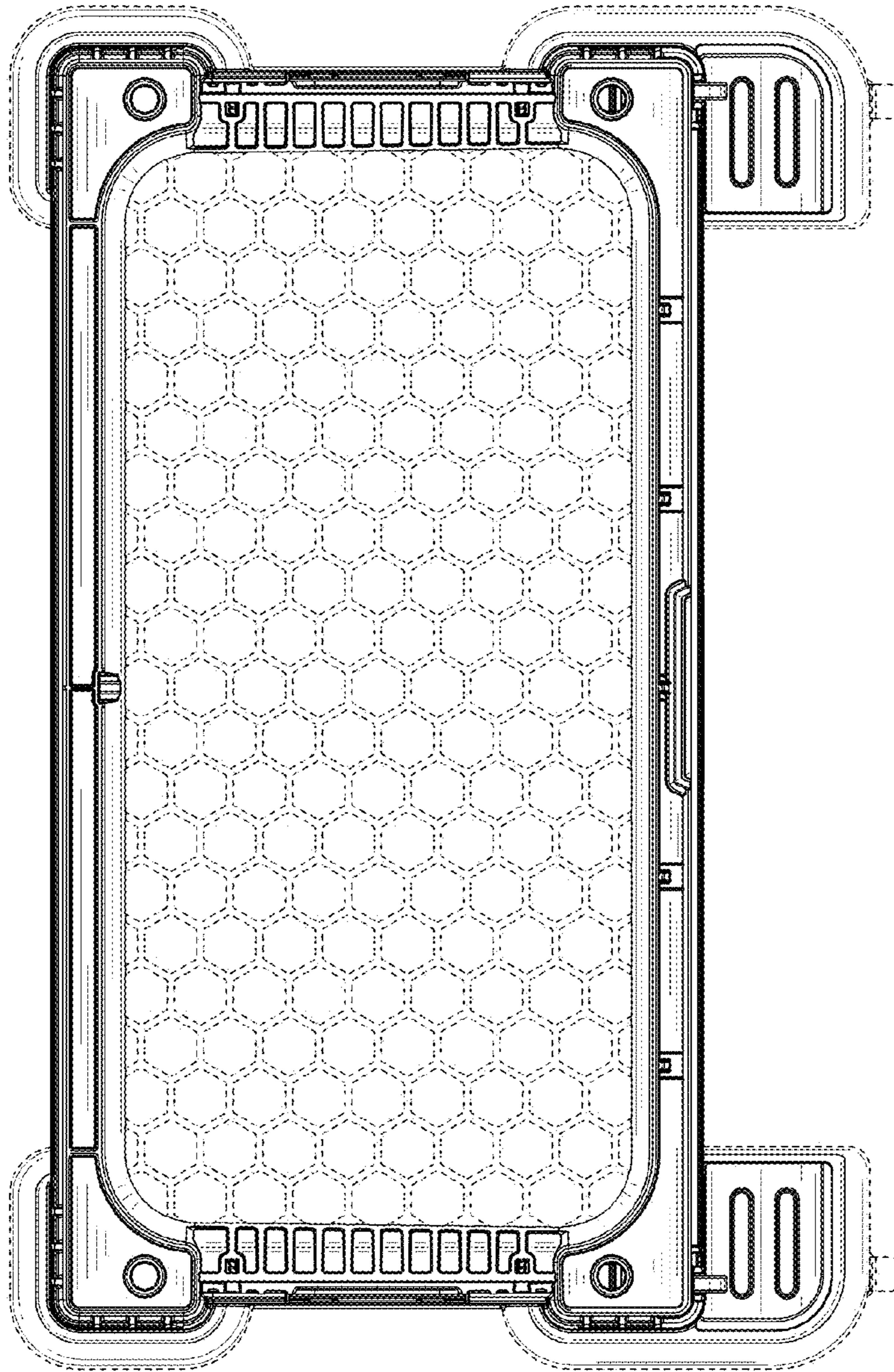
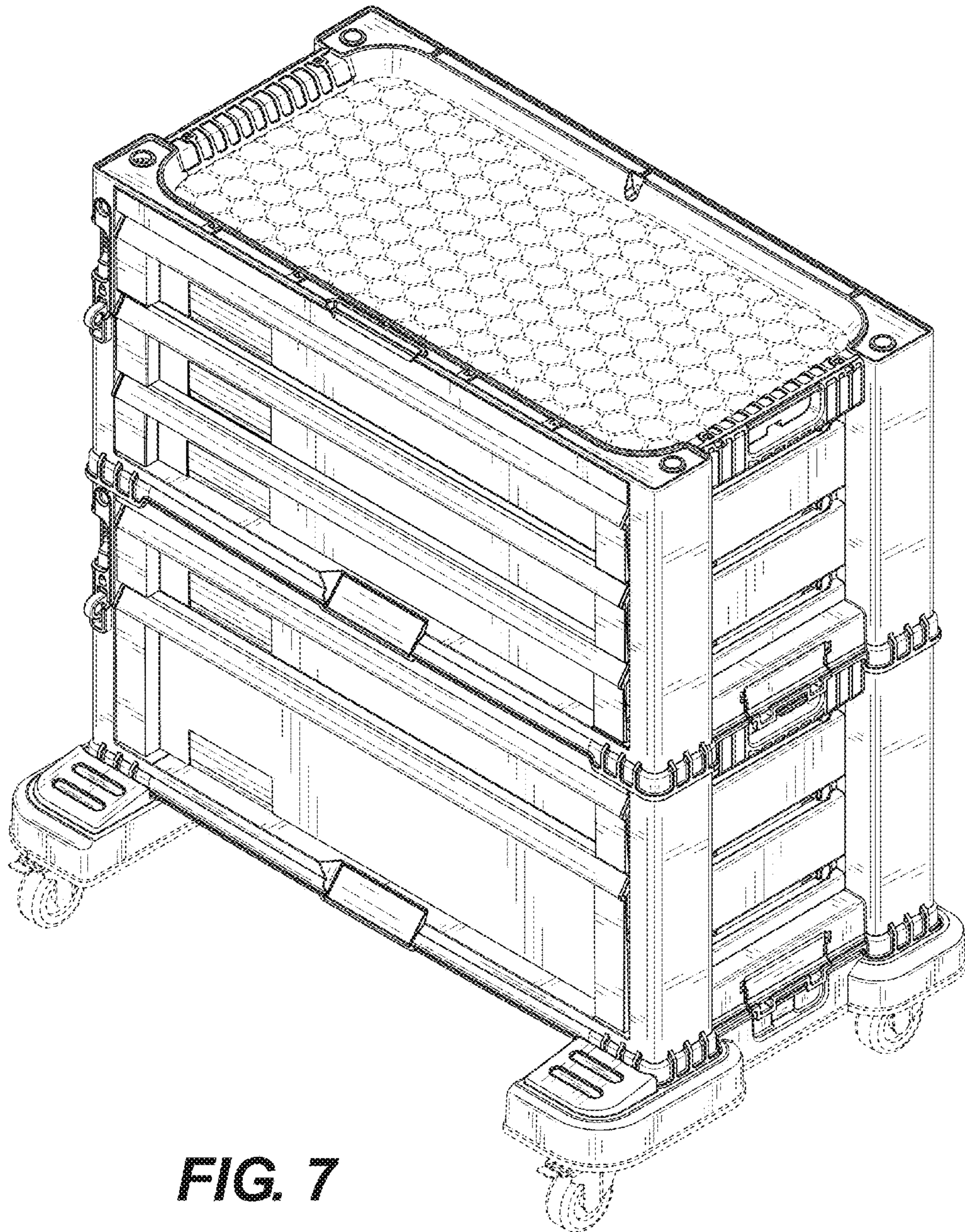


FIG. 6



**FIG. 7**



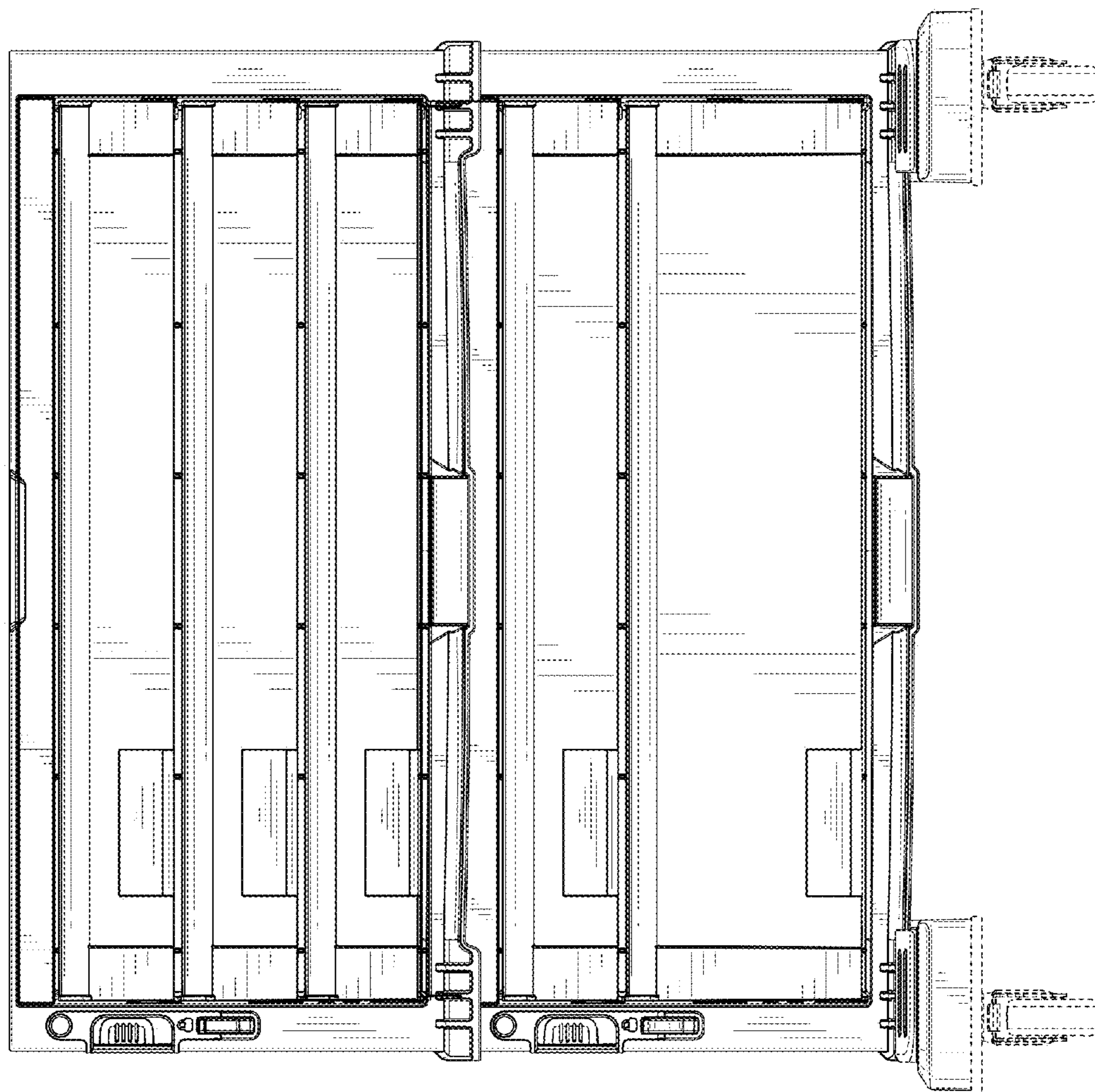


FIG. 8

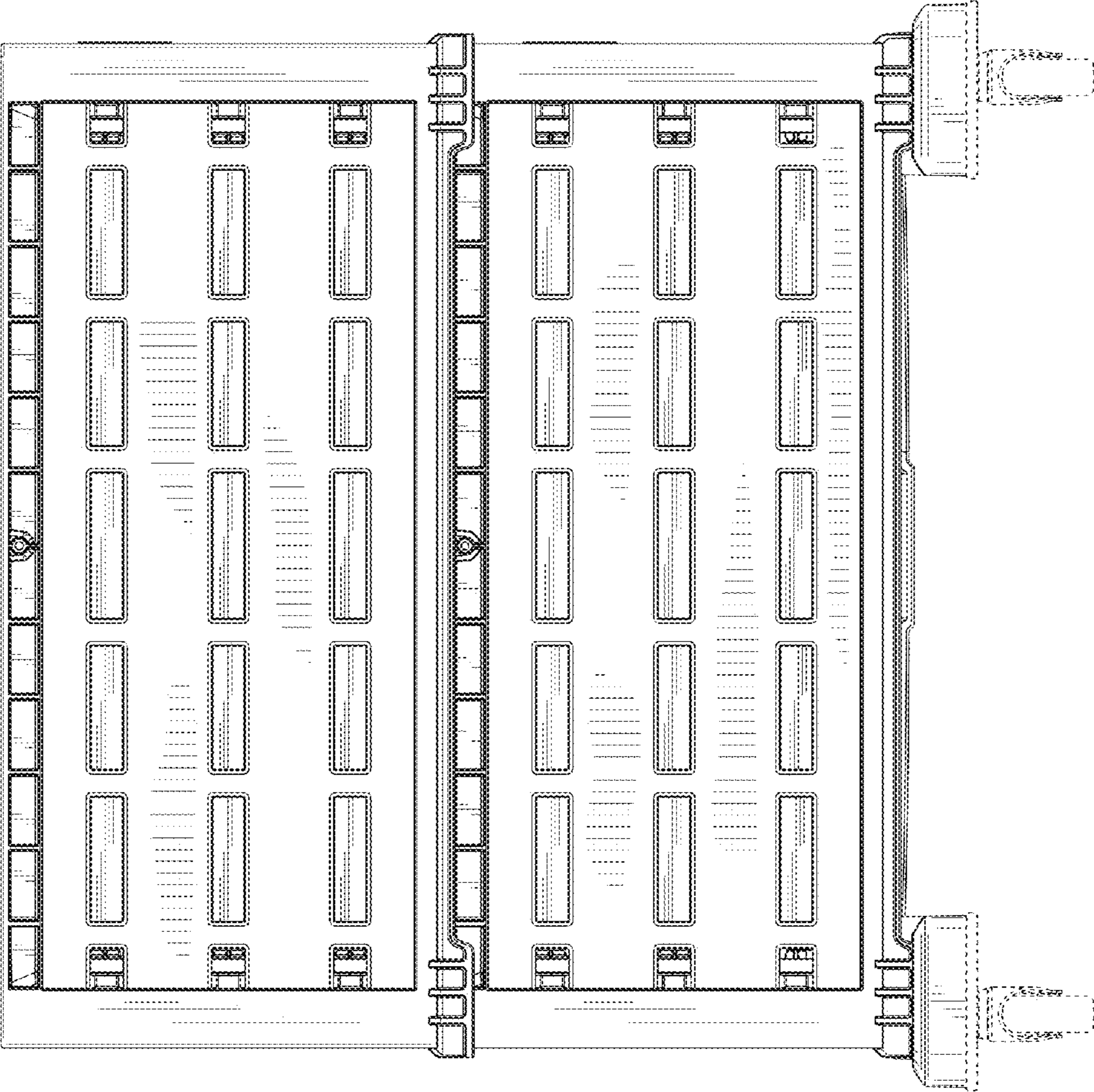
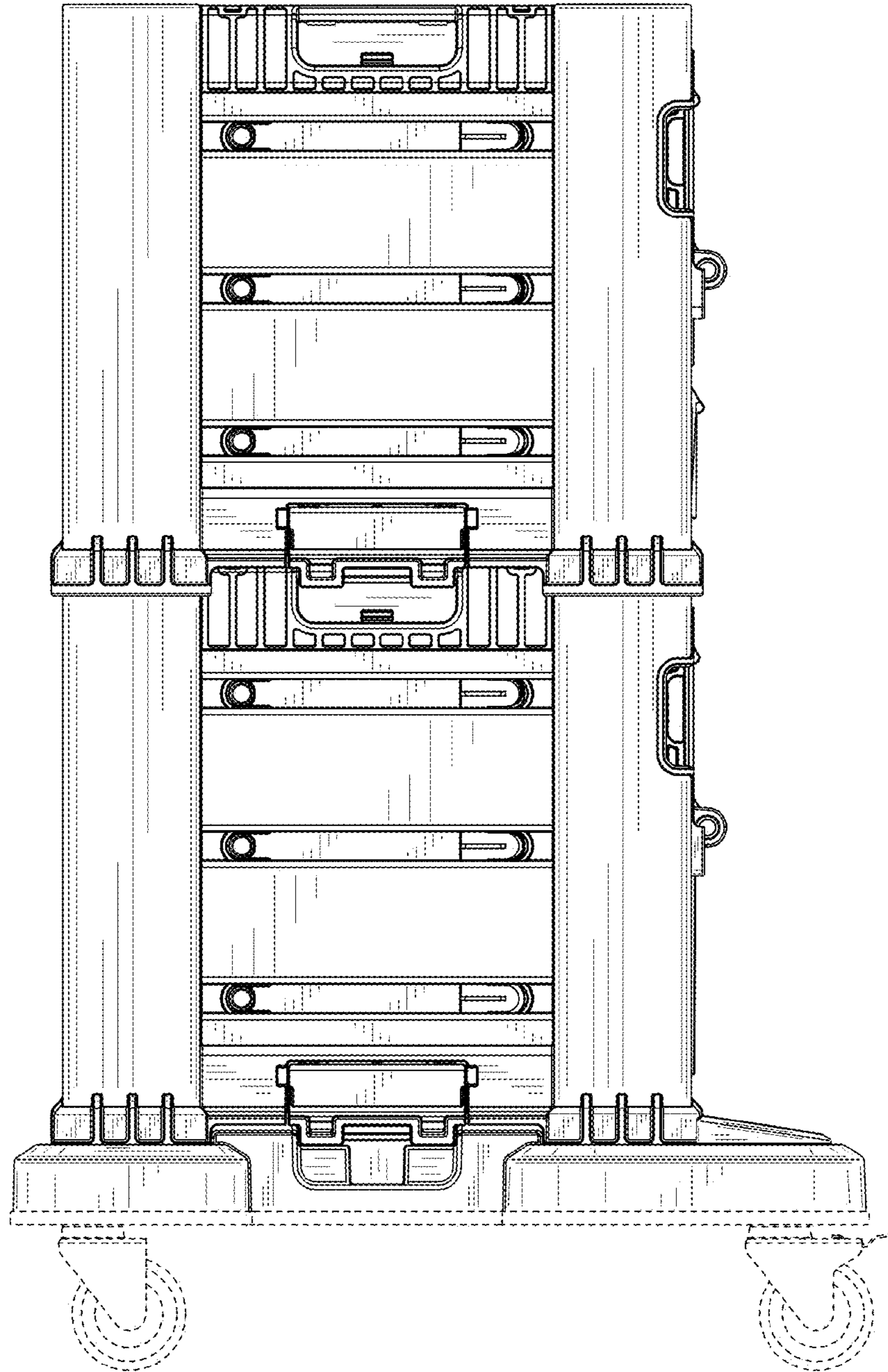
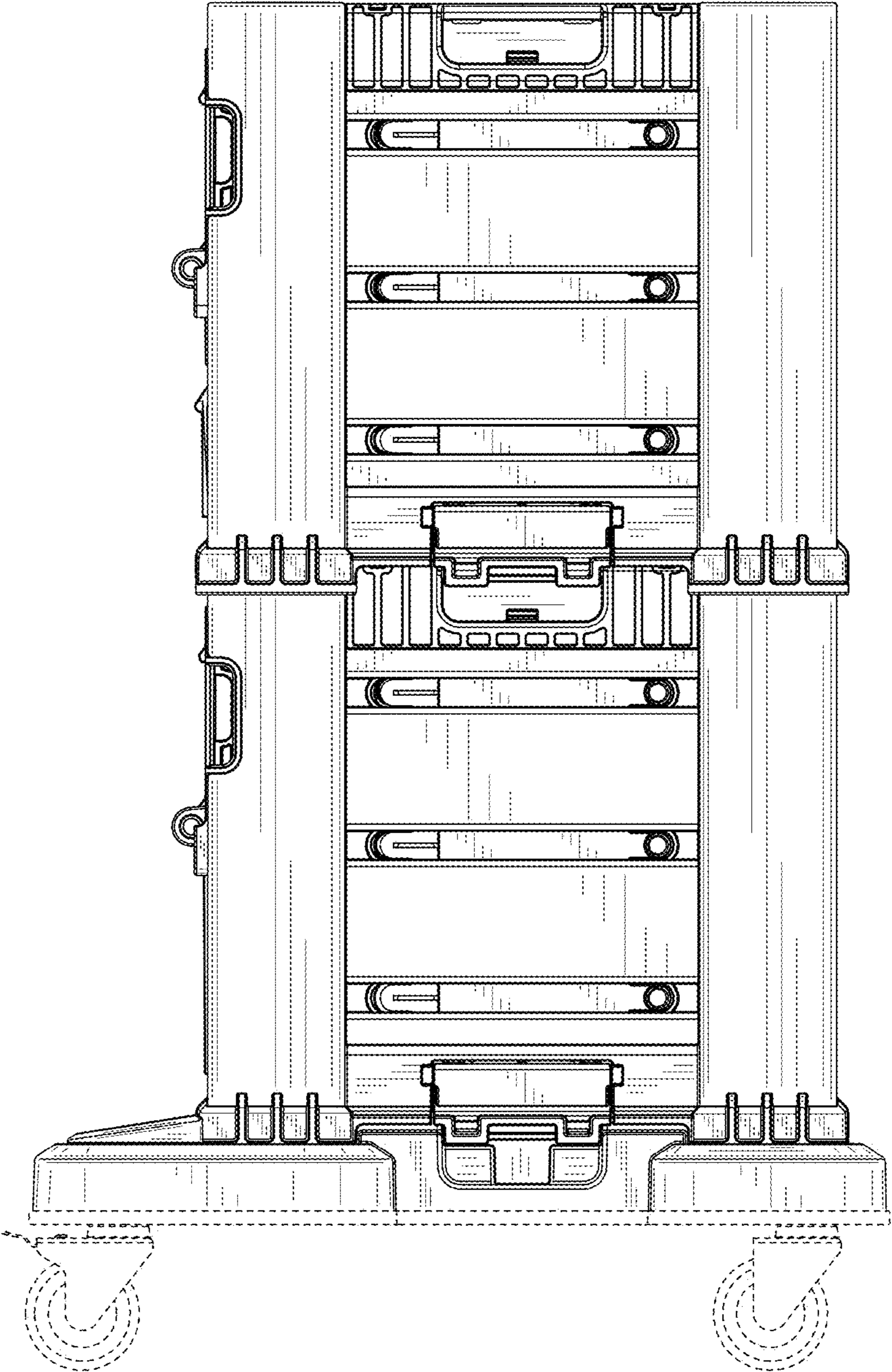


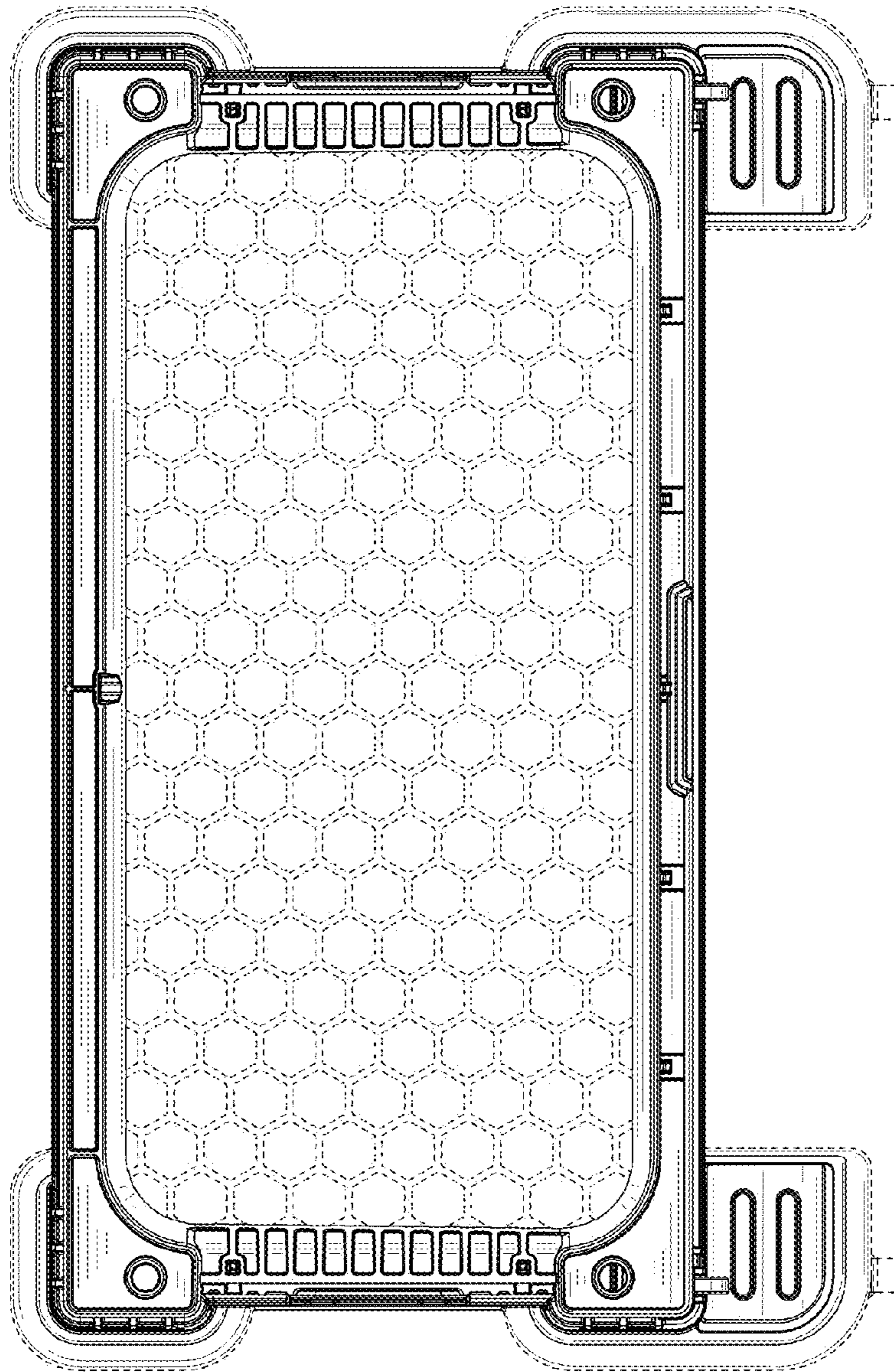
FIG. 9



**FIG. 10**



**FIG. 11**



**FIG. 12**