



US00D730658S

(12) **United States Design Patent**
Dillon et al.

(10) **Patent No.:** **US D730,658 S**
(45) **Date of Patent:** **** Jun. 2, 2015**

(54) **CUSTOMER SERVICE DESK**

(71) Applicant: **DBSI, Inc.**, Chandler, AZ (US)

(72) Inventors: **John Dillon**, Gilbert, AZ (US); **Jim Ransco, II**, Paradise Valley, AZ (US);
John W. Smith, Scottsdale, AZ (US)

(73) Assignee: **DBSI, Inc.**, Chandler, AZ (US)

(**) Term: **14 Years**

(21) Appl. No.: **29/478,816**

(22) Filed: **Jan. 8, 2014**

(51) **LOC (10) Cl.** **06-03**

(52) **U.S. Cl.**
USPC **D6/650; D6/643; D6/652.1**

(58) **Field of Classification Search**
USPC D6/641-643, 650, 650.1, 651, 652,
D6/652.1, 651.1; D14/304, 305
CPC A47B 13/10; A47B 13/12; A47B 17/00;
A47B 21/00; A47B 21/04; A47B 2021/00

See application file for complete search history.

(56) **References Cited**

U.S. PATENT DOCUMENTS

| | | | | | | |
|--------------|----|---|---------|----------------|-------|---------|
| D186,894 | S | * | 12/1959 | Henrikson | | D6/427 |
| D220,767 | S | * | 5/1971 | Power | | D6/421 |
| D253,442 | S | * | 11/1979 | Winig | | D6/426 |
| D281,293 | S | * | 11/1985 | Johnston | | D6/420 |
| D452,391 | S | * | 12/2001 | Efron et al. | | D6/422 |
| 2003/0051415 | A1 | * | 3/2003 | Remelts et al. | | 52/36.1 |
| 2006/0249649 | A1 | * | 11/2006 | Volk et al. | | 248/917 |

* cited by examiner

Primary Examiner — Janice Seeger

(74) *Attorney, Agent, or Firm* — Morgan Law Offices, PLC

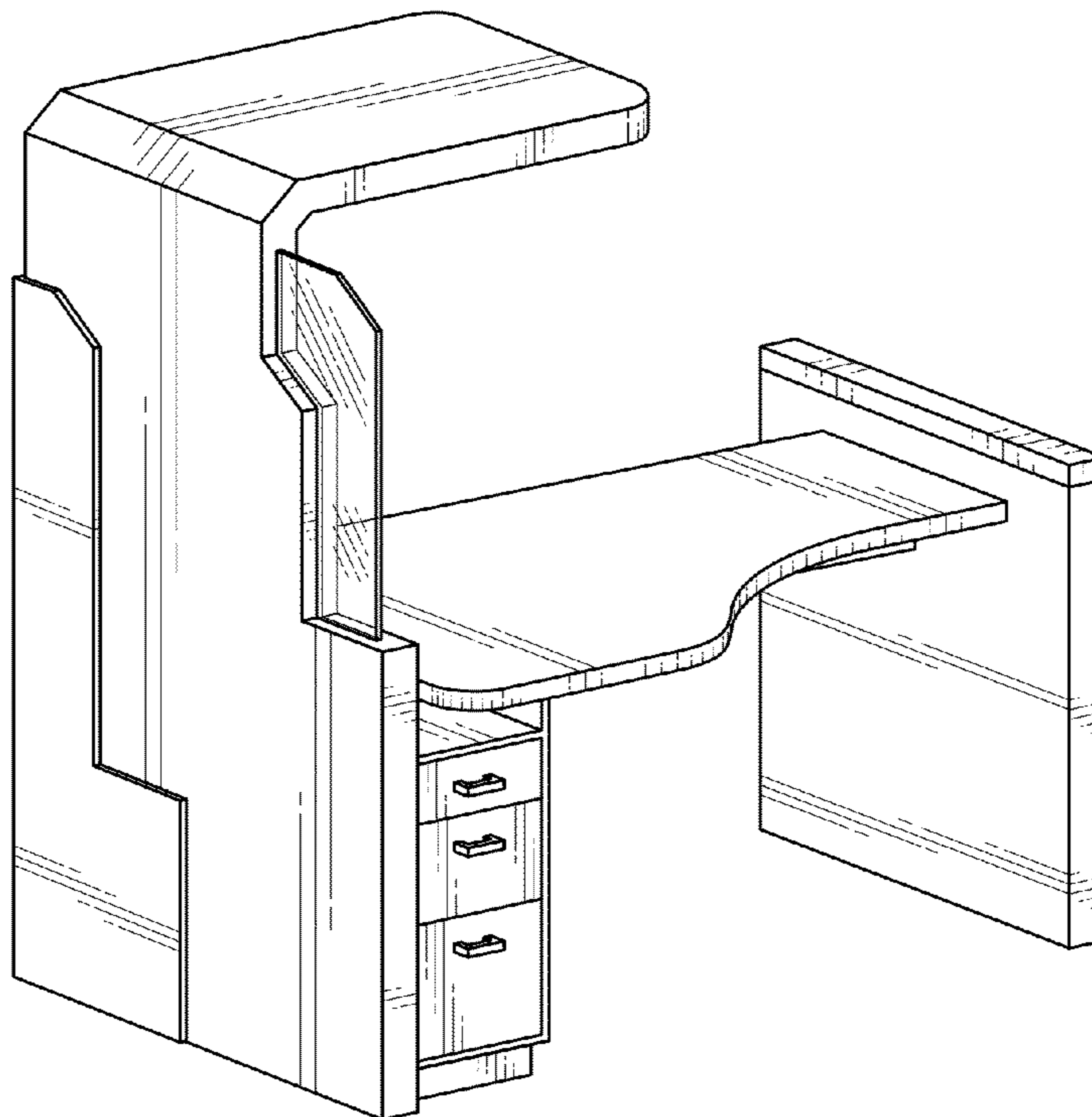
(57) **CLAIM**

The ornamental design for the customer service desk, as shown and described.

DESCRIPTION

FIG. 1 is a perspective view of a customer service desk, showing our new design;
FIG. 2 is a front view thereof;
FIG. 3 is a rear view thereof;
FIG. 4 is a first side view thereof;
FIG. 5 is a second side view thereof;
FIG. 6 is a top plan view thereof; and,
FIG. 7 is a bottom plan view thereof.
Broken lines in the drawings are for illustrative purposes only and form no part of the claimed design.

1 Claim, 4 Drawing Sheets



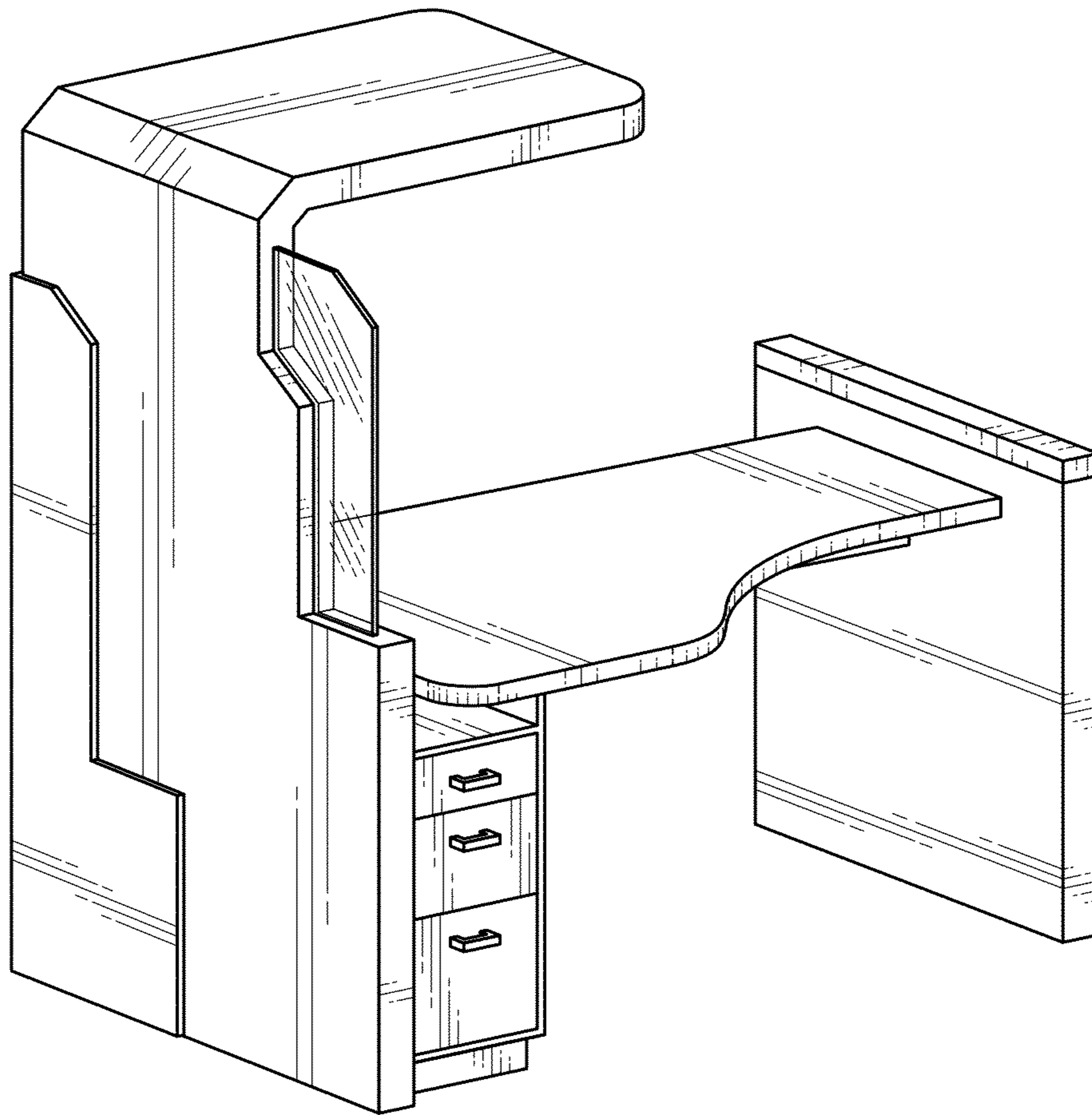


FIG. 1

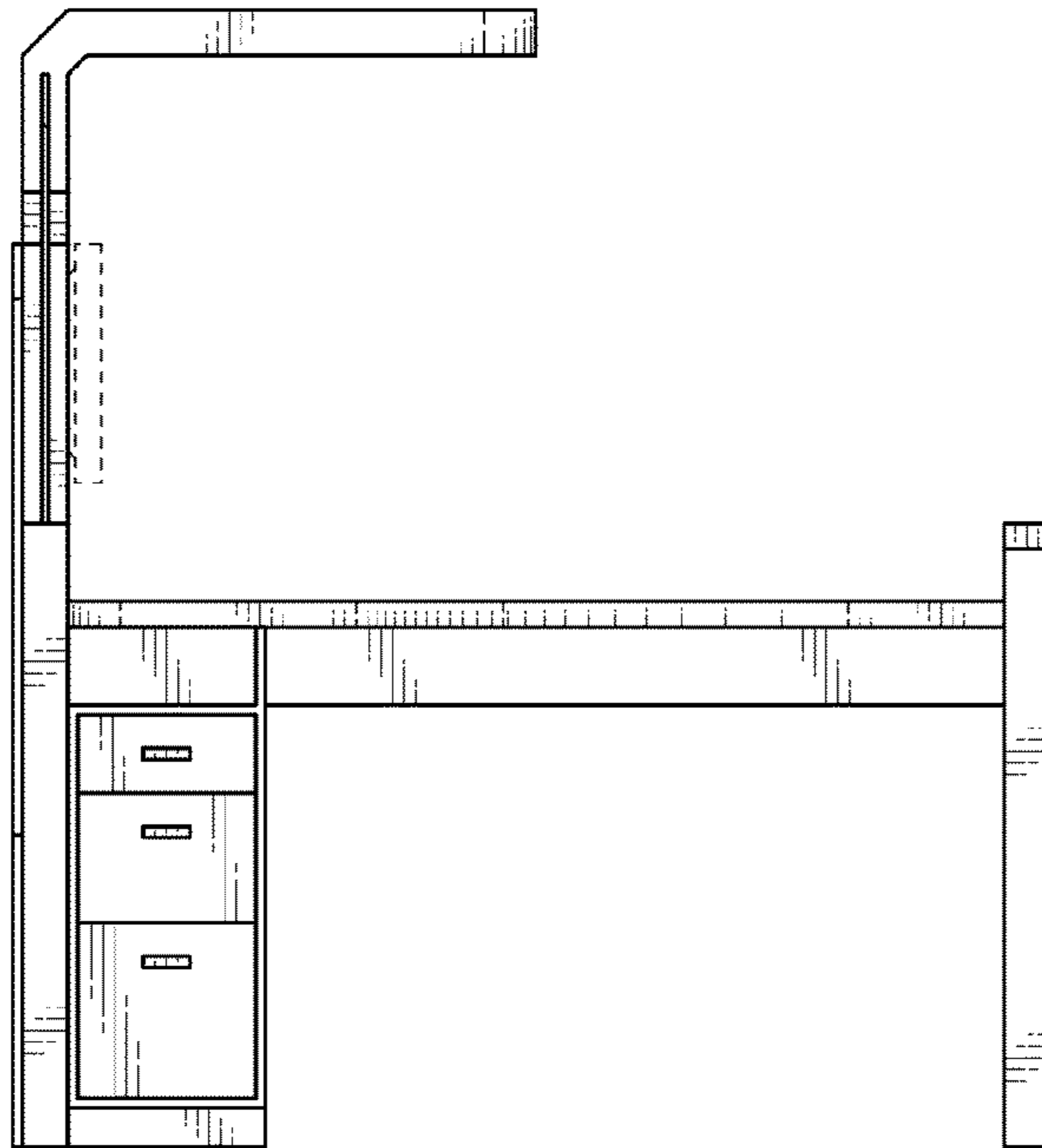


FIG. 2

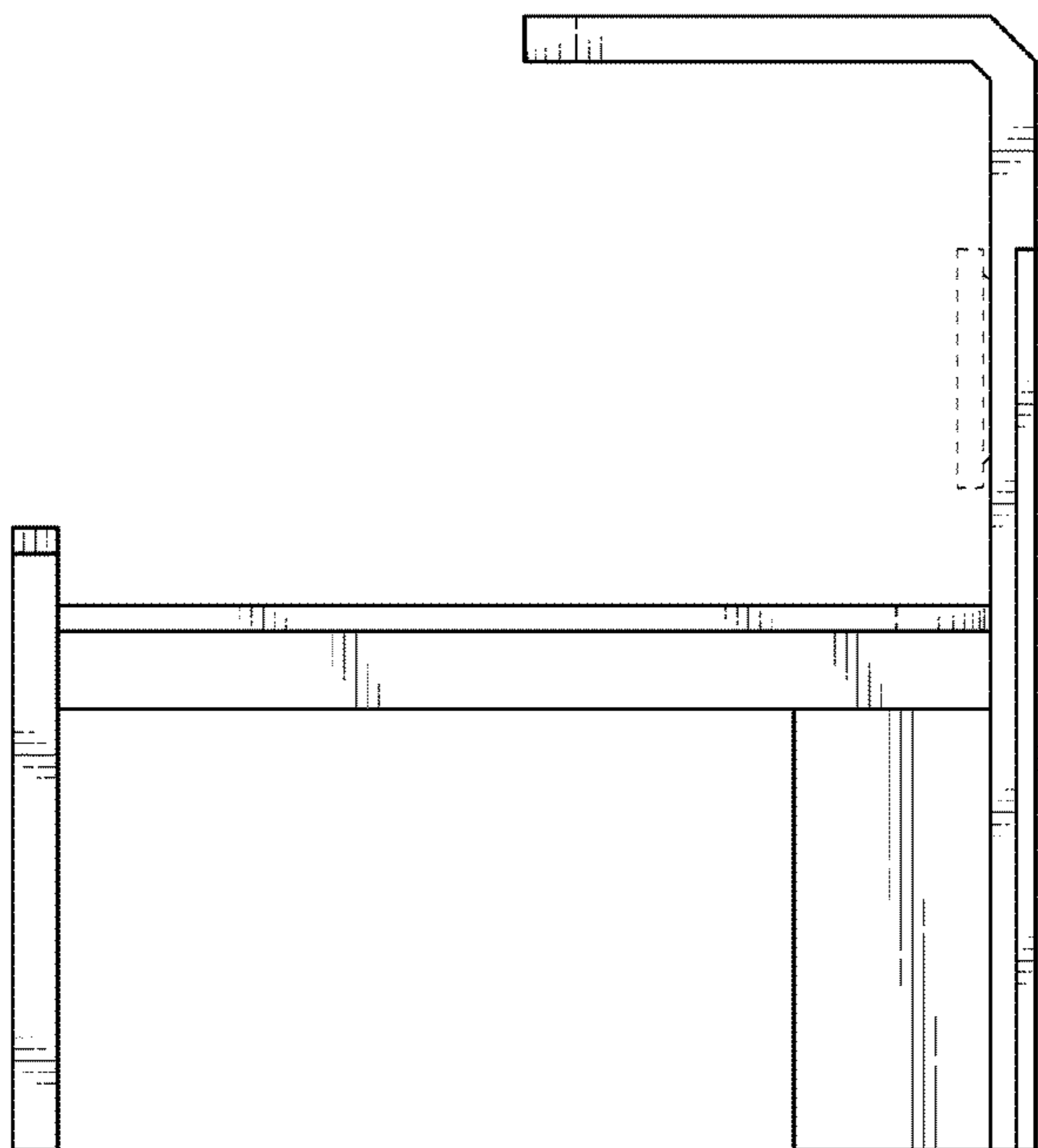


FIG. 3

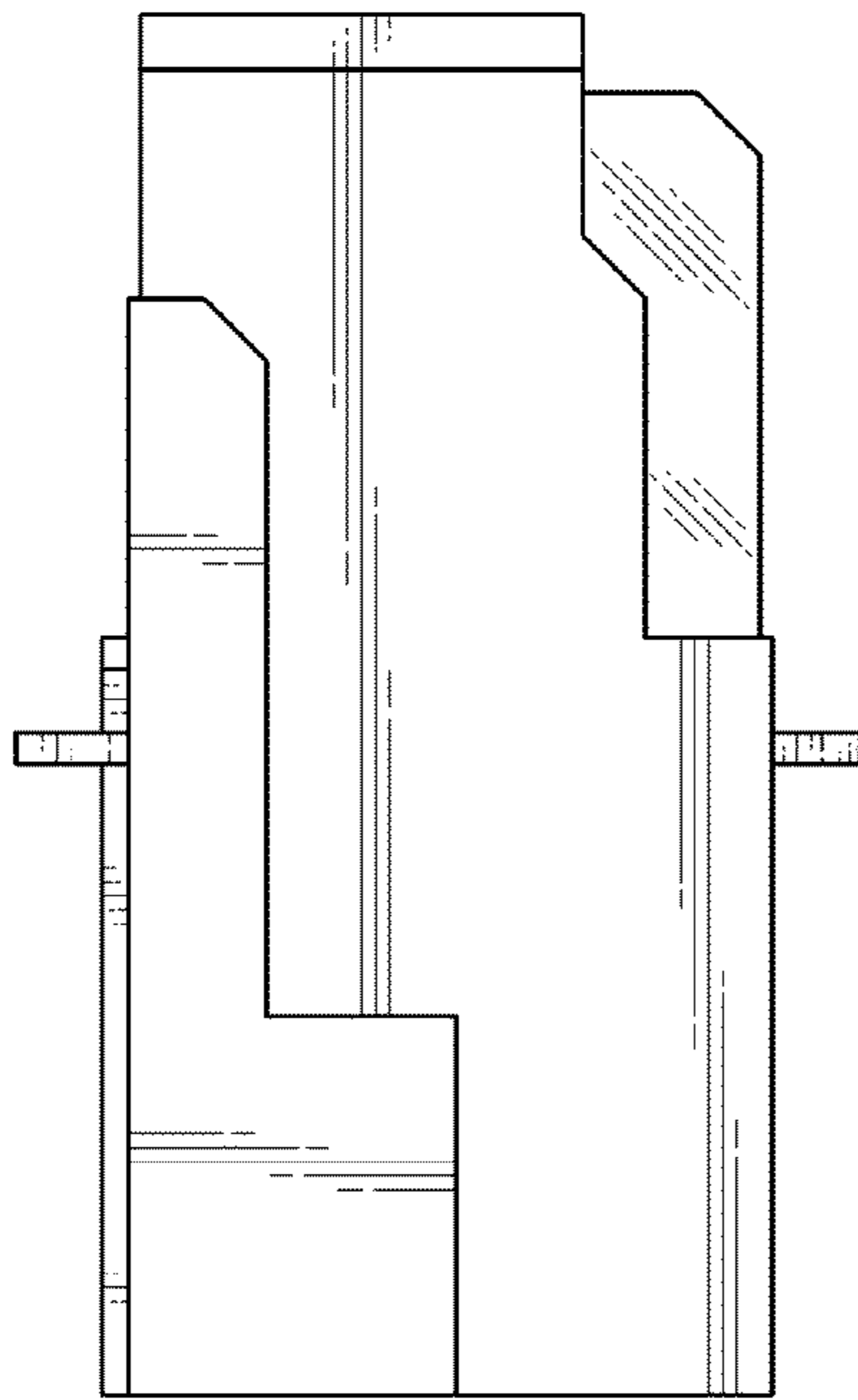


FIG. 4

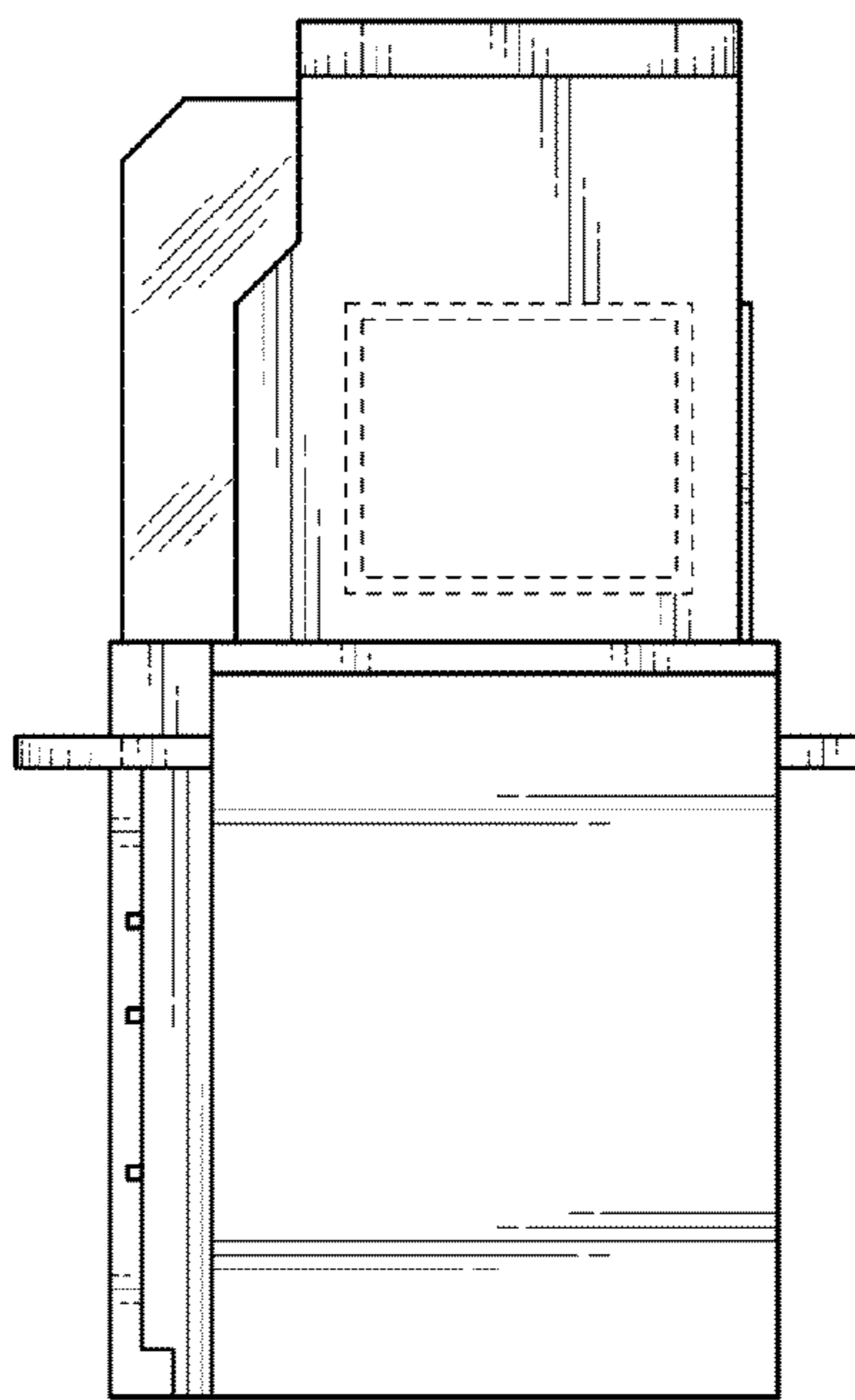


FIG. 5

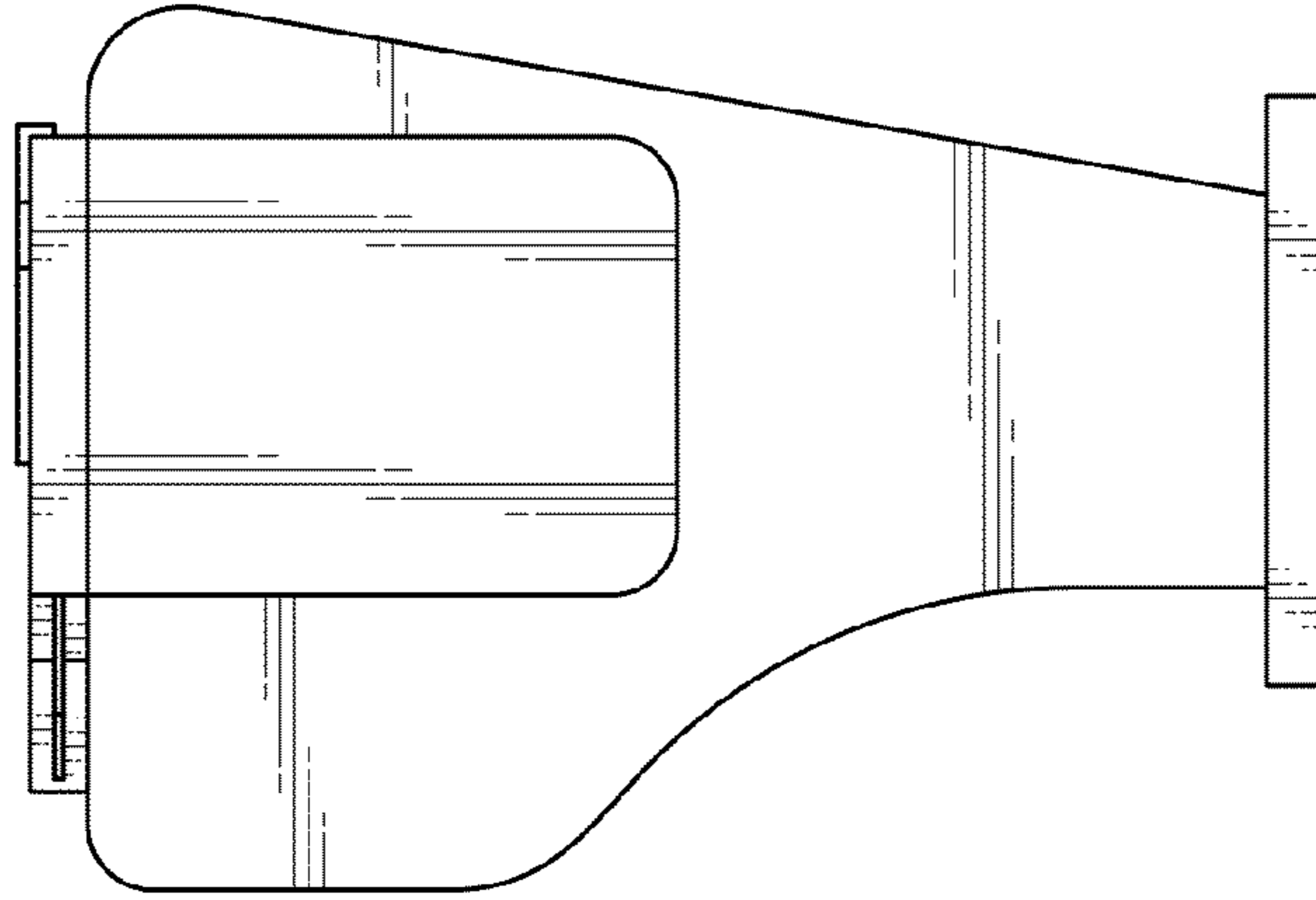


FIG. 6

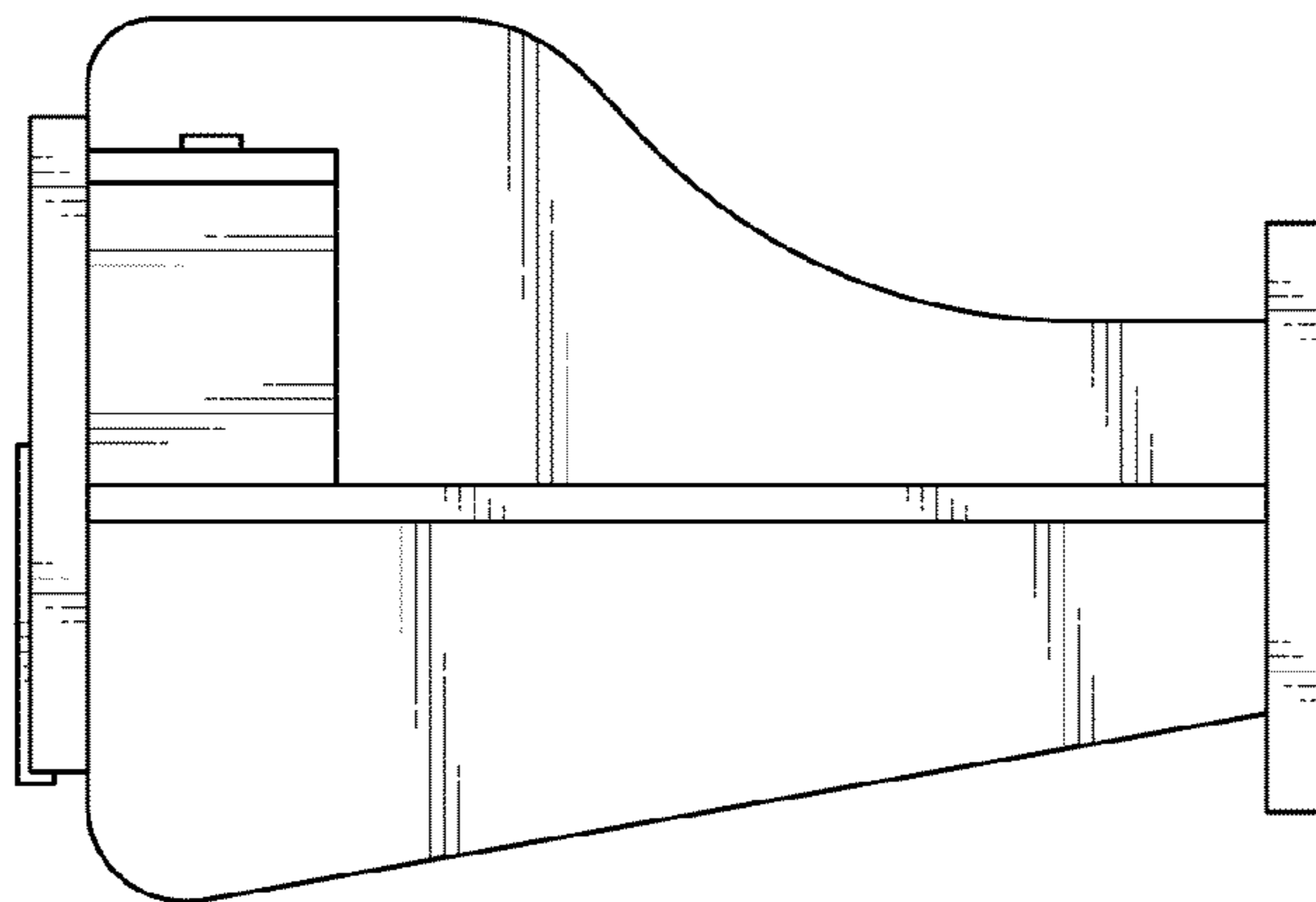


FIG. 7