



US00D730657S

(12) **United States Design Patent**
Corso

(10) **Patent No.:** **US D730,657 S**
(45) **Date of Patent:** **** Jun. 2, 2015**

(54) **CABINET FOR DISPENSING OF ITEMS**

(56) **References Cited**

(71) Applicant: **Steve Corso**, Jupiter, FL (US)

U.S. PATENT DOCUMENTS

(72) Inventor: **Steve Corso**, Jupiter, FL (US)

D362,037 S * 9/1995 Kaye et al. D6/515
D464,221 S * 10/2002 Rieck D6/515
D585,223 S * 1/2009 Rust D6/515
D604,974 S * 12/2009 Morrison et al. D6/515

(73) Assignee: **BENCHMARK ENTERTAINMENT, LC**, Hypoluxo, FL (US)

* cited by examiner

(**) Term: **14 Years**

Primary Examiner — Brian N Vinson

(21) Appl. No.: **29/485,395**

(57) **CLAIM**
The ornamental design for the cabinet for dispensing items, as shown and described.

(22) Filed: **Mar. 18, 2014**

DESCRIPTION

(51) **LOC (10) Cl.** **02-02**

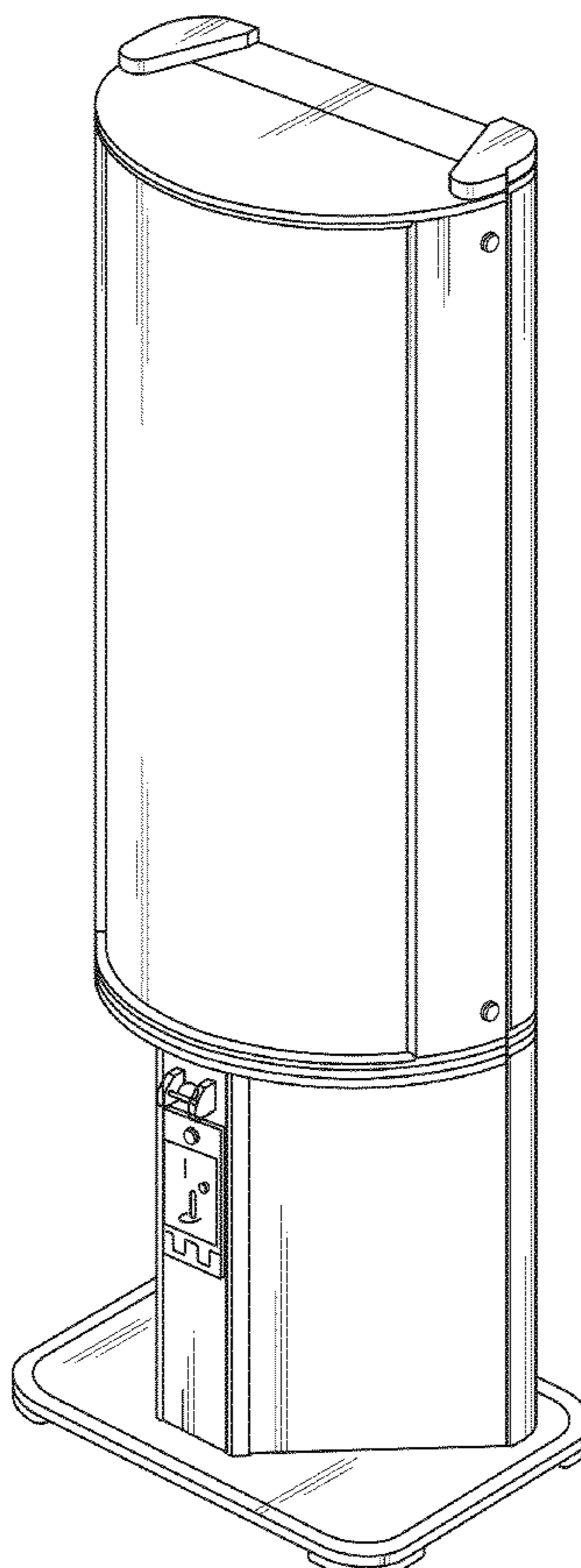
(52) **U.S. Cl.**
USPC **D6/515**

(58) **Field of Classification Search**
USPC D6/515-523; 206/389, 391; 211/13.1, 211/16, 44, 49.1, 50, 59.2, 86.01; 222/173, 222/181.1; 221/282, 283; 312/34, 34.8, 312/34.22, 309.1

FIG. 1 is a perspective view of the present invention;
FIG. 2 is a front view in elevation thereof;
FIG. 3 is a right side view in elevation thereof;
FIG. 4 is a left side view in elevation thereof;
FIG. 5 is a top plan view thereof;
FIG. 6 is a bottom plan view thereof; and,
FIG. 7 is a rear view in elevation thereof.
The lines shown within the outline of the body of the device in FIGS. 1-6 depict the contours of the device. All surface ornamentation depicted in the Figures, such as shading and reflections is disclaimed and forms no part of the claimed design.

See application file for complete search history.

1 Claim, 6 Drawing Sheets



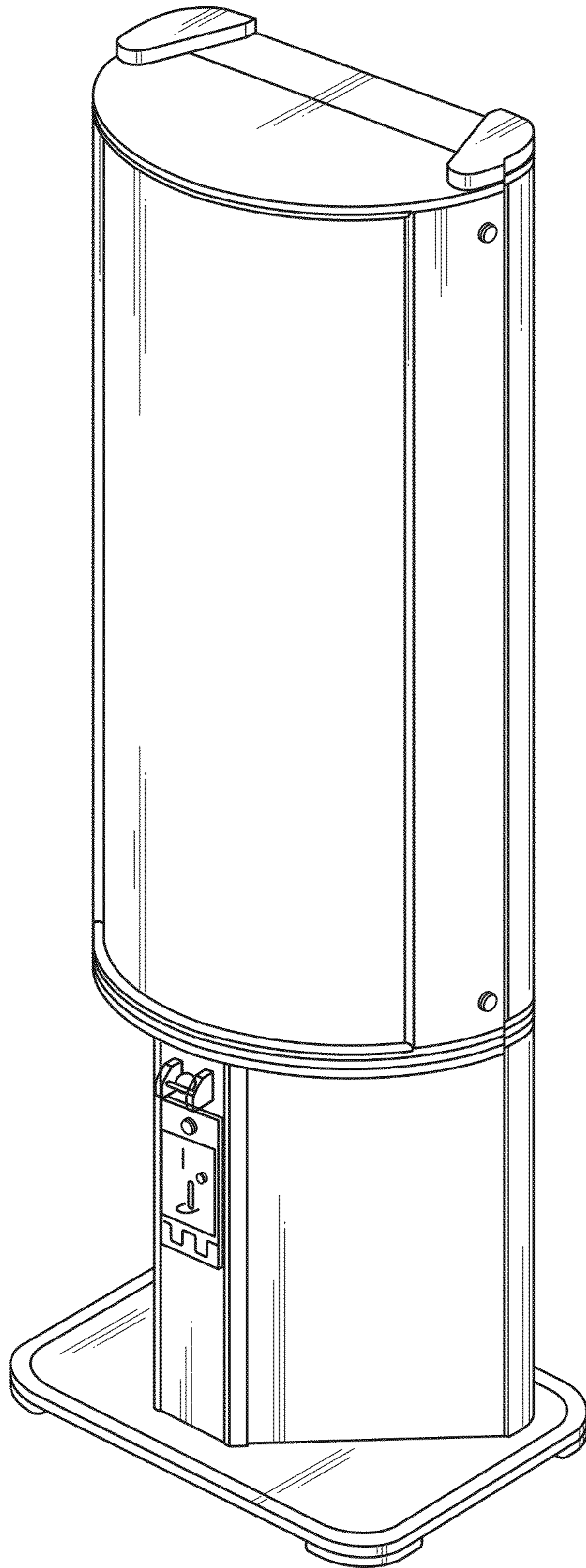


FIG. 1

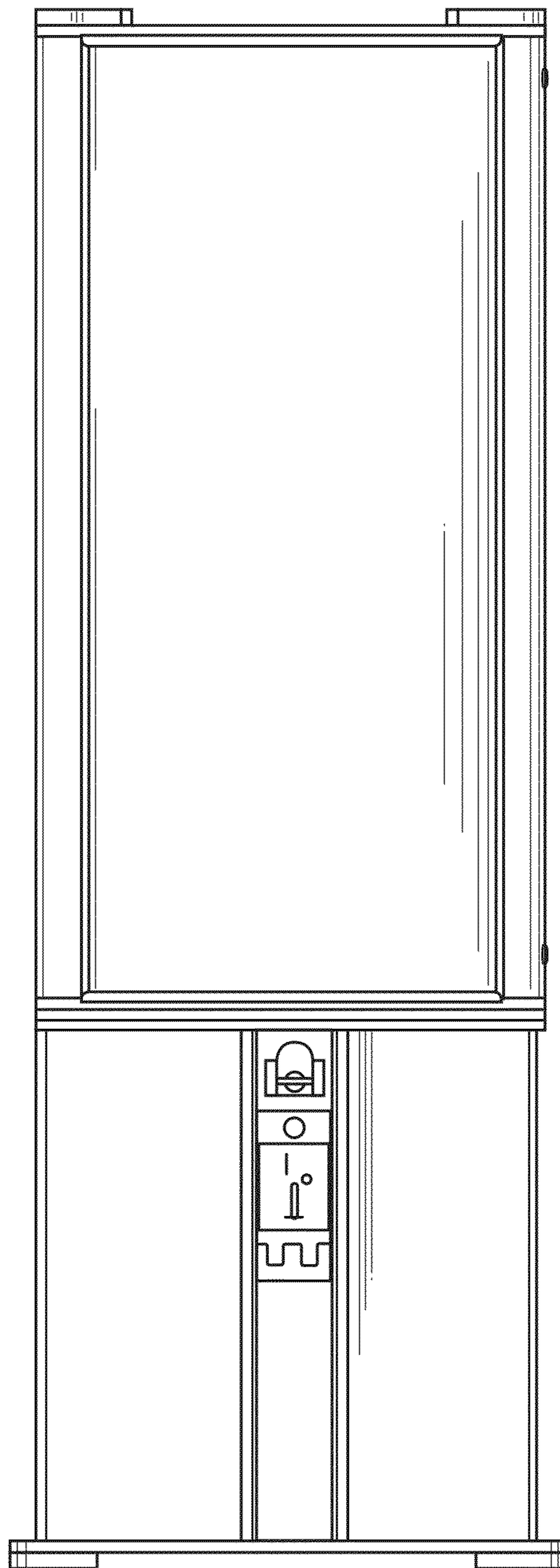


FIG. 2

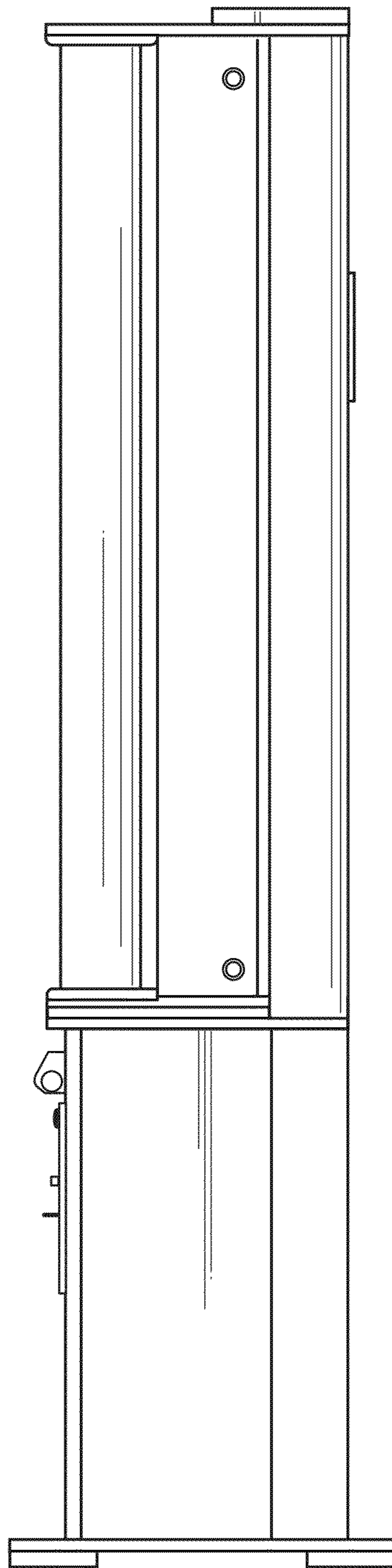


FIG. 3

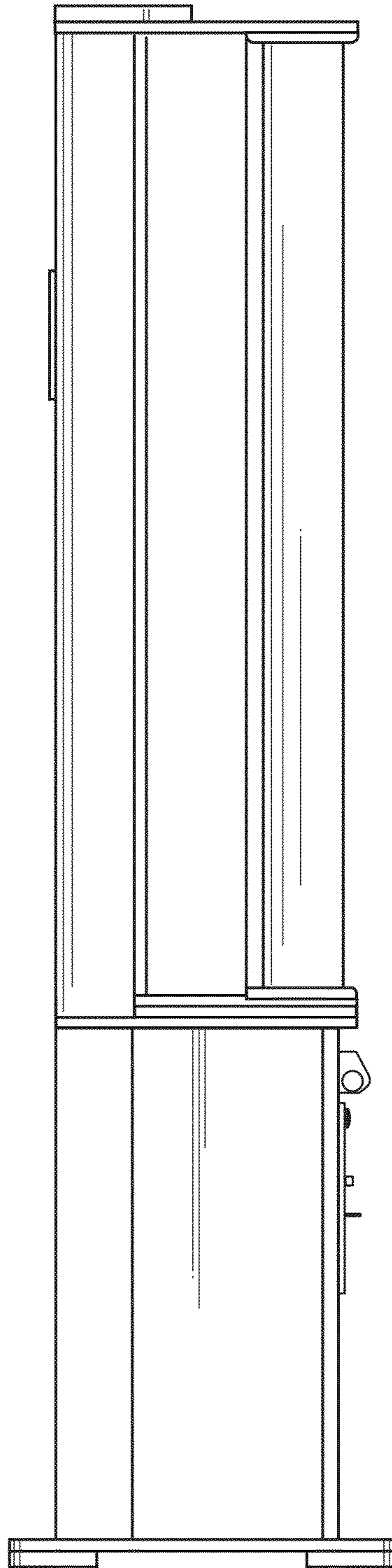


FIG. 4

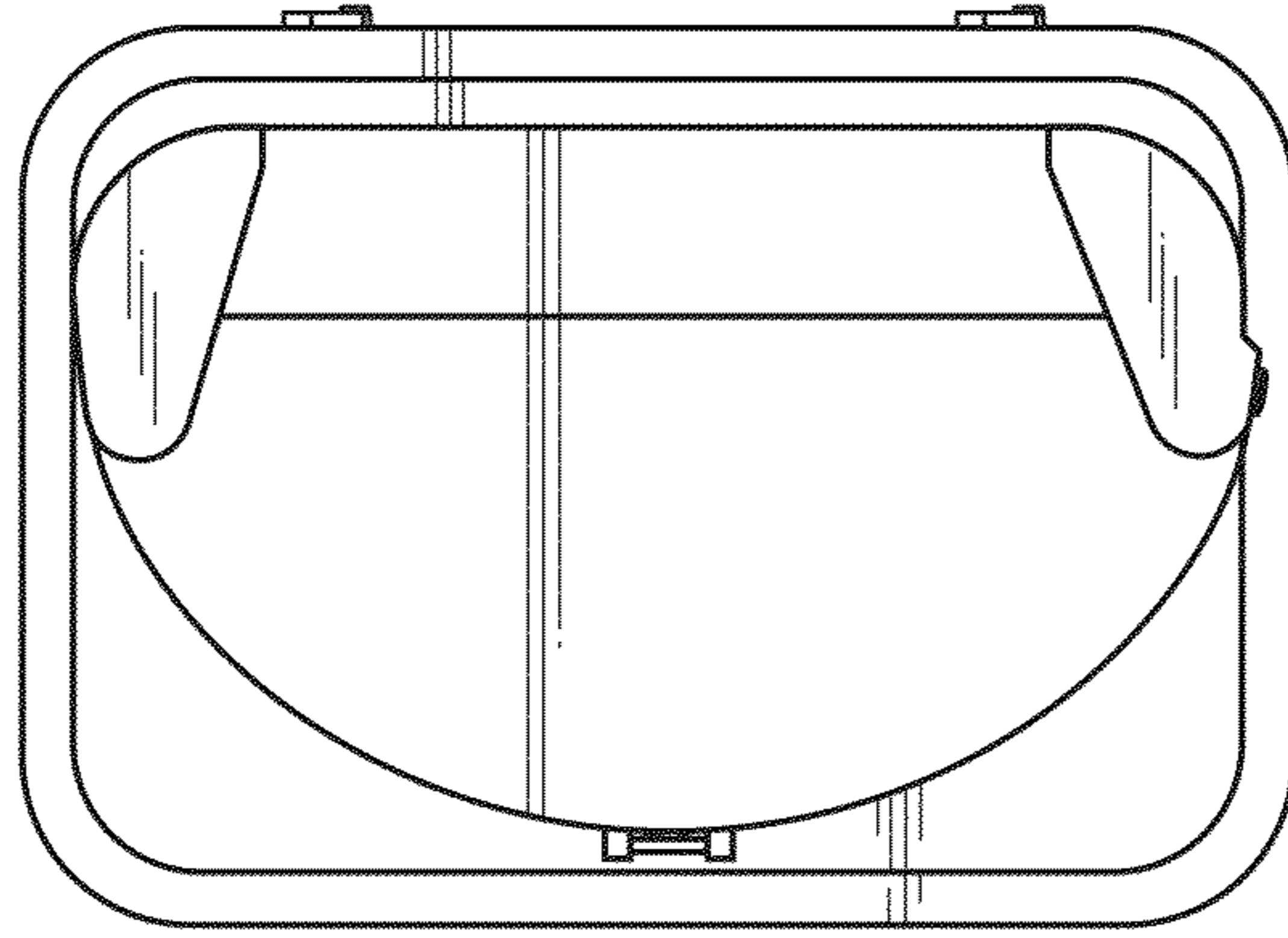


FIG. 5

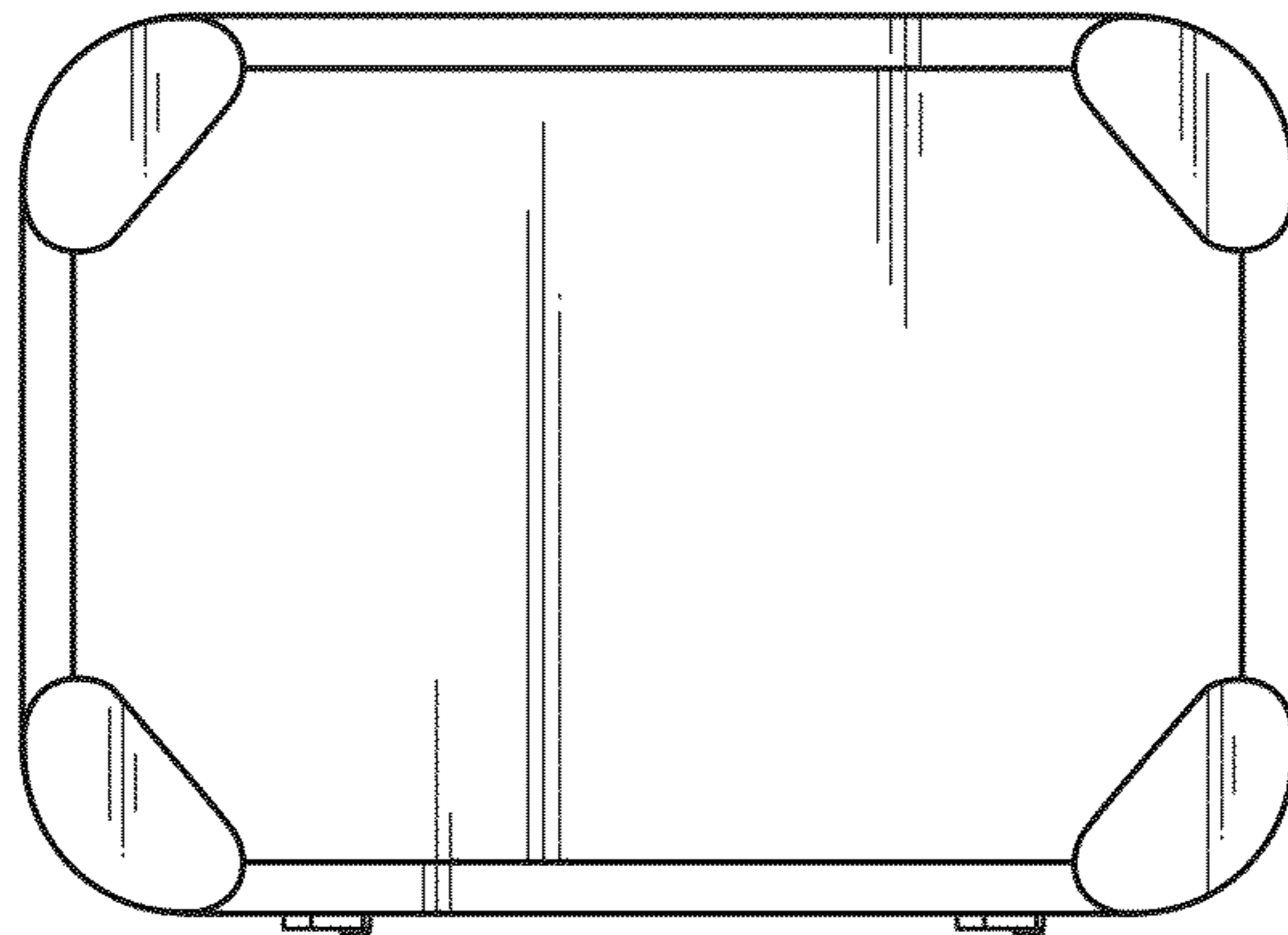


FIG. 6

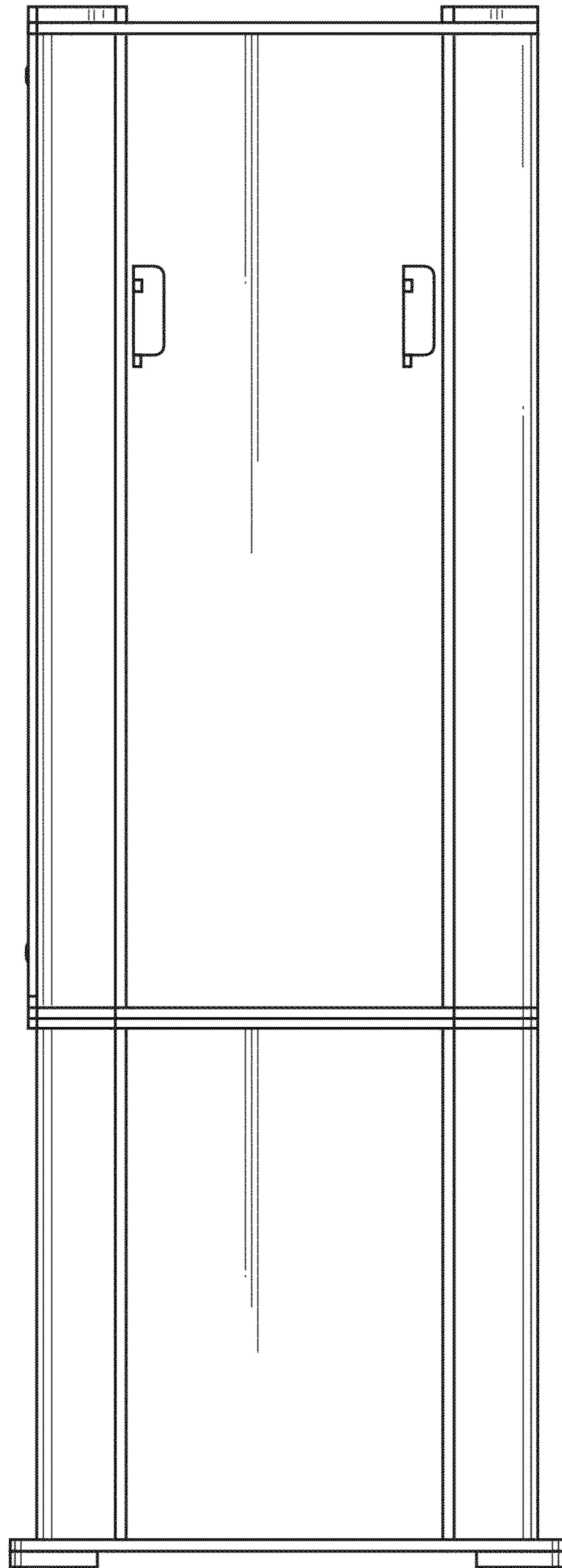


FIG. 7