



US00D730655S

(12) **United States Design Patent**
Altoon

(10) **Patent No.:** **US D730,655 S**
(45) **Date of Patent:** **** Jun. 2, 2015**

(54) **GEOMETRIC CHAIR**

(71) Applicant: **Emily Altoon**, Los Angeles, CA (US)

(72) Inventor: **Emily Altoon**, Los Angeles, CA (US)

(**) Term: **14 Years**

(21) Appl. No.: **29/467,780**

(22) Filed: **Sep. 24, 2013**

(51) **LOC (10) Cl.** **06-01**

(52) **U.S. Cl.**
USPC **D6/373**

(58) **Field of Classification Search**
USPC D6/334-336, 371, 373, 374, 375, 716,
D6/716.1, 716.4; 297/440.18, 445.1,
297/446.1, 448.1, 452.18
CPC A47C 4/028; A47C 4/02; A47C 4/03;
A47C 5/04; A47C 7/021; A47C 7/18; B60N
2/68

See application file for complete search history.

(56) **References Cited**

U.S. PATENT DOCUMENTS

3,749,444 A * 7/1973 Persson et al. A47C 5/04
3,820,845 A * 6/1974 Persson A47C 5/04

D245,821 S * 9/1977 Piper et al. D6/373
4,049,314 A * 9/1977 McGaffin A47C 4/02
4,164,356 A * 8/1979 Knight A47C 4/028
4,188,067 A * 2/1980 Elmer A47C 4/03
4,234,227 A * 11/1980 Faust A47C 4/03
D347,124 S * 5/1994 Lowsky D6/373

* cited by examiner

Primary Examiner — Mimose De

(74) *Attorney, Agent, or Firm* — Raymond Y. Chan; David and Raymond Patent Firm

(57) **CLAIM**

The ornamental design for a geometric chair, as shown and described.

DESCRIPTION

FIG. 1 is a front view of geometric chair showing my new design.

FIG. 2 is a rear view thereof.

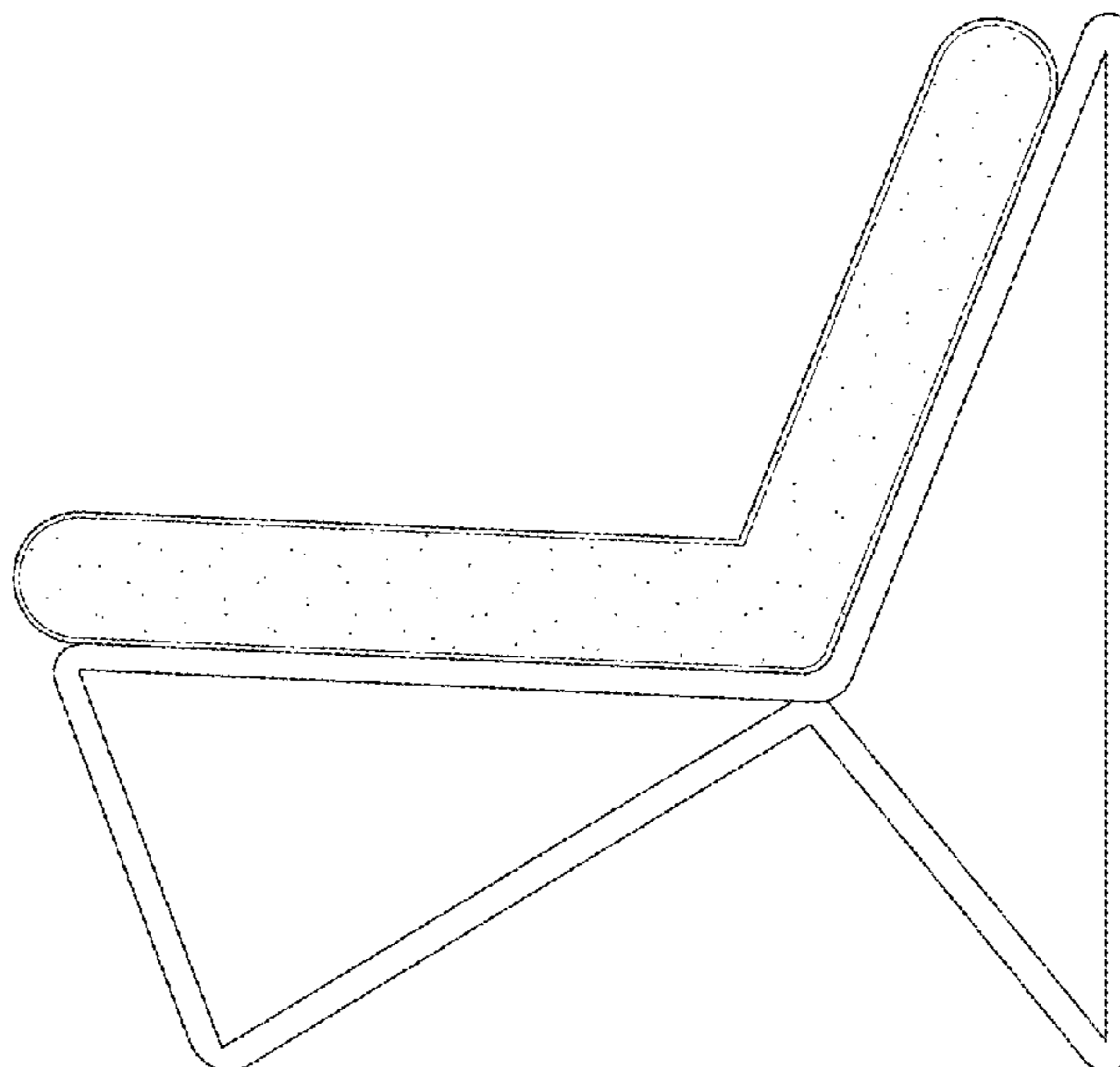
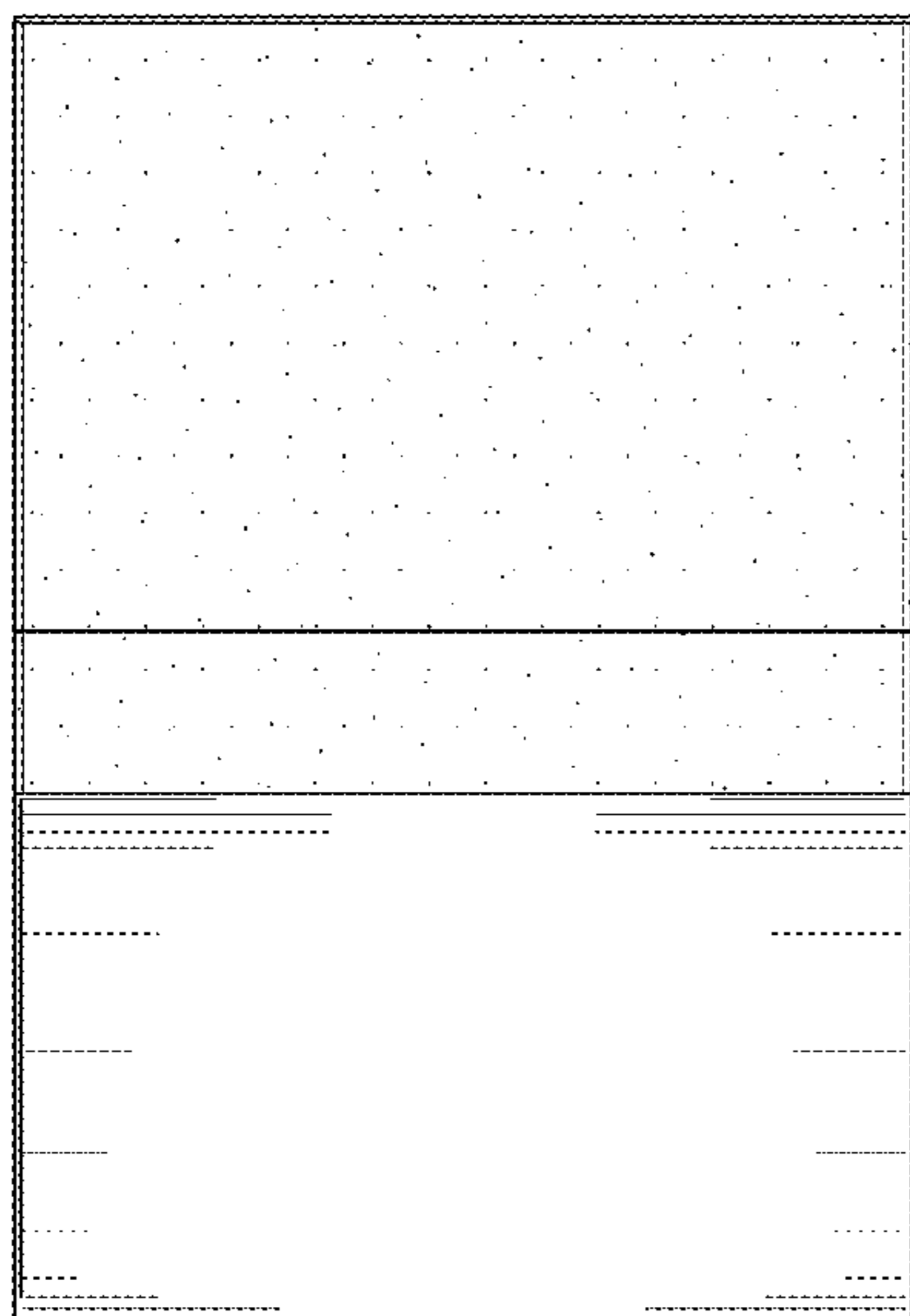
FIG. 3 is a left end view thereof.

FIG. 4 is a right view thereof.

FIG. 5 is a top view thereof; and,

FIG. 6 is a bottom view thereof.

1 Claim, 3 Drawing Sheets



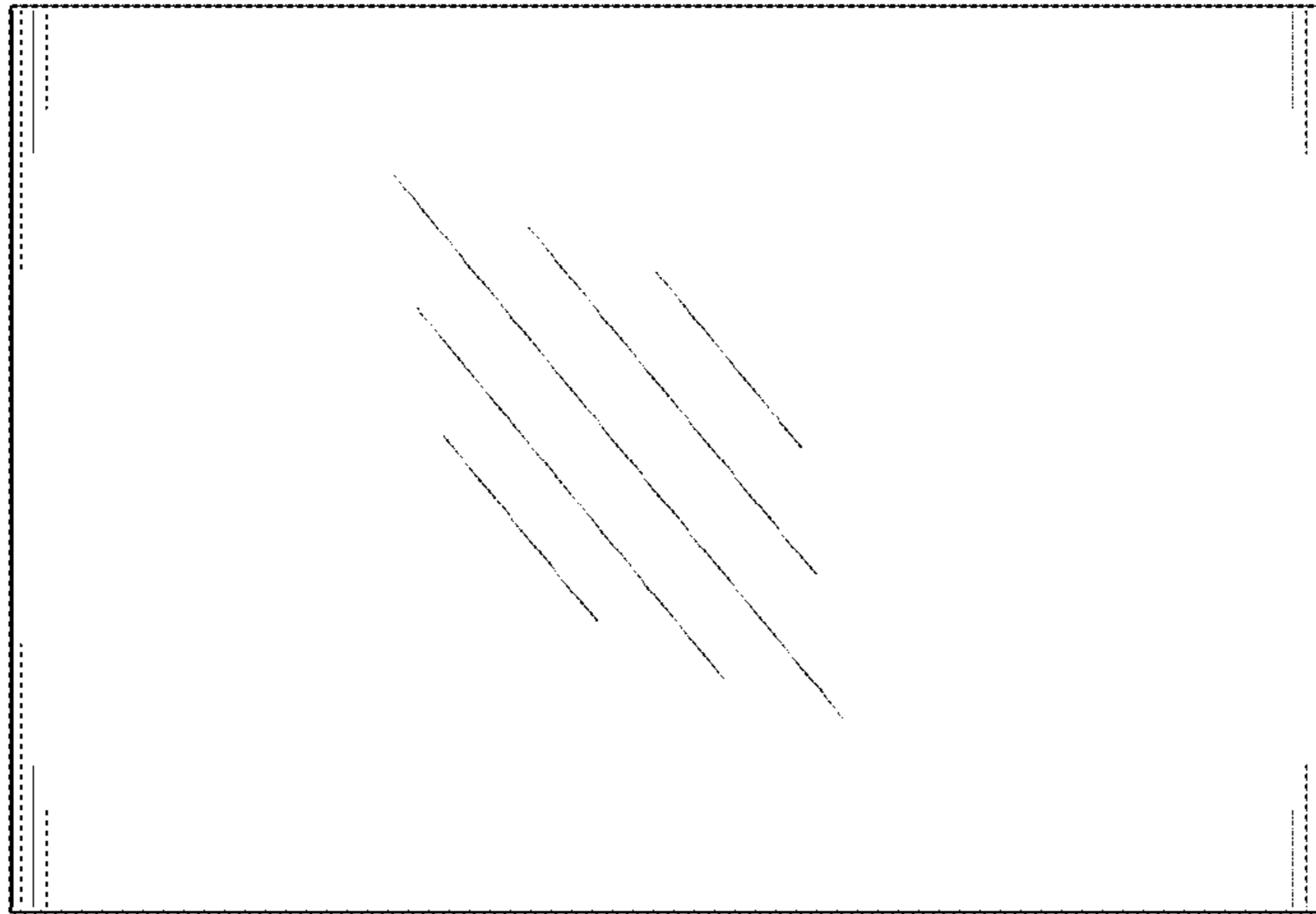


FIG. 2

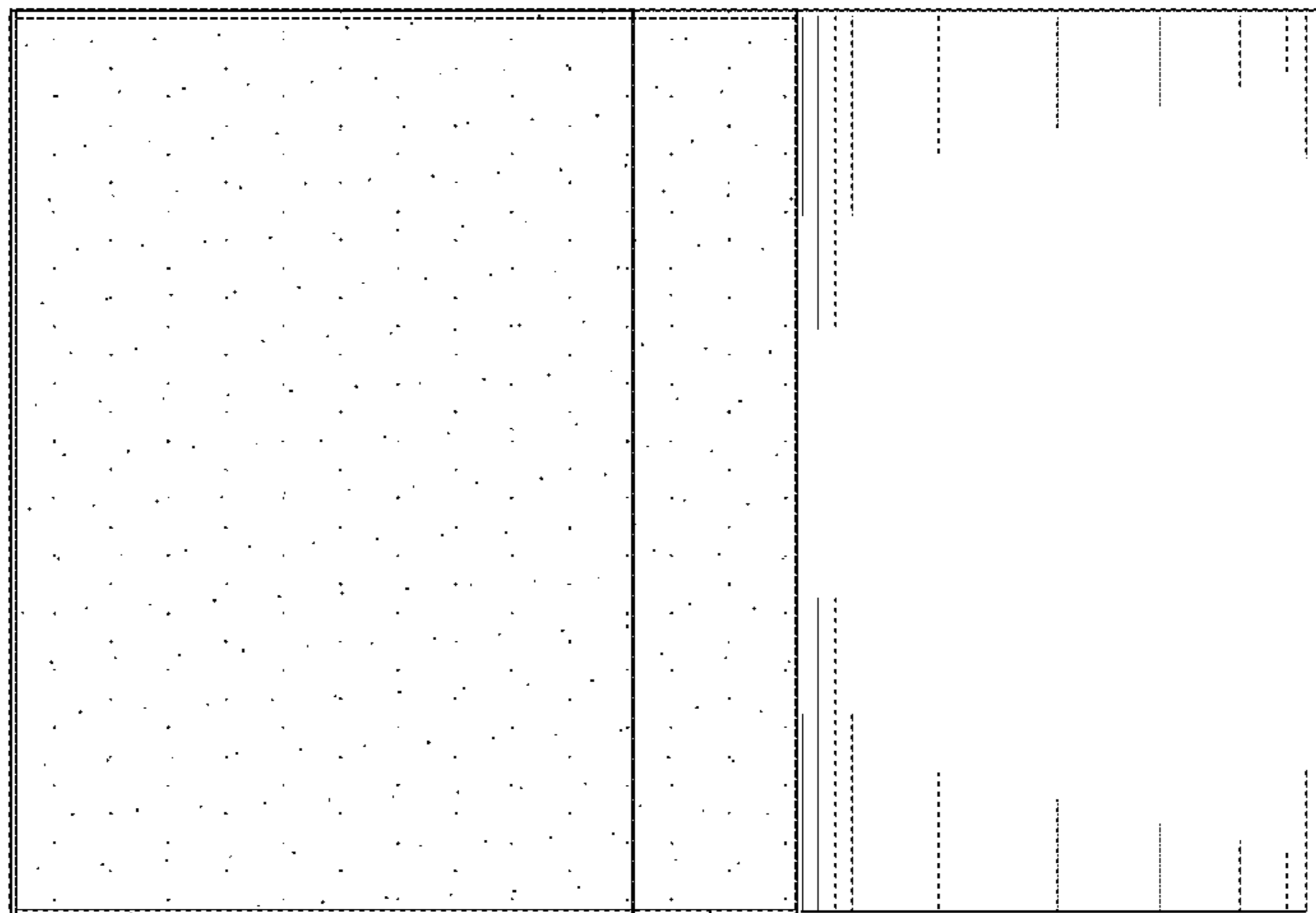


FIG. 1

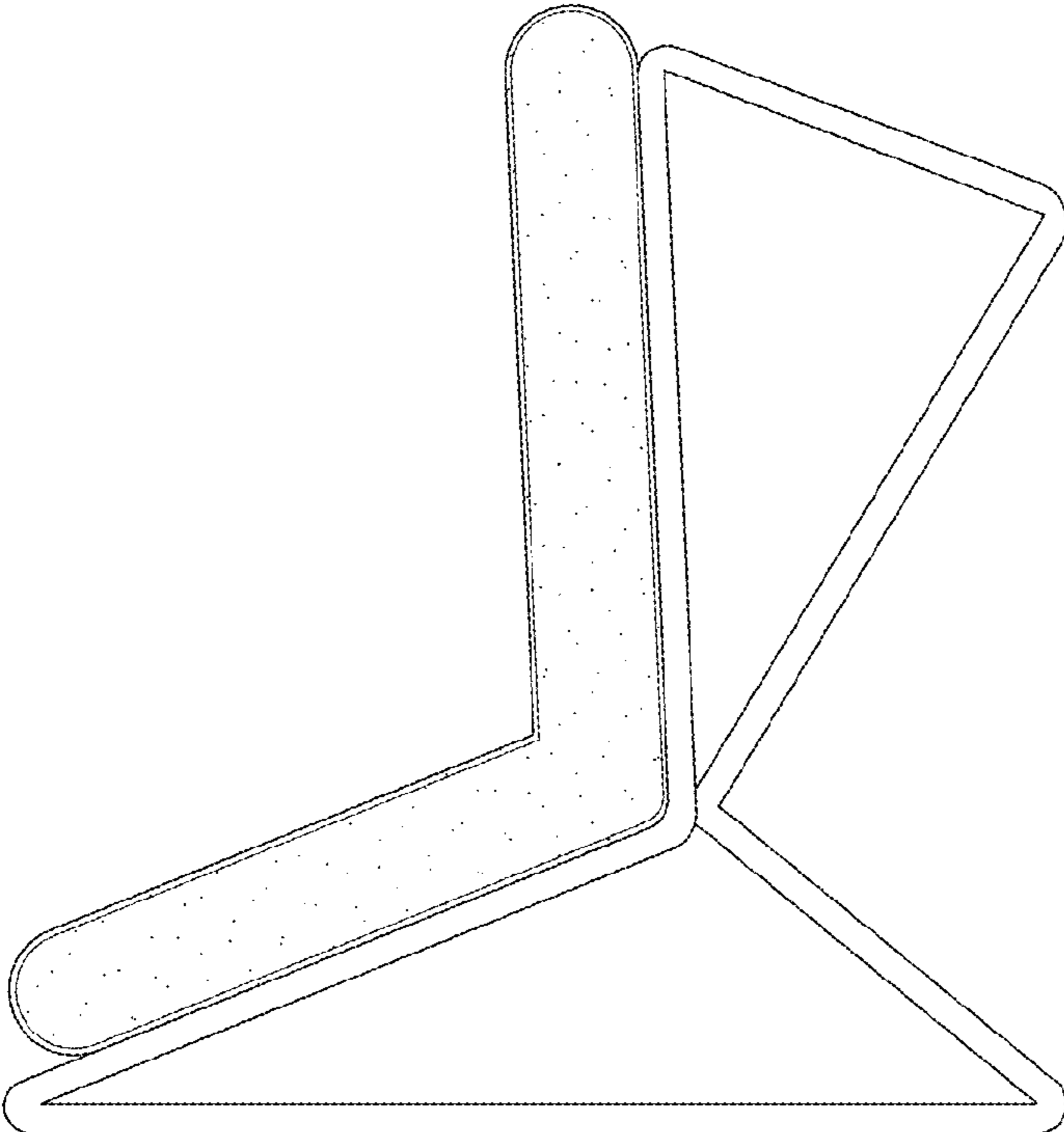


FIG.3

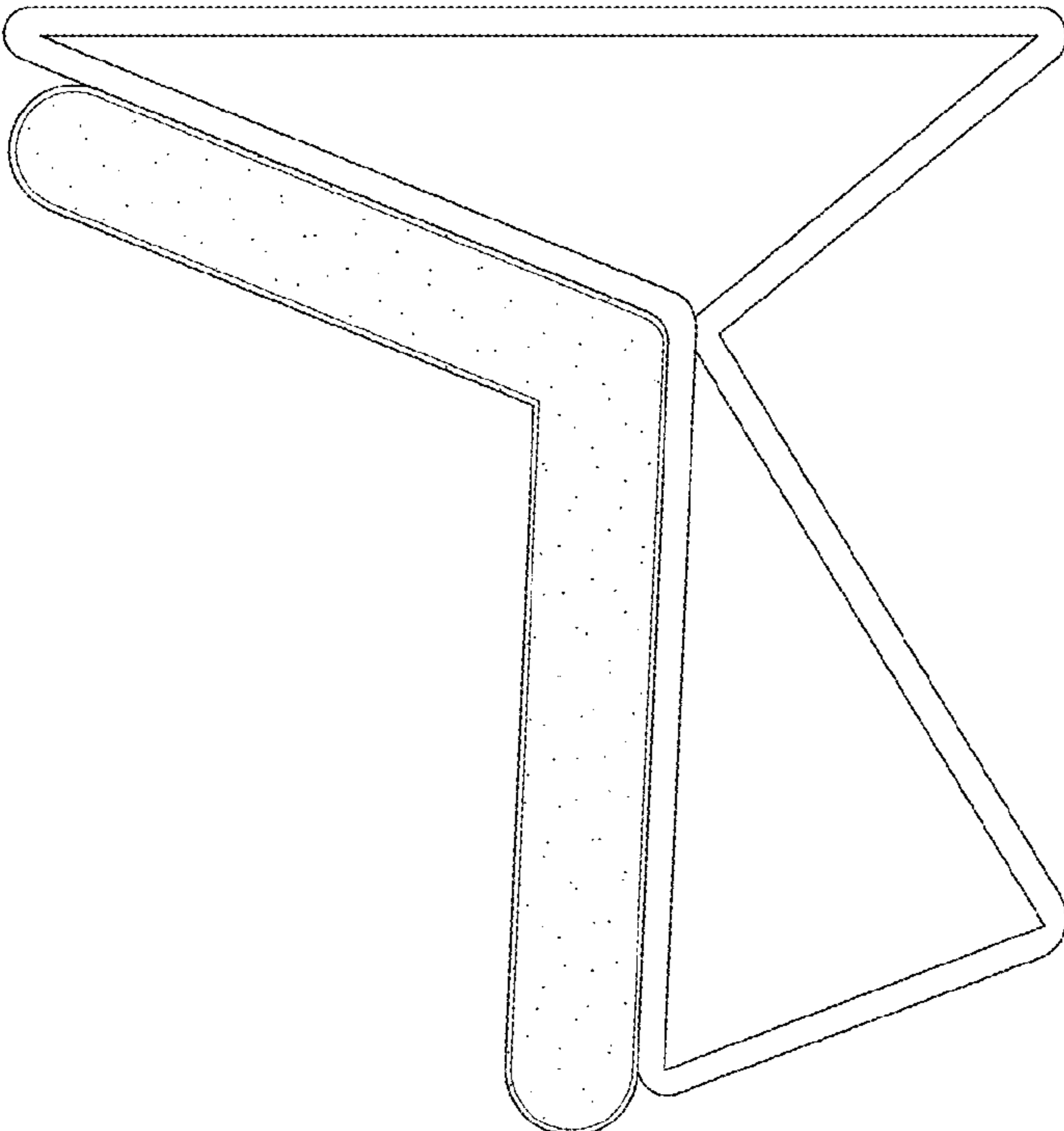


FIG.4

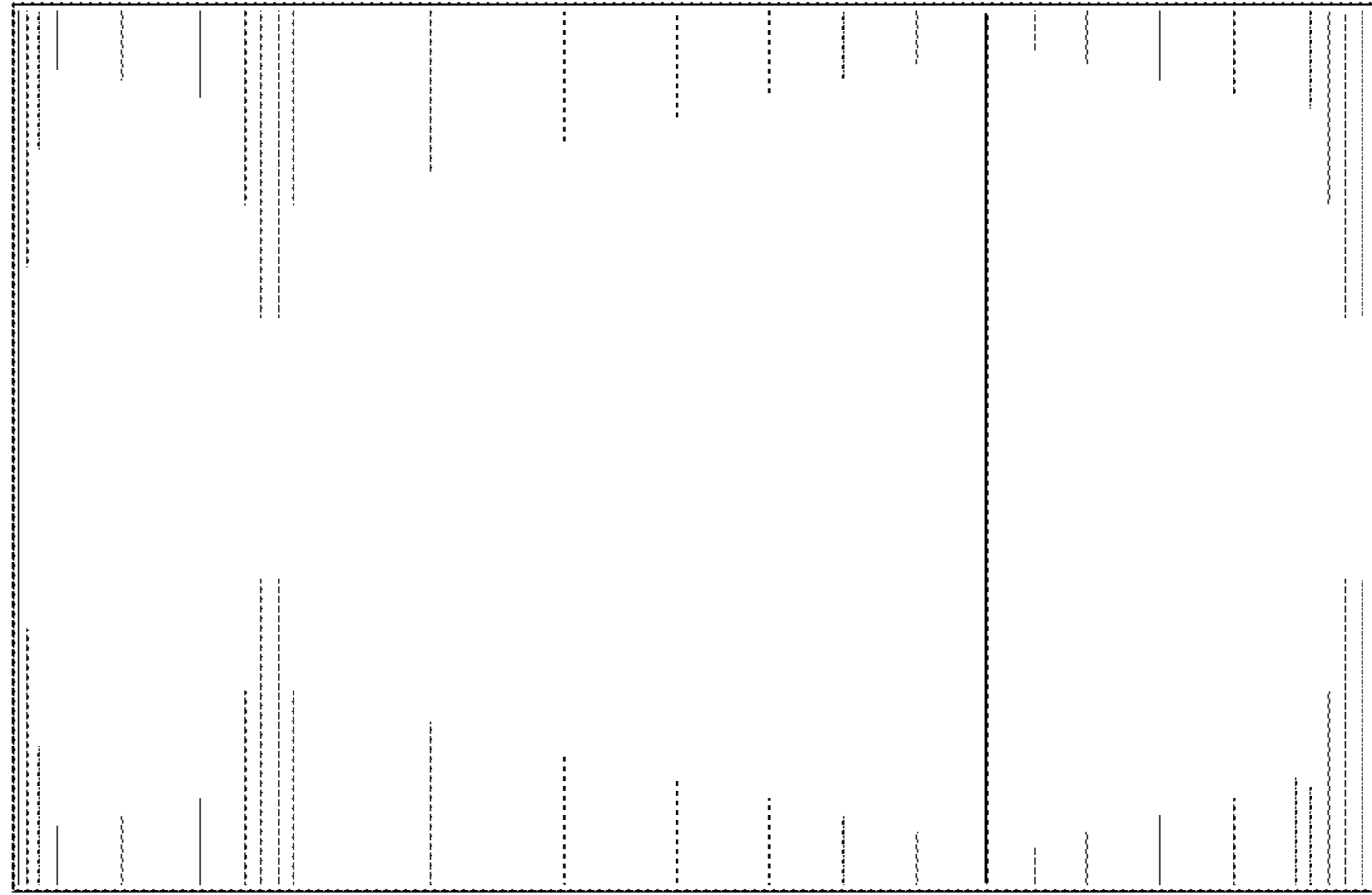


FIG.6

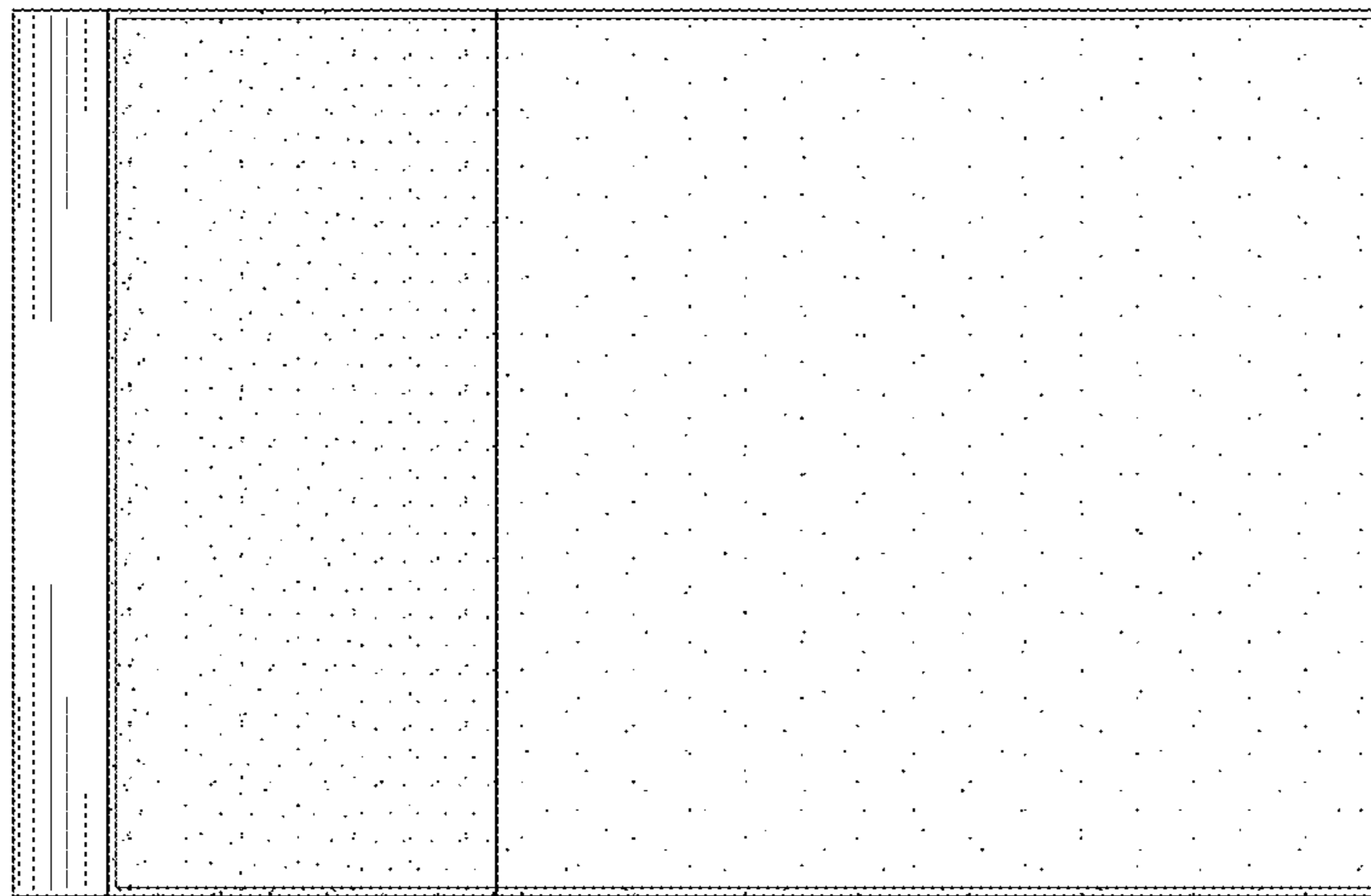


FIG.5