

US00D730654S

(12) **United States Design Patent**
Lammens

(10) **Patent No.:** **US D730,654 S**
(45) **Date of Patent:** **** Jun. 2, 2015**

(54) **CHAIR**

(56) **References Cited**

(71) Applicant: **Albert Lodewijk Jan Lammens,**
Kalmthout (BE)

(72) Inventor: **Albert Lodewijk Jan Lammens,**
Kalmthout (BE)

(**) Term: **14 Years**

(21) Appl. No.: **29/475,897**

(22) Filed: **Dec. 9, 2013**

(51) **LOC (10) Cl.** **06-01**

(52) **U.S. Cl.**
USPC **D6/364**

(58) **Field of Classification Search**
USPC D6/334–336, 361, 364, 365, 366, 367,
D6/374, 375, 716, 716.1, 716.2, 716.3,
D6/716.4
CPC A47C 1/032; A47C 3/18; A47C 4/028;
A47C 7/004; A47C 7/022; A47C 7/18;
A47C 7/24

See application file for complete search history.

U.S. PATENT DOCUMENTS

D197,058 S *	12/1963	Beckman	D6/365
D226,644 S *	4/1973	Kogoj et al.	D6/365
D322,369 S *	12/1991	Laird	D6/364
D448,940 S *	10/2001	Chi	D6/365
D509,371 S *	9/2005	Natuzzi	D6/361
D559,570 S *	1/2008	Higgs et al.	D6/364
8,979,201 B2 *	3/2015	Erb et al.	A47C 1/032

* cited by examiner

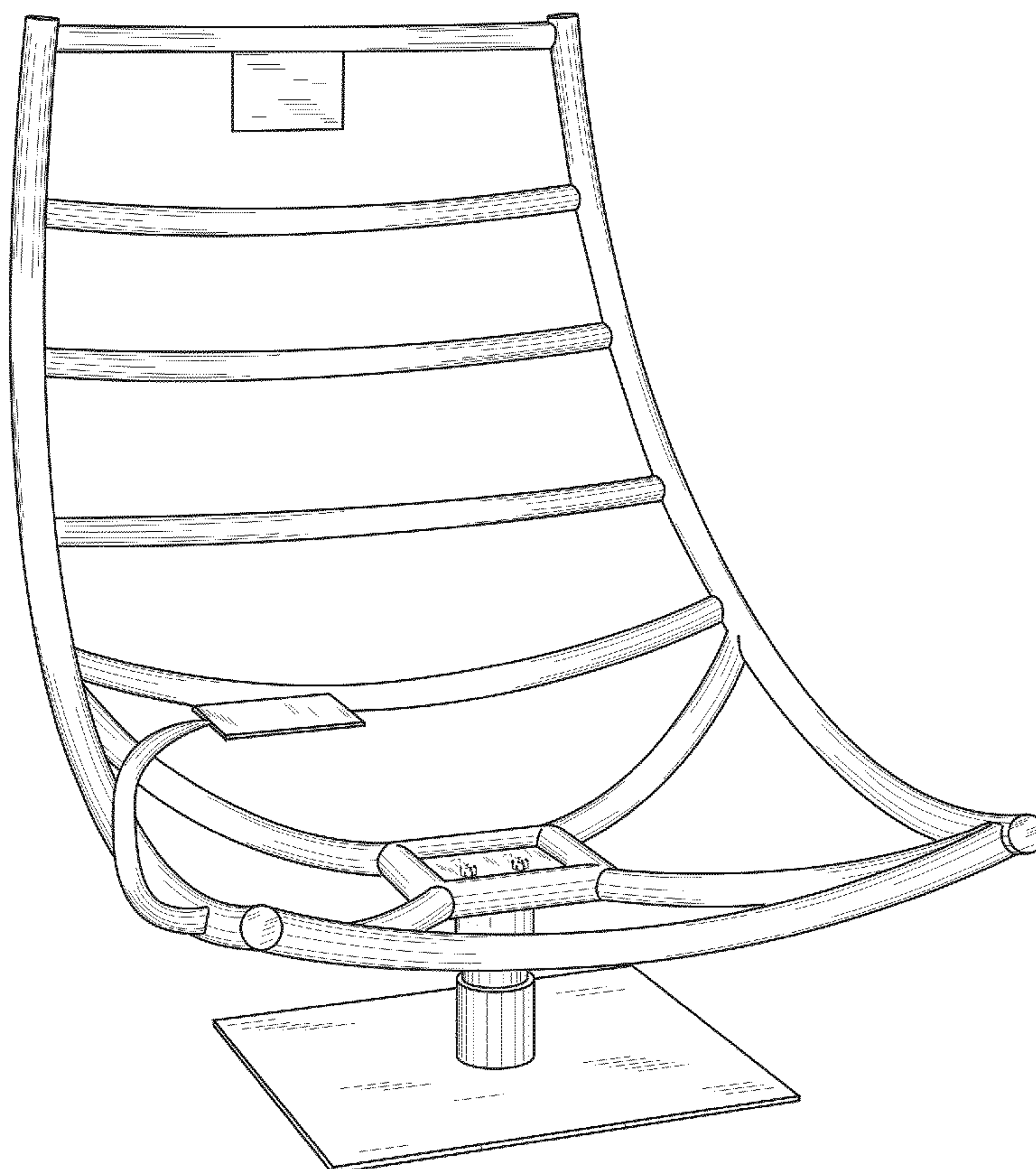
Primary Examiner — Mimosa De

(57) **CLAIM**
The ornamental design for a chair, as shown and described.

DESCRIPTION

FIG. 1 is a perspective view of a chair;
FIG. 2 is a front view thereof;
FIG. 3 is a rear view thereof;
FIG. 4 is a bottom view thereof;
FIG. 5 is a top view thereof;
FIG. 6 is a left side view thereof; and,
FIG. 7 is a right side view thereof.
The broken line showing fasteners and slits in FIG. 1 and FIG. 5 is included for the purpose of illustrating environmental structure and forms no part of the claimed design.

1 Claim, 7 Drawing Sheets



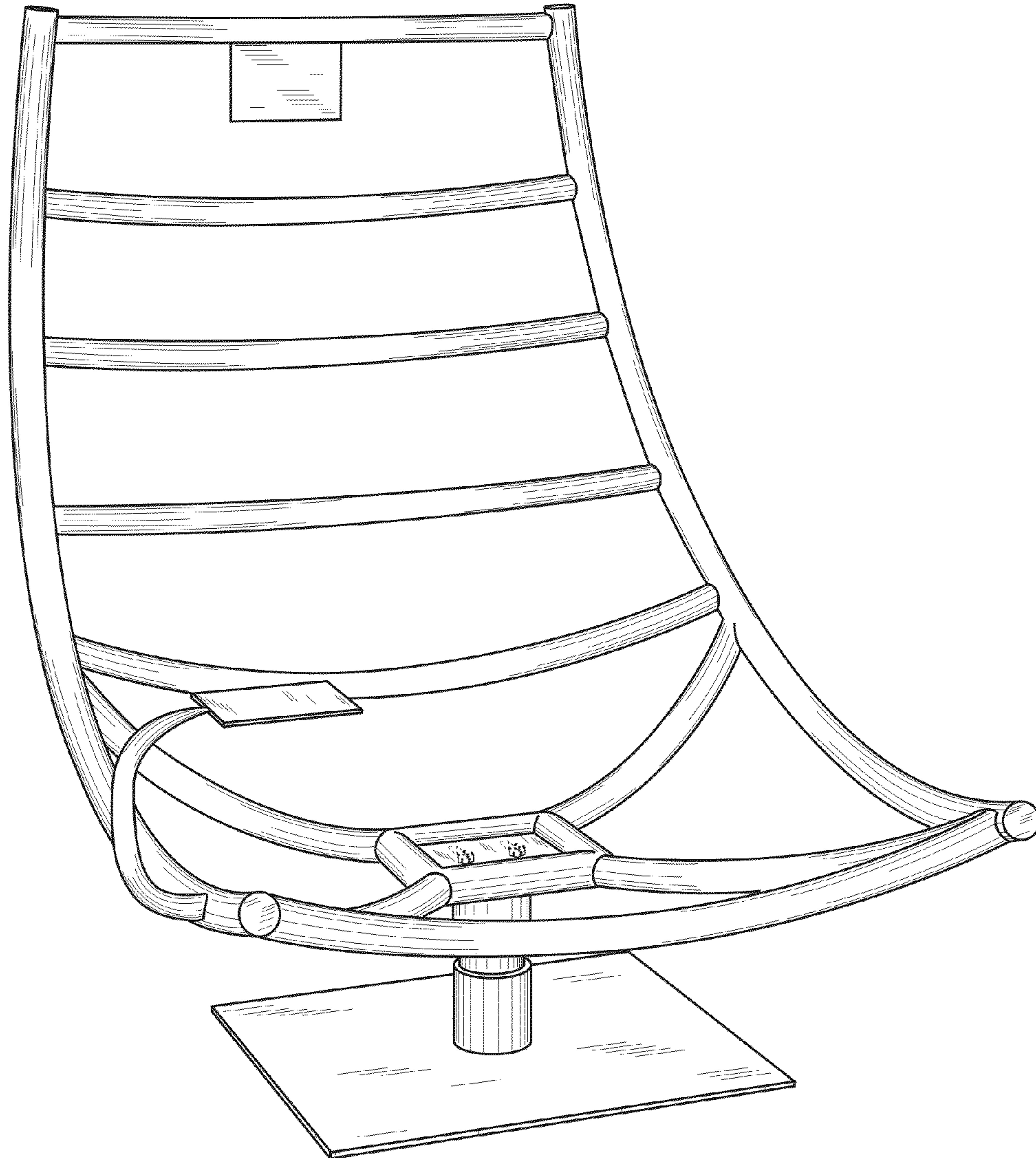


FIG. 1

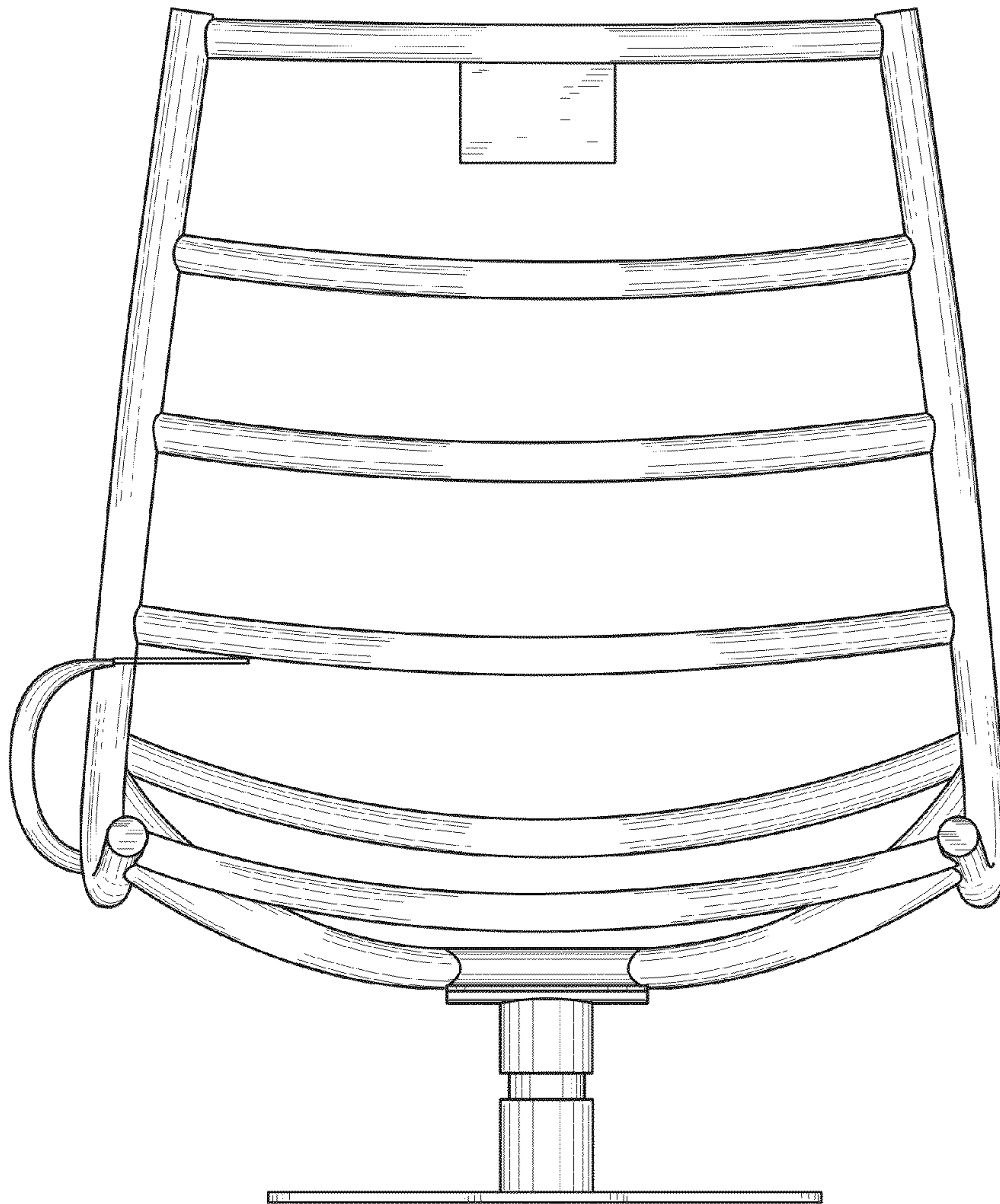


FIG. 2

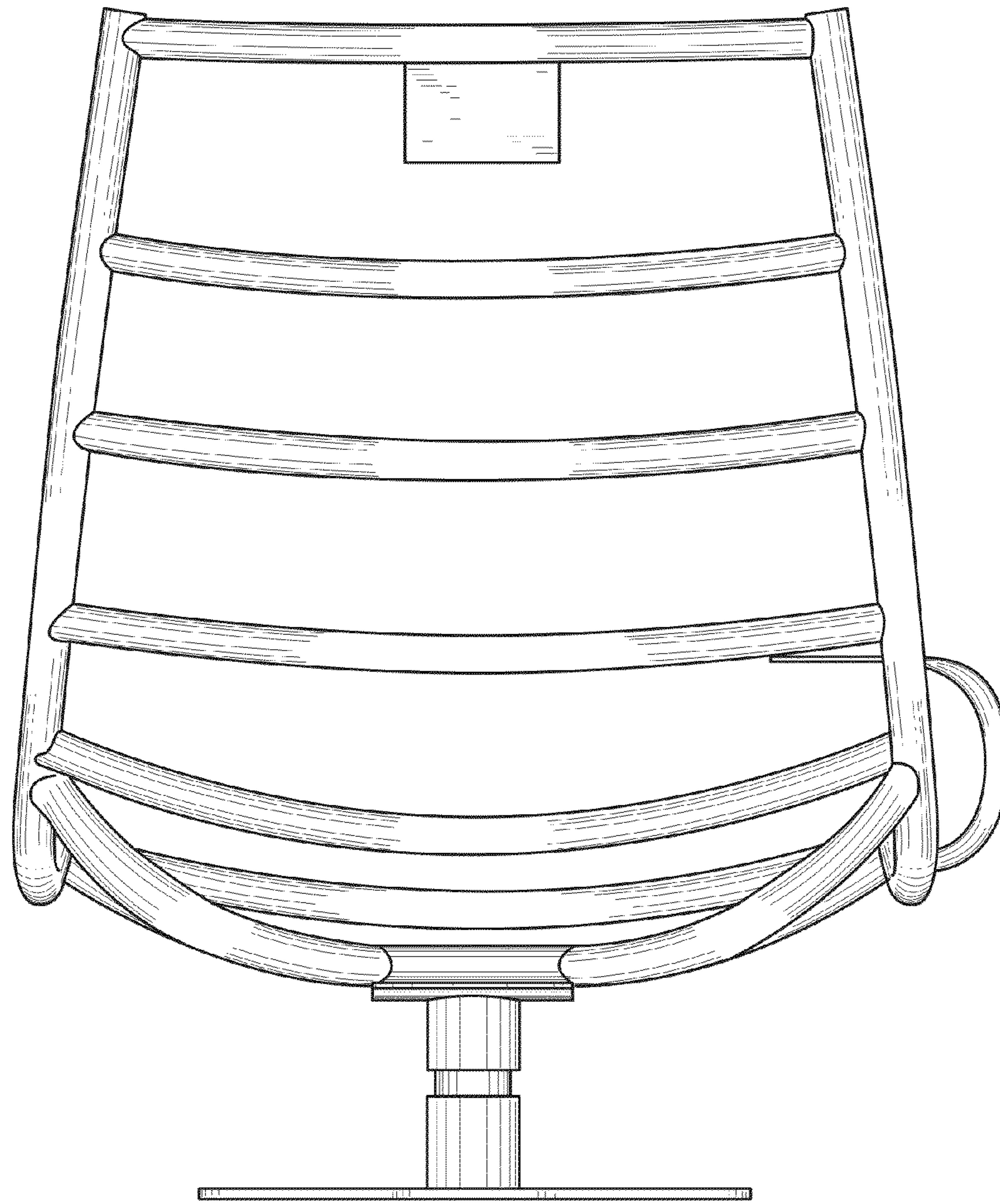


FIG. 3

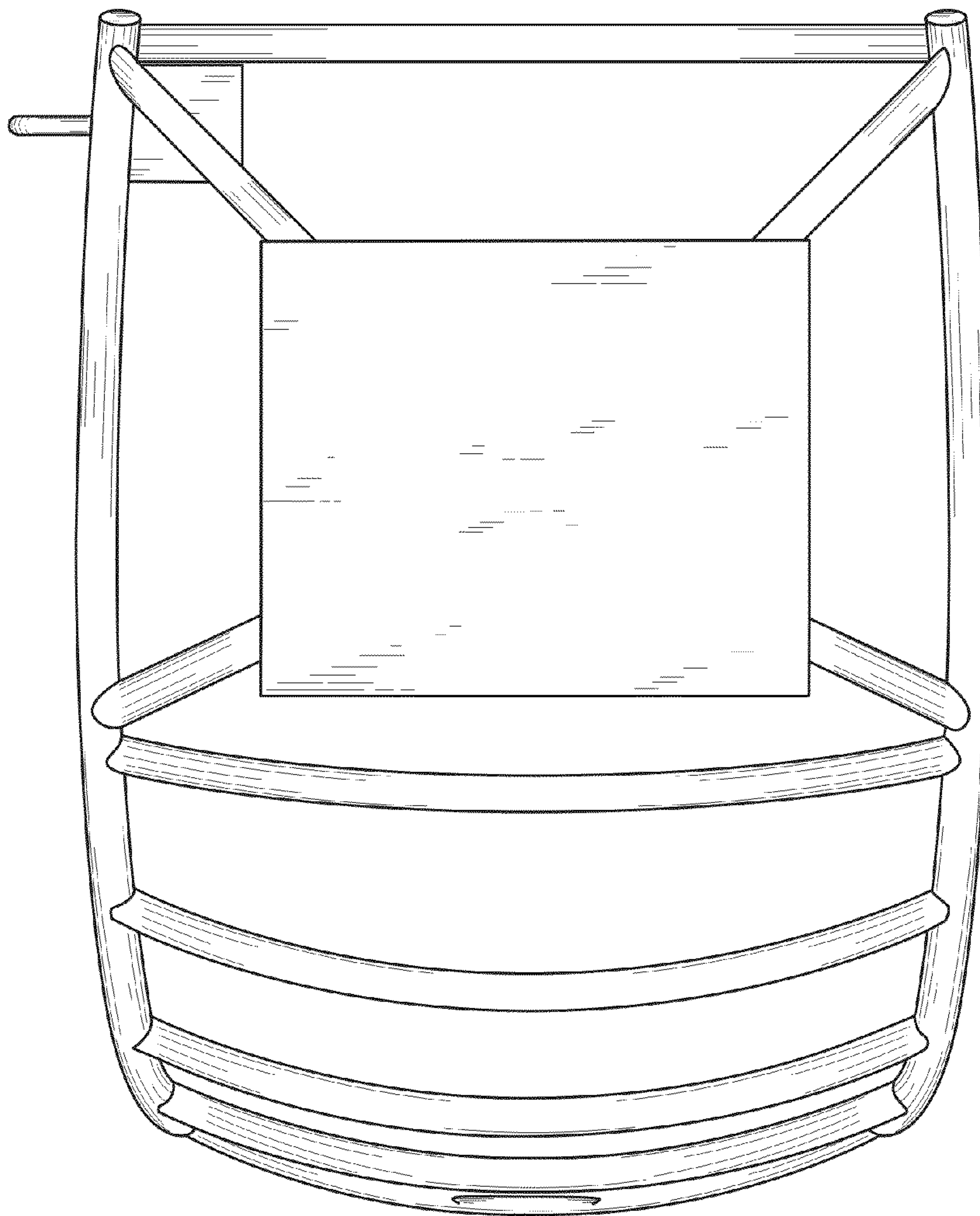


FIG. 4

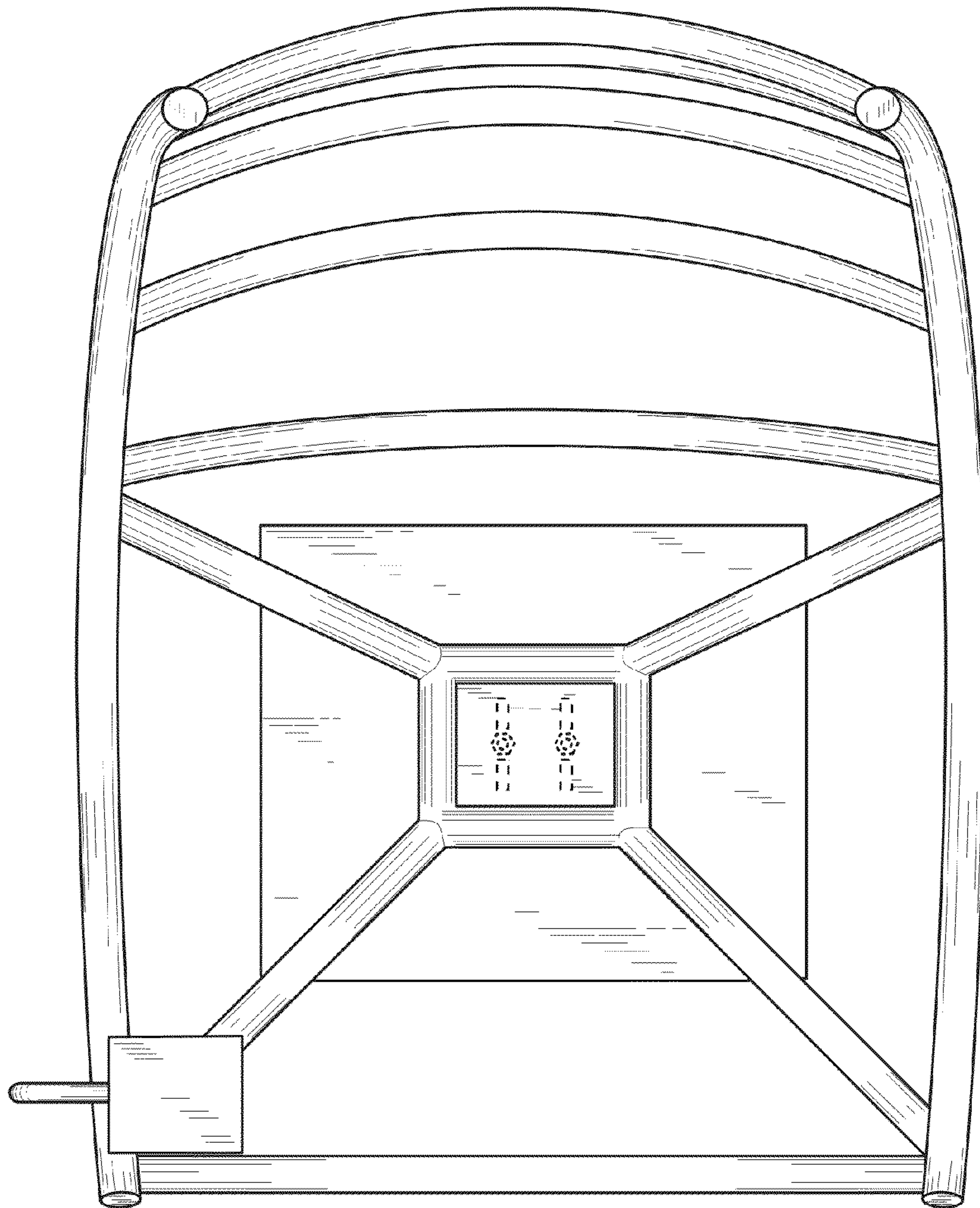


FIG. 5

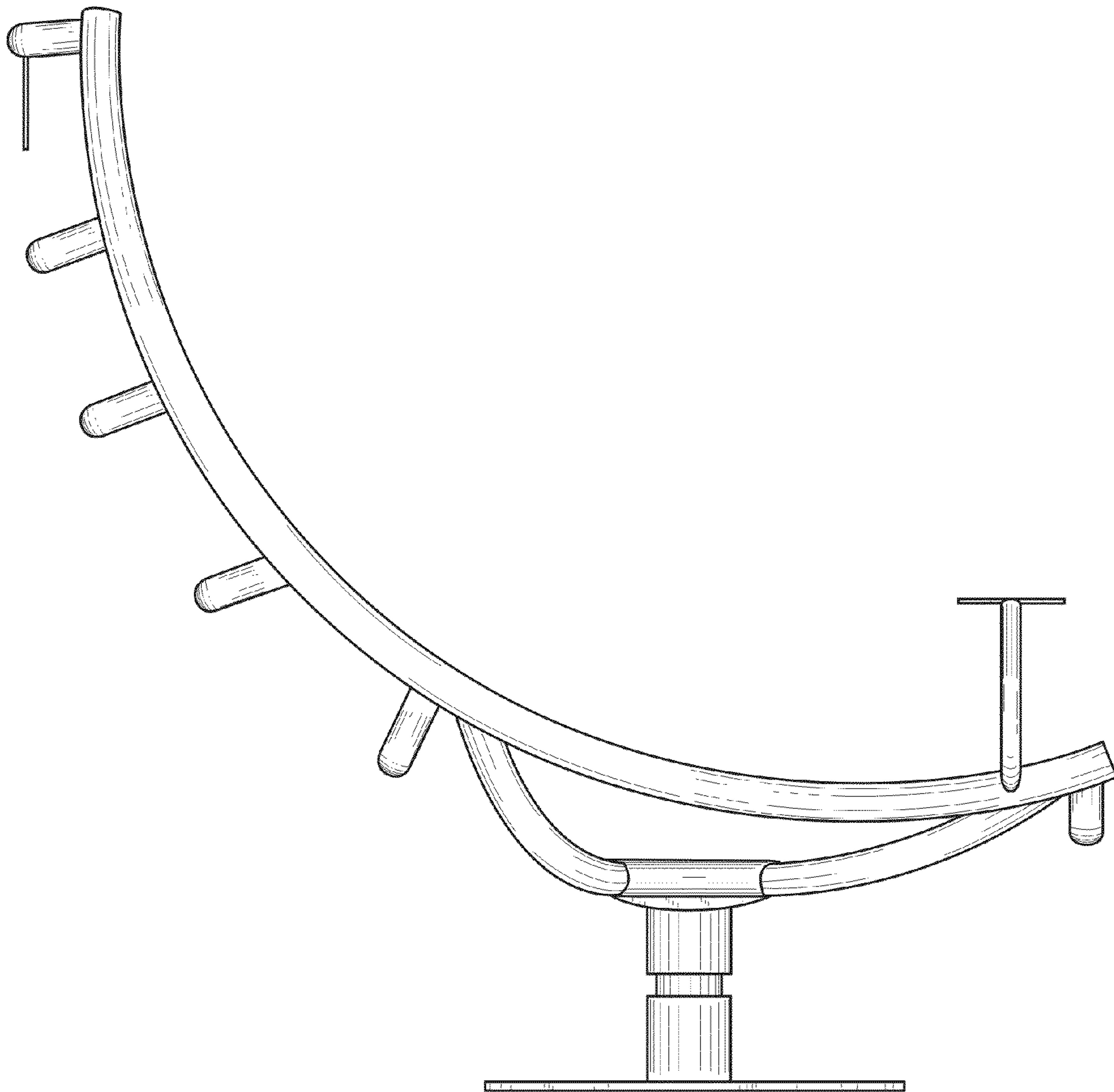


FIG. 6

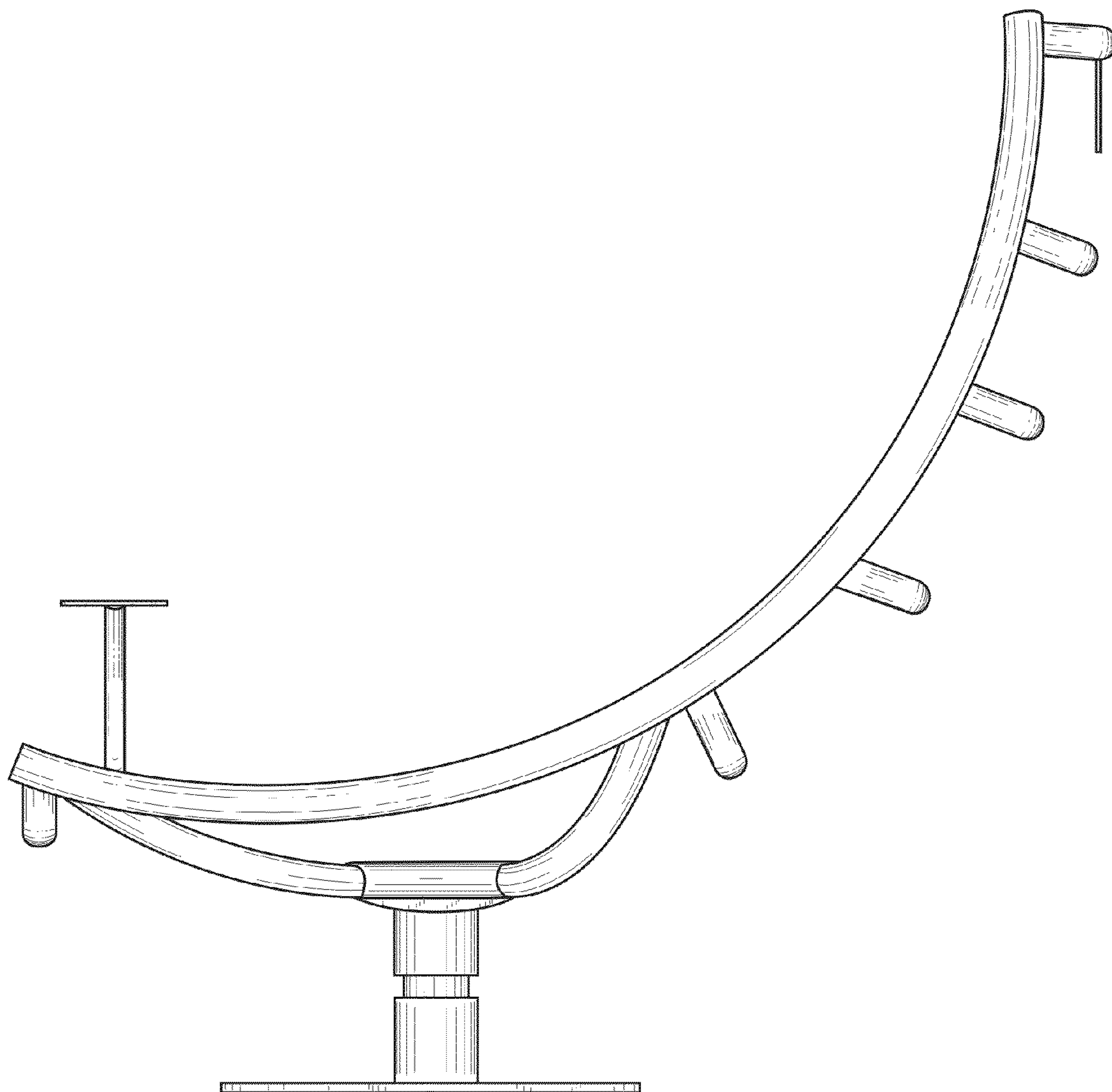


FIG. 7