



US00D730653S

(12) **United States Design Patent**
Yang

(10) **Patent No.:** **US D730,653 S**
(45) **Date of Patent:** **** Jun. 2, 2015**

(54) **CHAIR**

(71) Applicant: **Chun-Rong Yang**, Dzan-Hwa (TW)

(72) Inventor: **Chun-Rong Yang**, Dzan-Hwa (TW)

(**) Term: **14 Years**

(21) Appl. No.: **29/479,237**

(22) Filed: **Jan. 14, 2014**

(51) **LOC (10) Cl.** **06-01**

(52) **U.S. Cl.**
USPC **D6/363**

(58) **Field of Classification Search**
USPC D6/334-336, 343, 363, 364, 374, 379,
D6/380, 716, 716.1, 716.2, 716.4, 708.16
CPC A47C 4/02; A47C 4/03; A47C 9/10;
A47C 4/021; A47C 4/028; A47C 7/16
See application file for complete search history.

(56) **References Cited**

U.S. PATENT DOCUMENTS

D172,126 S *	5/1954	Conhaim	D6/343
D195,566 S *	7/1963	Gleitsman	D6/343
D225,143 S *	11/1972	Ritter	D6/343
D249,103 S *	8/1978	Rodriguez	D6/363

D284,429 S *	7/1986	Garde	D6/368
D314,300 S *	2/1991	Kamahara	D6/708.16
D326,368 S *	5/1992	Vilmar-Matthews	D6/363
D338,345 S *	8/1993	Camp	D6/363
D338,565 S *	8/1993	Tihany	D6/363
D340,360 S *	10/1993	Strugarevic et al.	D6/363
D396,569 S *	8/1998	Chen	D6/368
D400,724 S *	11/1998	Richter	D6/368
D474,041 S *	5/2003	Howard et al.	D6/368
D483,959 S *	12/2003	Howard et al.	D6/364
D594,243 S *	6/2009	Mic	D6/380

* cited by examiner

Primary Examiner — Mimosa De

(74) *Attorney, Agent, or Firm* — Bacon & Thomas, PLLC

(57) **CLAIM**

The ornamental design for a chair, as shown and described.

DESCRIPTION

FIG. 1 is a perspective view of a chair showing my new design;

FIG. 2 is a front view thereof;

FIG. 3 is a rear view thereof;

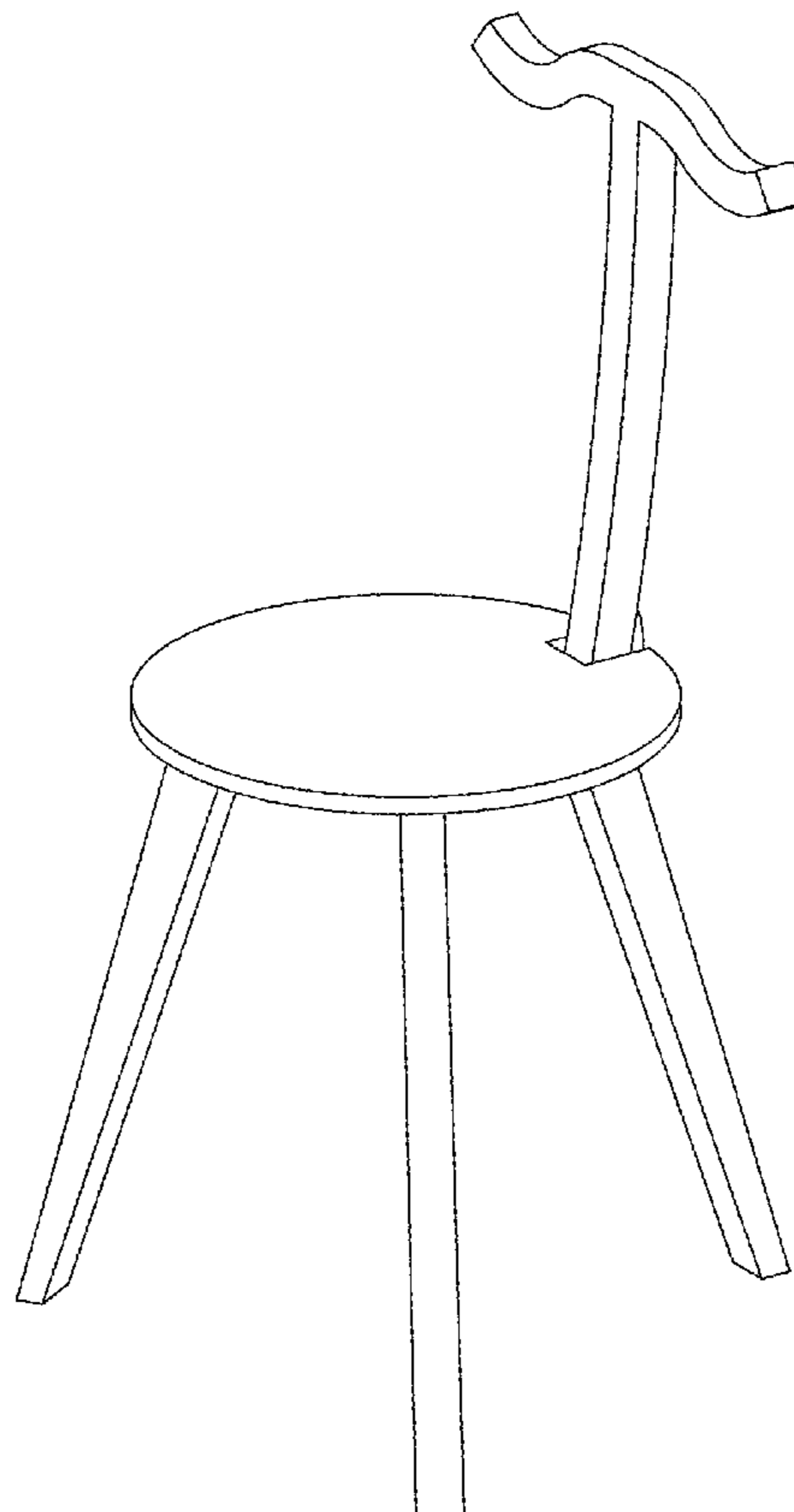
FIG. 4 is a left side view thereof;

FIG. 5 is a right side view thereof;

FIG. 6 is a top plan view thereof; and,

FIG. 7 is a bottom plan view thereof.

1 Claim, 4 Drawing Sheets



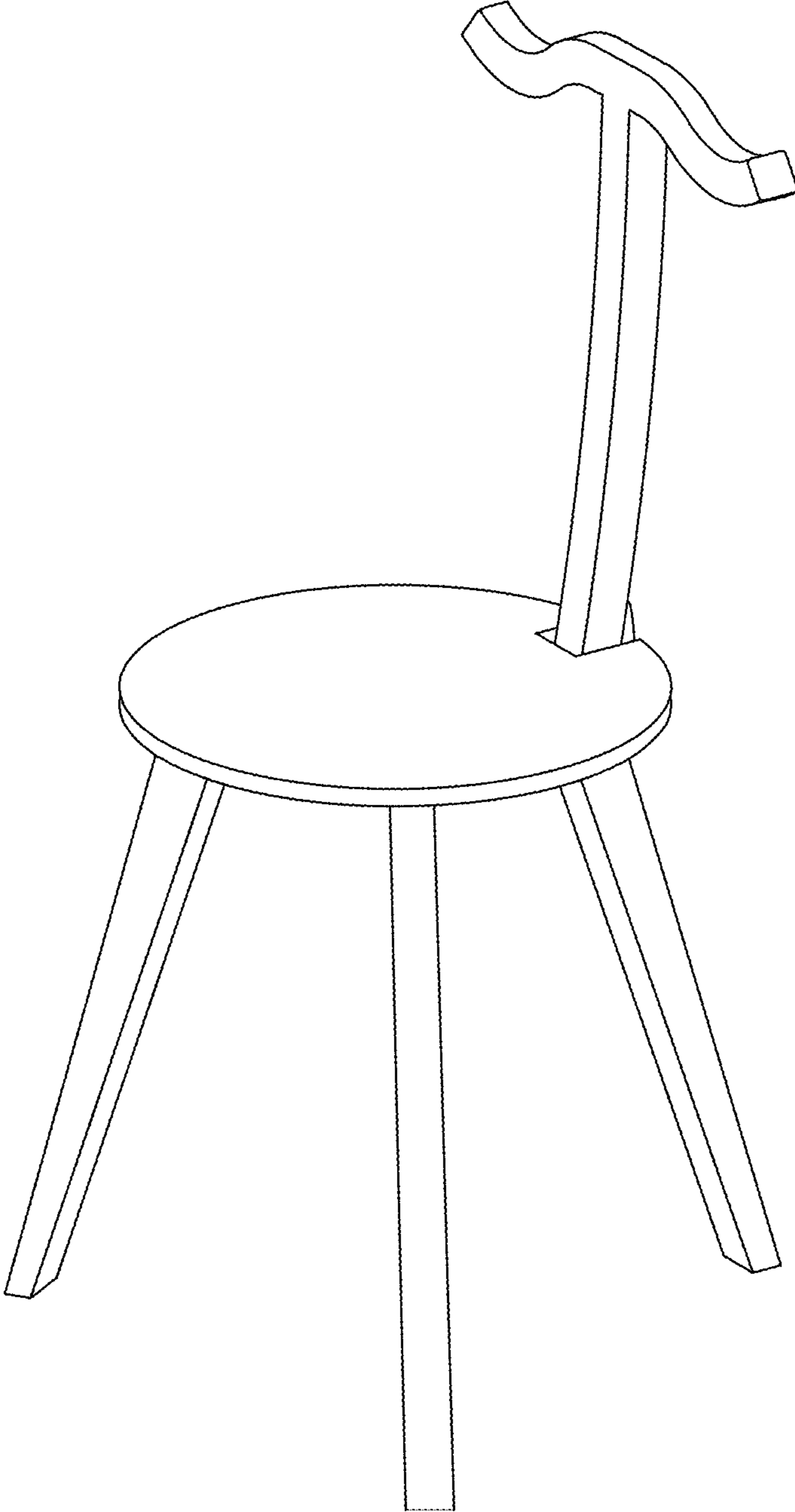


FIG. 1

FIG. 2

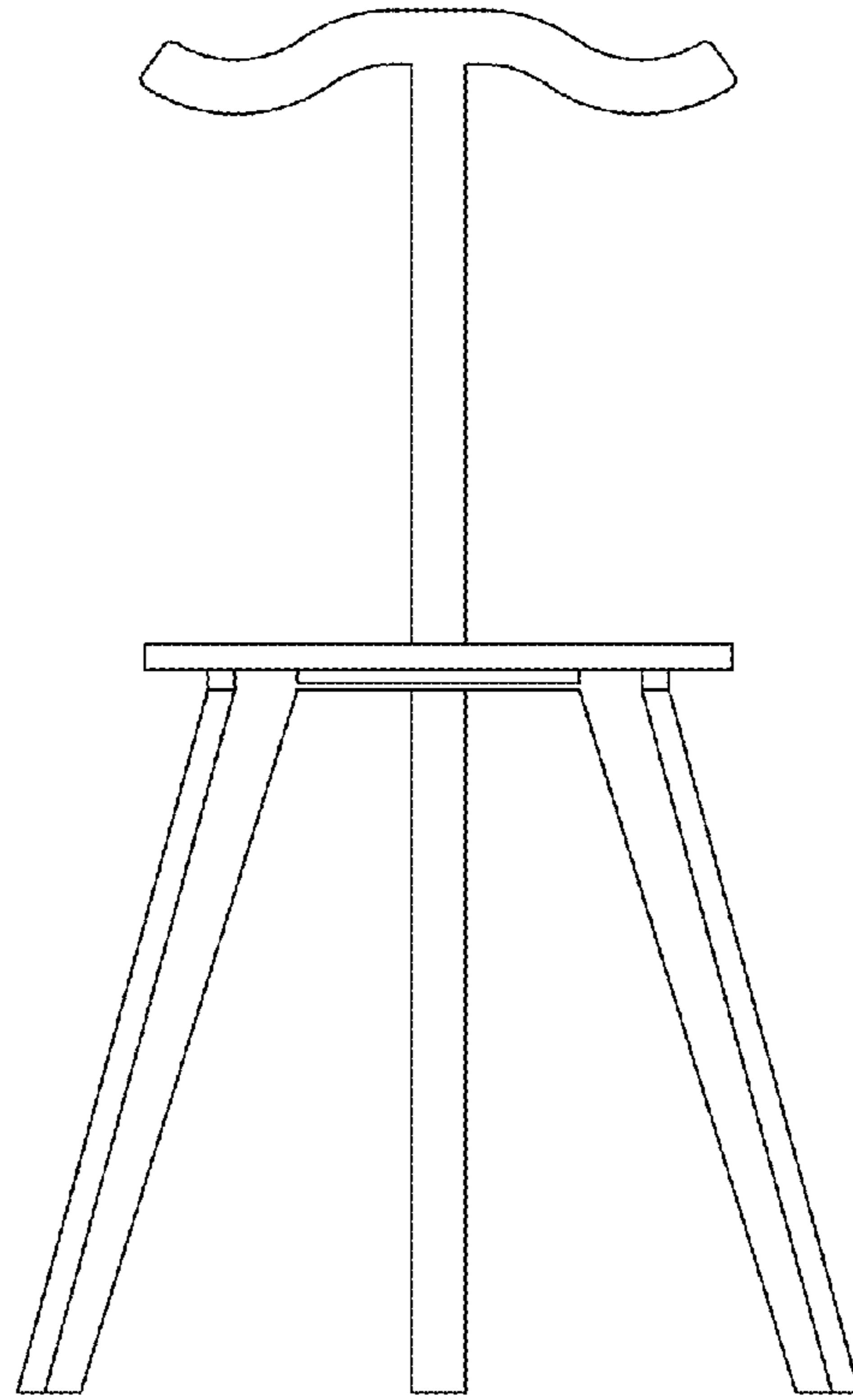


FIG. 3

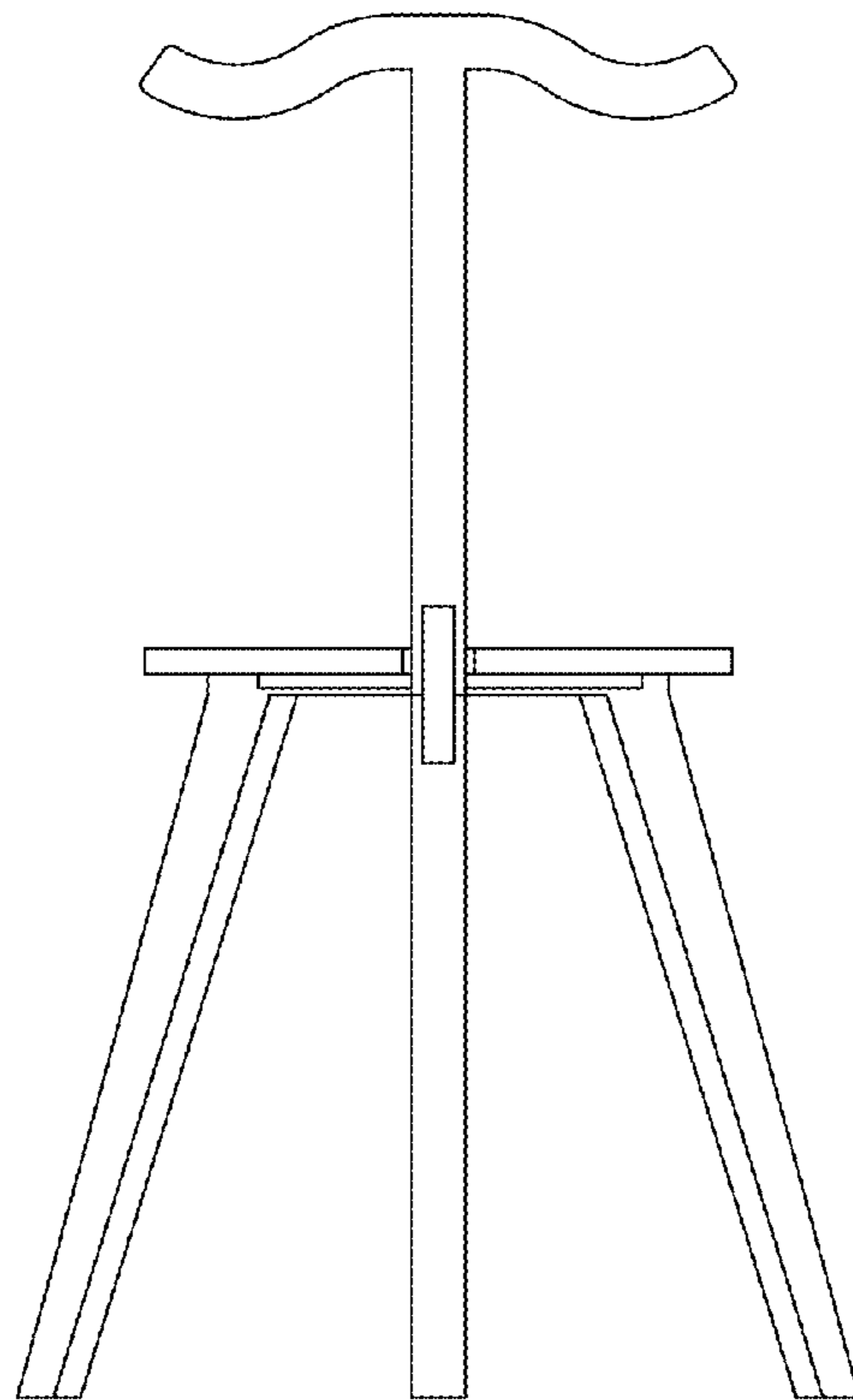


FIG. 4

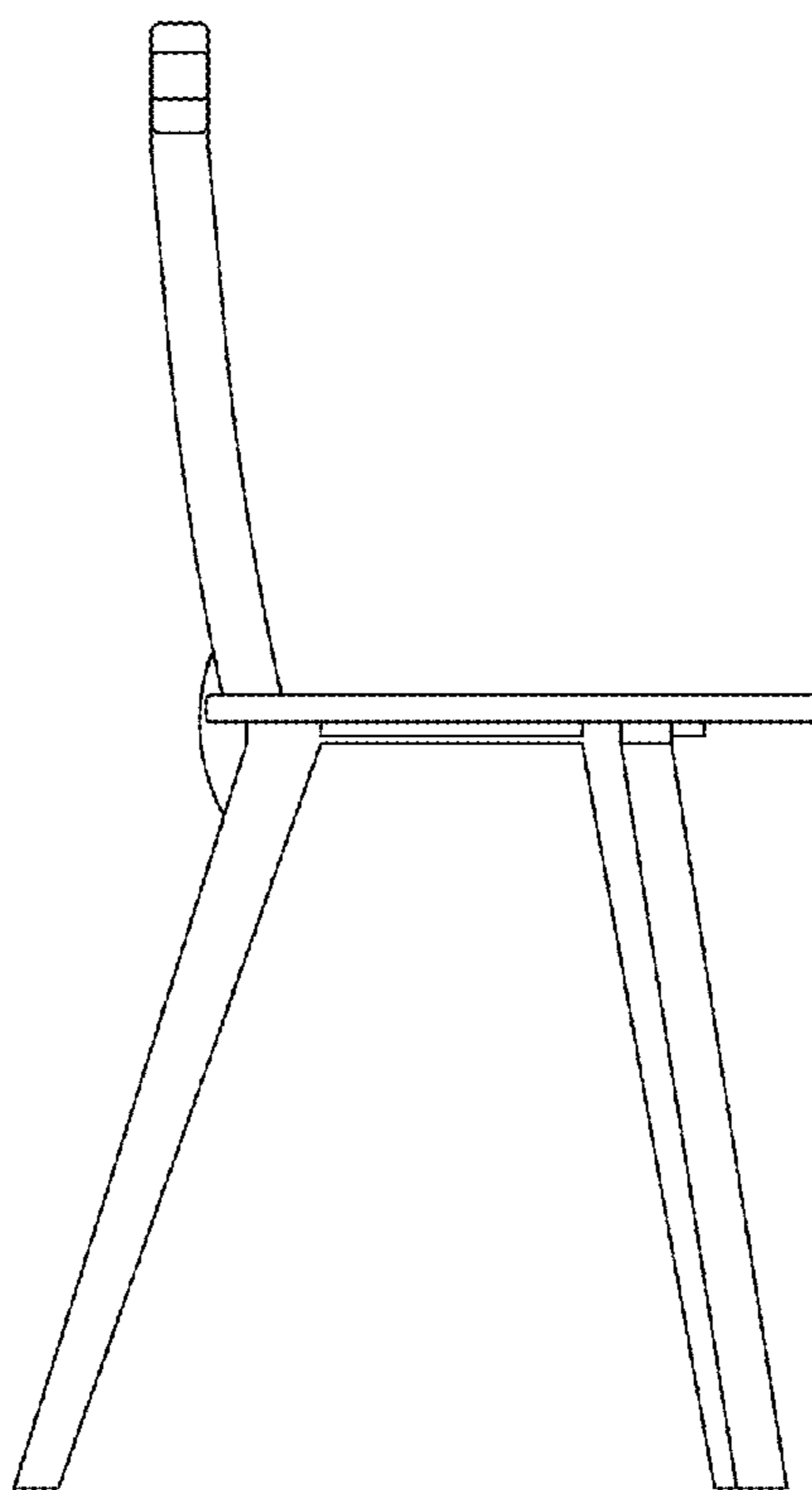


FIG. 5

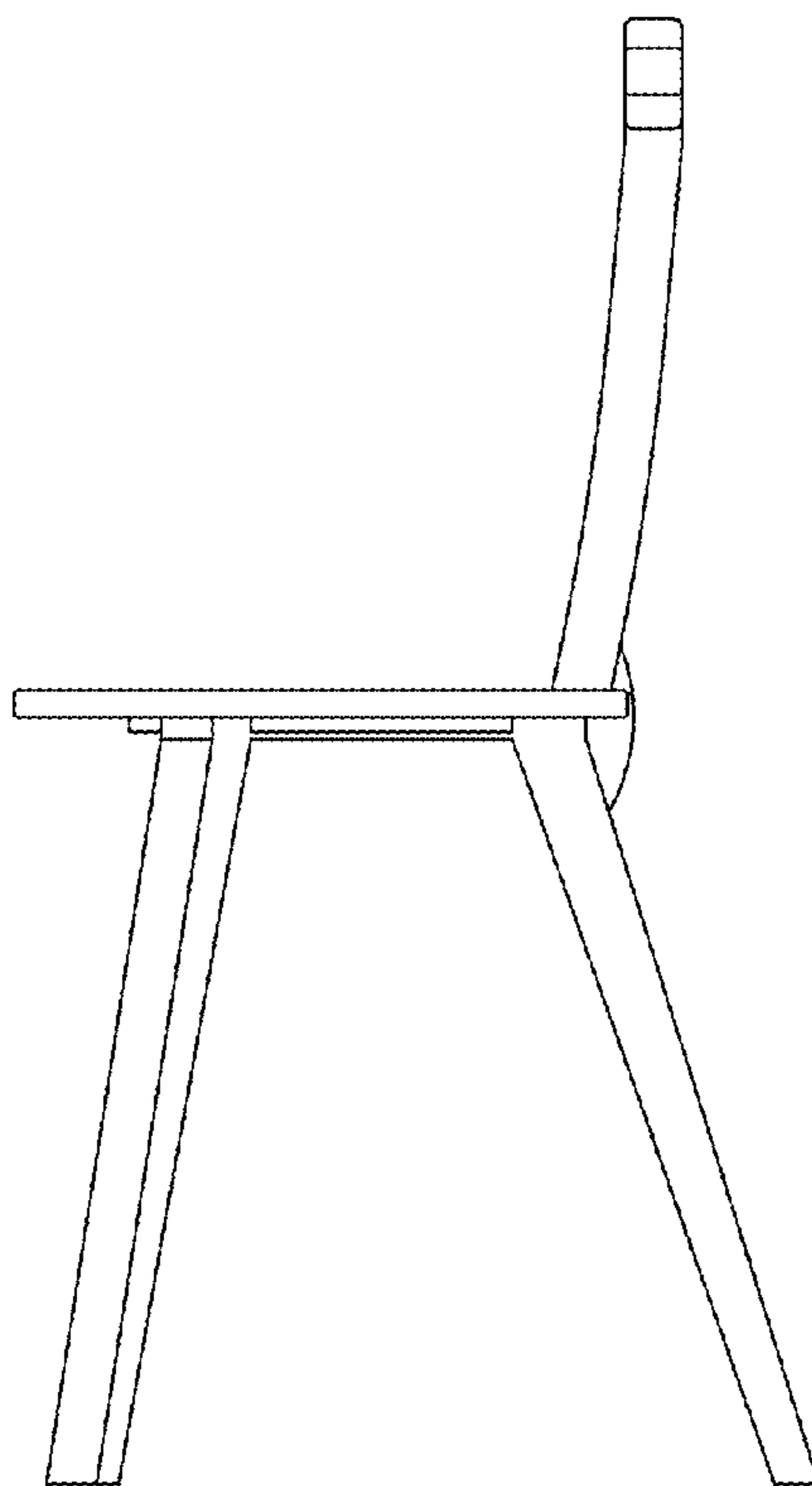


FIG. 6

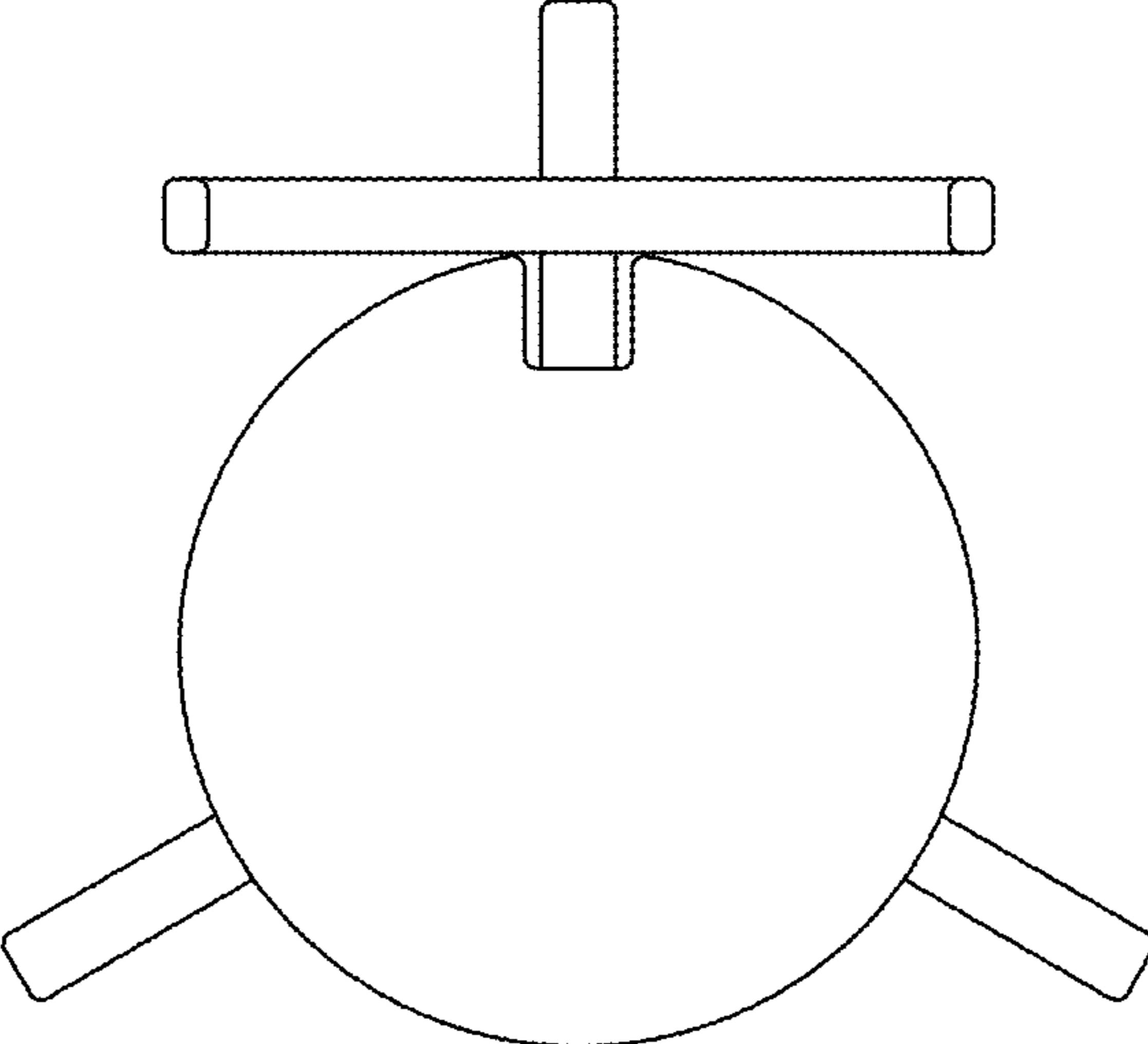


FIG. 7

