



US00D730649S

(12) **United States Design Patent**  
**Thomas**

(10) **Patent No.:** **US D730,649 S**  
(45) **Date of Patent:** **\*\* Jun. 2, 2015**

(54) **VENTED POSTER CARRIER WITH POCKETS**

(71) Applicant: **Kathy Lorraine Thomas**, Memphis, TN (US)

(72) Inventor: **Kathy Lorraine Thomas**, Memphis, TN (US)

(\*\*) Term: **14 Years**

(21) Appl. No.: **29/438,954**

(22) Filed: **Dec. 5, 2012**

(51) **LOC (10) Cl.** ..... **03-02**

(52) **U.S. Cl.**  
USPC ..... **D3/315**

(58) **Field of Classification Search**  
USPC ..... D3/201, 204, 269, 315, 316; D8/383, D8/396; 211/85.6; 206/315.11, 317; 383/6, 383/27; 294/152  
CPC ..... B65G 7/12; A45F 5/00; A45C 11/00; A45C 3/001; A45C 3/004; A45C 11/26; A45C 5/06; B65D 71/00; B65D 25/00; B65D 33/065  
See application file for complete search history.

(56) **References Cited**

U.S. PATENT DOCUMENTS

1,521,897	A *	1/1925	Martin	383/20
1,579,023	A *	3/1926	Myers	223/91
1,665,184	A *	4/1928	Thrower	383/6
3,693,867	A *	9/1972	Schwarzkopf	383/27
3,792,806	A *	2/1974	Layton	294/152
3,811,543	A *	5/1974	Parrochia	206/279
4,180,114	A *	12/1979	Katz	224/153
D258,035	S *	1/1981	Fenwick	D6/603
4,248,364	A *	2/1981	Anderson	383/6
D268,223	S *	3/1983	Faulkner	D3/315
D272,202	S *	1/1984	Ring	D3/270
4,572,364	A *	2/1986	Jordan	206/287
4,760,920	A *	8/1988	Thomsen	206/495
4,825,985	A *	5/1989	Kim	190/111

4,958,727	A *	9/1990	Bergeron	206/6.1
5,018,609	A *	5/1991	Brenner	190/108
5,028,075	A *	7/1991	Donnelly	281/49
5,131,513	A *	7/1992	Gossage	190/107
5,419,432	A *	5/1995	Ingram	206/287.1
5,651,455	A *	7/1997	Garcia	206/287.1
D385,419	S *	10/1997	Ibigbami	D3/283
5,779,033	A *	7/1998	Roegner	206/6.1
D398,082	S *	9/1998	Martz	D30/109
5,863,088	A *	1/1999	Kelly, Sr. et al.	294/146
5,911,463	A *	6/1999	Fesko	294/152
6,053,634	A *	4/2000	Kay	383/4
6,279,747	B1 *	8/2001	Zegarra	206/579
D481,539	S *	11/2003	Martz	D3/279

(Continued)

*Primary Examiner* — Ian Simmons  
*Assistant Examiner* — Charles Hanson

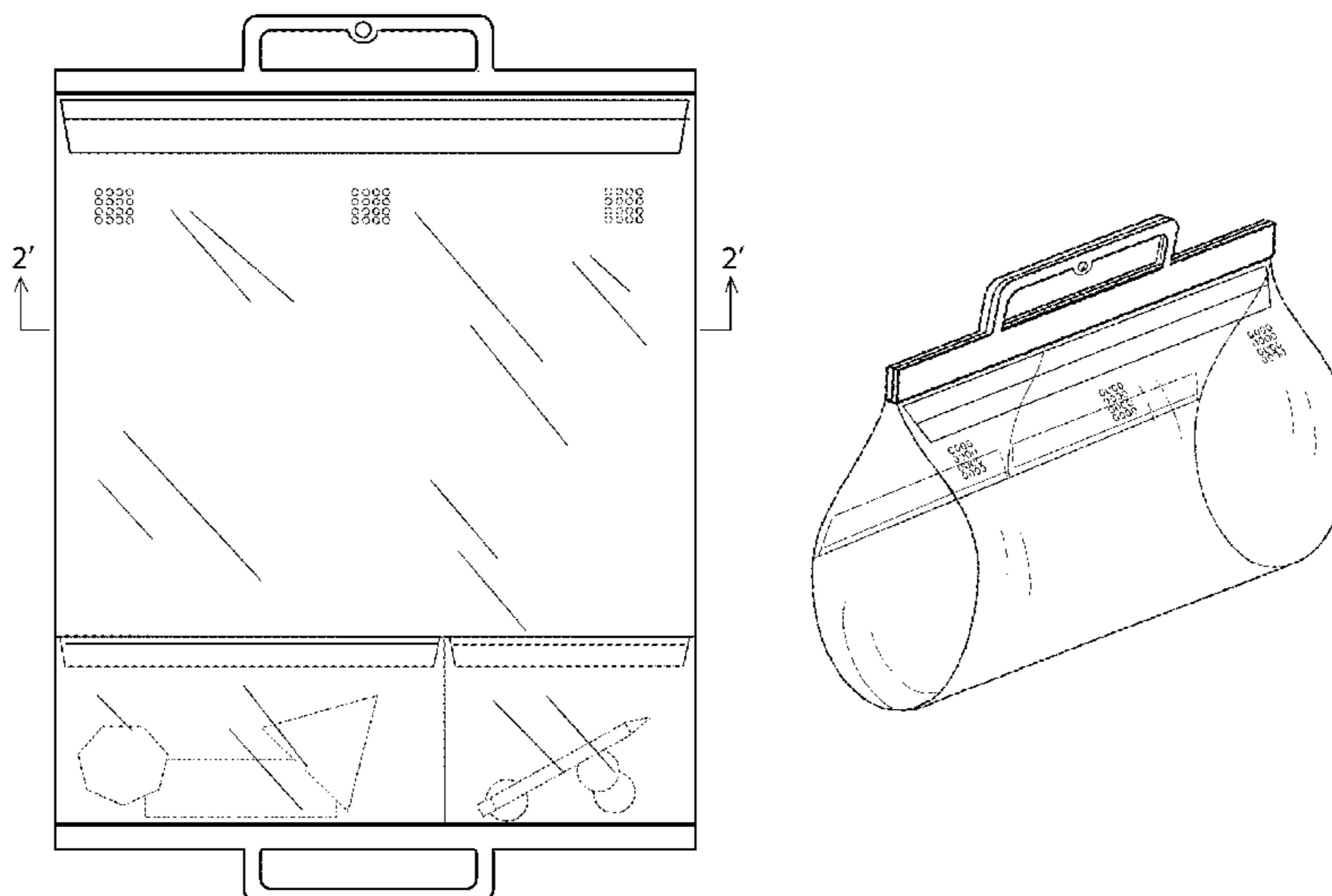
(57) **CLAIM**

The ornamental design for a vented poster carrier with pockets, as shown and described.

**DESCRIPTION**

FIG. 1 in a front view of a vented poster carrier with pockets showing my new design;  
 FIG. 2 is a cross-section view thereof, taken along lines 2'-2';  
 FIG. 3 is a side view thereof;  
 FIG. 4 is back view thereof;  
 FIG. 5 is front view thereof, showing the main pocket flap opened; and,  
 FIG. 6 is a perspective view thereof with handles brought together for carrying.  
 With the exception of the handles, the vented poster carrier is transparent plastic. The square arrays of circles below the topmost flap represent vent holes. Dashed or broken lines showing are for purposes of environmental illustration and form no part of the claimed design. Unclaimed matter shown in dashed line in (FIGS. 1, 4 and 5) has been omitted from FIG. 6 to better show features of the carrier.  
 The broken line showing is included for the purpose of illustrating environment and forms no part of the claimed design.

**1 Claim, 5 Drawing Sheets**



(56)

**References Cited**

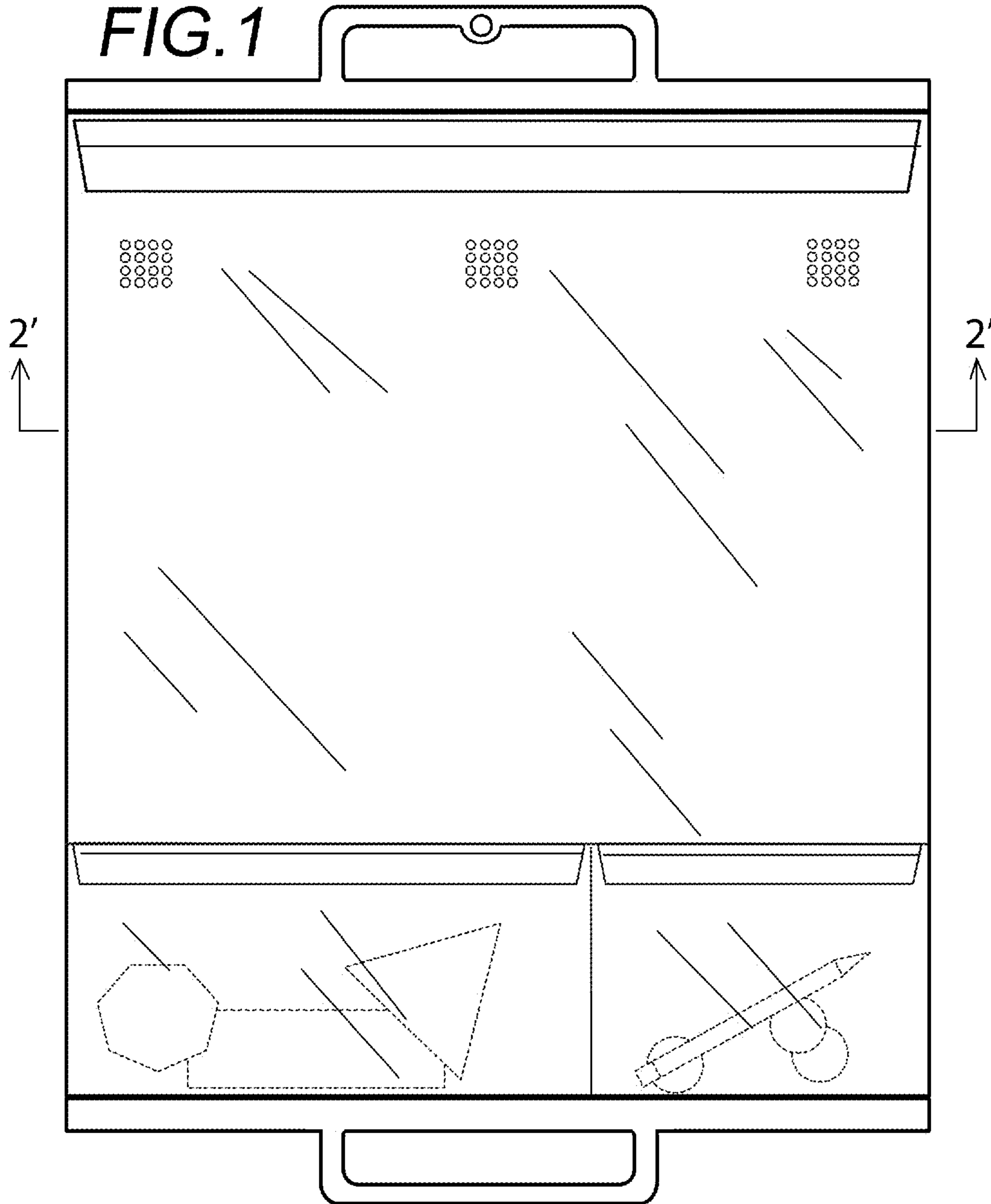
U.S. PATENT DOCUMENTS

7,108,900 B1 \* 9/2006 Manning Porter ..... 428/35.7  
D586,554 S \* 2/2009 Baptiste et al. .... D3/233  
D638,215 S \* 5/2011 Kellington ..... D3/203.1  
D640,055 S \* 6/2011 Mailet ..... D3/276

D665,899 S \* 8/2012 Authier et al. .... D23/410  
2006/0201979 A1 \* 9/2006 Achilles ..... 224/411  
2006/0228052 A1 \* 10/2006 Hess ..... 383/10  
2007/0183691 A1 \* 8/2007 Finnegan ..... 383/23  
2007/0193902 A1 \* 8/2007 Myers et al. .... 206/320

\* cited by examiner

**FIG. 1**



**FIG. 2**





**FIG.3**

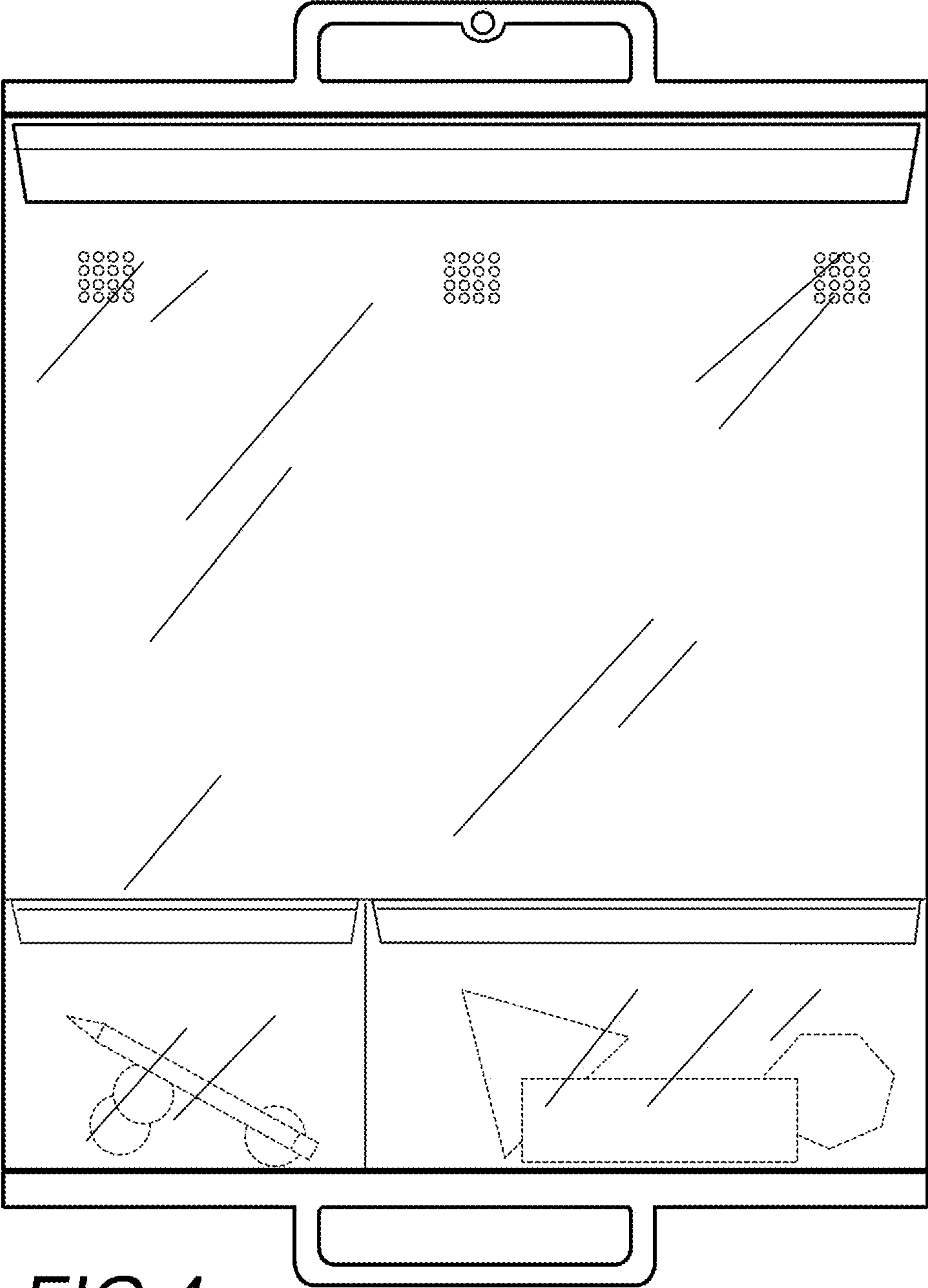
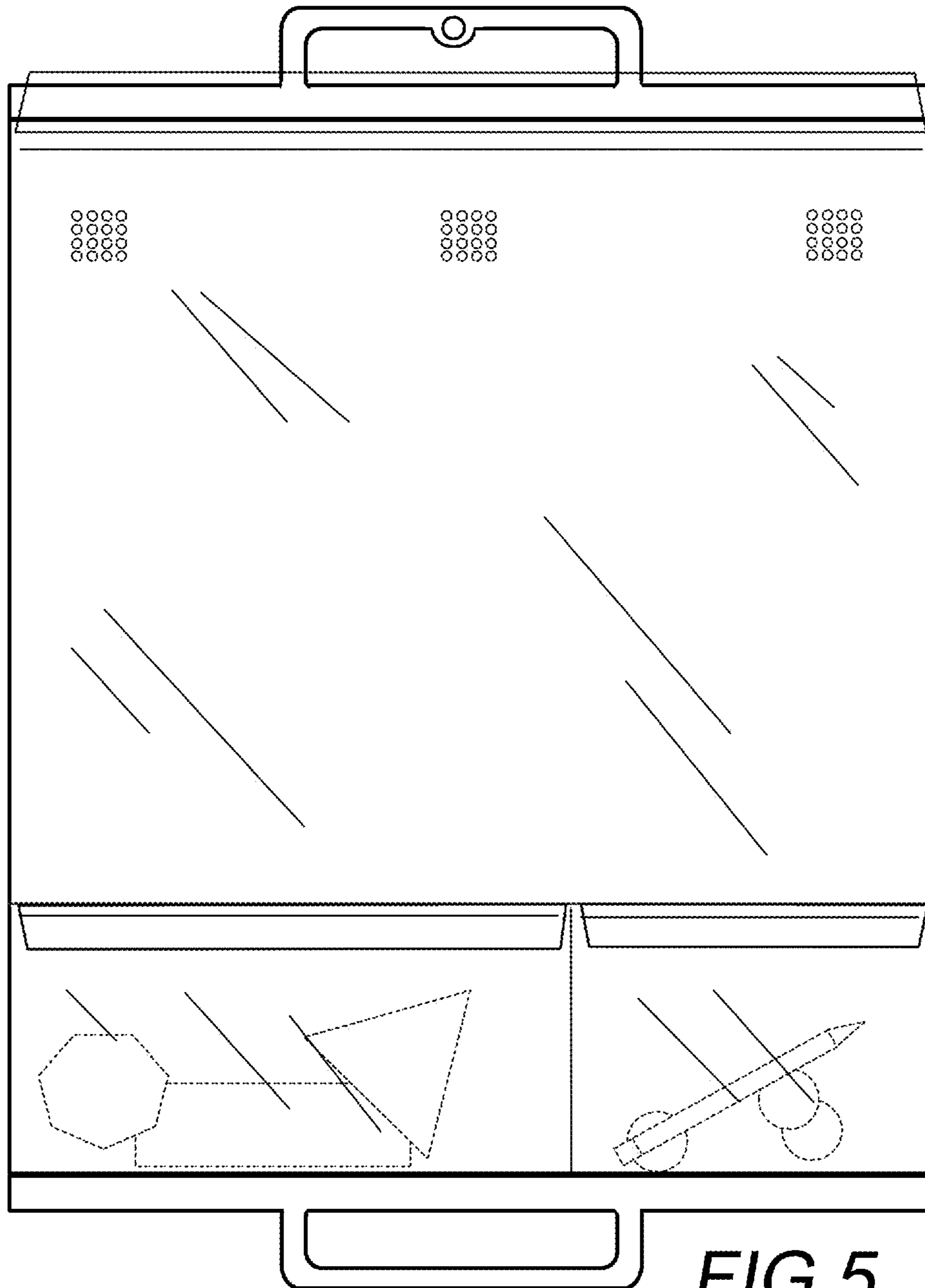
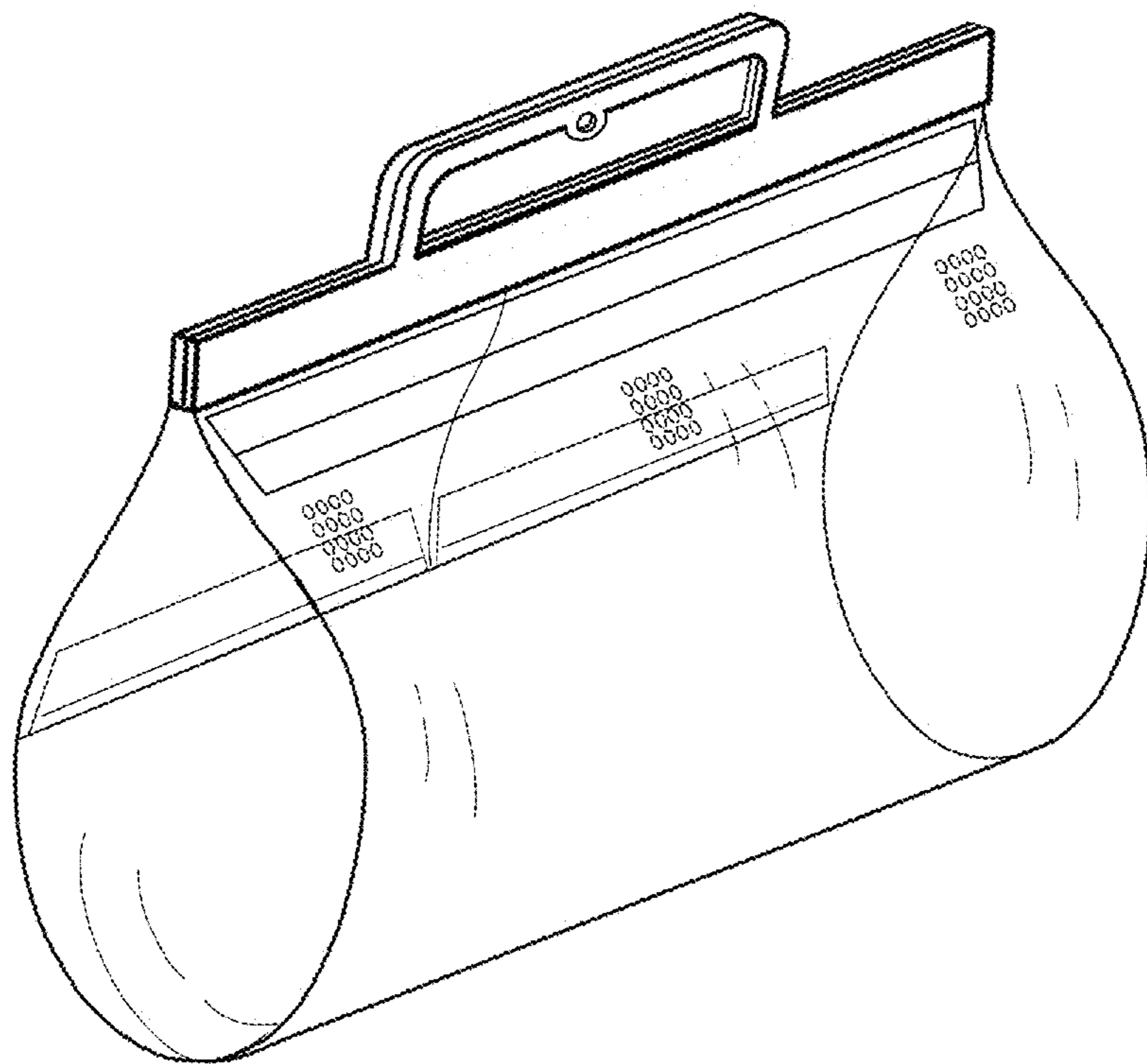


FIG.4



**FIG. 5**



**FIG.6**