



US00D730647S

(12) **United States Design Patent**
Thompson

(10) **Patent No.:** **US D730,647 S**
(45) **Date of Patent:** **** Jun. 2, 2015**

- (54) **ELECTRICAL DEVICE HOLDER**
- (71) Applicant: **Vincent E. Thompson**, Bloomington, IN (US)
- (72) Inventor: **Vincent E. Thompson**, Bloomington, IN (US)
- (**) Term: **14 Years**
- (21) Appl. No.: **29/476,768**
- (22) Filed: **Dec. 17, 2013**
- (51) **LOC (10) Cl.** **03-01**
- (52) **U.S. Cl.**
USPC **D3/284**; D3/299
- (58) **Field of Classification Search**
USPC D3/273, 293, 289, 299, 301, 300, 303, D3/900, 245, 201, 283, 276, 285, 286, 287, D3/383, 206, 284; 190/100–127, 900–903; 150/106–112, 118; 206/278, 284–291, 206/279
CPC A45G 29/08; A45C 3/004; A45C 3/00; A45C 2003/008; A45C 11/26
See application file for complete search history.

6,501,643	B1	12/2002	Sayers	
6,597,568	B2	7/2003	Ryder	
D500,597	S *	1/2005	Hillman	D3/301
7,224,086	B2	5/2007	Germagian	
D560,361	S	1/2008	Huang	
D560,383	S *	1/2008	Woods	D6/371
D599,111	S *	9/2009	Boller	D3/290
7,628,271	B1	12/2009	Marton	
D666,815	S *	9/2012	Janus	D3/274
D703,954	S *	5/2014	Zizka	D3/299
2007/0131568	A1	6/2007	Georgia	
2008/0156604	A1 *	7/2008	Franco et al.	190/1
2010/0308187	A1	12/2010	Lin	
2012/0018266	A1 *	1/2012	Ziv et al.	190/109

* cited by examiner

Primary Examiner — Jennifer Rivard
Assistant Examiner — April Rivas

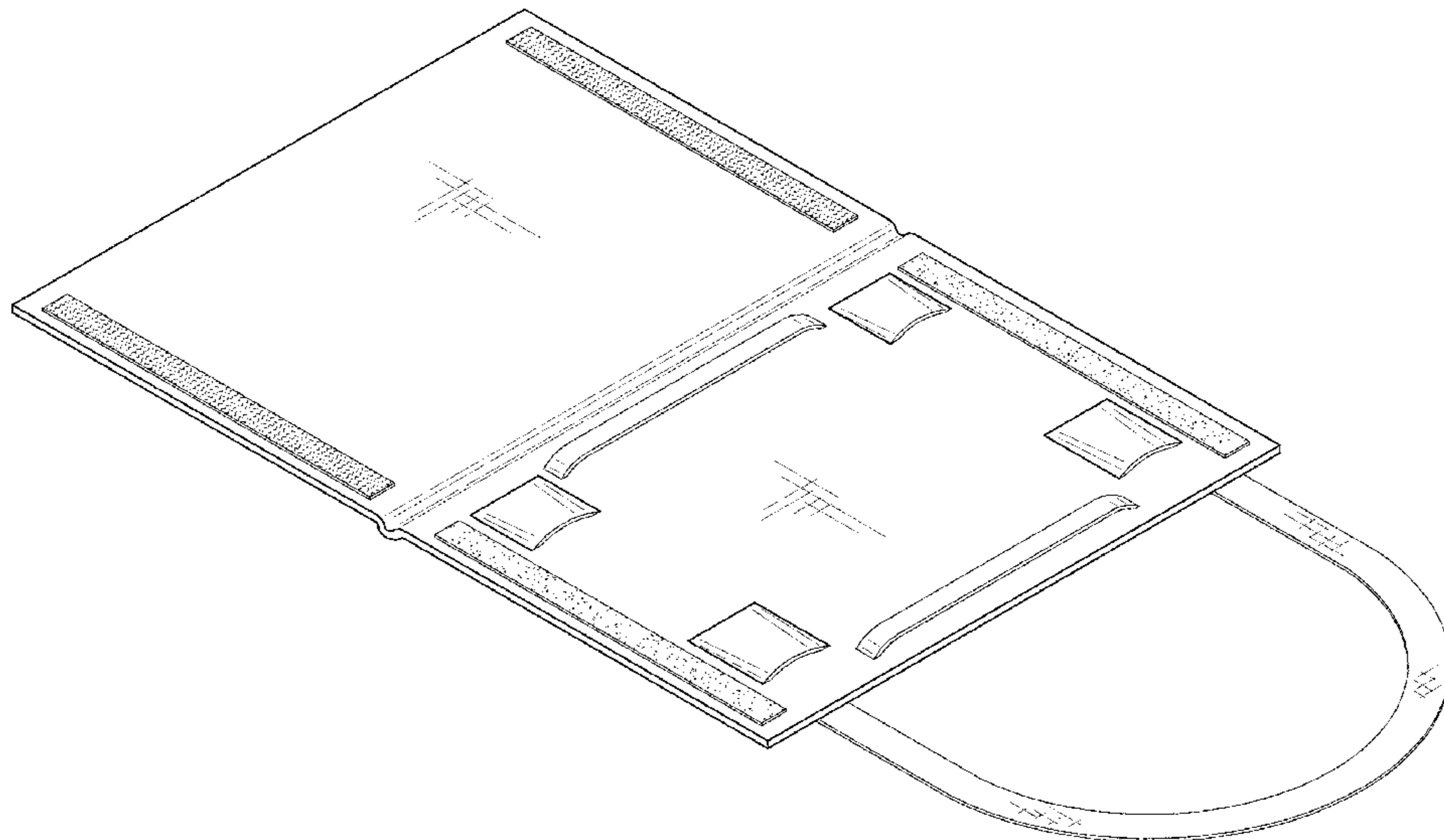
(57) **CLAIM**
I claim the ornamental design for an electrical device holder, as shown and described.

DESCRIPTION

FIG. 1 is a top view of the electrical device holder. FIG. 2 is a bottom view of the claimed design. FIG. 3 is a left side view of the claimed design. FIG. 4 is a right side view of the claimed design. FIG. 5 is a front view of the claimed design; and, FIG. 6 is a perspective view of the claimed design. The fabric pattern is fragmentarily shown for convenience of illustration. It is understood that the pattern is uniformly continuous over the surface of the electrical device holder. The broken lines shown in the drawings illustrate portions of the electrical device holder and form part of the claimed design.

1 Claim, 4 Drawing Sheets

- (56) **References Cited**
U.S. PATENT DOCUMENTS
- | | | | | |
|-----------|-----|---------|-----------------|---------|
| 3,489,194 | A * | 1/1970 | Hoover | 383/4 |
| 5,333,727 | A * | 8/1994 | Hoppe | 206/6.1 |
| 5,743,649 | A * | 4/1998 | Gonzalez | 383/6 |
| D409,382 | S * | 5/1999 | Erlanson | D3/233 |
| D410,144 | S * | 5/1999 | Kay | D3/233 |
| D416,679 | S * | 11/1999 | Livingston | D3/285 |
| D434,901 | S * | 12/2000 | Eskandry | D3/284 |
| D462,987 | S * | 9/2002 | Ruscetta et al. | D19/26 |



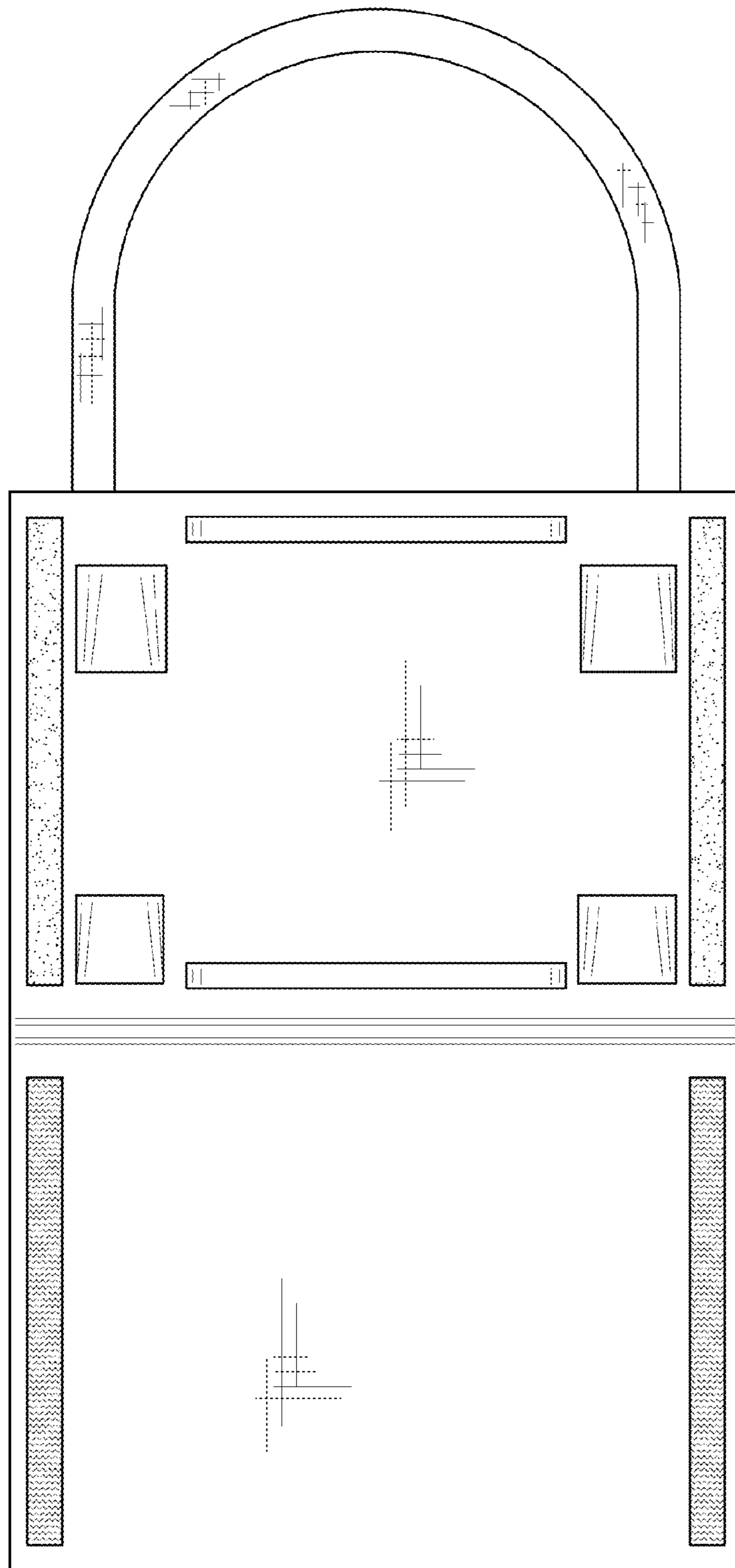


FIG. 1

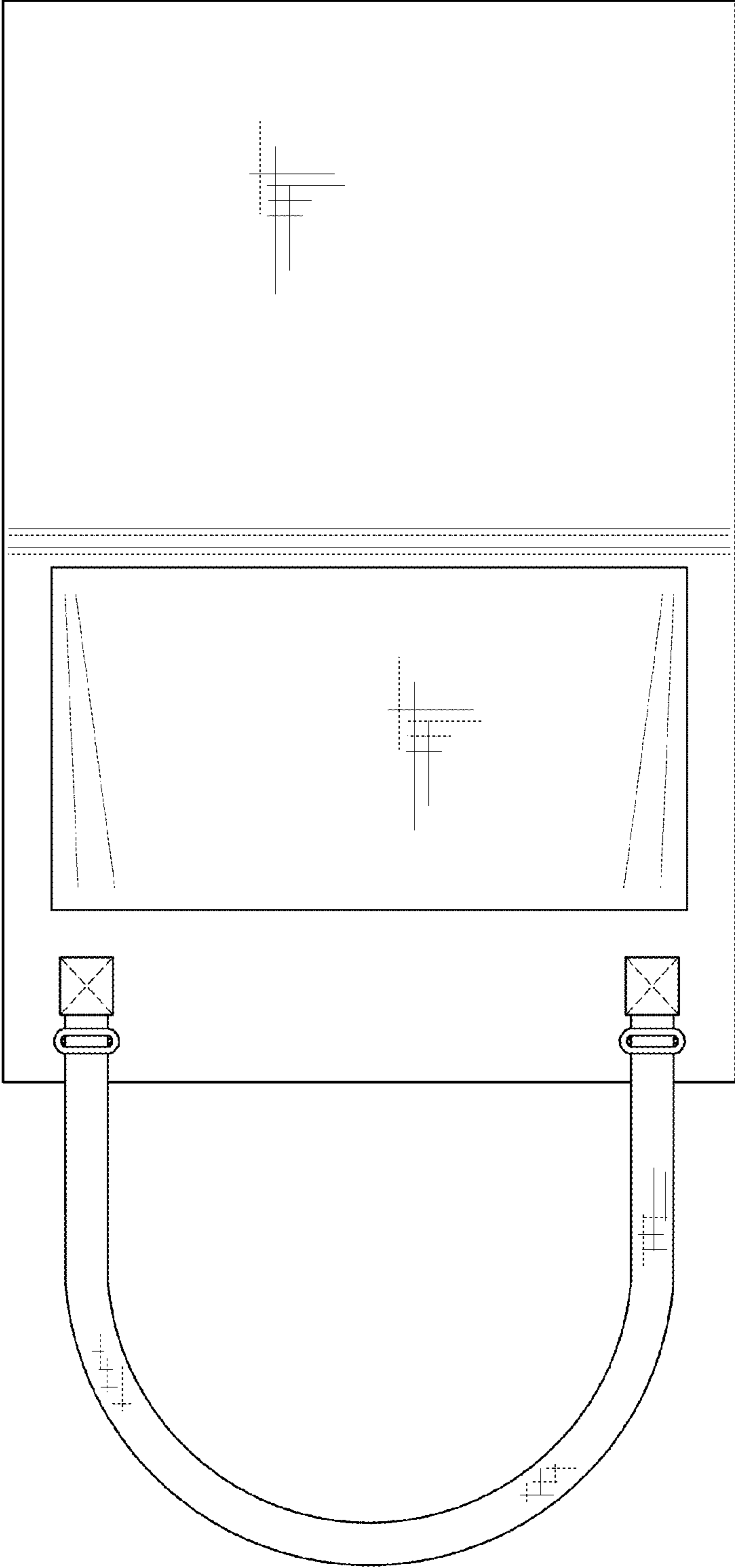


FIG. 2

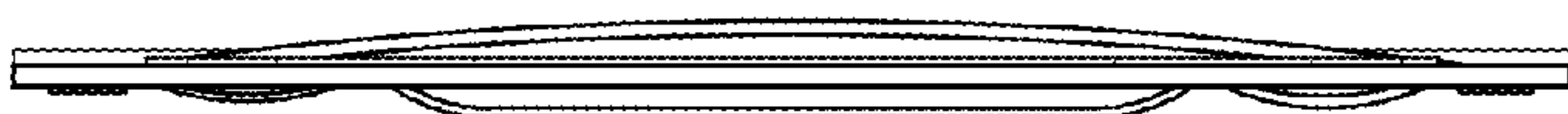


FIG. 3

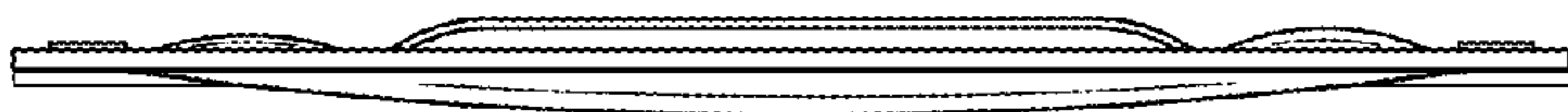


FIG. 4



FIG. 5

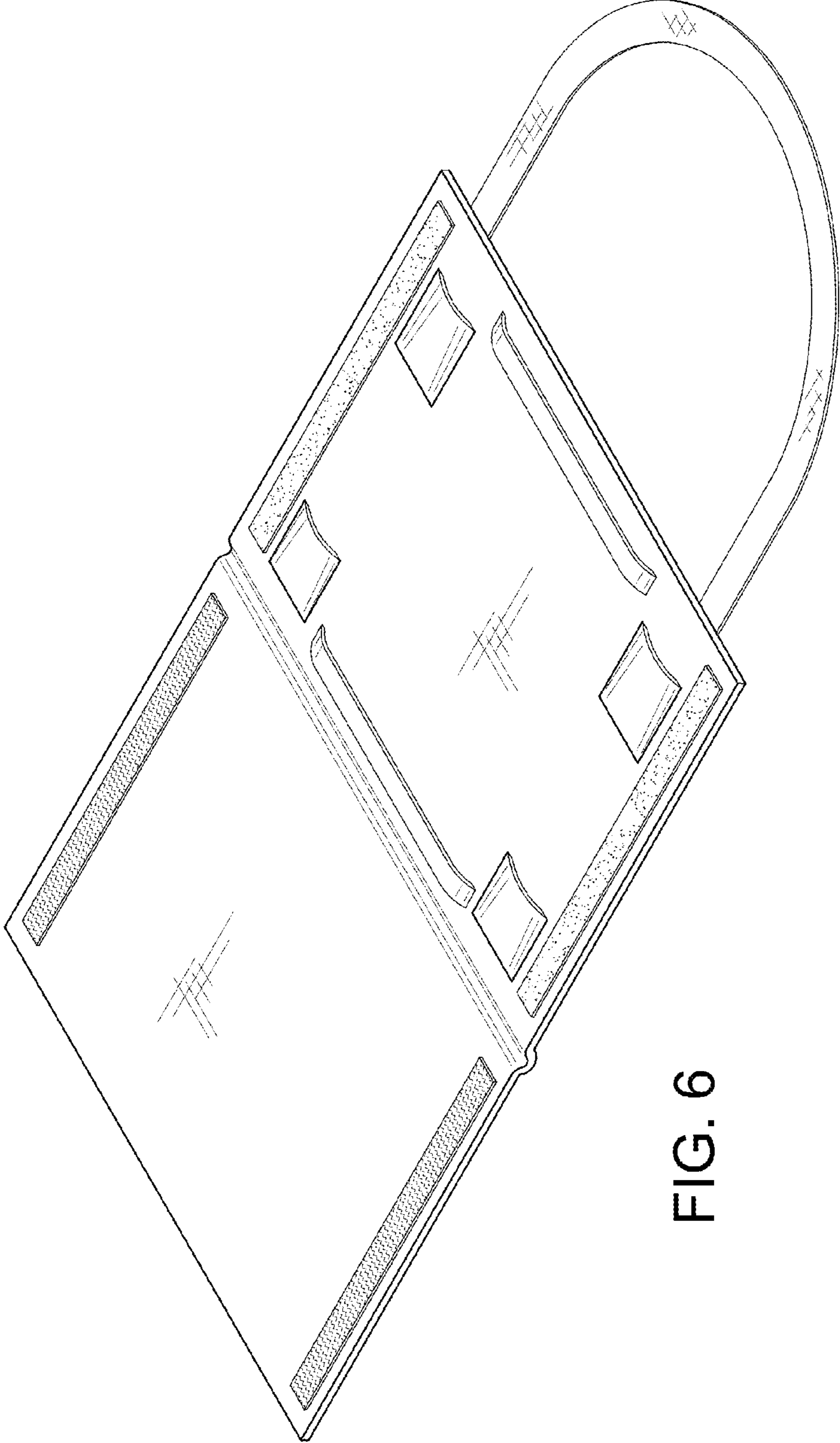


FIG. 6