



US00D730645S

(12) **United States Design Patent**  
**Slimane**

(10) **Patent No.:** **US D730,645 S**  
(45) **Date of Patent:** **\*\* Jun. 2, 2015**

(54) **SATCHEL**

(71) Applicant: **YVES SAINT LAURENT**, Paris (FR)

(72) Inventor: **Hedi Slimane**, West Hollywood, CA  
(US)

(73) Assignee: **YVES SAINT LAURENT**, Paris (FR)

(\*\*) Term: **14 Years**

(21) Appl. No.: **29/478,072**

(22) Filed: **Dec. 31, 2013**

(51) **LOC (10) Cl.** ..... **03-01**

(52) **U.S. Cl.**  
USPC ..... **D3/243**

(58) **Field of Classification Search**  
USPC ..... D3/232-233, 240-243, 245-246  
CPC ..... A45C 1/024; A45C 3/06  
See application file for complete search history.

(56) **References Cited**

U.S. PATENT DOCUMENTS

D524,045 S \* 7/2006 Handley ..... D3/243  
D632,889 S \* 2/2011 Jobert ..... D3/243  
D644,023 S \* 8/2011 Jobert ..... D3/243

\* cited by examiner

*Primary Examiner* — Holly Baynham

(74) *Attorney, Agent, or Firm* — Donald J. Ranft; Kristen A. Mogavero; Collen IP

(57) **CLAIM**

The ornamental design for a satchel, as shown.

**DESCRIPTION**

FIG. 1 is a front left perspective view of a satchel showing my new design;  
FIG. 2 is a front view thereof;  
FIG. 3 is a rear view thereof;  
FIG. 4 is a right side view thereof;  
FIG. 5 is a left side view thereof;  
FIG. 6 is a top view thereof;  
FIG. 7 is a bottom view thereof; and,  
FIG. 8 is a bottom right perspective view thereof.

**1 Claim, 8 Drawing Sheets**





FIG. 1

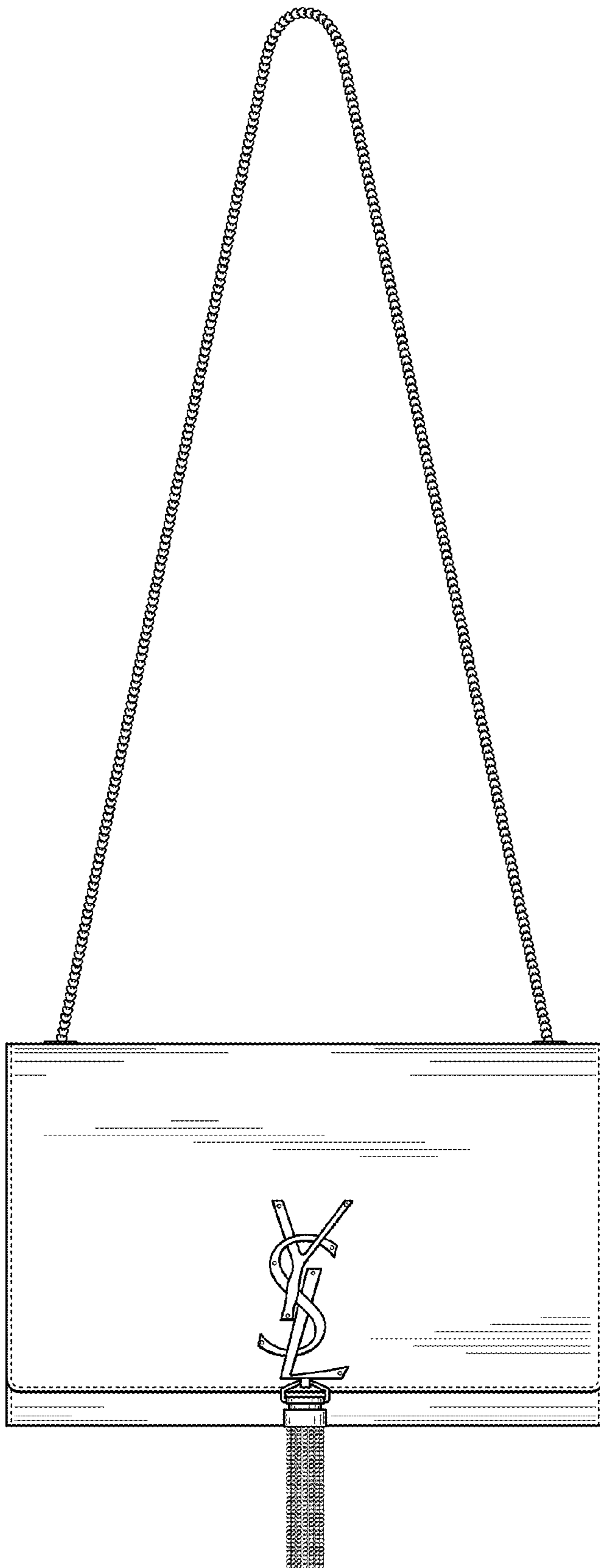


FIG. 2

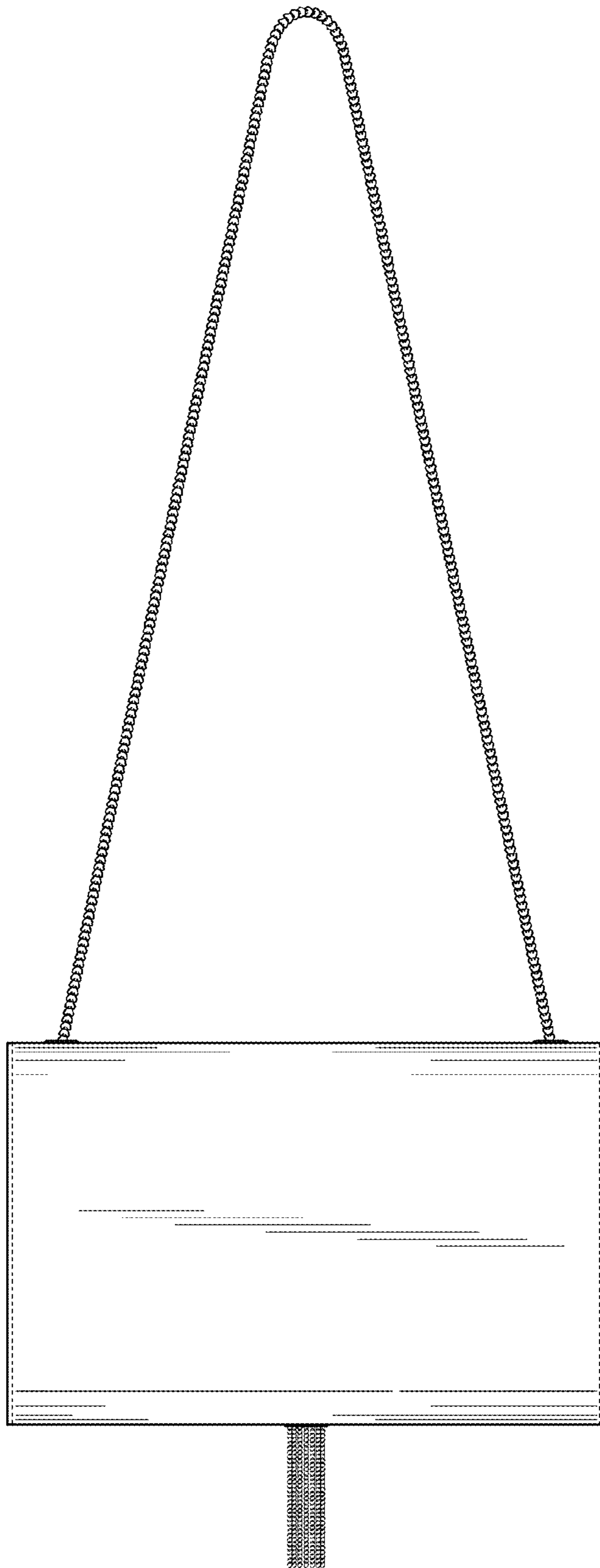


FIG. 3

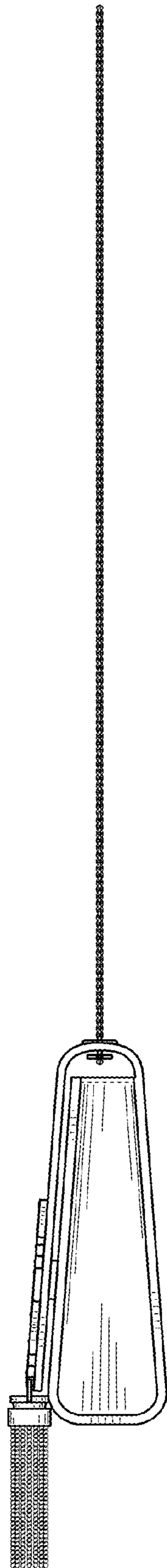


FIG. 4

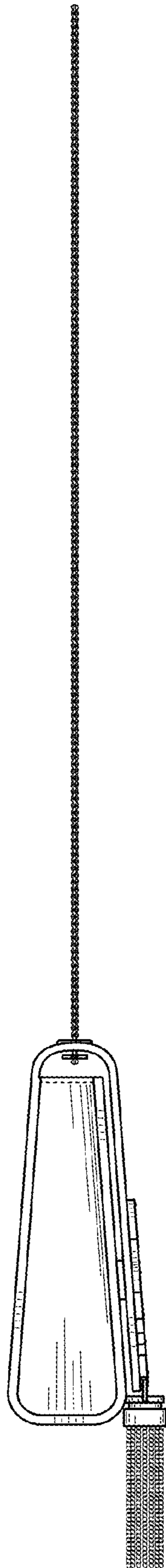


FIG. 5

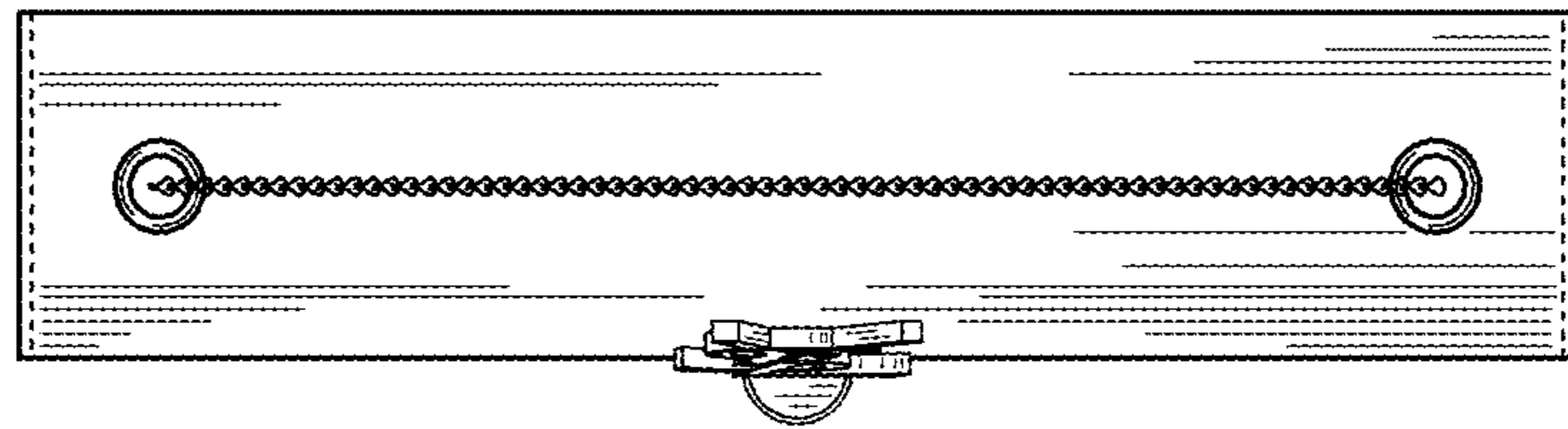


FIG. 6

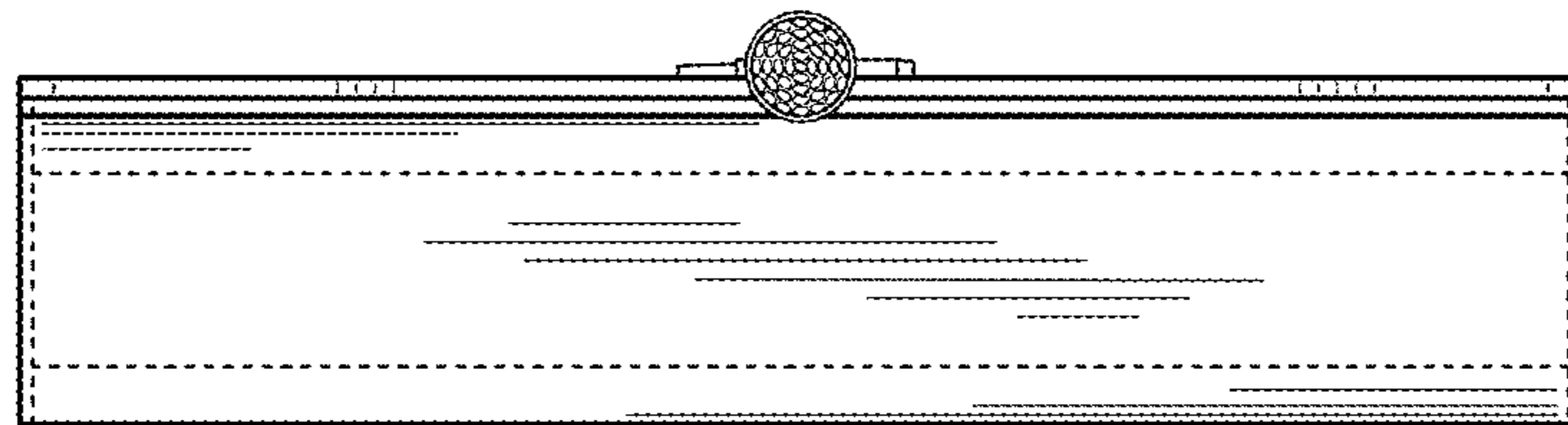


FIG. 7



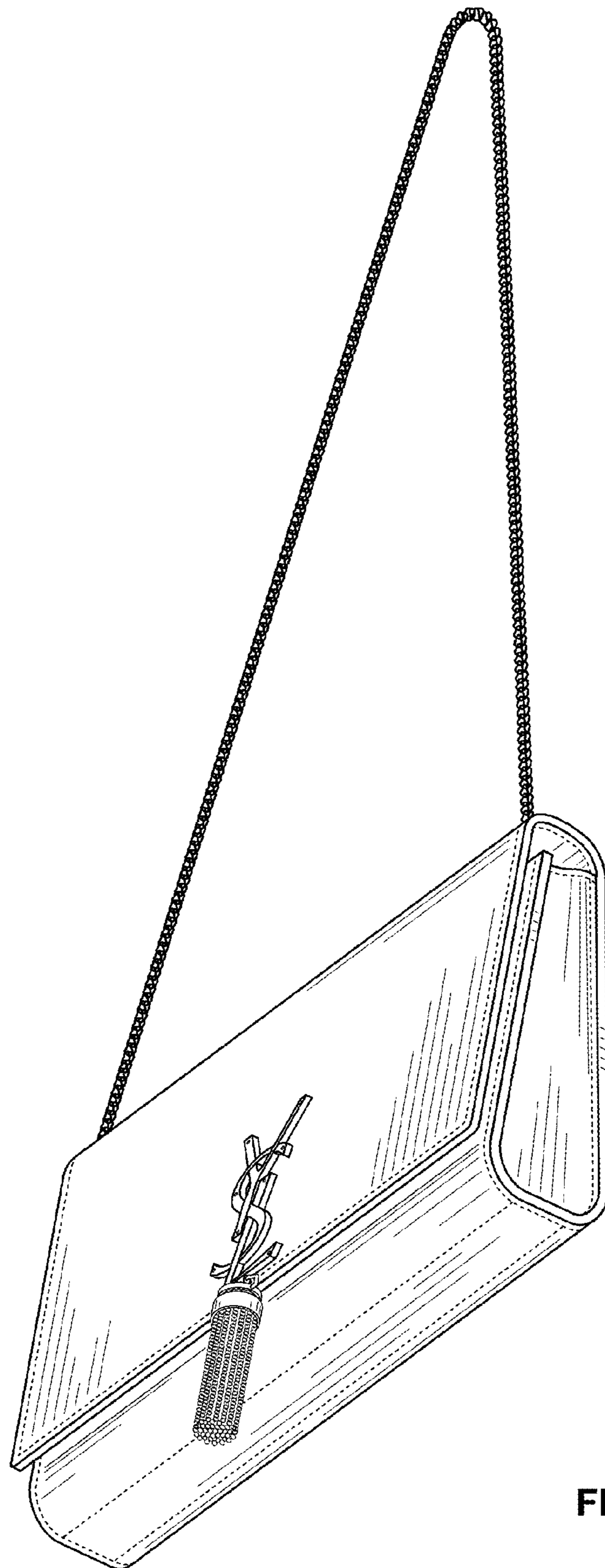


FIG. 8