



US00D730637S

(12) **United States Design Patent**
Maddocks

(10) **Patent No.:** **US D730,637 S**
(45) **Date of Patent:** **** Jun. 2, 2015**

(54) **TASSEL APPARATUS FOR PENNY LOAFERS**

(71) Applicant: **Cole Haan LLC**, New York, NY (US)

(72) Inventor: **David Maddocks**, Portland, OR (US)

(73) Assignee: **Cole Haan LLC**, New York, NY (US)

(**) Term: **14 Years**

(21) Appl. No.: **29/515,162**

(22) Filed: **Jan. 20, 2015**

(51) **LOC (10) Cl.** **02-04**

(52) **U.S. Cl.**
USPC **D2/946**

(58) **Field of Classification Search**
USPC D2/896, 923, 924, 939, 941, 943, 944,
D2/946, 975, 978; 36/83, 132, 136, 11,
36/50.1, 51
CPC A43C 1/00; A43C 1/003; A43C 1/006;
A43C 1/02; A43C 1/04; A43C 1/06; A43C
9/00; A43C 9/02; A43C 9/04; A43C 9/06;
A43C 9/08; A43C 11/00; A43C 11/004;
A43C 11/006; A43C 11/008; A43C 11/002

See application file for complete search history.

(56) **References Cited**

U.S. PATENT DOCUMENTS

49,435	A *	8/1865	Perley	24/17 A
277,609	A	5/1883	Remington		
D35,396	S *	12/1901	Hiller	D2/978
1,649,027	A *	11/1927	Gunn	24/715.3
D87,052	S *	5/1932	Gibbons	D2/978
1,974,667	A	9/1934	Solinger		
1,999,583	A	4/1935	Bouvier		
D104,304	S *	4/1937	King	D2/978
D112,626	S *	12/1938	Wales	D2/978
D117,765	S *	11/1939	Winchester	D2/978
D130,512	S *	11/1941	Anderson	D2/978

D182,236	S *	3/1958	Kay	D2/993
2,964,010	A	12/1960	Harrison		
3,059,518	A *	10/1962	Nelson	87/2
3,105,243	A	10/1963	Kampfe et al.		
D198,307	S *	6/1964	Cohn	D2/910
D283,990	S	5/1986	Davidson		
4,786,535	A	11/1988	Young		
5,079,046	A	1/1992	Kessler		
5,234,725	A	8/1993	Smith		
5,433,981	A	7/1995	Chalfin		
D410,679	S	6/1999	Blanchard et al.		
D429,281	S	8/2000	Miller et al.		
D498,348	S *	11/2004	Hunt et al.	D2/946
D530,133	S	10/2006	Wilkins		
7,182,483	B2	2/2007	Stern et al.		
D579,188	S *	10/2008	Le	D2/970
D594,643	S *	6/2009	Moore	D2/978
D616,184	S *	5/2010	Ng	D2/946
7,993,711	B2	8/2011	DeMoor		
D669,676	S *	10/2012	Nakamura	D2/978
D683,991	S	6/2013	Smith		
D709,686	S *	7/2014	LaRusso	D2/978
D713,283	S *	9/2014	Nghiem et al.	D11/3
2005/0191438	A1	9/2005	Tarasuk		

* cited by examiner

Primary Examiner — Elizabeth J Oswecki

(74) *Attorney, Agent, or Firm* — Thompson Coburn LLP

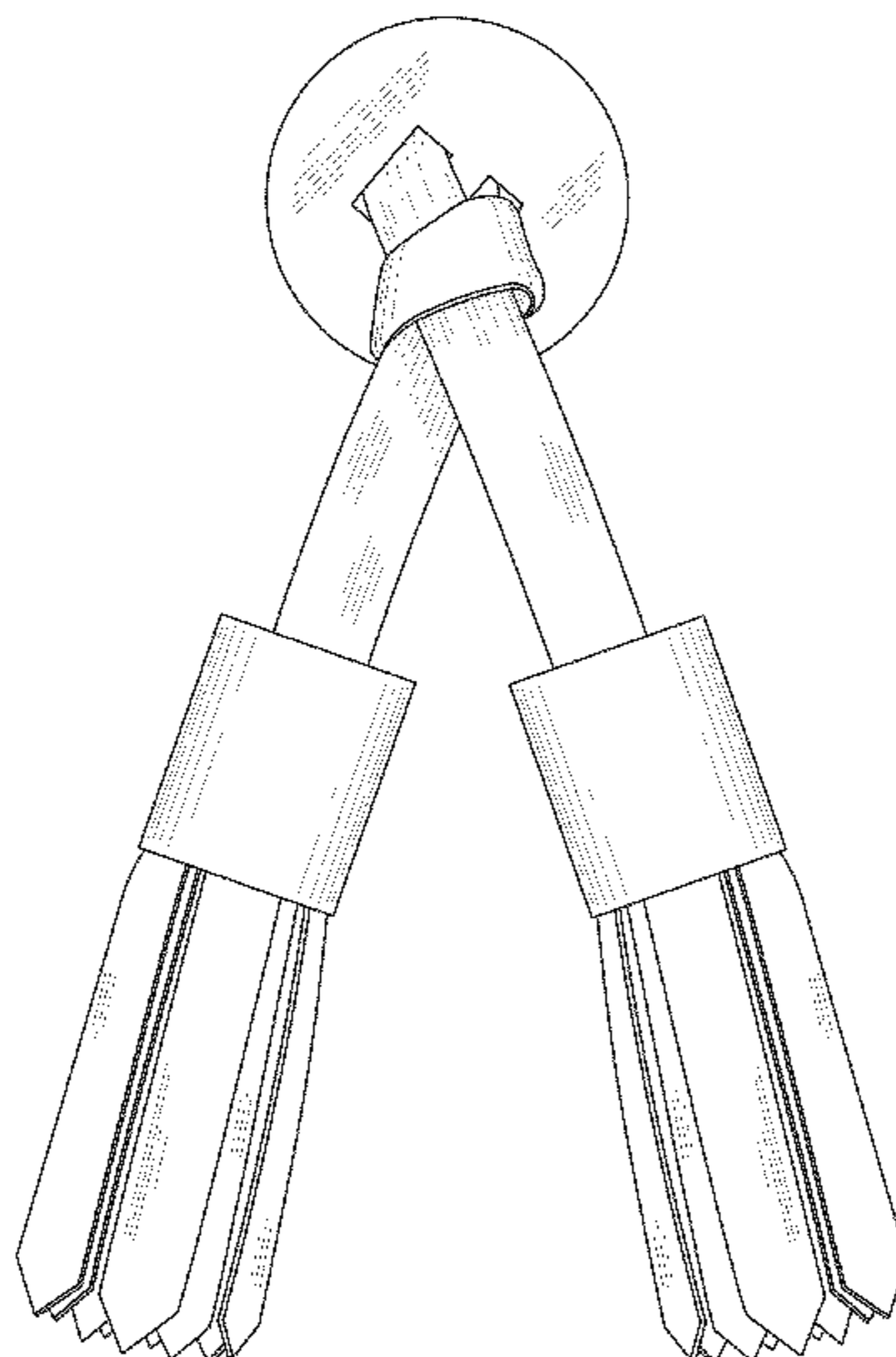
(57) **CLAIM**

The ornamental design for a tassel apparatus for penny loafers, as shown and described.

DESCRIPTION

FIG. 1 is a top view of a tassel apparatus for penny loafers showing my new design;
FIG. 2 is a bottom view thereof;
FIG. 3 is a left side elevation view thereof;
FIG. 4 is a right side elevation view thereof;
FIG. 5 is a front view thereof; and,
FIG. 6 is a rear view thereof.

1 Claim, 6 Drawing Sheets



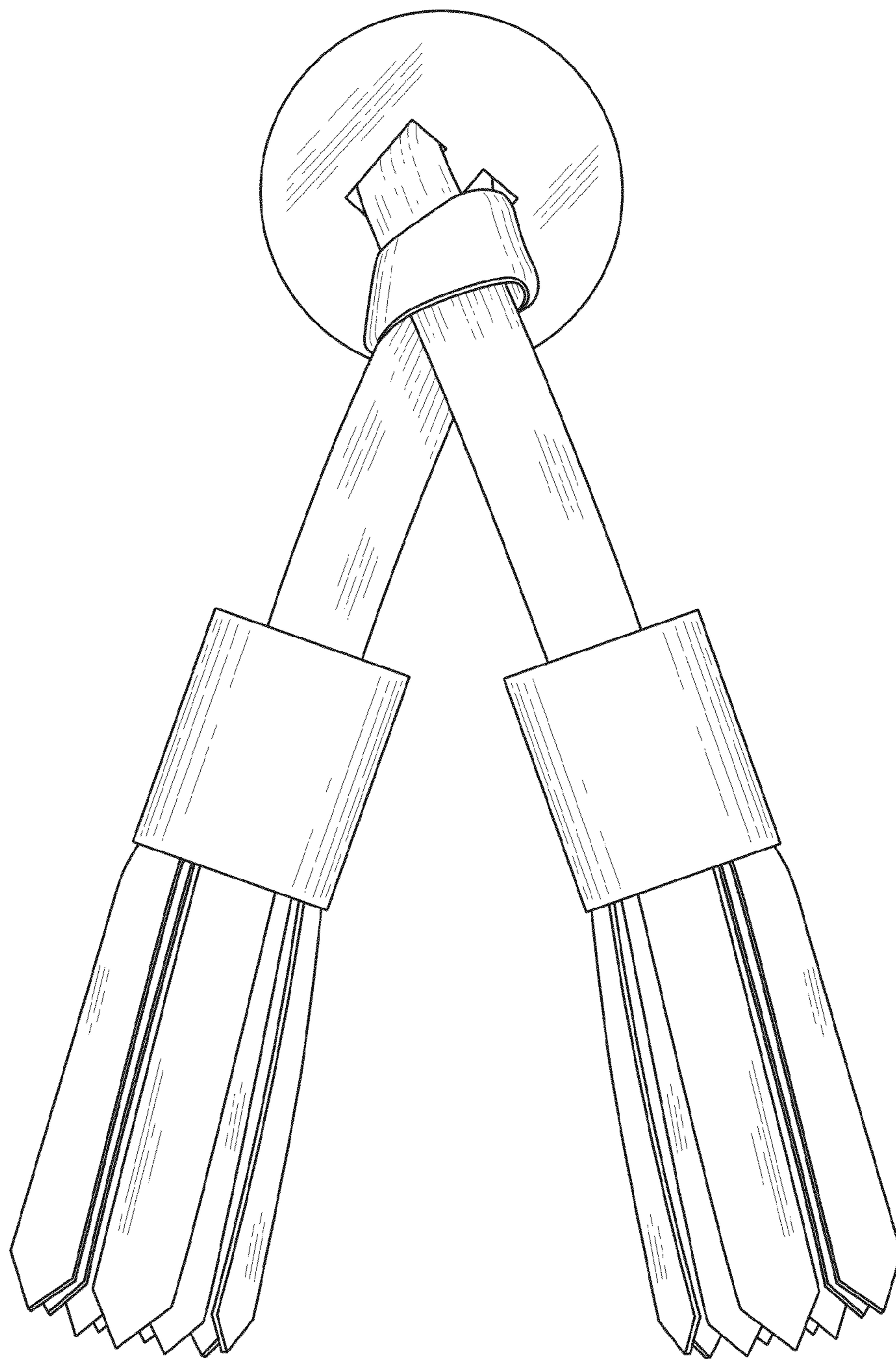


FIG. 1

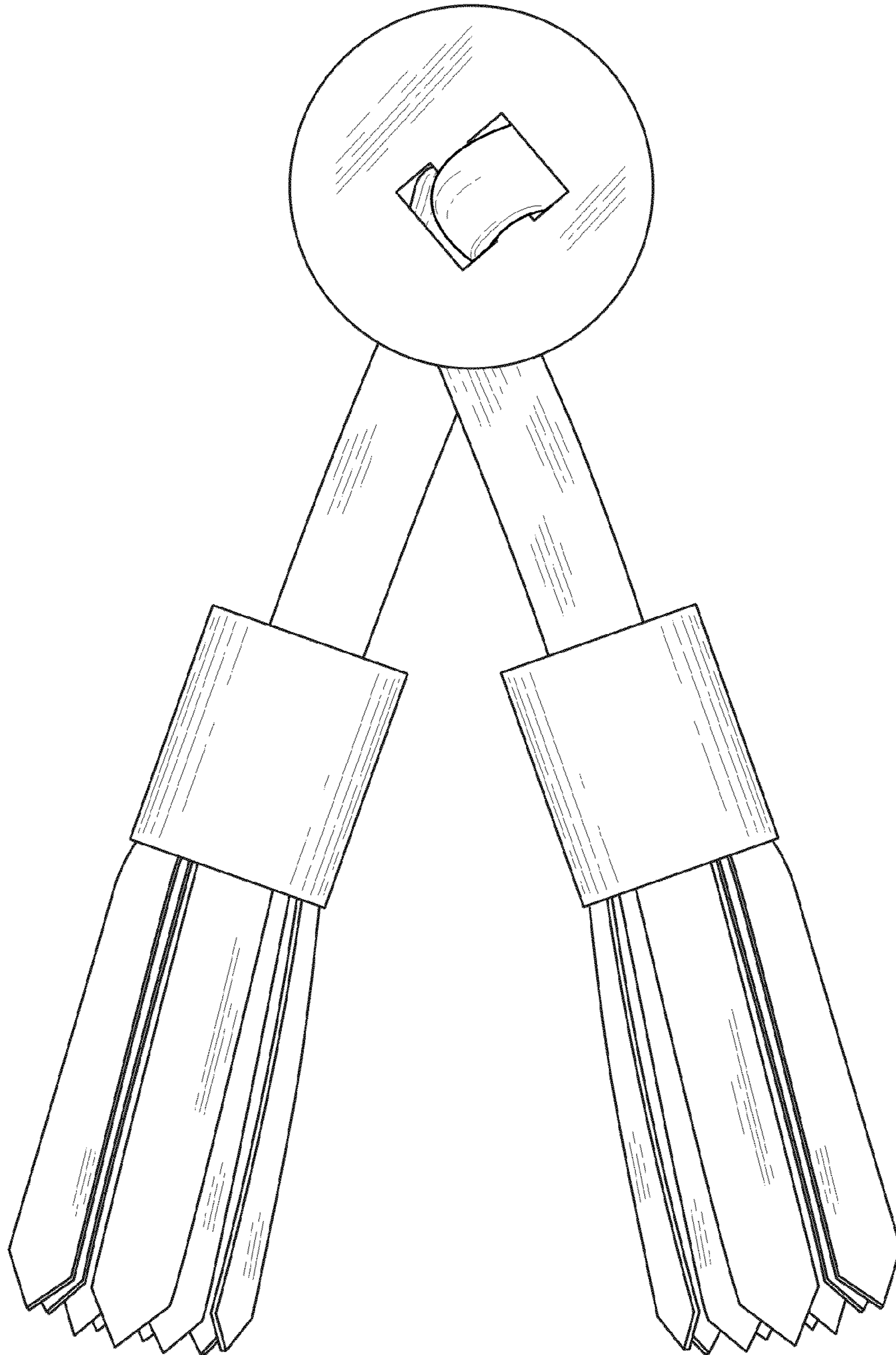


FIG. 2

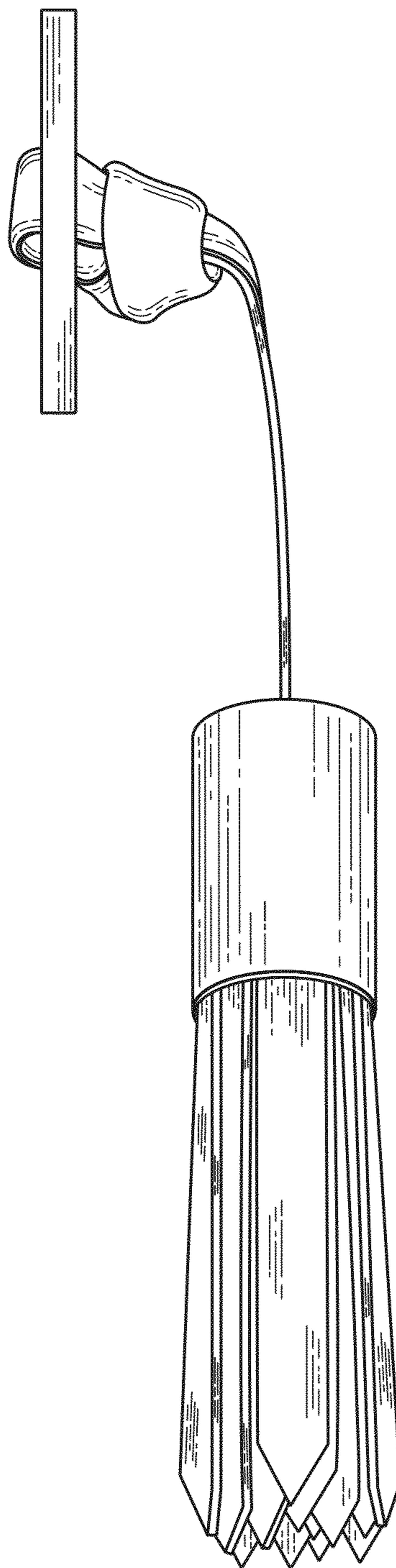


FIG. 3

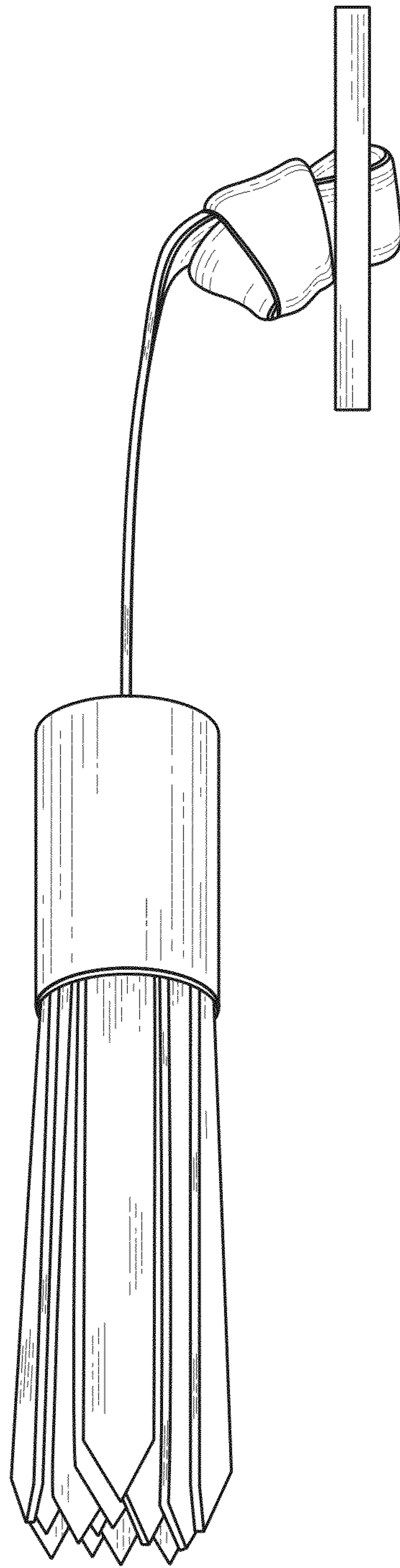


FIG. 4

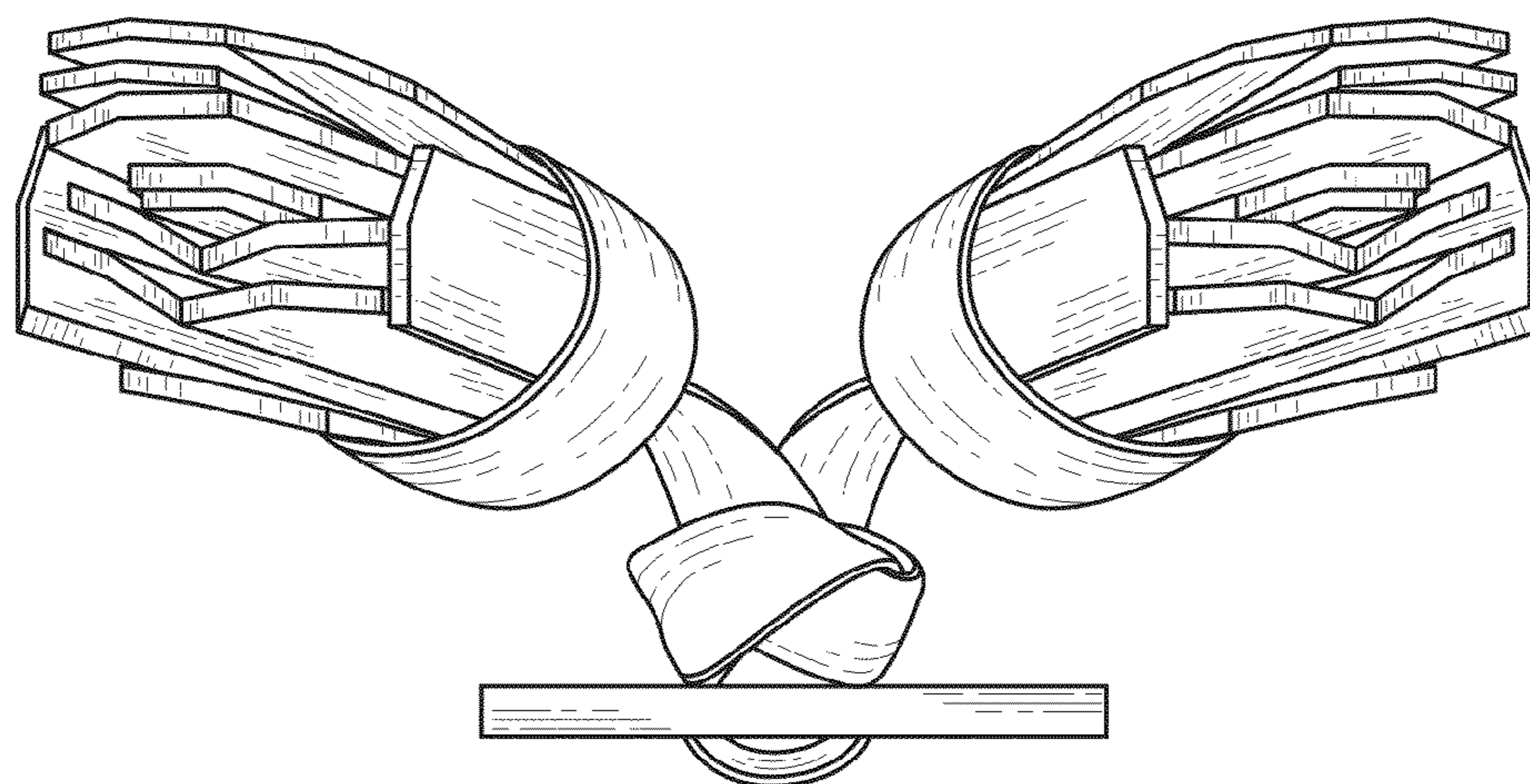


FIG. 5

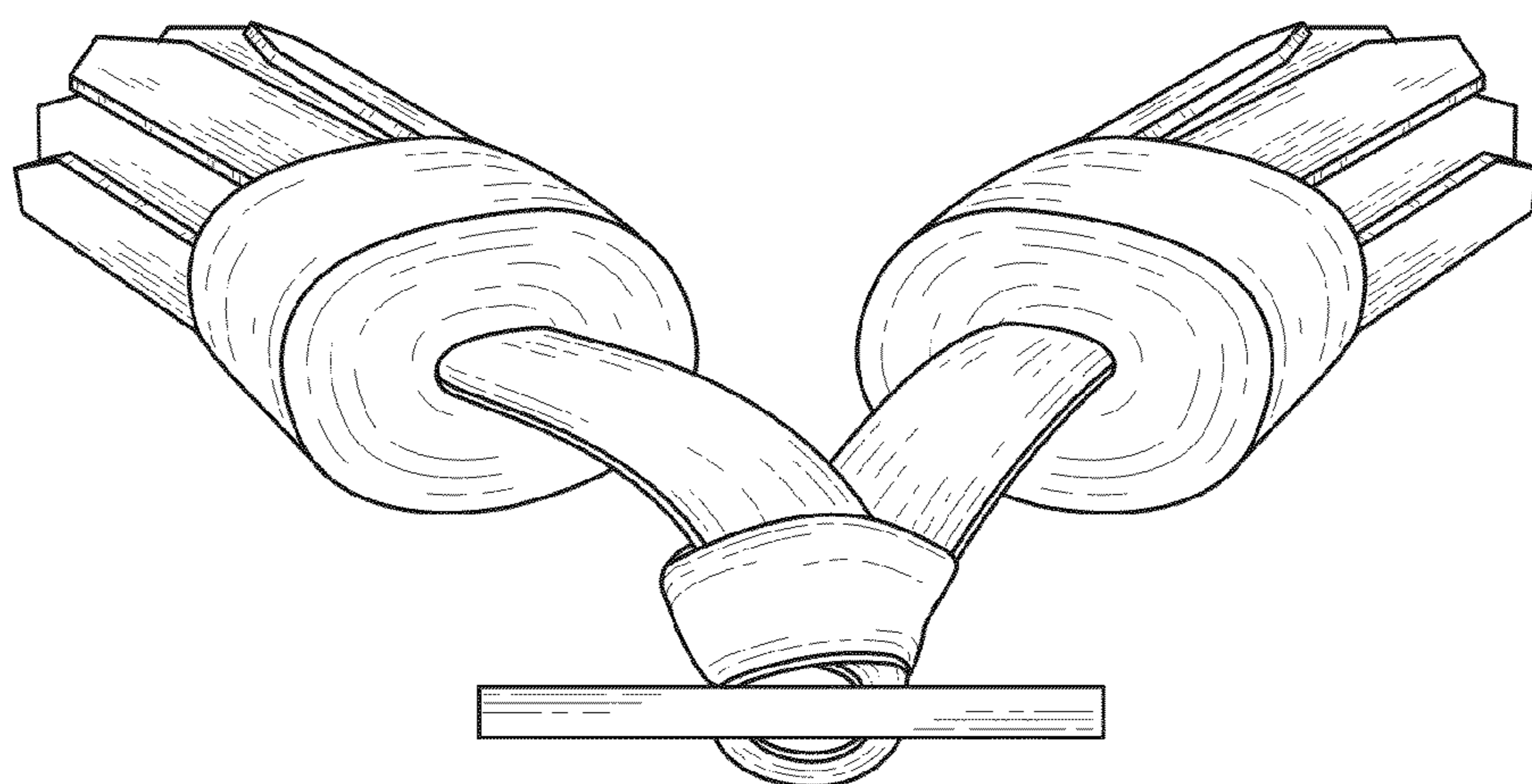


FIG. 6