



US00D730631S

(12) **United States Design Patent**
McCusker-Short

(10) **Patent No.:** **US D730,631 S**
(45) **Date of Patent:** **** Jun. 2, 2015**

(54) **PAIR OF BOOTS WITH RECEPTACLE FOR INTERCHANGEABLE INSERTS**

(71) Applicant: **Susan McCusker-Short**, Reading, MA (US)

(72) Inventor: **Susan McCusker-Short**, Reading, MA (US)

(**) Term: **14 Years**

(21) Appl. No.: **29/476,570**

(22) Filed: **Dec. 13, 2013**

(51) **LOC (10) Cl.** **02-04**

(52) **U.S. Cl.**
USPC **D2/911**

(58) **Field of Classification Search**

USPC D2/896, 900, 901, 909-911, 943, 946,
D2/969, 970; 36/83, 1.5, 2 R, 109, 3 A,
36/7.1 R, 45, 52, 112, 100

See application file for complete search history.

(56) **References Cited**

U.S. PATENT DOCUMENTS

D101,277 S *	9/1936	Issaly	D2/910
D123,668 S *	11/1940	Donner	D2/911
D126,743 S *	4/1941	Coleman	D2/901
D155,573 S *	10/1949	Bingham, Jr.	D2/910
D222,224 S *	10/1971	Mickens	D2/901
D306,921 S *	3/1990	Pettinelli	D29/120.1
D599,984 S *	9/2009	Madden	D2/910
D623,385 S *	9/2010	Stansberry et al.	D2/910

* cited by examiner

Primary Examiner — Ian Simmons

Assistant Examiner — Rashida C McCoy

(74) *Attorney, Agent, or Firm* — Kaleb Pan

(57) **CLAIM**

The ornamental design for a pair of boots with receptacles for interchangeable inserts, as shown and described.

DESCRIPTION

FIG. 1: front perspective view, cuff down, removable insert in place

FIG. 2: top side view, cuff down, removable insert in place

FIG. 3: right side orthogonal view, cuff down, removable insert in place

FIG. 4: front orthogonal view, cuff down, removable insert in place

FIG. 5: rear orthogonal view, cuff down, removable insert in place

FIG. 6: right side orthogonal view, cuff down, removable insert in place

FIG. 7: bottom side view, cuff down, removable insert in place

FIG. 8: front perspective view, cuff up, with removable insert removed

FIG. 9: front perspective view, cuff up, with removable insert removed

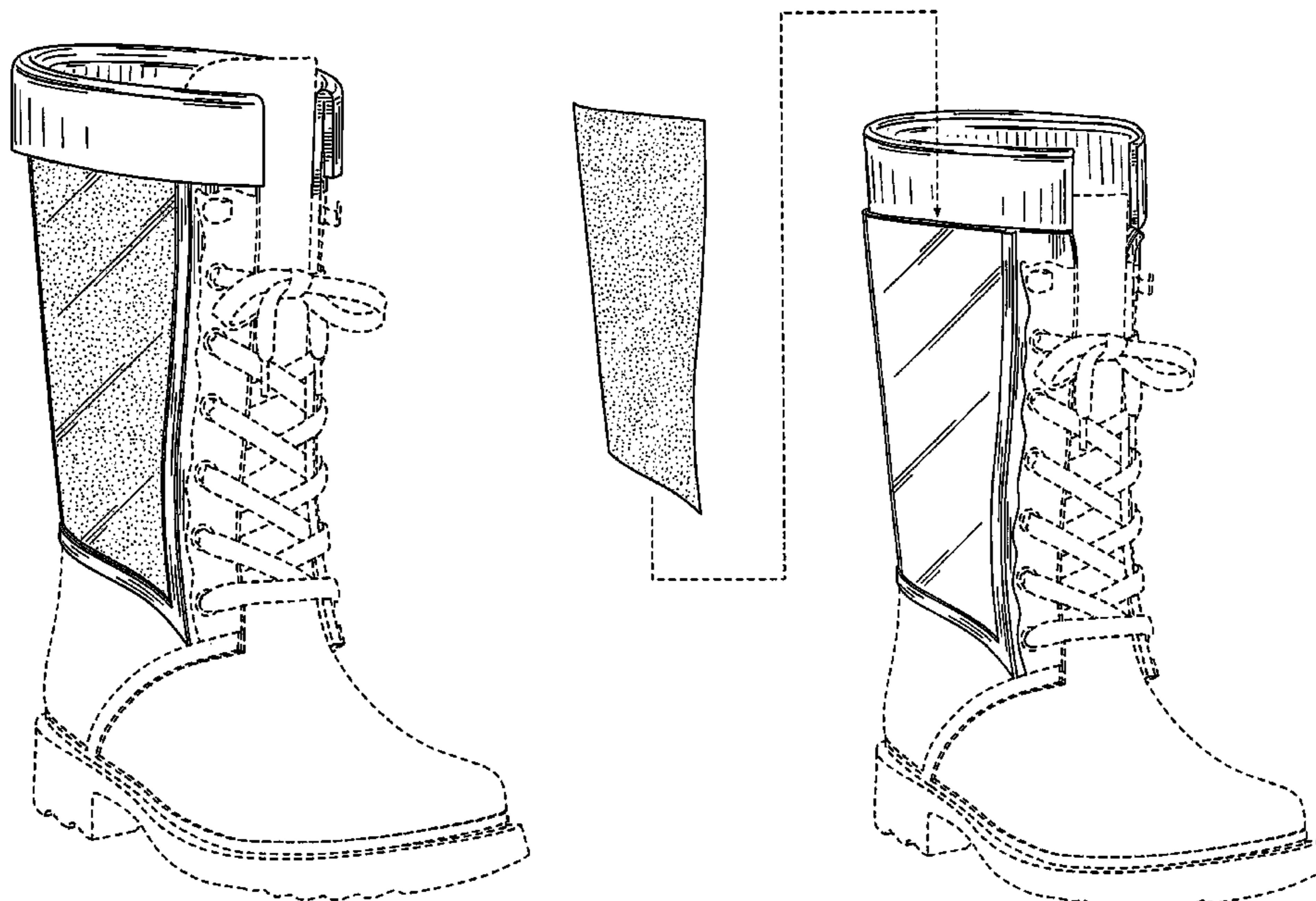
FIG. 10: front orthogonal view, cuff up, with removable insert removed; and,

FIG. 11: rear orthogonal view, cuff up, with removable insert removed.

The Figures depicts either the left side or the right side boot only in each view. Both the right and left sides of the boot have the identical design and the claim is directed towards the design as applied to both the right and left boots.

The broken lines showing the remainder of the boot and removable inserts are unclaimed environment and form no part of the claim.

1 Claim, 8 Drawing Sheets



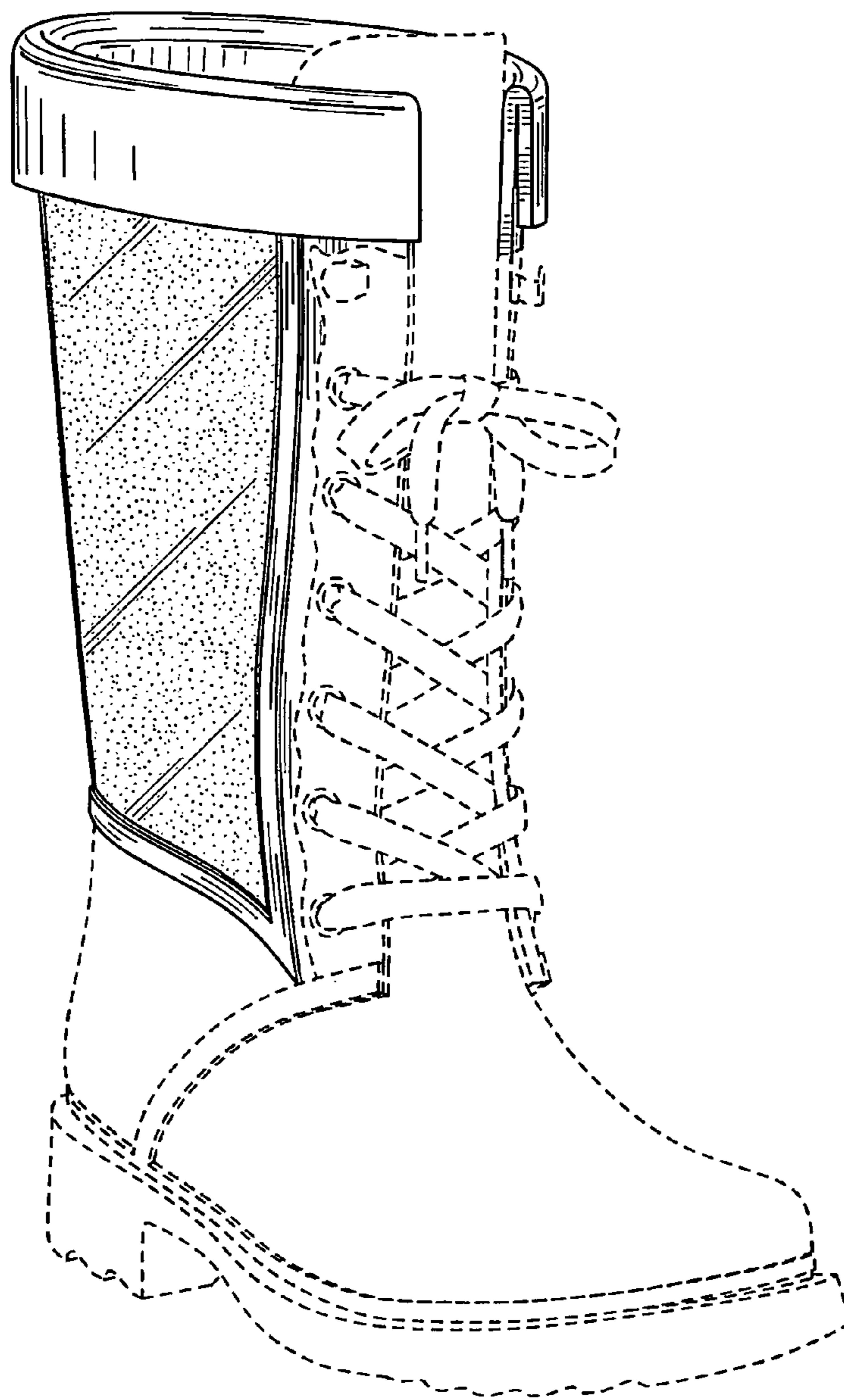


FIG. 1

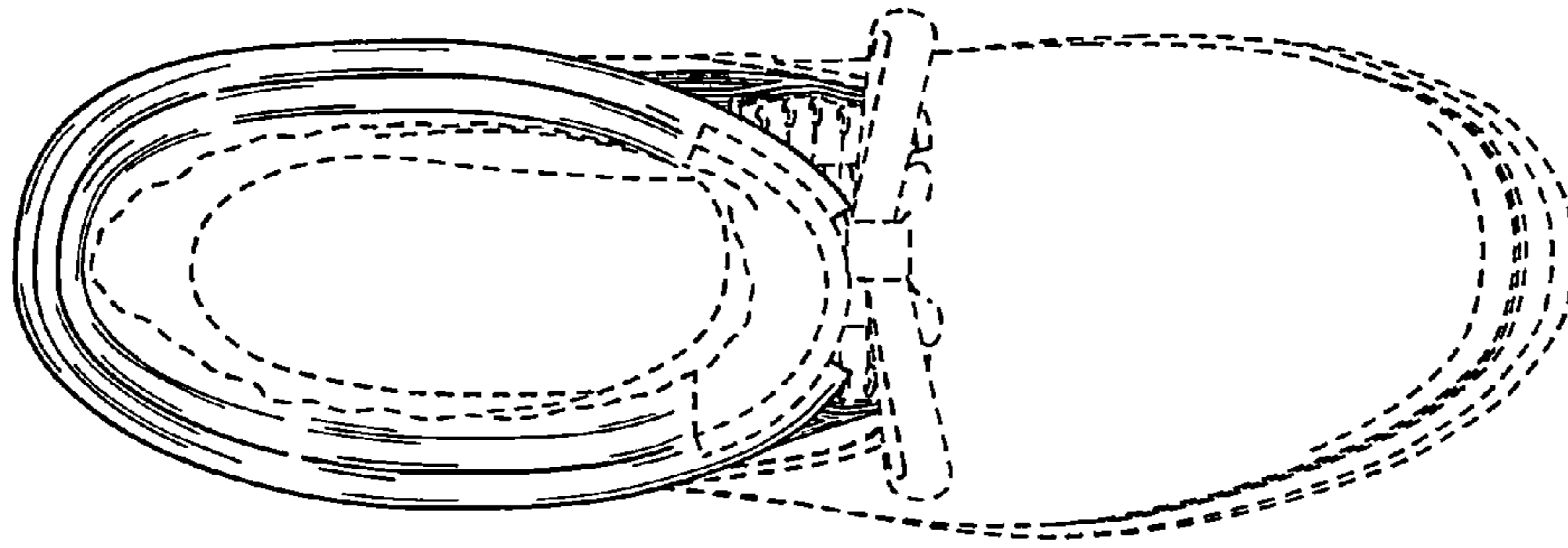


FIG. 2

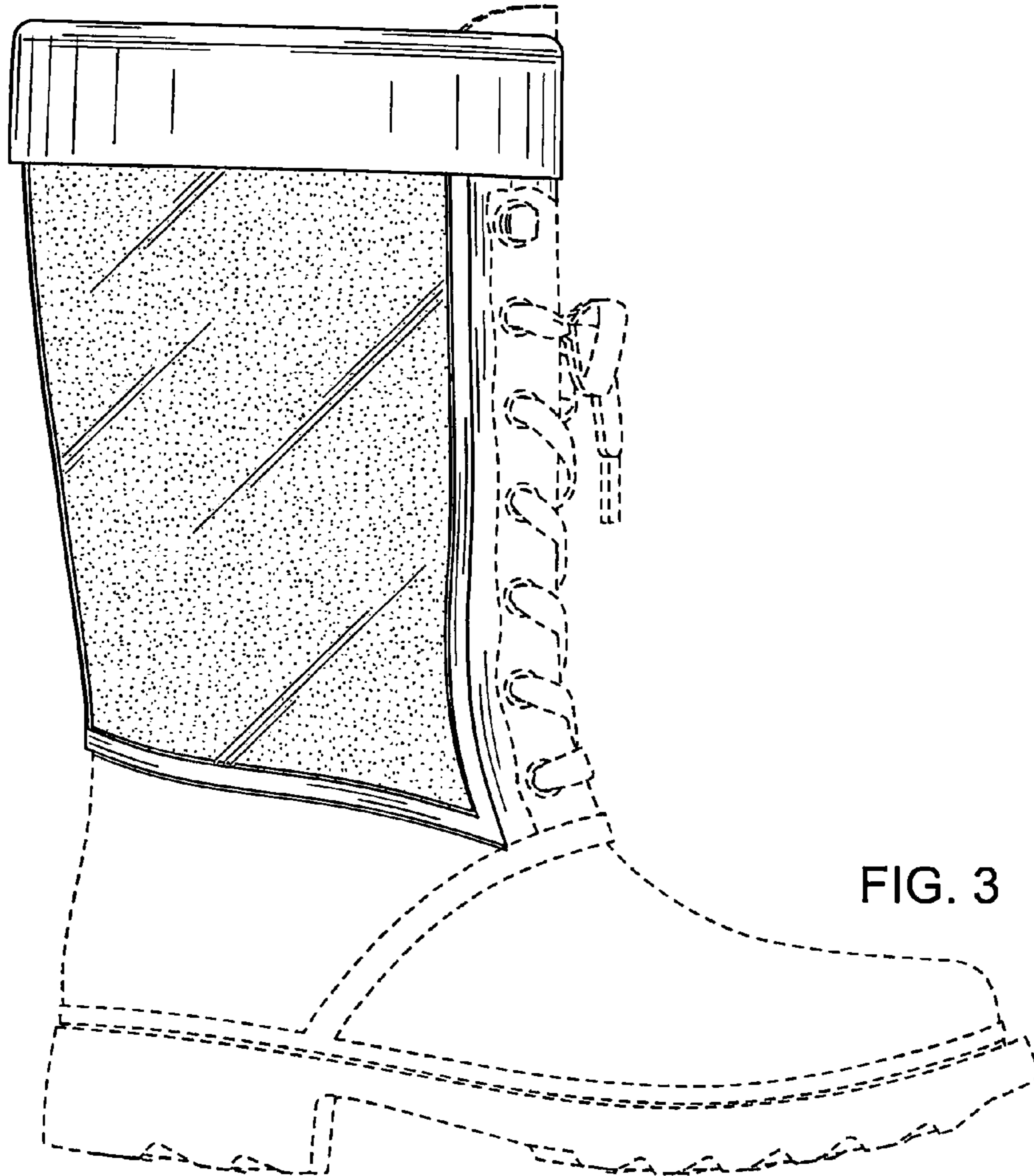


FIG. 3

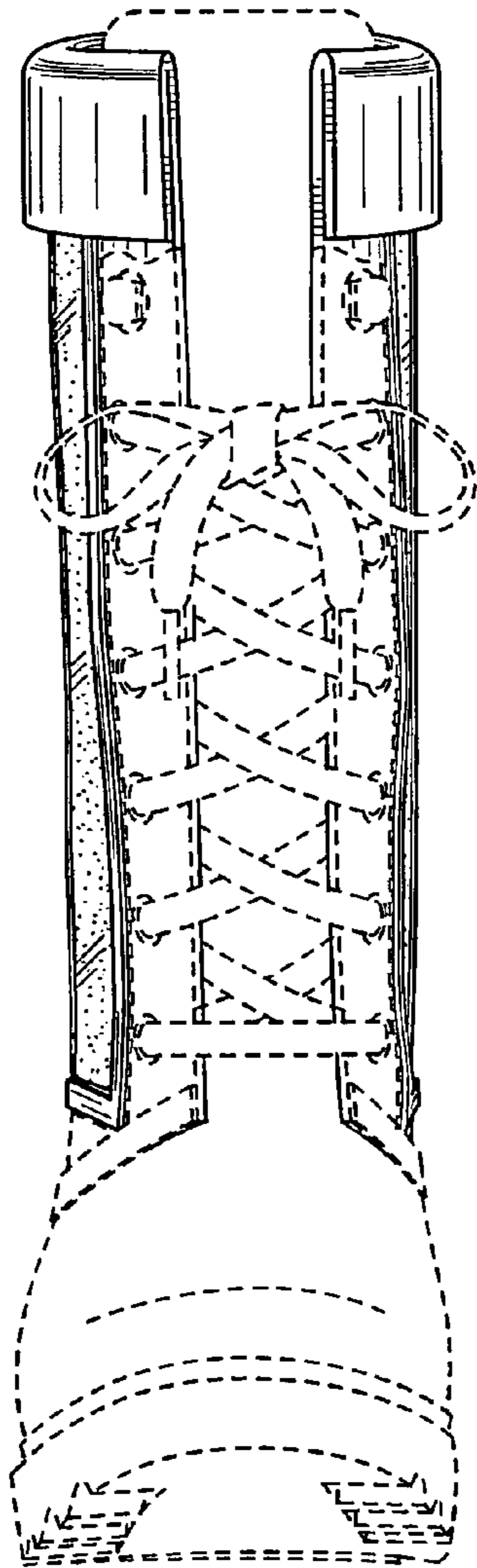


FIG. 4

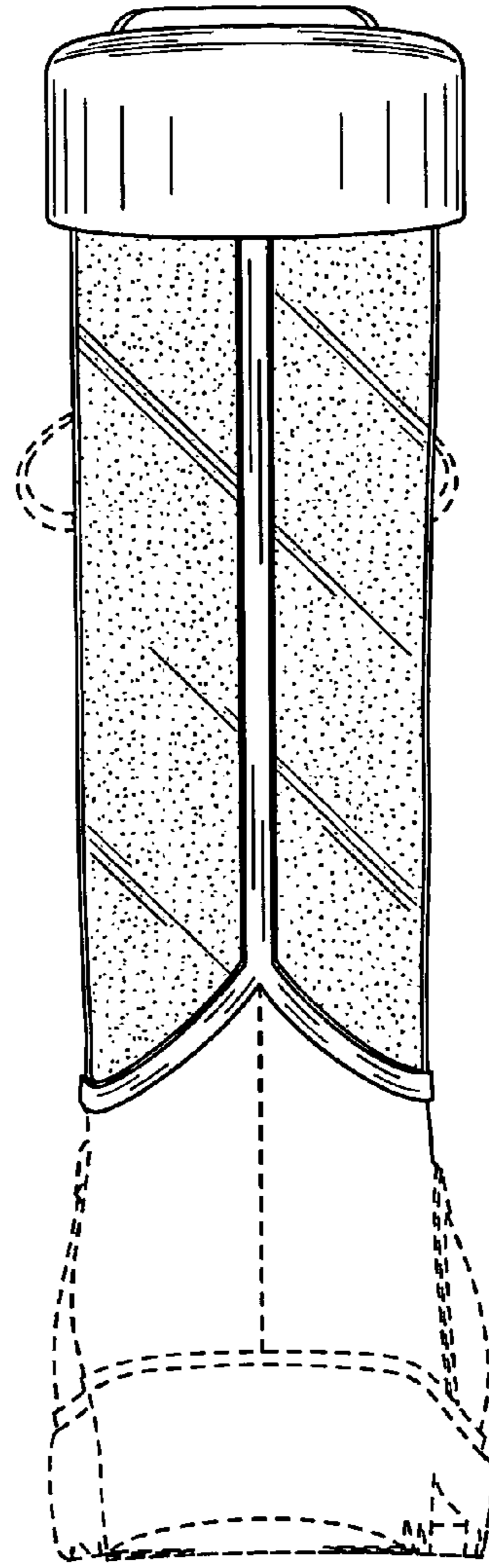


FIG. 5

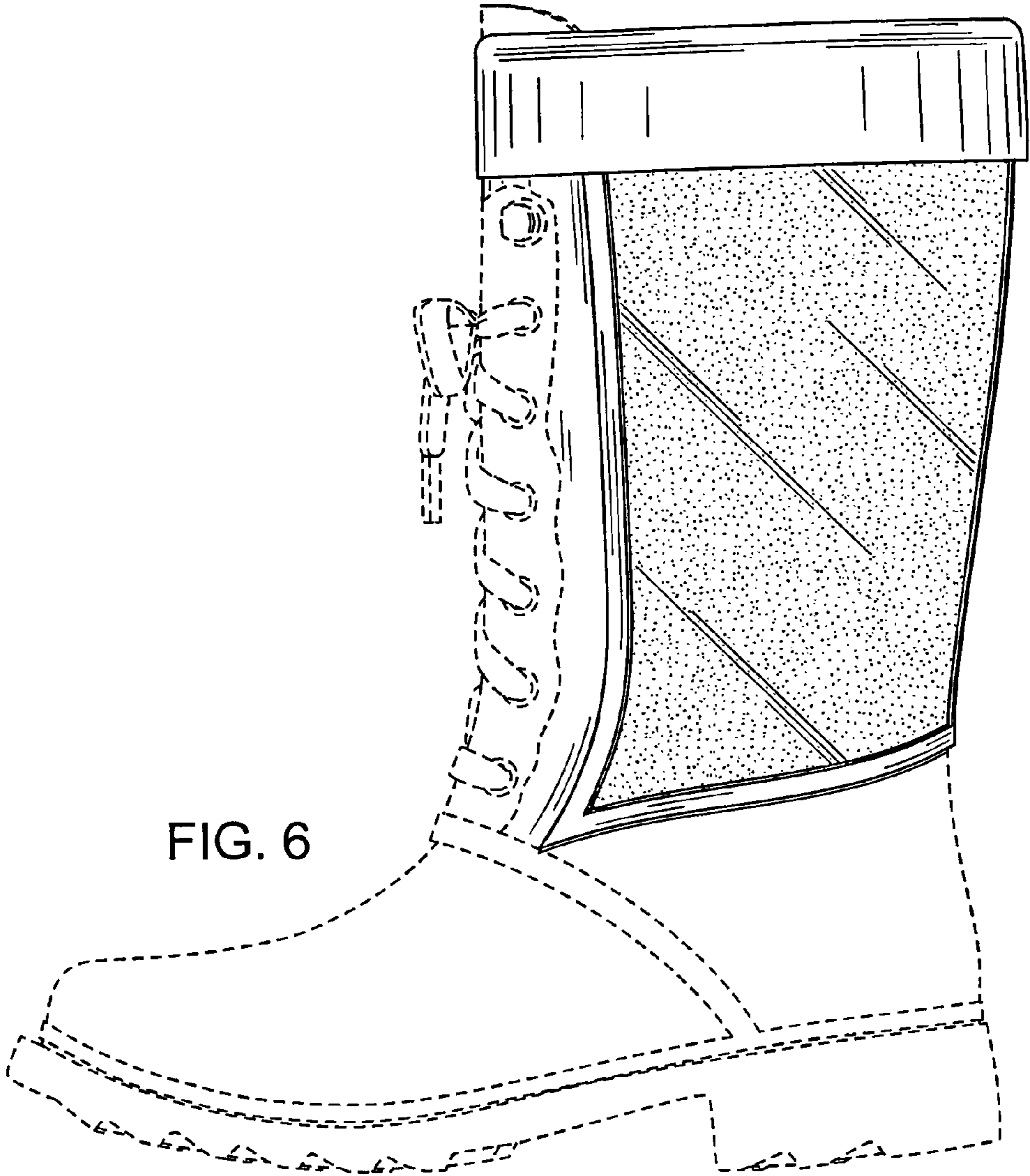


FIG. 6

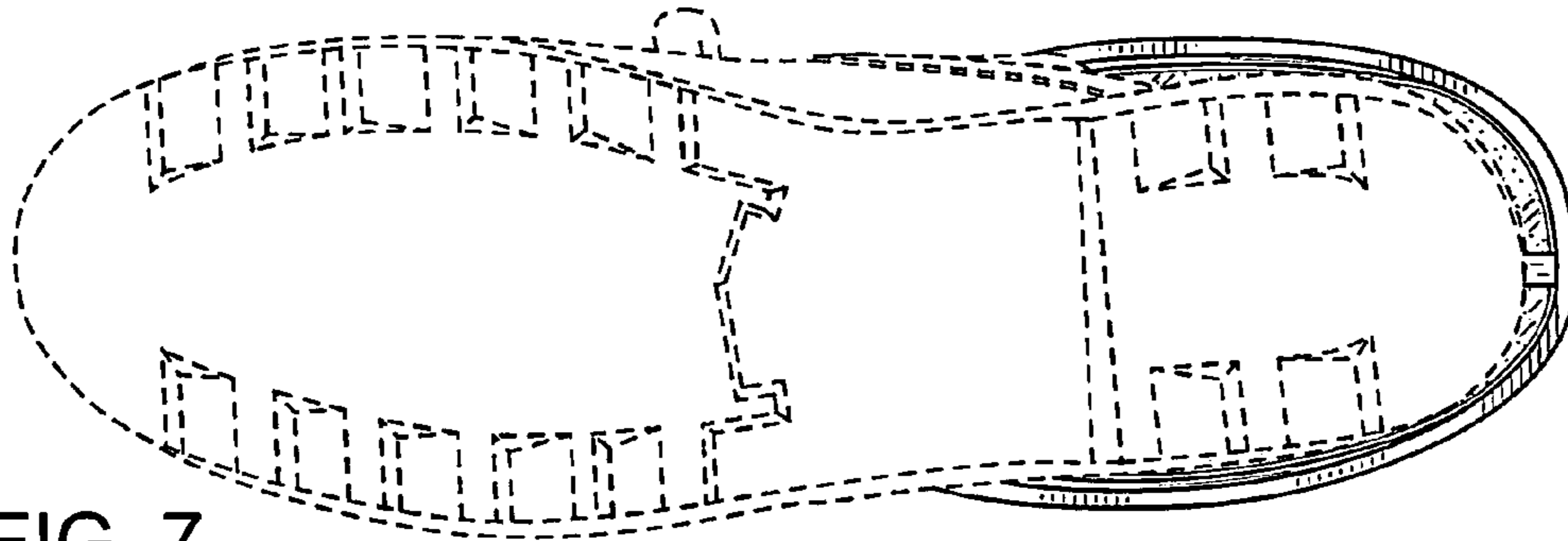


FIG. 7

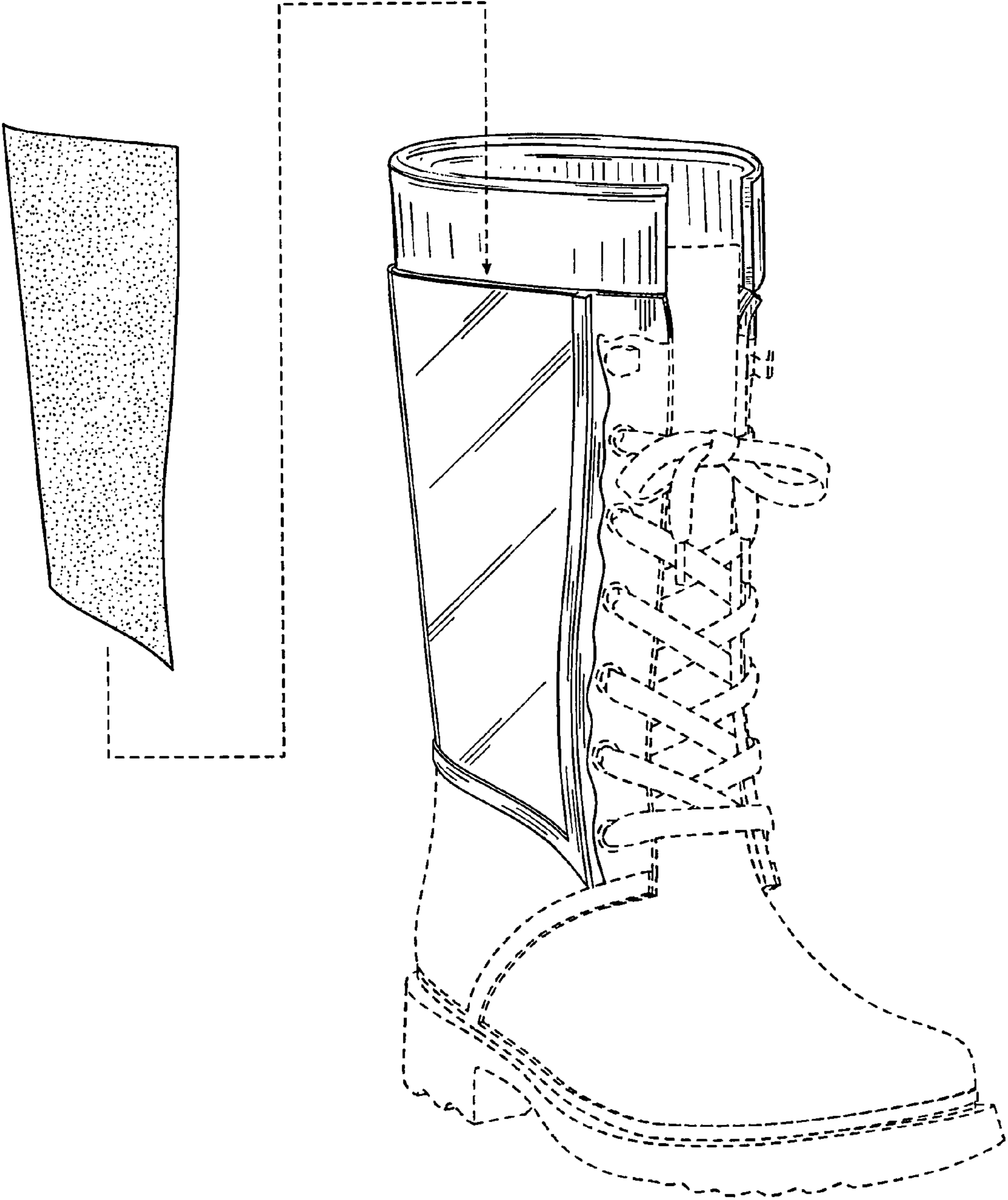


FIG. 8

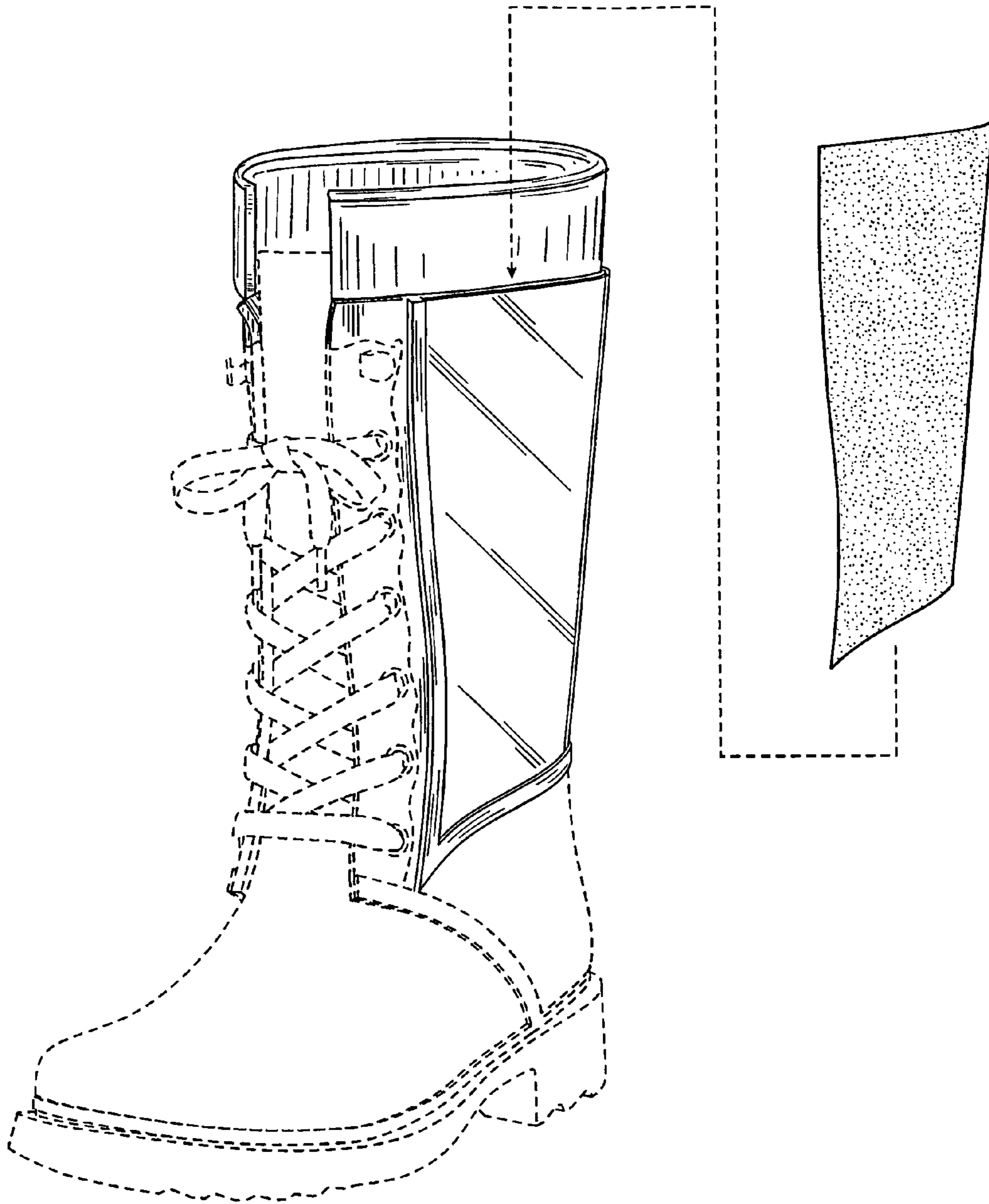


FIG. 9

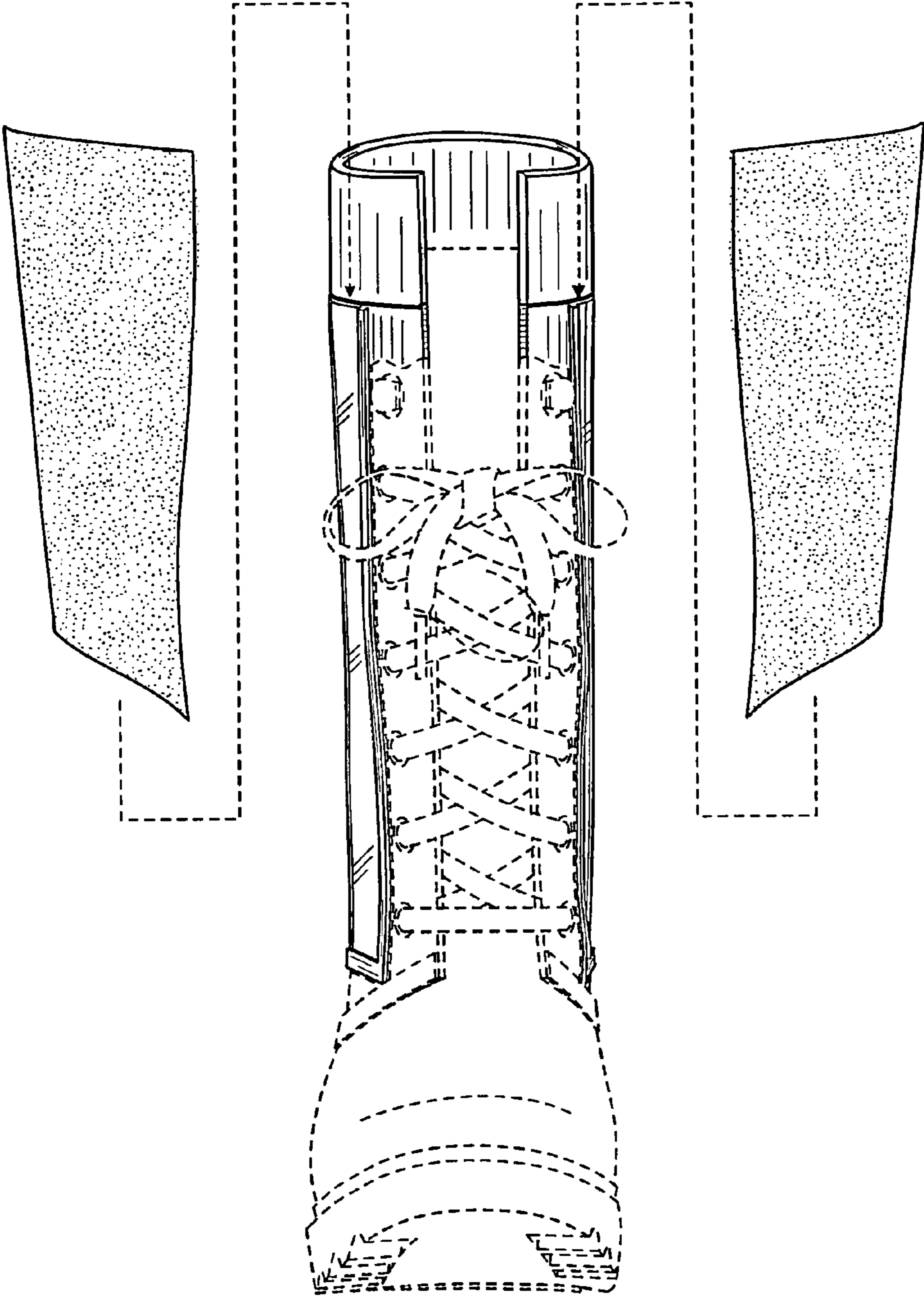


FIG. 10

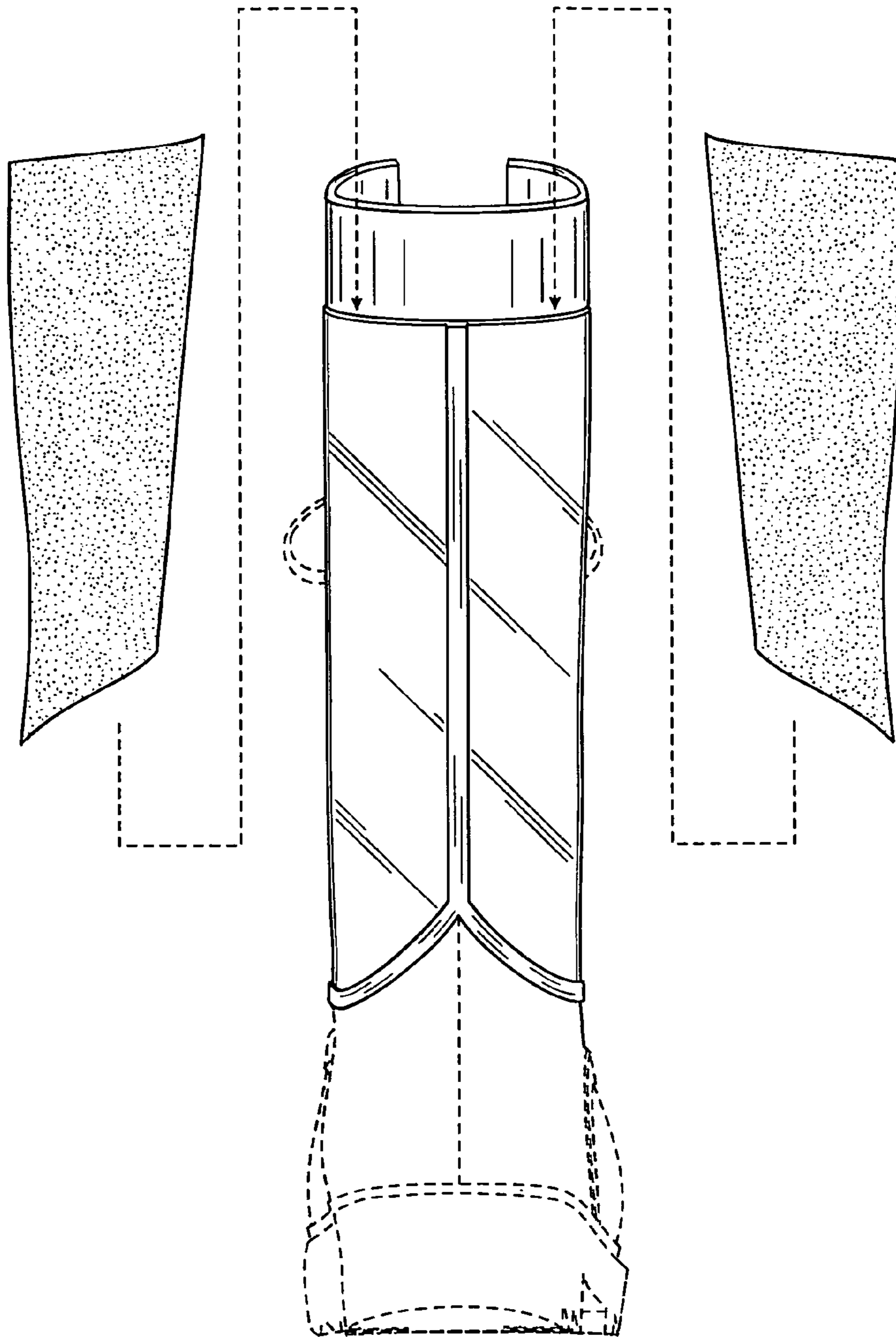


FIG. 11