



US00D730630S

(12) **United States Design Patent**
Duff

(10) **Patent No.:** **US D730,630 S**
(45) **Date of Patent:** **** Jun. 2, 2015**

- (54) **BASEBALL CAP ENGAGING SWEATBAND**
- (71) Applicant: **Michael B. Duff**, Upsala, MN (US)
- (72) Inventor: **Michael B. Duff**, Upsala, MN (US)
- (**) Term: **14 Years**
- (21) Appl. No.: **29/445,887**
- (22) Filed: **Feb. 19, 2013**
- (51) **LOC (10) Cl.** **02-03**
- (52) **U.S. Cl.**
USPC **D2/894**
- (58) **Field of Classification Search**
USPC D2/871, 874, 877, 881, 889, 892, 894,
D2/868, 869, 865, 866, 867, 870, 872, 873,
D2/875, 876, 878, 880, 879, 882, 883, 884,
D2/886, 891, 893, 895, 627; 2/181, 171.5,
2/171.8, 181.2, 181.4, 181.6, 181.8,
2/182.3, 208, 209, 209.11, 425, 452, 454,
2/10, 12, 171.4, 174, 175.4, 175.5, 183,
2/184, 195.1, 195.2, 195.3, 195.6, 200.1,
2/200.2, 209.12, 209.13, 209.14;
D24/189, 190
CPC A41D 20/00; A41D 23/00; A42B 1/069;
A42B 1/00; A42C 5/02
See application file for complete search history.

(56) **References Cited**

U.S. PATENT DOCUMENTS

356,416	A *	1/1887	Morehouse	2/184
703,531	A *	7/1902	Brown	2/171
890,696	A *	6/1908	Nichols	2/181
1,434,854	A *	11/1922	Stall	2/171
1,501,591	A *	7/1924	Gage	2/68
1,698,176	A *	1/1929	Steinberg	2/181
2,155,965	A *	4/1939	Bracher	2/181
2,161,720	A *	6/1939	Morelli	128/894
2,223,332	A *	11/1940	Sterne	2/171
2,832,077	A *	4/1958	McGinnis	2/171
2,874,385	A *	2/1959	Wade	2/15
3,089,146	A *	5/1963	Sterne	2/181

3,578,736	A *	5/1971	Dootson	2/181
4,286,339	A	9/1981	Coombs	
4,468,817	A	9/1984	Nunnery et al.	
4,576,169	A *	3/1986	Williams	607/109

(Continued)

OTHER PUBLICATIONS

North Safety Sweat Bands (on-line), dated Feb. 3, 2013. Retrieved from Internet Jan. 8, 2015, URL: <https://web.archive.org/20130203122413/http://www.walmart.com/ip/North-Safety-Sweat-Bands-safety-cap-terry-cloth-sweat-band-w-velcro-close-Set-of-10/19279554> (1 page).*

Primary Examiner — Karen E. Eldridge Powers
Assistant Examiner — Kimberly Barnes

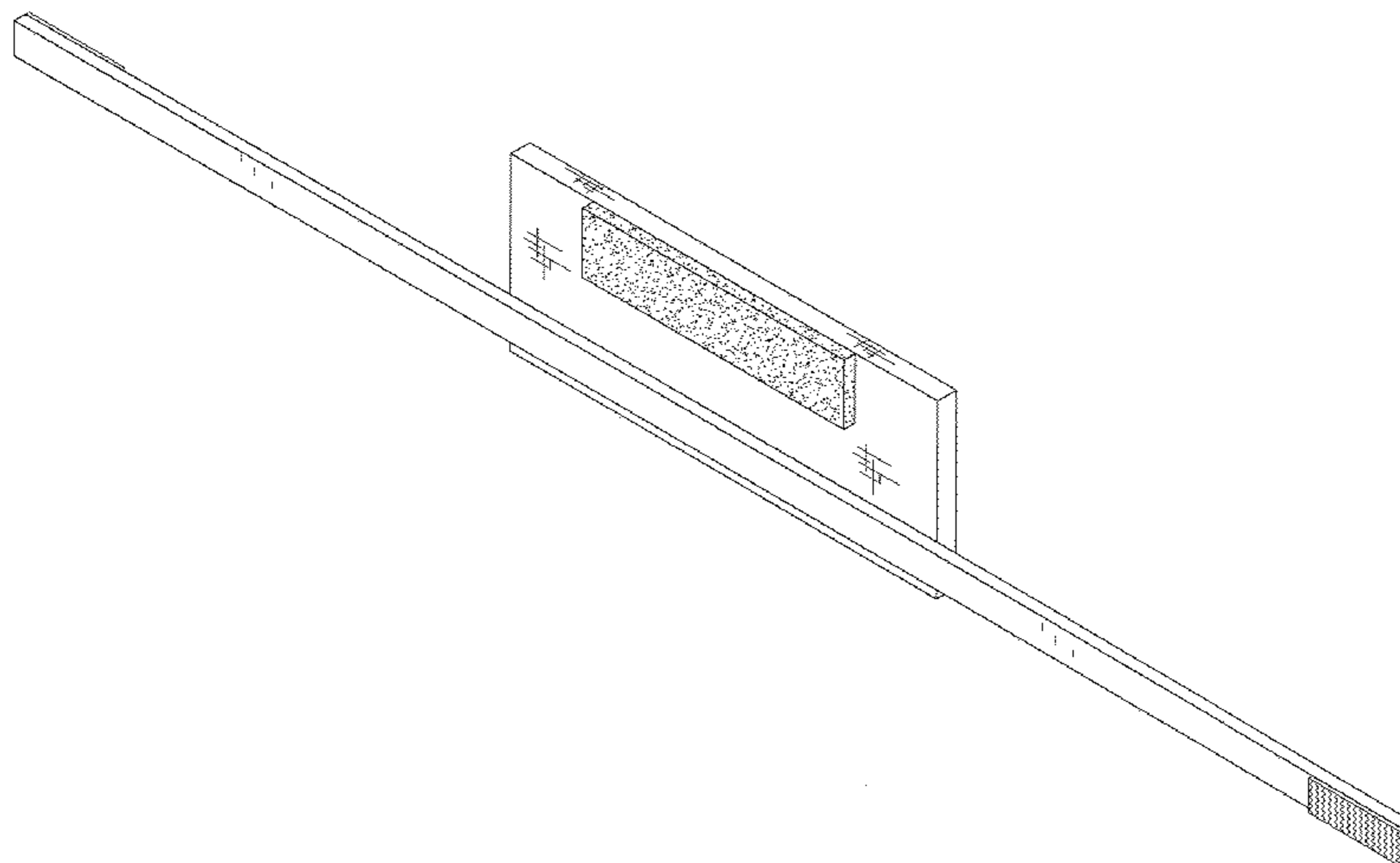
(57) **CLAIM**

The ornamental design for a baseball cap engaging sweatband, as shown and described.

DESCRIPTION

FIG. 1 is a front elevation view of a baseball cap engaging sweatband showing my new design;
FIG. 2 is a rear elevation view of a baseball cap engaging sweatband;
FIG. 3 is a left side elevation view of a baseball cap engaging sweatband;
FIG. 4 is a right side elevation view of a baseball cap engaging sweatband;
FIG. 5 is a top plan view of a baseball cap engaging sweatband;
FIG. 6 is a bottom plan view of a baseball cap engaging sweatband;
FIG. 7 is a front perspective view of a baseball cap engaging sweatband; and,
FIG. 8 is a rear perspective view of a baseball cap engaging sweatband as it would align with the interior of a baseball cap. The baseball-style cap illustrated in broken lines represents environmental subject matter and forms no part of the claimed design.

1 Claim, 4 Drawing Sheets



(56)

References Cited

U.S. PATENT DOCUMENTS

4,630,317 A * 12/1986 Brown et al. 2/12
 D296,930 S * 7/1988 Carabelli D24/190
 4,853,974 A * 8/1989 Olim 2/9
 5,033,122 A * 7/1991 Smith 2/209.3
 5,099,524 A * 3/1992 Linday 2/181
 D334,827 S * 4/1993 Brown D29/121.1
 5,253,598 A * 10/1993 Rinehuls 112/475.11
 D347,102 S * 5/1994 Strasner D2/627
 5,313,668 A 5/1994 Bogan et al.
 D347,692 S * 6/1994 McCartney D24/190
 5,369,808 A * 12/1994 Brewer et al. 2/175.3
 D356,659 S * 3/1995 Glass D29/101.5
 5,566,395 A 10/1996 Nebeker
 5,613,248 A 3/1997 Young
 D389,636 S * 1/1998 Davis, Sr. D2/894

D394,538 S * 5/1998 Murray D2/891
 D401,393 S * 11/1998 Johanson et al. D2/891
 5,875,493 A * 3/1999 MacDonald et al. 2/172
 5,887,284 A * 3/1999 Simmons 2/181.4
 6,205,590 B1 * 3/2001 Gorman 2/181
 6,477,715 B2 11/2002 Shin
 6,502,245 B1 * 1/2003 McBride 2/181
 6,738,985 B2 5/2004 Hahn et al.
 D538,514 S 3/2007 Nadeau
 D565,740 S * 4/2008 Sybrandts D24/209
 D588,703 S * 3/2009 Boleratz D24/190
 D595,416 S * 6/2009 Kovacs et al. D24/189
 D637,758 S * 5/2011 Roman D28/9
 D658,302 S * 4/2012 Nixon D24/190
 8,393,014 B1 * 3/2013 Follo 2/181
 D703,417 S * 4/2014 Benton D2/881
 2010/0138980 A1 * 6/2010 Duda et al. 2/184

* cited by examiner

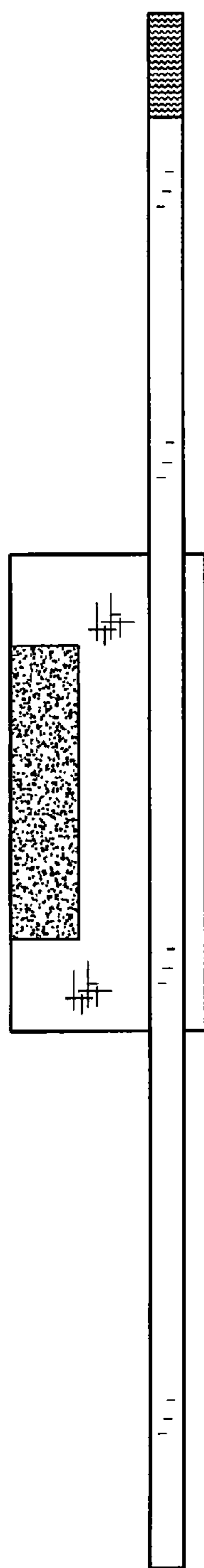


FIG. 1

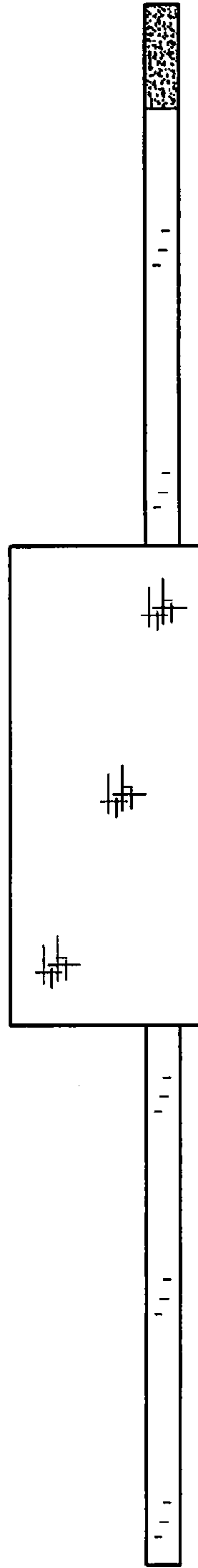


FIG. 2



FIG. 3

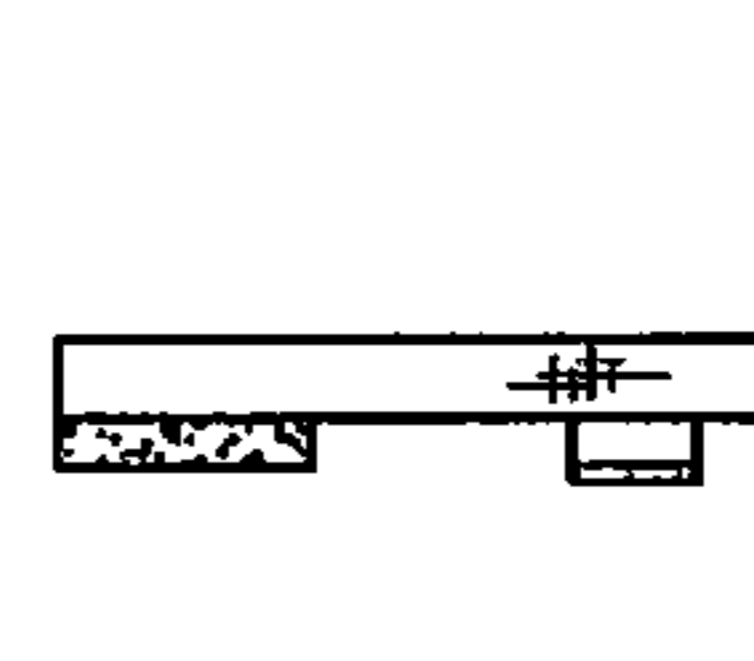


FIG. 4

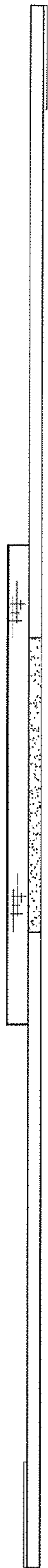


FIG. 5

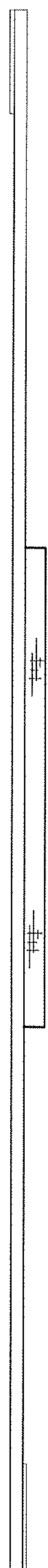


FIG. 6

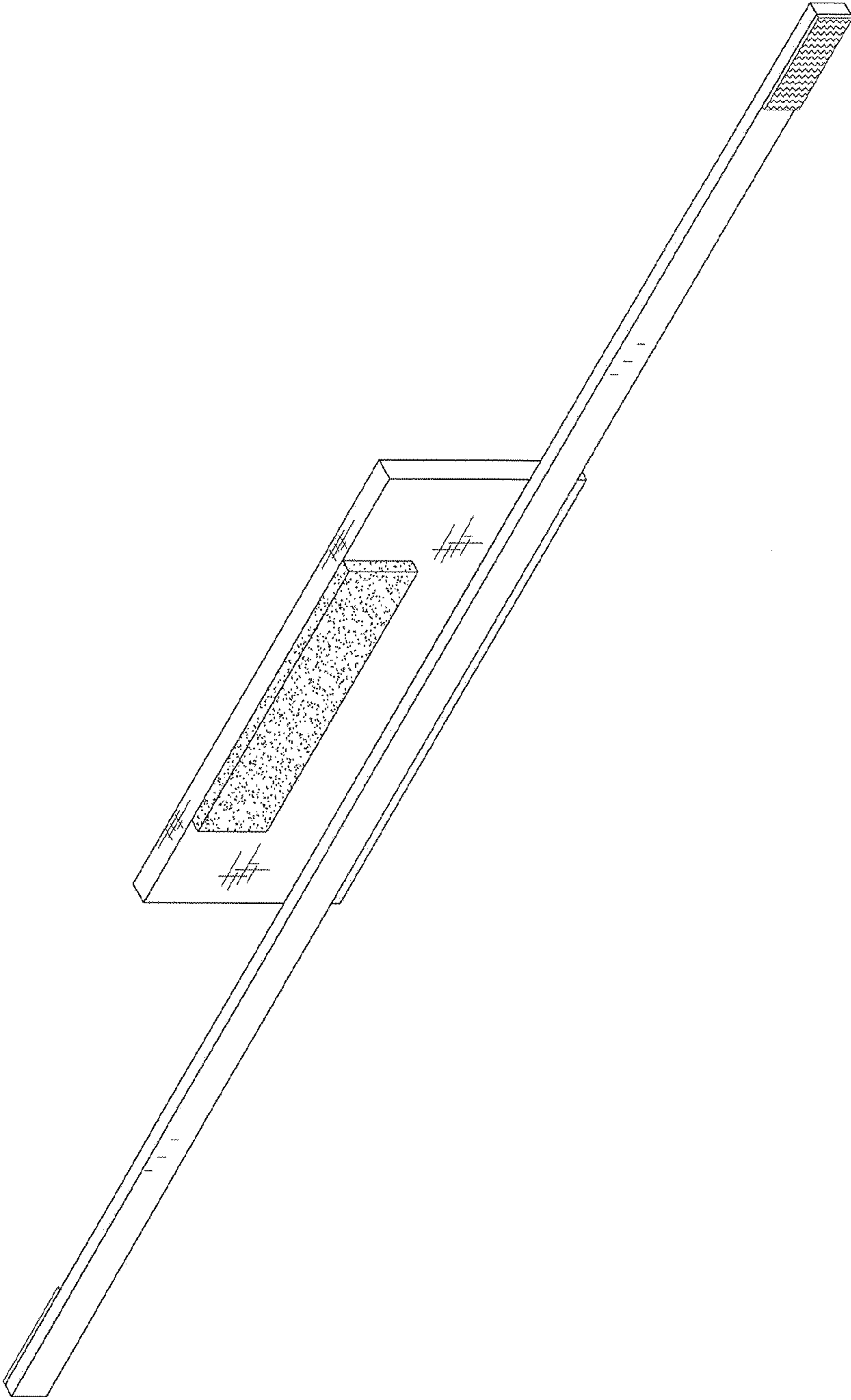


FIG. 7

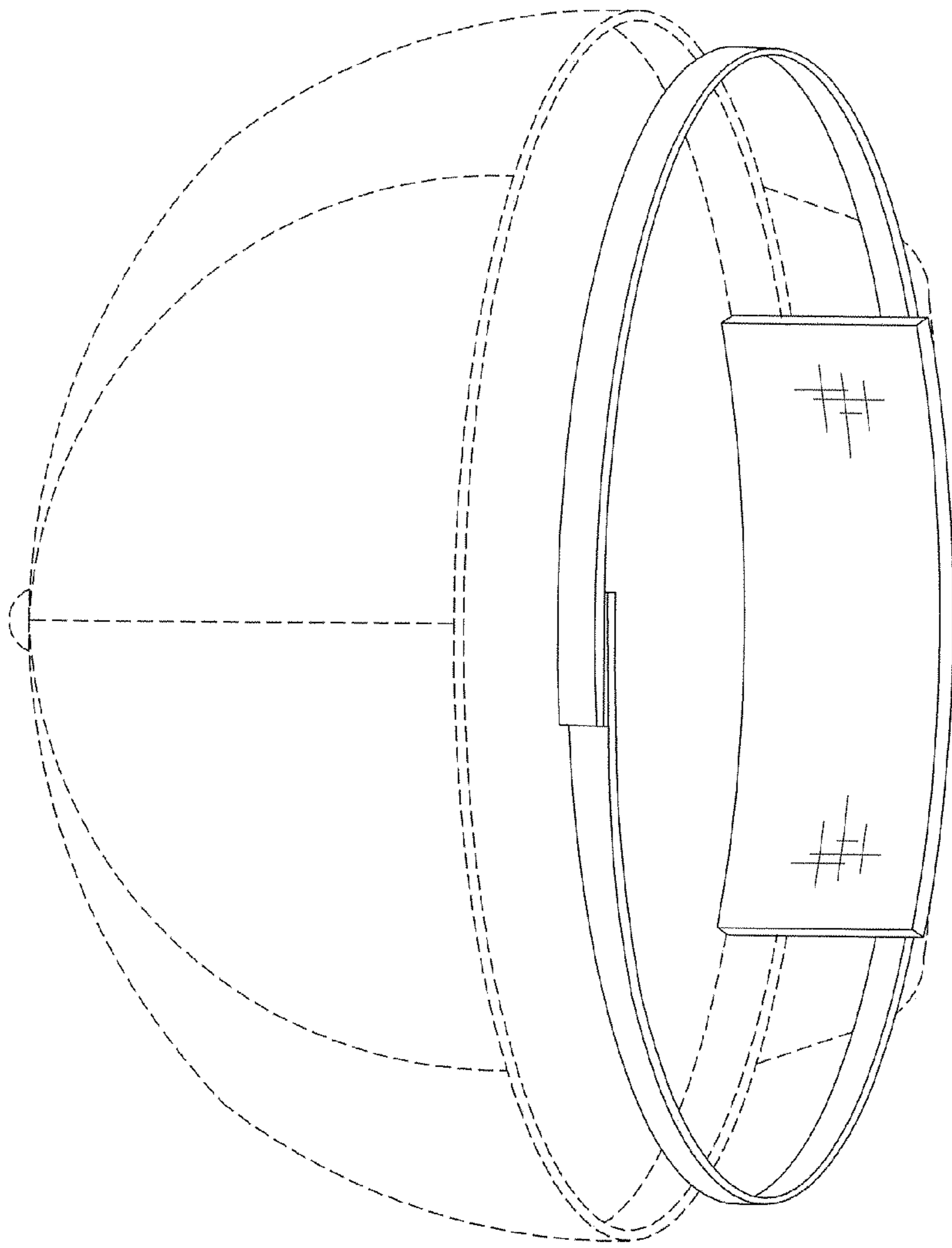


FIG. 8