



US00D730615S

(12) **United States Design Patent**
Vorderbrueggen

(10) **Patent No.:** **US D730,615 S**

(45) **Date of Patent:** **** May 26, 2015**

(54) **ROSARY**

(71) Applicant: **Ann Marie Vorderbrueggen,**
Marriottsville, MD (US)

(72) Inventor: **Ann Marie Vorderbrueggen,**
Marriottsville, MD (US)

(**) Term: **14 Years**

(21) Appl. No.: **29/477,478**

(22) Filed: **Dec. 23, 2013**

(51) **LOC (10) Cl.** **11-01**

(52) **U.S. Cl.**
USPC **D99/26**

(58) **Field of Classification Search**
USPC D99/25, 26, 27; D11/2, 3, 16, 43, 44,
D11/89, 90; 428/3; 434/245, 246
See application file for complete search history.

(56) **References Cited**

U.S. PATENT DOCUMENTS

D37,875	S	*	3/1906	Nehr	D99/26
1,187,353	A	*	6/1916	McBride	434/246
1,286,911	A	*	12/1918	Bakula	63/1.14
D59,306	S	*	10/1921	Thibault	D99/26
1,454,013	A	*	5/1923	Boulton	434/246
D137,865	S	*	5/1944	Kelley	D99/26
D153,494	S	*	4/1949	Boylan	D99/26
D177,813	S	*	5/1956	Jermyn	D99/26
2,769,249	A	*	11/1956	Illes	434/246
D203,059	S	*	11/1965	Maronn	D11/7
D277,802	S	*	2/1985	Luchetti	D99/26
D307,501	S	*	4/1990	Abel	D99/26

D459,856	S	*	7/2002	Ghirelli	D99/26
D507,689	S	*	7/2005	Schmitt	D99/26
D517,443	S	*	3/2006	Dennis	D11/14
D612,281	S	*	3/2010	Andretti	D11/3
D677,854	S	*	3/2013	Blue	D99/26
D686,795	S	*	7/2013	Matos	D99/26

* cited by examiner

Primary Examiner — Elizabeth J Oswecki

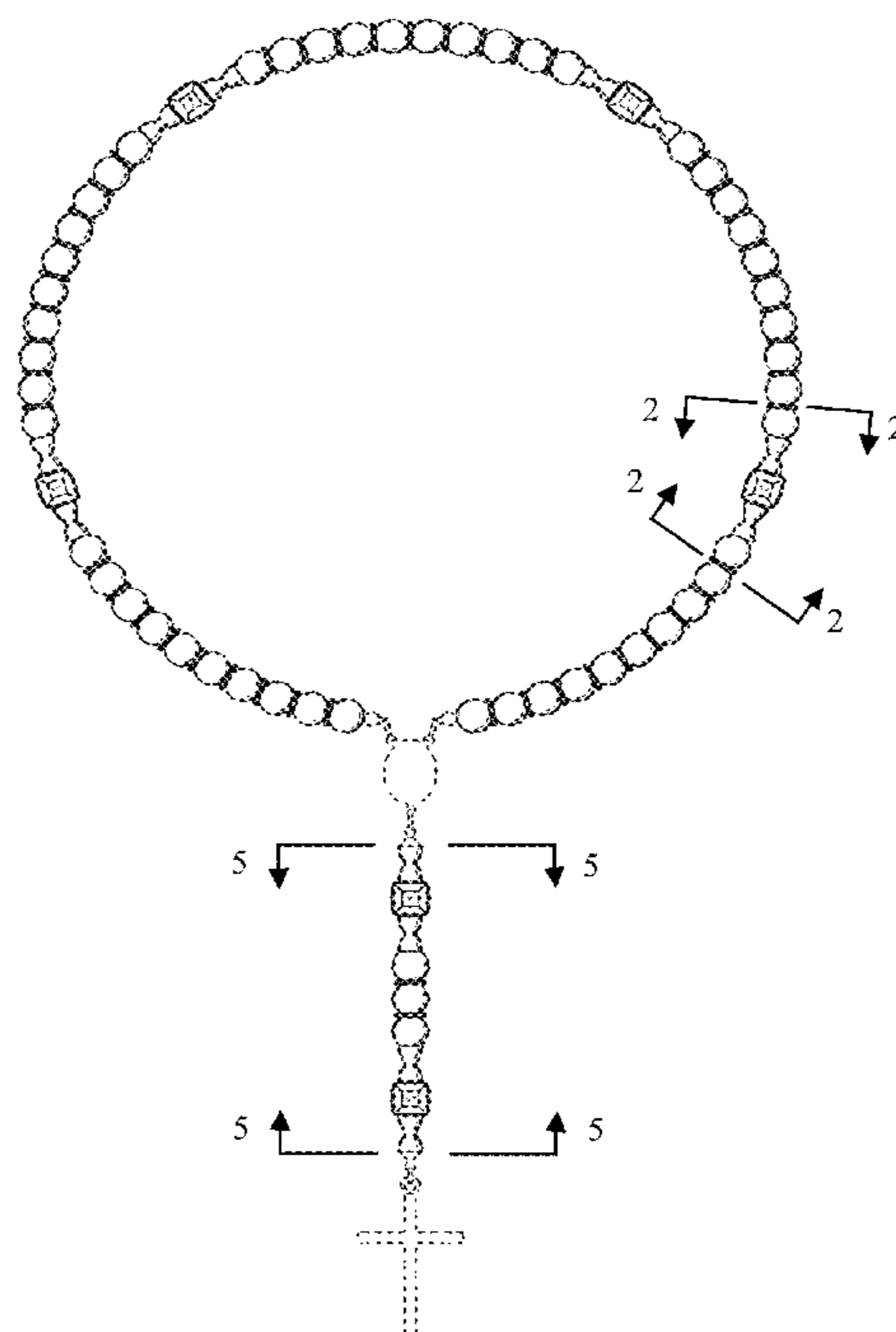
(57) **CLAIM**

The ornamental design for a rosary, as shown and described.

DESCRIPTION

FIG. 1 is a top view of a rosary showing my new design, the bottom view is a mirror image thereof;
 FIG. 2 is an enlarged perspective view of a portion of the rosary taken along line 2-2 in FIG. 1;
 FIG. 3 is a side view of FIG. 2, the opposite side view, top view, and bottom view are identical;
 FIG. 4 is a front view of FIG. 3, the rear view is a mirror image thereof;
 FIG. 5 is another enlarged perspective view of a portion of the rosary taken along line 5-5 in FIG. 1;
 FIG. 6 is a side view of FIG. 5, the opposite side view, top view, and bottom view are identical; and,
 FIG. 7 is a front view of FIG. 6, the rear view is a mirror image thereof.
 The broken lines shown in the drawings represent portions of the rosary that form no part of the claimed design.
 All surfaces not shown form no part of the claimed design.

1 Claim, 3 Drawing Sheets



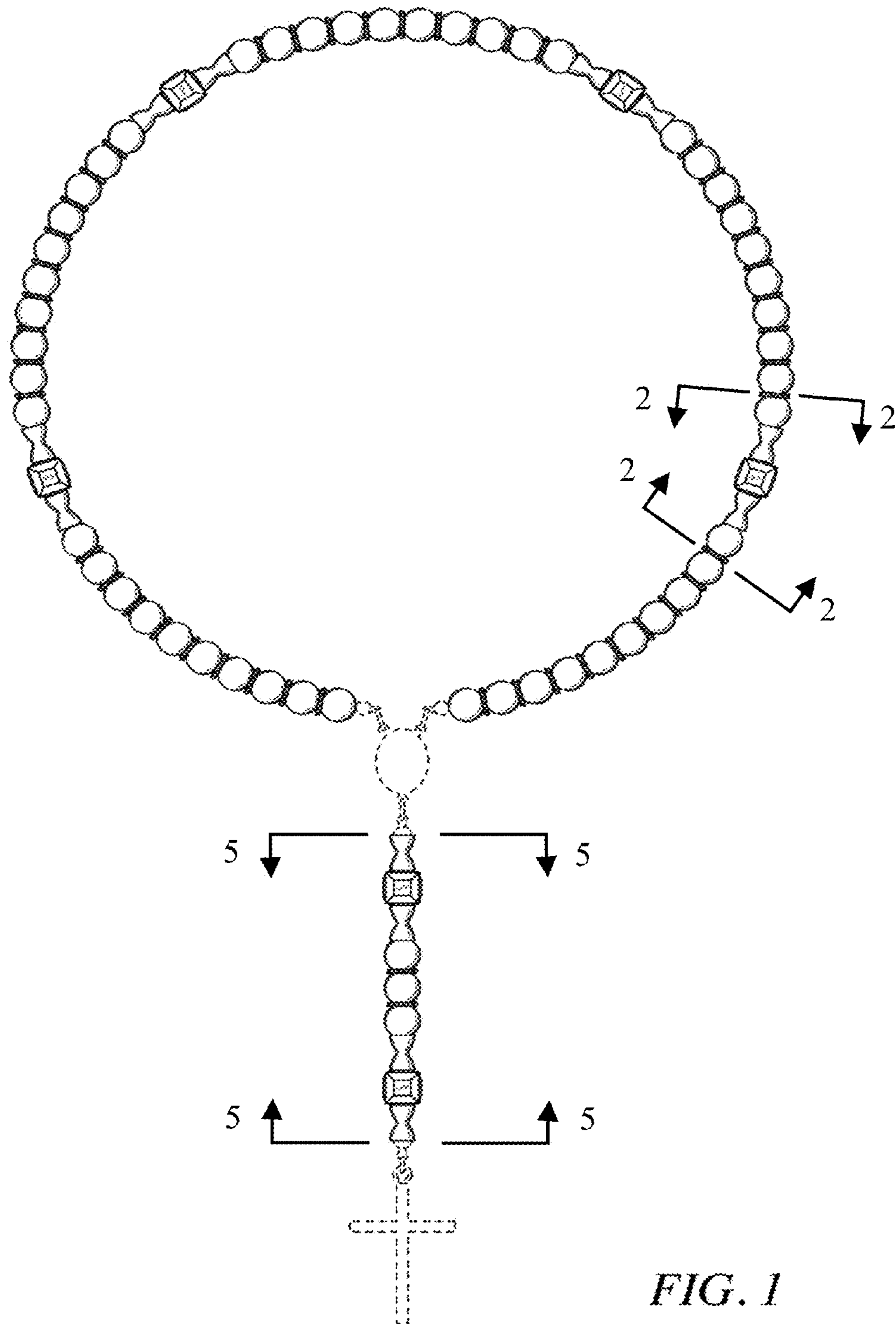


FIG. 1

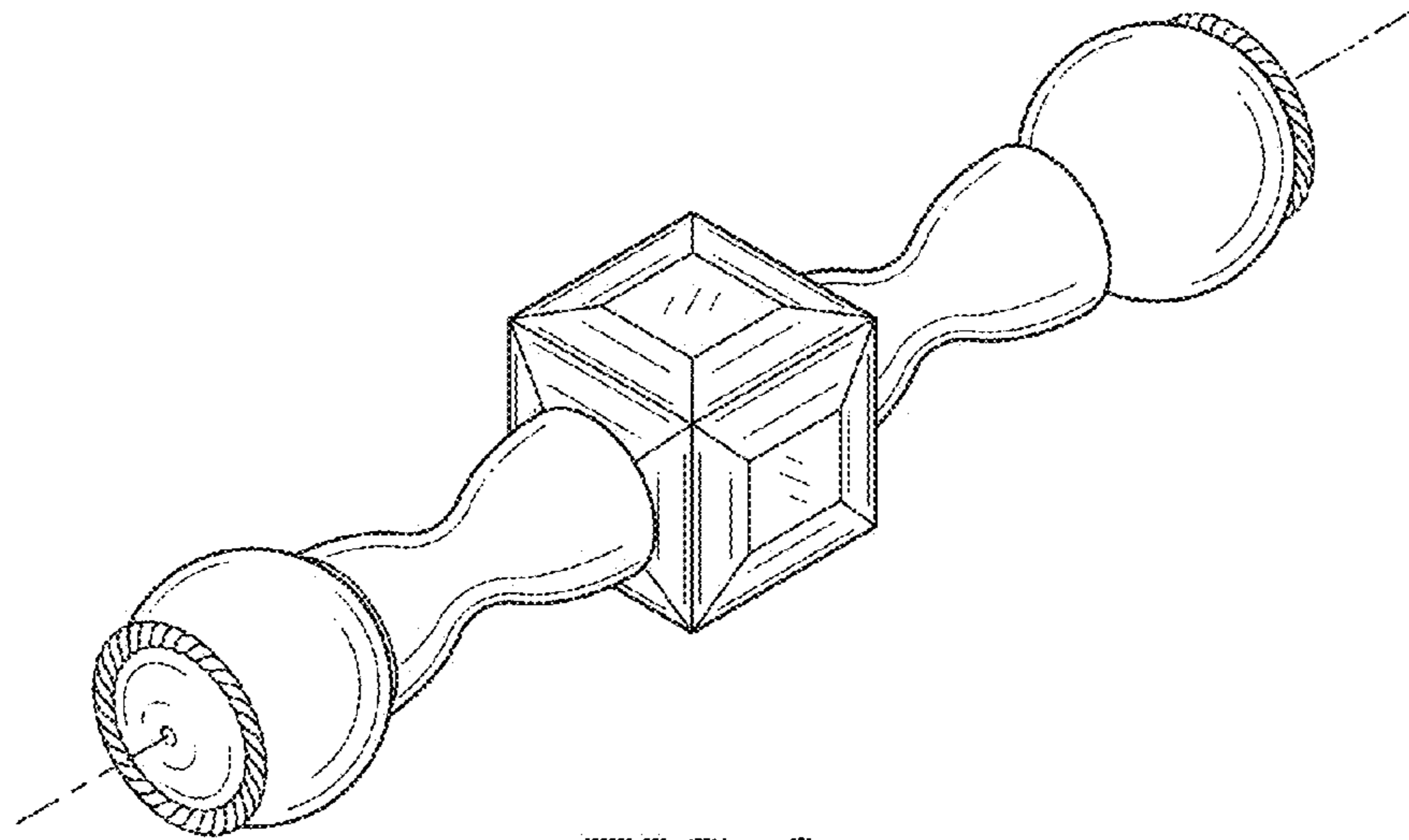


FIG. 2

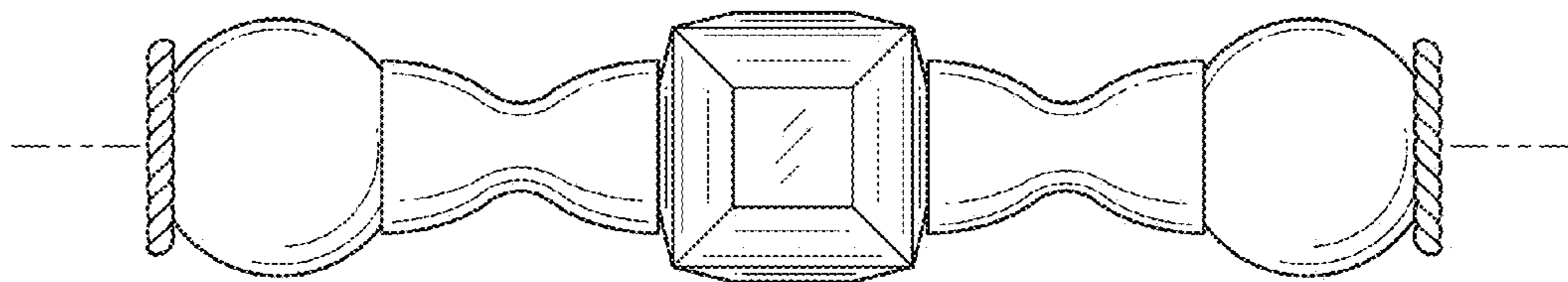


FIG. 3

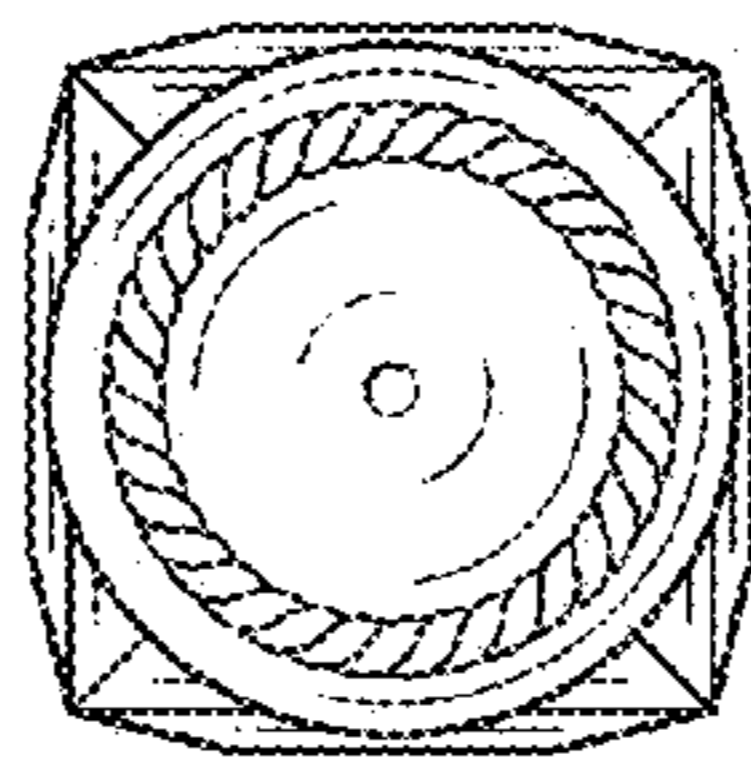


FIG. 4

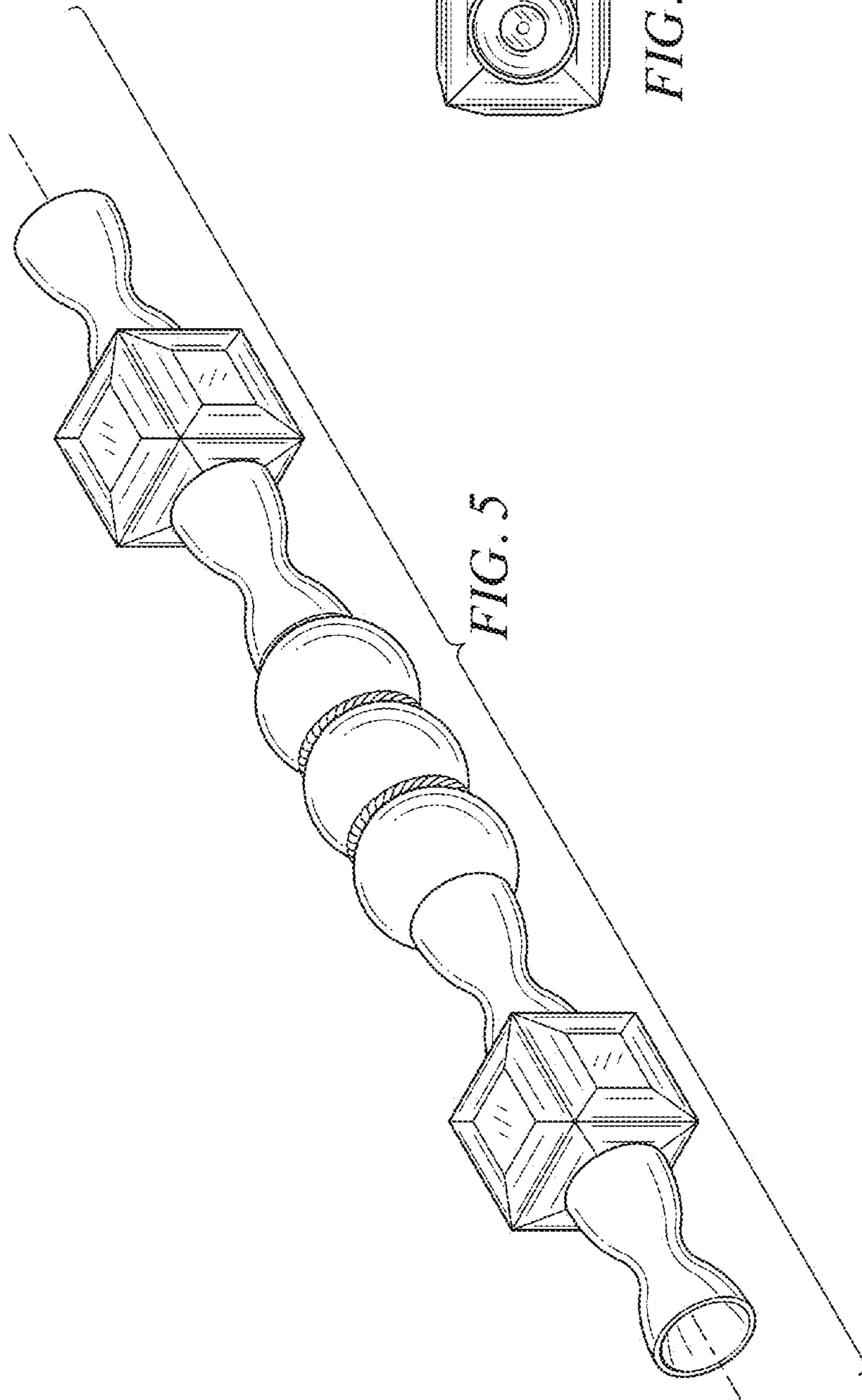


FIG. 5

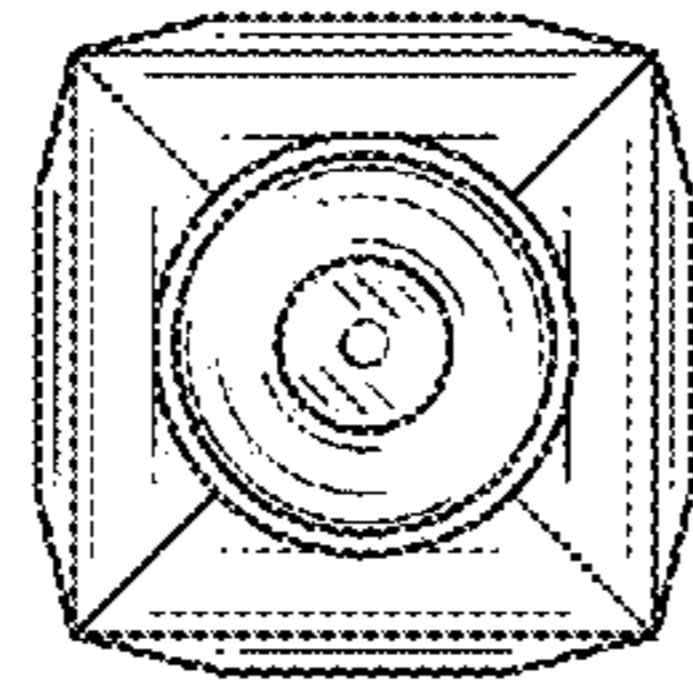


FIG. 7

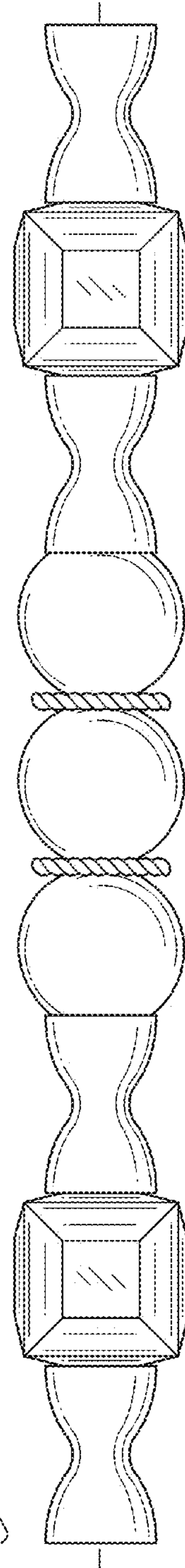


FIG. 6