

US00D730614S

(12) **United States Design Patent**
Wu et al.

(10) **Patent No.:** **US D730,614 S**
(45) **Date of Patent:** **** May 26, 2015**

(54) **PERSONNEL LIFT VEHICLE**
(71) Applicants: **Lili Wu**, Hangzhou (CN); **Nengwen Bao**, Hangzhou (CN); **Linjie Xu**, Hangzhou (CN); **Qichen Ma**, Hangzhou (CN); **Jin Hui He**, Hangzhou (CN)
(72) Inventors: **Lili Wu**, Hangzhou (CN); **Nengwen Bao**, Hangzhou (CN); **Linjie Xu**, Hangzhou (CN); **Qichen Ma**, Hangzhou (CN); **Jin Hui He**, Hangzhou (CN)

3,095,945 A 7/1963 Mitchell
3,113,531 A 12/1963 Barnard
3,172,500 A 3/1965 Dolphin et al.
3,384,201 A 5/1968 Fulton
3,452,837 A 7/1969 Herrell et al.
3,509,965 A 5/1970 Mitchell
3,596,735 A 8/1971 Denier et al.
D222,694 S * 12/1971 Goodacre D34/34
3,631,940 A 1/1972 Richins
3,752,261 A 8/1973 Bushnell, Jr.
3,752,263 A 8/1973 Thevenot
3,795,379 A 3/1974 Gray
3,817,346 A 6/1974 Wehmeyer

(73) Assignee: **BIG LIFT, LLC.**, Lombard, IL (US)

(Continued)

(**) Term: **14 Years**

FOREIGN PATENT DOCUMENTS

(21) Appl. No.: **29/473,815**

CN 20111417715 12/2011

(22) Filed: **Nov. 26, 2013**

Primary Examiner — Cynthia Ramirez

(51) **LOC (10) Cl.** **12-05**

(74) *Attorney, Agent, or Firm* — Cook Alex Ltd.

(52) **U.S. Cl.**
USPC **D34/34**

(57) **CLAIM**

We claim the ornamental design for a personnel lift vehicle, as shown and described.

(58) **Field of Classification Search**
CPC B66F 16/003; B66F 9/24; B66F 9/0755; B66F 9/12; B66F 9/20; B66F 9/22; B66F 9/08; B66F 9/07563; B66F 9/075; B66F 9/082; B66F 9/122; B66F 9/146
USPC D34/34; 187/222, 234, 226, 238; 414/631, 575, 592; 180/89.12, 89.13, 180/89.17

DESCRIPTION

See application file for complete search history.

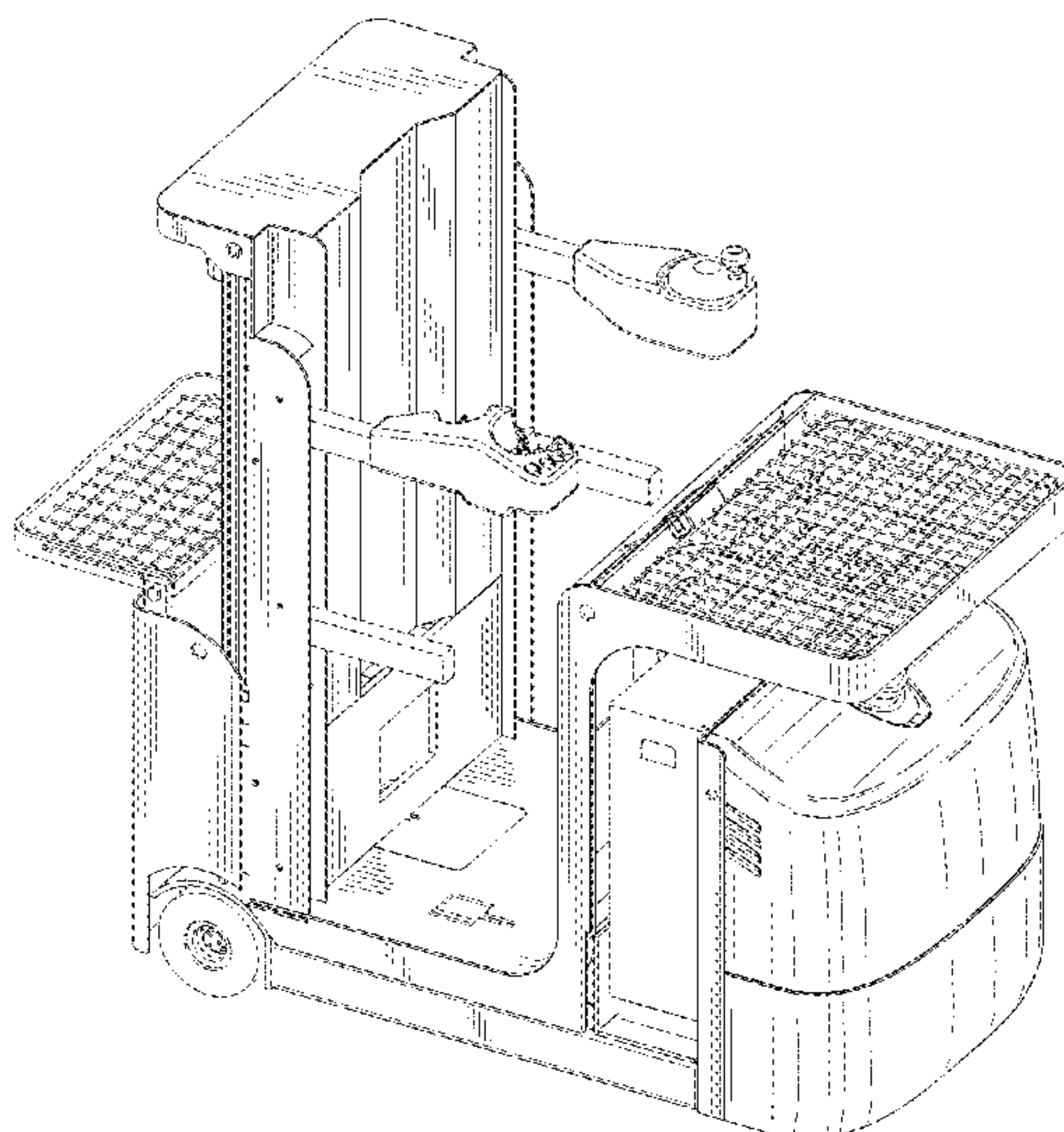
FIG. 1 is a front perspective view of a personnel lift vehicle according to our new design;
FIG. 2 is a rear perspective view of the embodiment in FIG. 1;
FIG. 3 is a rear elevational view of the embodiment in FIG. 1;
FIG. 4 is a right side elevational view of the embodiment in FIG. 1;
FIG. 5 is a left side elevational view of the embodiment in FIG. 1;
FIG. 6 is a front elevational view of the embodiment in FIG. 1;
FIG. 7 is a top plan view of the embodiment in FIG. 1; and, FIG. 8 is a bottom plan view of the embodiment in FIG. 1.
The broken lines shown in the figures are included for the purpose of illustrating portions of the personnel lift vehicle and form no part of the claimed design.

(56) **References Cited**

U.S. PATENT DOCUMENTS

775,373 A 11/1904 Maxey
1,892,687 A 1/1933 Teufel
2,106,878 A 2/1938 Sinclair
2,970,523 A 2/1961 Schurger
2,970,667 A 2/1961 Bercaw
2,989,140 A 6/1961 Hill et al.
3,003,573 A 10/1961 Lorenz
3,016,973 A 1/1962 Williamson

1 Claim, 5 Drawing Sheets



(56)

References Cited

U.S. PATENT DOCUMENTS

3,856,108 A	12/1974	Grove	5,657,834 A	8/1997	Plaugher et al.	
3,871,477 A	3/1975	Kuest	5,722,505 A	3/1998	Grabner et al.	
3,874,477 A	4/1975	Hedstrom	5,740,887 A	4/1998	Unger et al.	
3,927,732 A	12/1975	Ooka et al.	5,755,306 A	5/1998	Kraemer et al.	
3,934,681 A	1/1976	Herrell	5,803,204 A	9/1998	White et al.	
3,937,301 A	2/1976	Bertail	5,850,892 A	12/1998	Citron et al.	
3,941,213 A	3/1976	Stammen	D407,176 S *	3/1999	Henshaw et al.	D34/34
3,961,681 A	6/1976	Fisher	D407,177 S *	3/1999	Henshaw et al.	D34/34
3,989,118 A	11/1976	Hansen	5,875,869 A	3/1999	Busuttil et al.	
4,000,787 A	1/1977	Groenig	5,890,559 A	4/1999	Busuttil et al.	
4,015,686 A	4/1977	Bushnell, Jr.	5,992,572 A	11/1999	Gilliland et al.	
4,037,896 A	7/1977	Kennedy, Jr. et al.	6,000,502 A	12/1999	Leasor et al.	
4,068,737 A	1/1978	Lenz	6,174,124 B1	1/2001	Haverfield et al.	
4,174,086 A	11/1979	Verberkmoes	6,241,047 B1	6/2001	Gilliland et al.	
4,175,644 A	11/1979	Sikli	6,345,677 B1	2/2002	Eckersley et al.	
4,194,591 A	3/1980	Fisher	6,378,652 B1	4/2002	Albert	
4,219,302 A	8/1980	Leskovec	6,471,004 B2	10/2002	Stringer	
4,258,825 A	3/1981	Collins	6,561,546 B2	5/2003	Puszkiewicz	
4,261,438 A	4/1981	Olson	7,121,372 B2	10/2006	Braud	
4,397,373 A	8/1983	Ream et al.	7,165,776 B2	1/2007	Quinlan, Jr. et al.	
4,427,094 A	1/1984	Winkelblech	D544,174 S *	6/2007	Quinlan et al.	D34/34
4,444,284 A	4/1984	Montemurro	7,281,736 B2	10/2007	Sannah et al.	
4,498,556 A	2/1985	Garton	D570,071 S	5/2008	Campbell et al.	
4,511,015 A	4/1985	Purdy	7,384,233 B2	6/2008	Segerljung	
4,657,112 A	4/1987	Ream et al.	7,438,318 B2	10/2008	Sano	
5,044,473 A	9/1991	Gripe	7,458,588 B2	12/2008	Kallevig	
5,052,521 A	10/1991	Wendt et al.	D585,623 S *	1/2009	Quinlan et al.	D34/34
5,105,913 A	4/1992	Neubauer et al.	D640,855 S *	6/2011	Ruppert et al.	D34/34
5,203,425 A	4/1993	Wehmeyer	7,967,335 B2	6/2011	Bergmeier et al.	
5,271,482 A	12/1993	Walz	8,047,310 B2	11/2011	Kallevig	
5,273,132 A	12/1993	Sasaki et al.	8,167,069 B2	5/2012	Boegelein et al.	
5,297,645 A	3/1994	Eckersley et al.	8,191,688 B2	6/2012	Boegelein et al.	
5,307,898 A	5/1994	Purdy et al.	D684,333 S *	6/2013	Knie	D34/34
D347,720 S	6/1994	Tamara et al.	2002/0145325 A1	10/2002	Clevenger	
5,337,858 A	8/1994	Neubauer et al.	2003/0168286 A1	9/2003	Brown	
D358,925 S *	5/1995	Chung et al.	2010/0089703 A1	4/2010	Gallagher et al.	
5,425,433 A	6/1995	Huber	2010/0300784 A1	12/2010	Bergmeier et al.	
5,437,939 A	8/1995	Beckley	2011/0180349 A1	7/2011	Beji	
5,520,258 A	5/1996	Kemshall	2012/0186908 A1	7/2012	Crook et al.	
D379,020 S *	4/1997	Avitan	2013/0153336 A1	6/2013	Wu et al.	
			2013/0186708 A1	7/2013	Wu et al.	

* cited by examiner

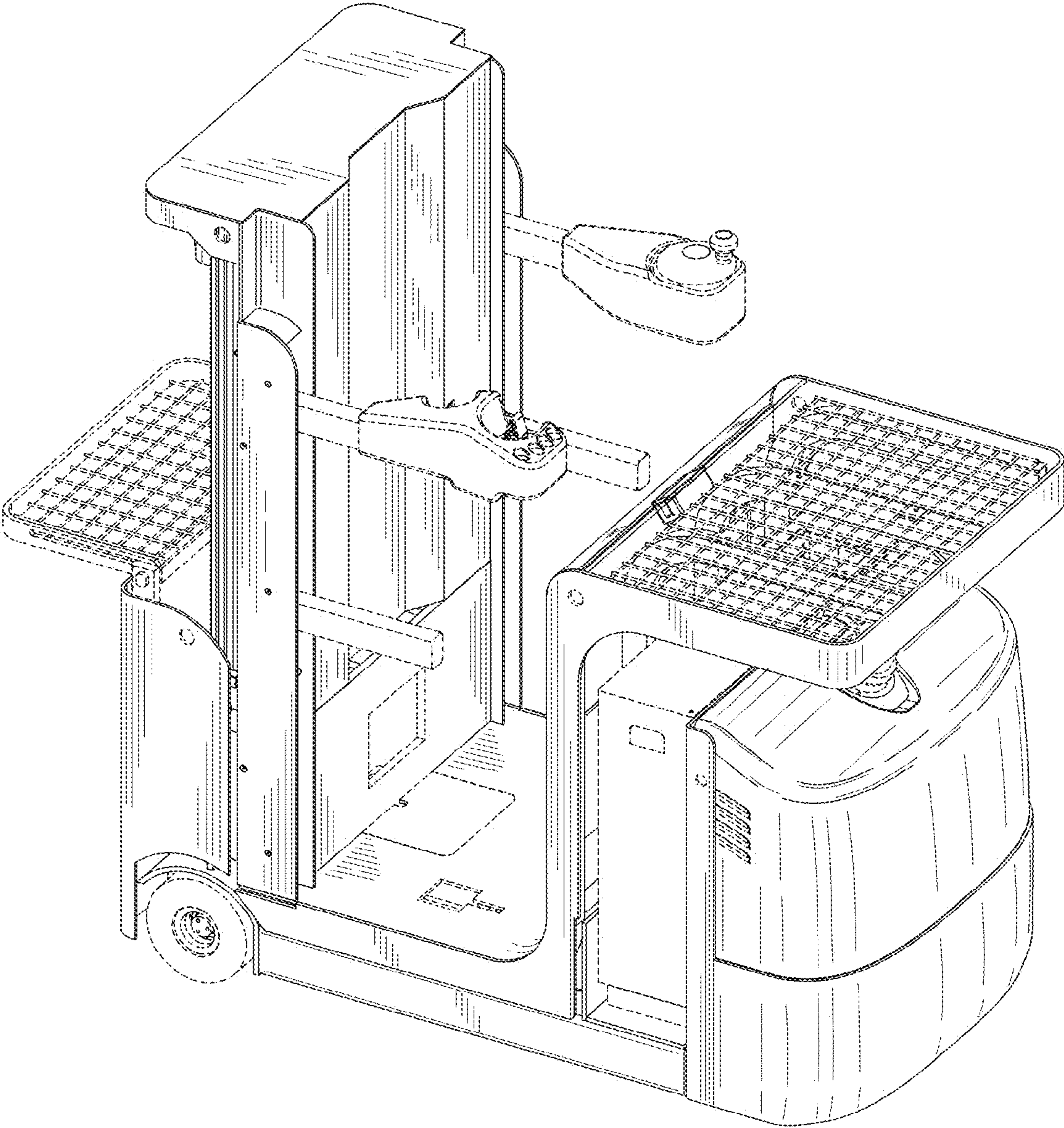


FIG. 1

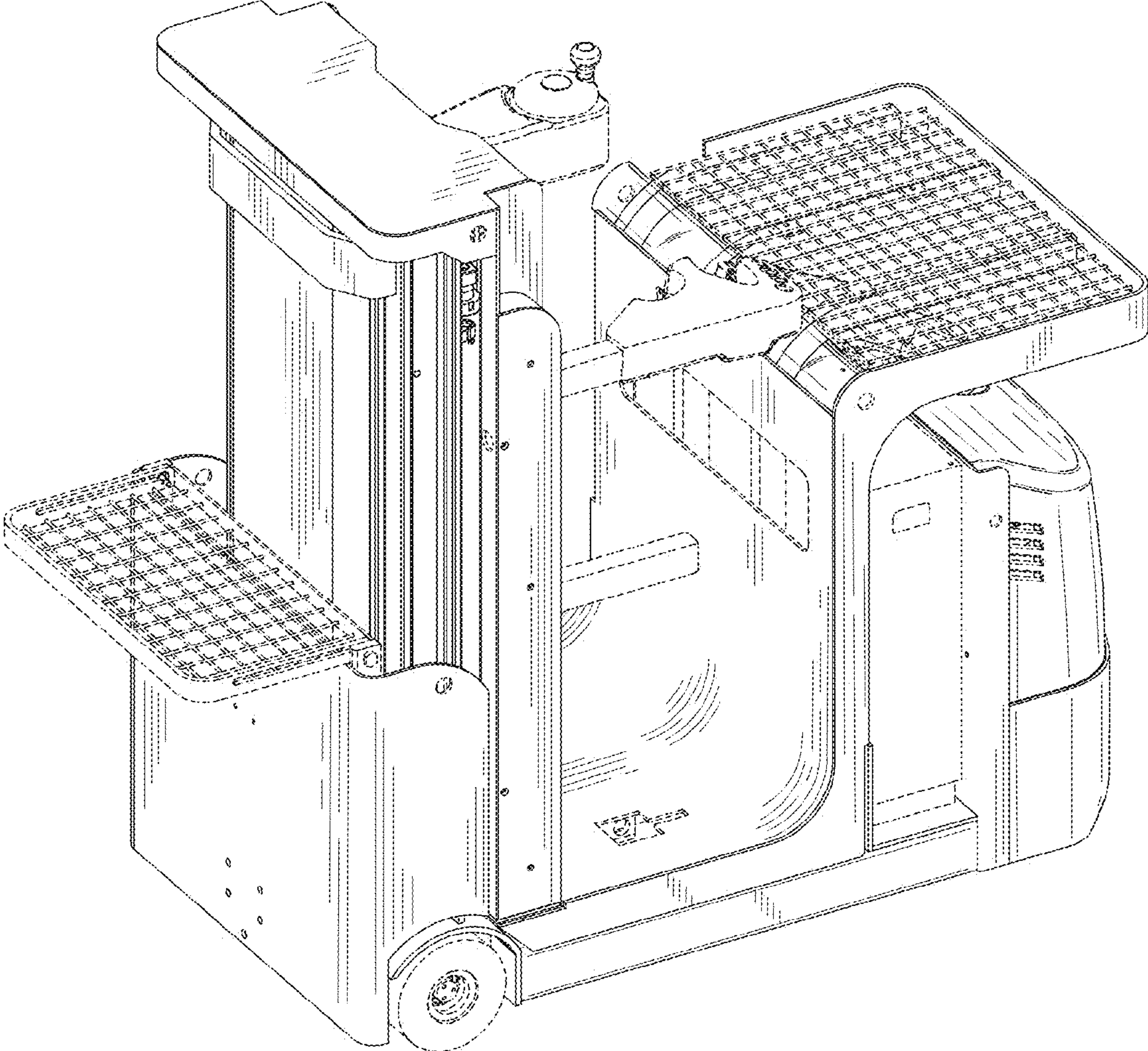


FIG. 2

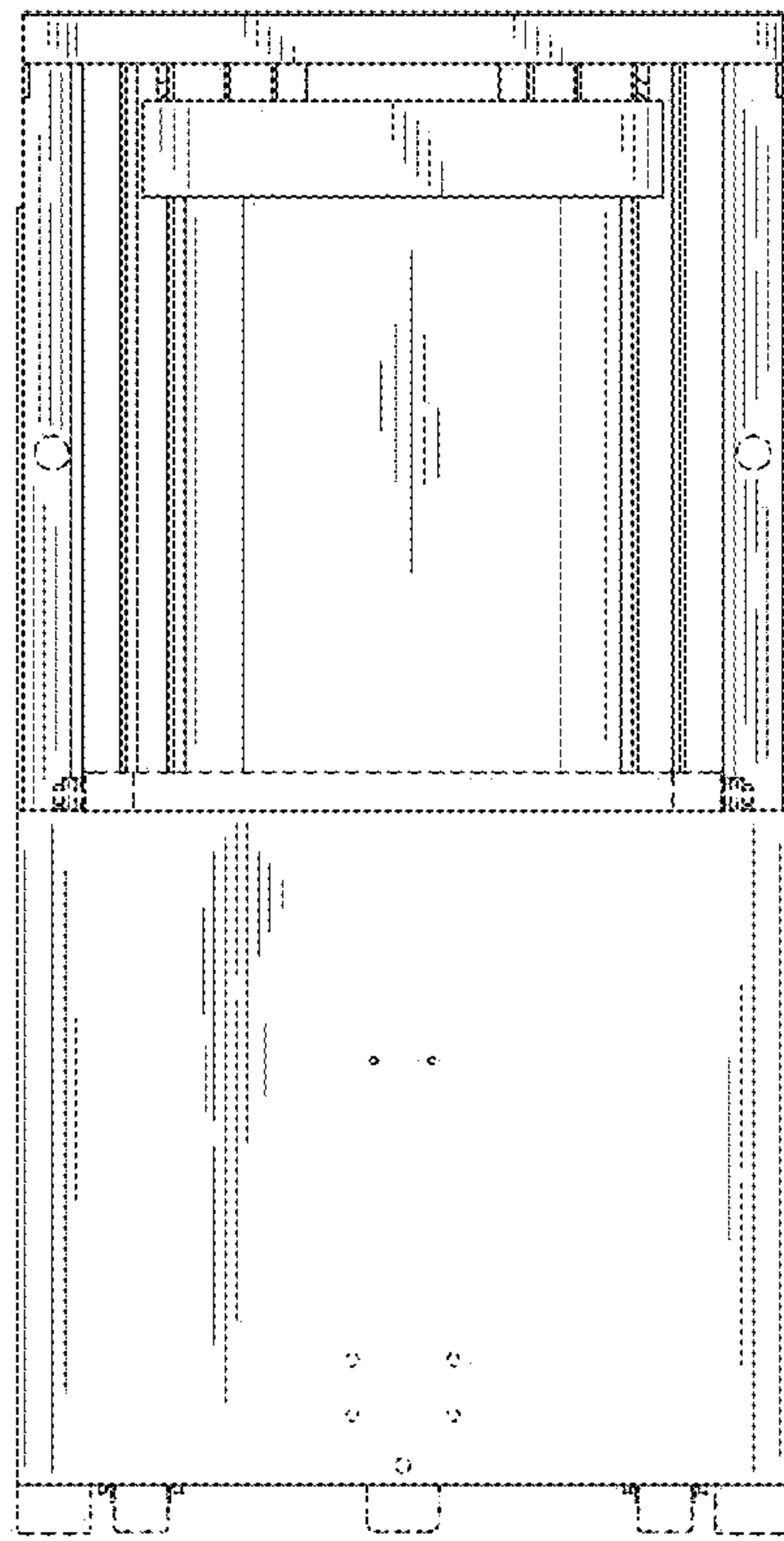


FIG. 3

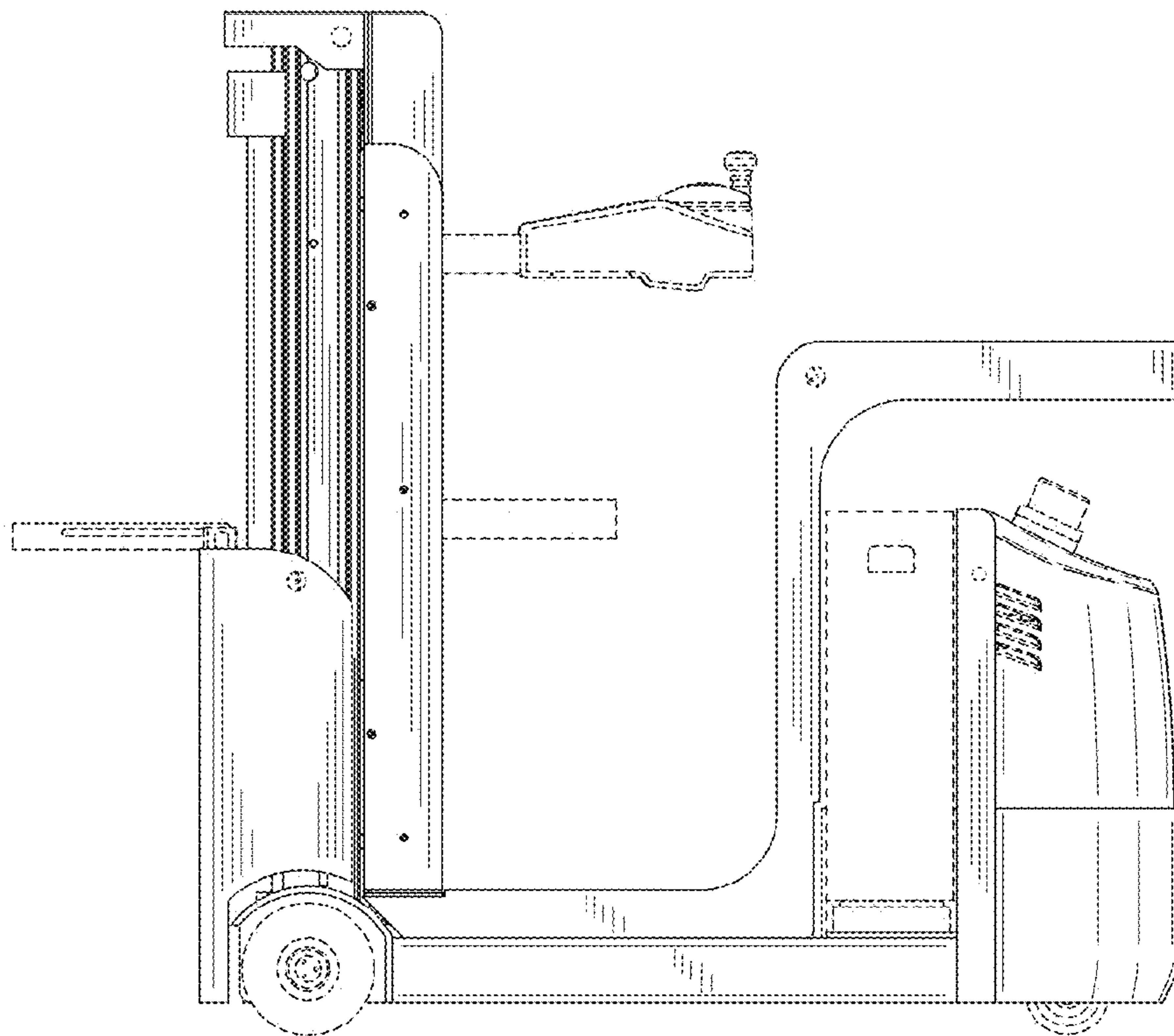


FIG. 4

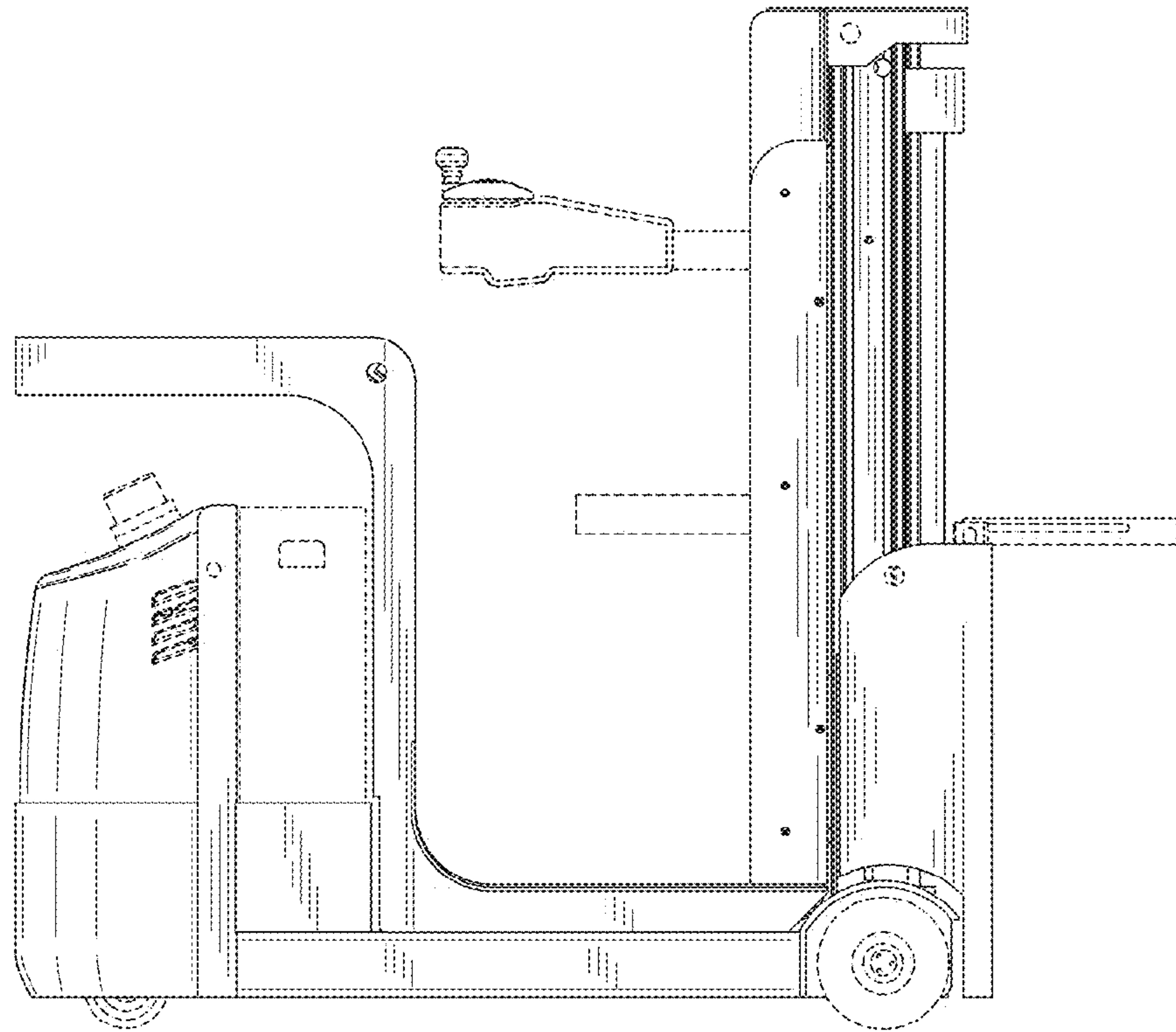


FIG. 5

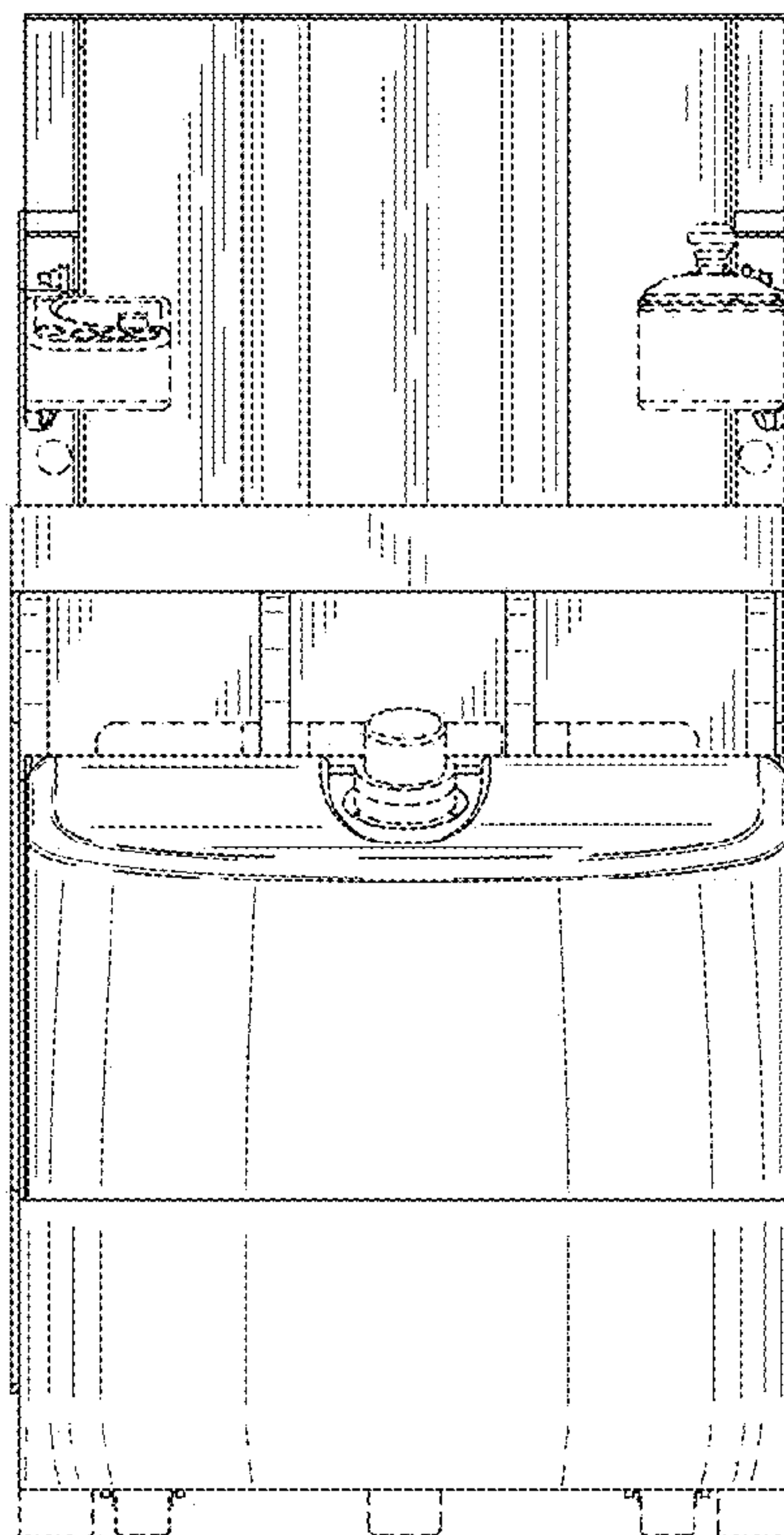


FIG. 6

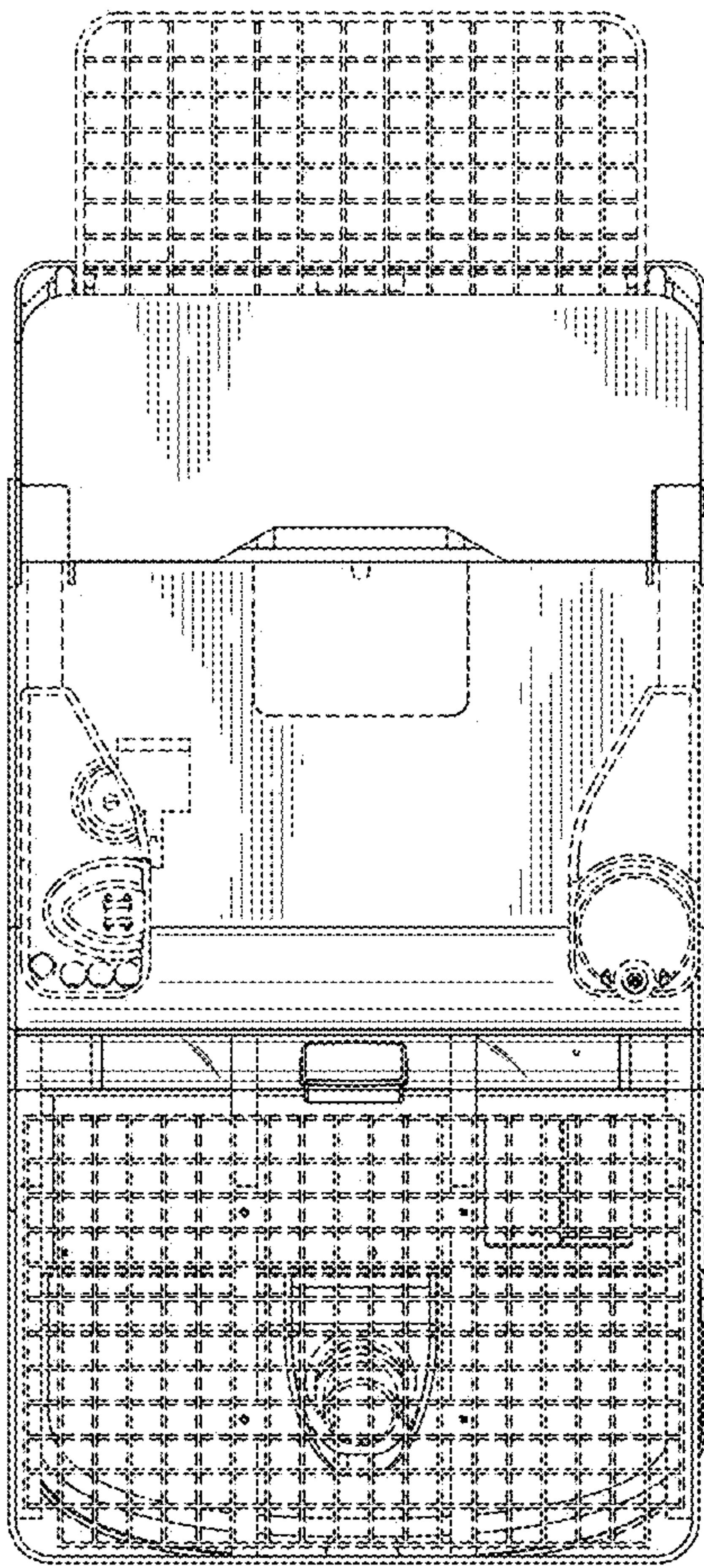


FIG. 7

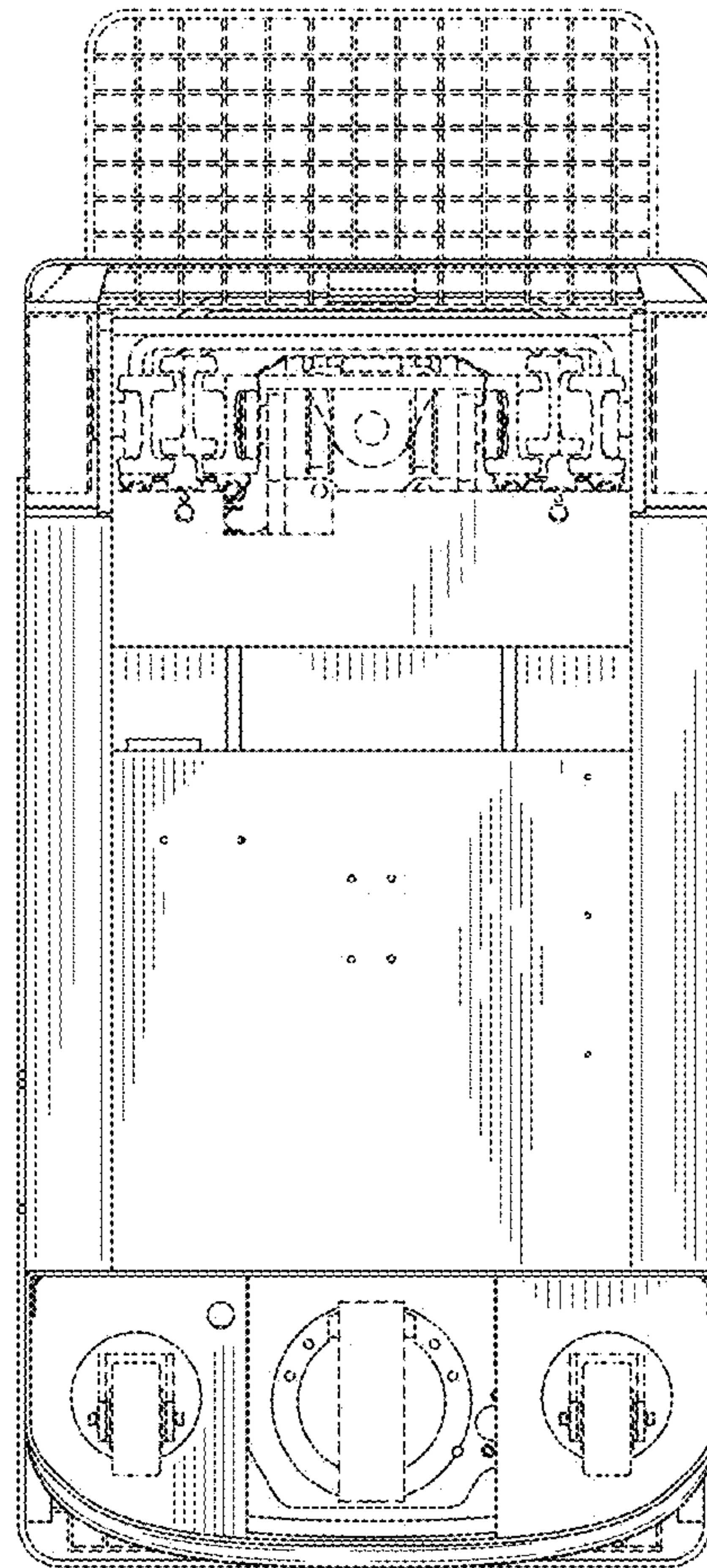


FIG. 8