



US00D730613S

(12) **United States Design Patent**
Woller

(10) **Patent No.:** **US D730,613 S**

(45) **Date of Patent:** **** May 26, 2015**

(54) **TRIPOD HOIST APPARATUS**
(71) Applicant: **Ronald R. Woller**, Decatur, AL (US)
(72) Inventor: **Ronald R. Woller**, Decatur, AL (US)
(73) Assignee: **Viking Solutions, LLC**, Decatur, AL (US)
(**) Term: **14 Years**

(21) Appl. No.: **29/478,196**
(22) Filed: **Jan. 2, 2014**
(51) **LOC (10) Cl.** **12-05**
(52) **U.S. Cl.**
USPC **D34/33**
(58) **Field of Classification Search**
CPC B66D 1/605; B66D 1/7489; B66D 1/04;
B66F 19/00; B66F 7/20; B66F 7/28
USPC D34/33; 212/348, 270, 347, 179, 261,
212/180, 203; 254/334, 323, 270, 326, 358,
254/8 R, 8 B, 324, 332; 414/543, 462, 680,
414/427; 182/234, 133; 248/157, 125.8,
248/168; 5/87.1, 86.1, 83.1; 452/187, 129;
366/285
See application file for complete search history.

(56) **References Cited**
U.S. PATENT DOCUMENTS
2,657,011 A * 10/1953 Slonneger 254/270
4,860,404 A * 8/1989 Flachs 452/187

4,997,152 A * 3/1991 Wagman et al. 248/168
5,090,507 A * 2/1992 Olson et al. 182/234
5,150,768 A * 9/1992 Olson et al. 182/234
5,217,084 A * 6/1993 Olson et al. 182/234
6,059,266 A * 5/2000 Ascherin et al. 254/334
6,283,455 B1 * 9/2001 Ascherin et al. 254/334
7,485,032 B1 * 2/2009 Hogue 452/187
7,857,288 B2 * 12/2010 Dunlap 254/324
2007/0045211 A1 * 3/2007 Beatty 212/180
2008/0237415 A1 * 10/2008 Michalec 248/157
2009/0152227 A1 * 6/2009 Thompson et al. 212/348
2010/0102179 A1 * 4/2010 Broadley et al. 248/157

* cited by examiner

Primary Examiner — Cynthia Ramirez
Assistant Examiner — Gino Colan
(74) *Attorney, Agent, or Firm* — Bush Intellectual Property Law; Kenneth M. Bush

(57) **CLAIM**
I claim the ornamental design for a tripod hoist apparatus, as shown and described.

DESCRIPTION

FIG. 1 is a left front perspective view of a tripod hoist apparatus showing my new design;
FIG. 2 is a rear elevation view thereof;
FIG. 3 is a front elevation view thereof;
FIG. 4 is a right side elevation view thereof;
FIG. 5 is a left side elevation view thereof;
FIG. 6 is a top plan view thereof;
FIG. 7 is a bottom plan view thereof; and,
FIG. 8 is an exploded perspective view thereof.

1 Claim, 8 Drawing Sheets



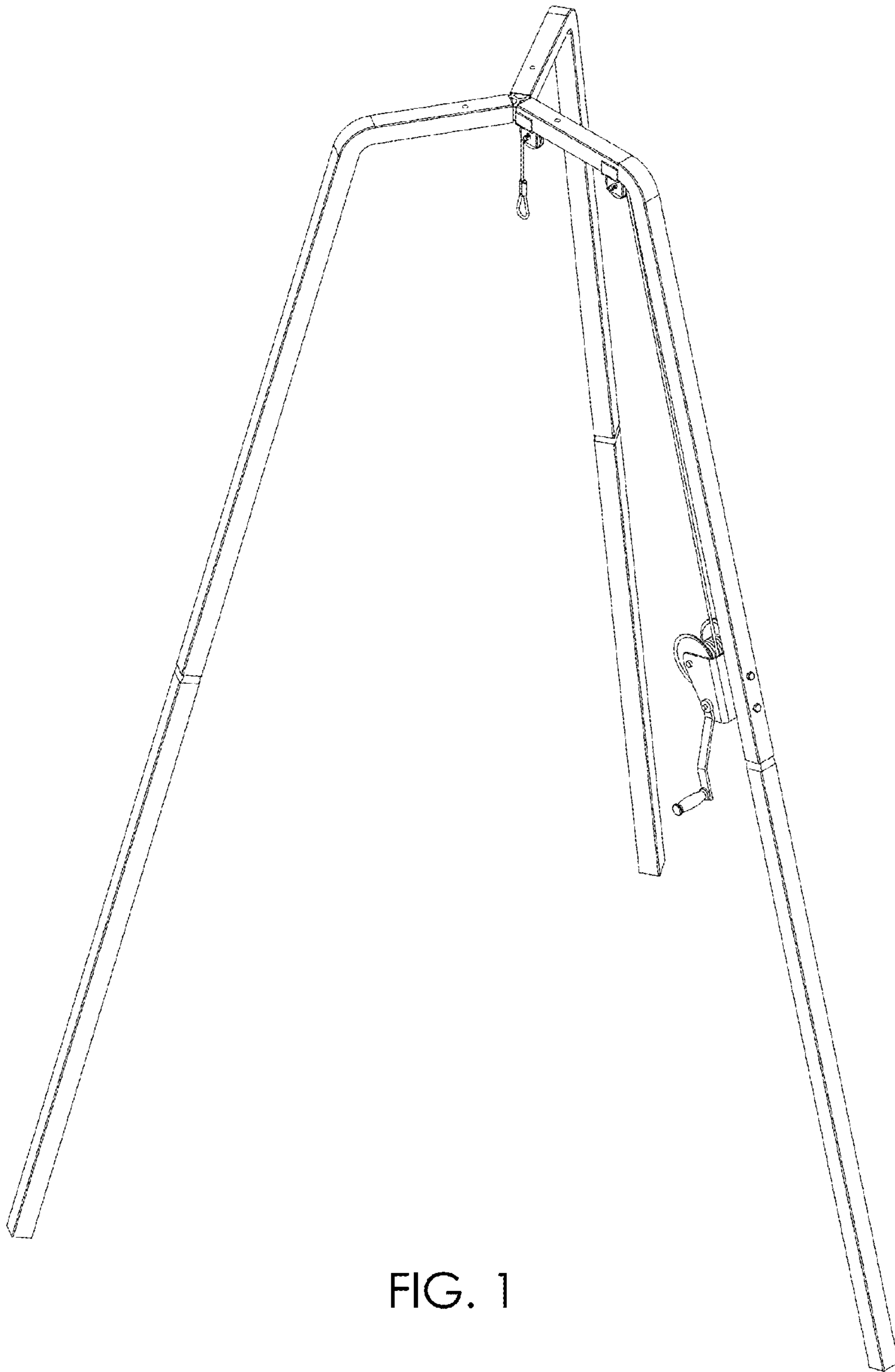


FIG. 1

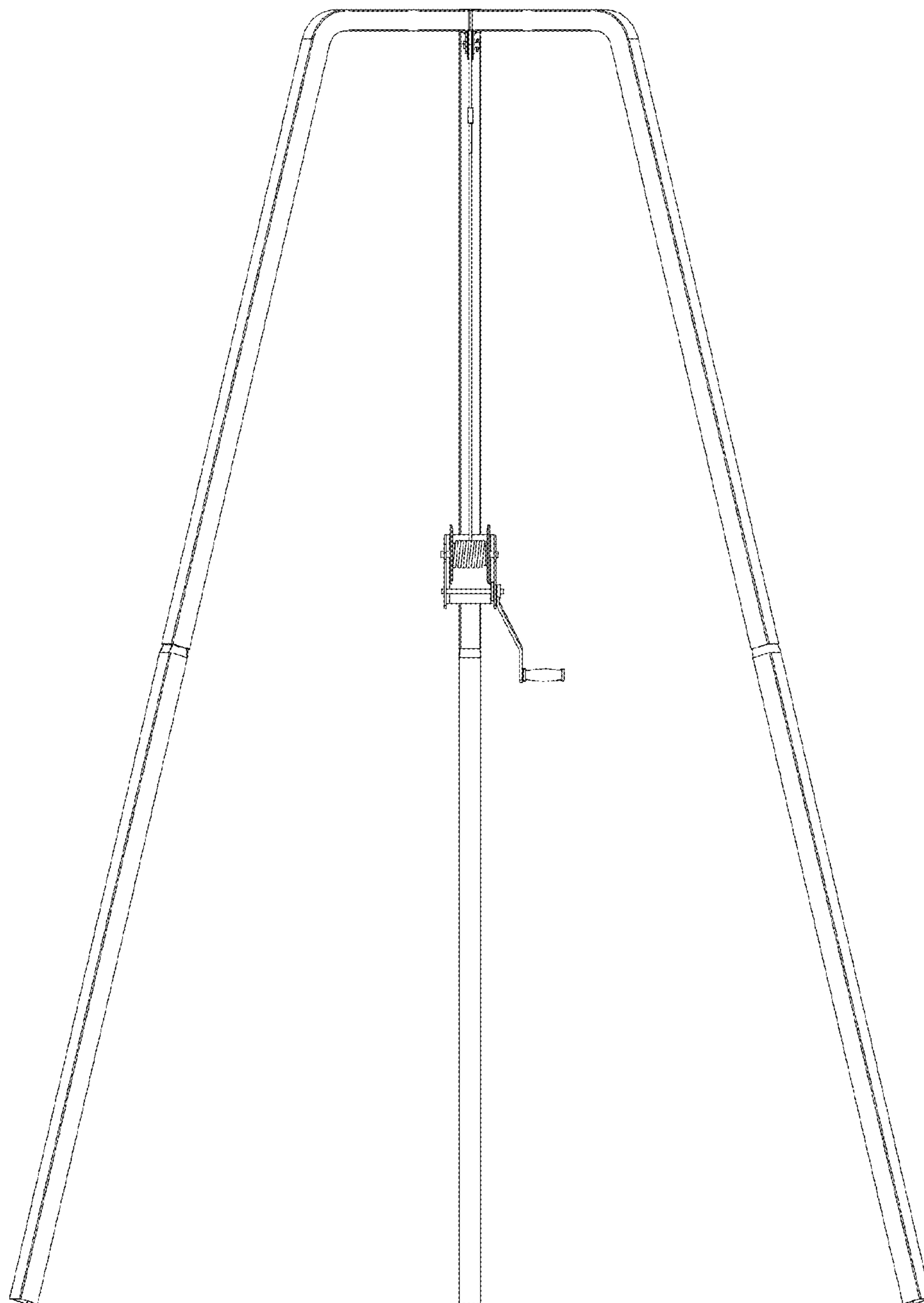


FIG. 2

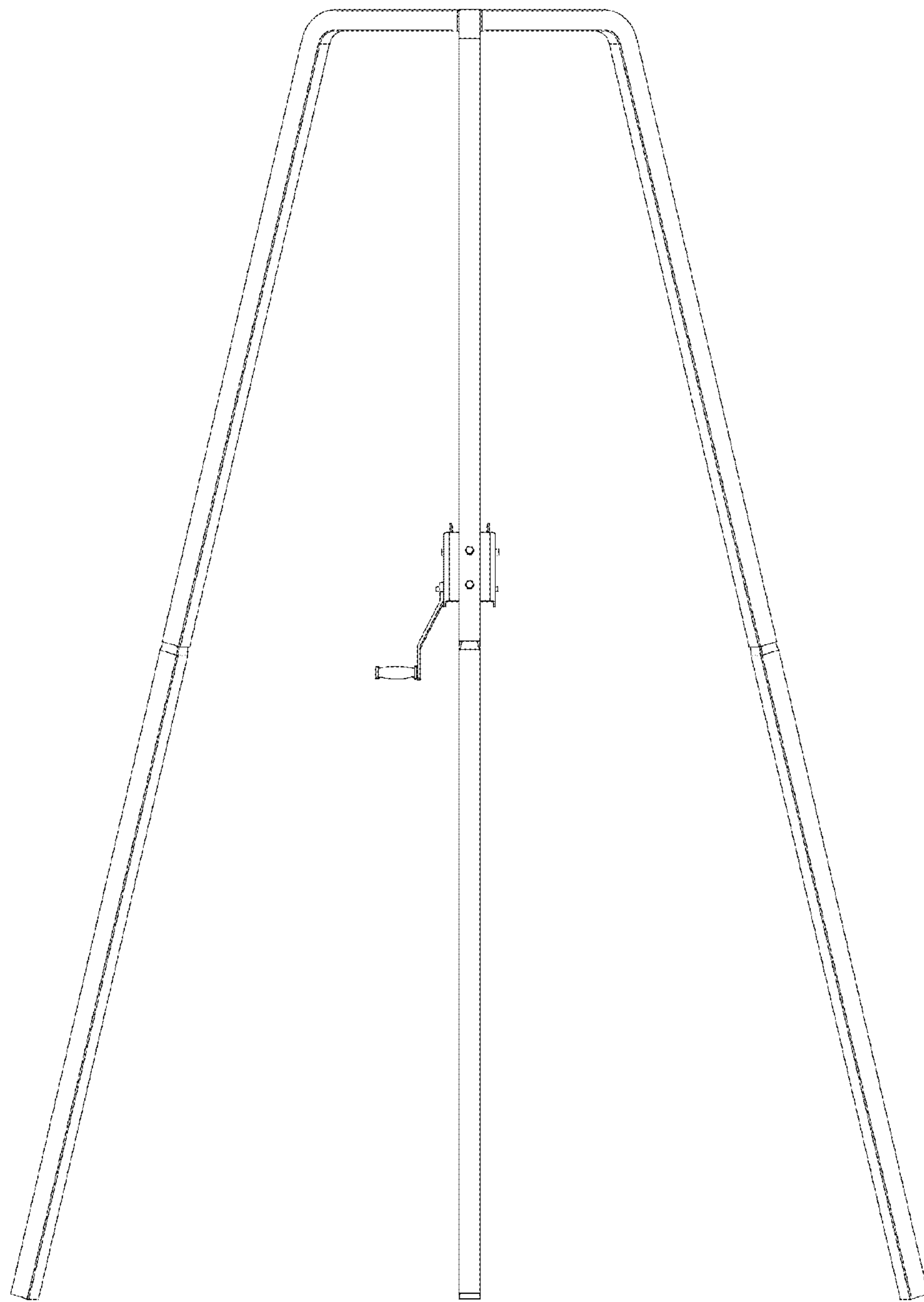


FIG. 3

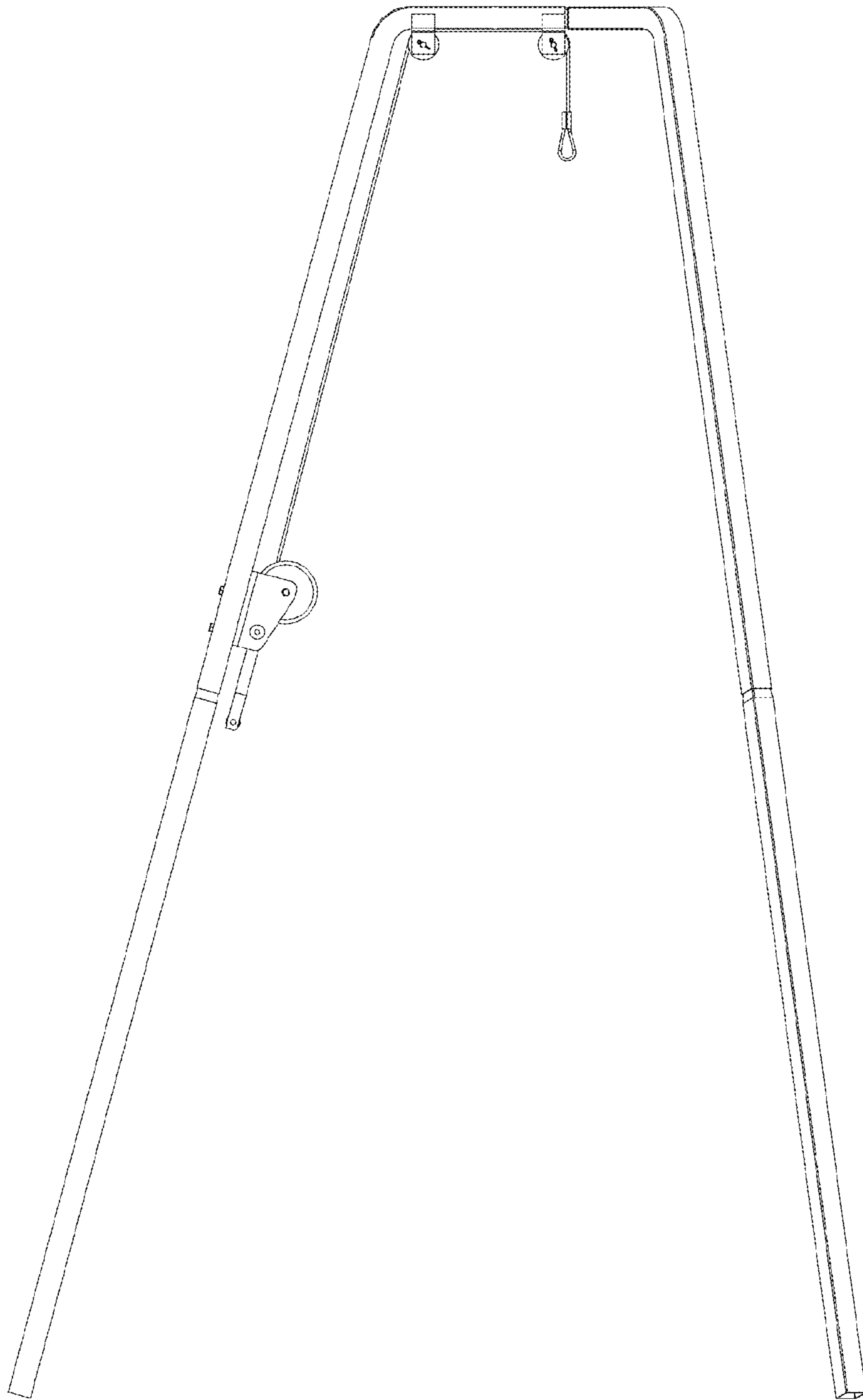


FIG. 4

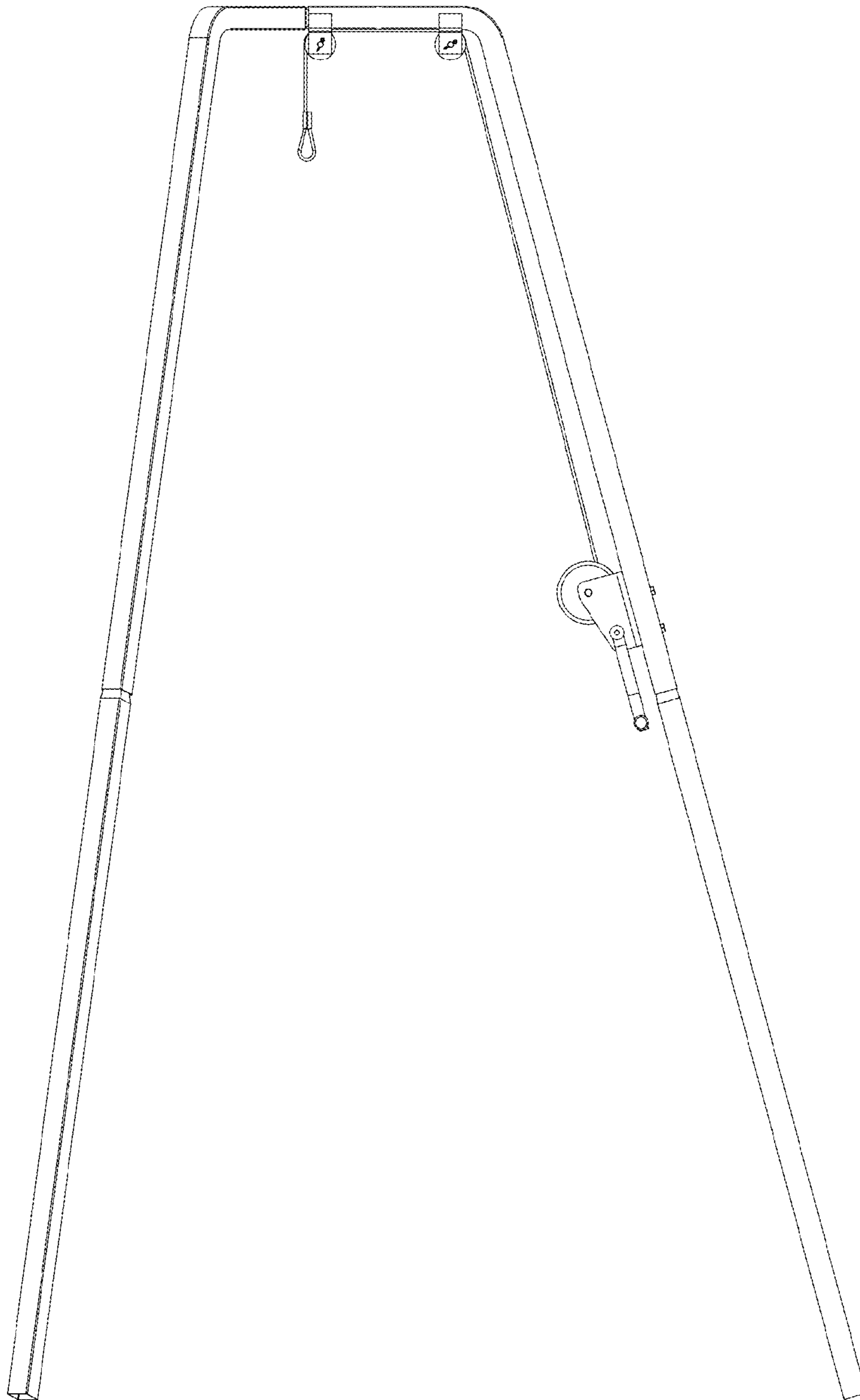


FIG. 5

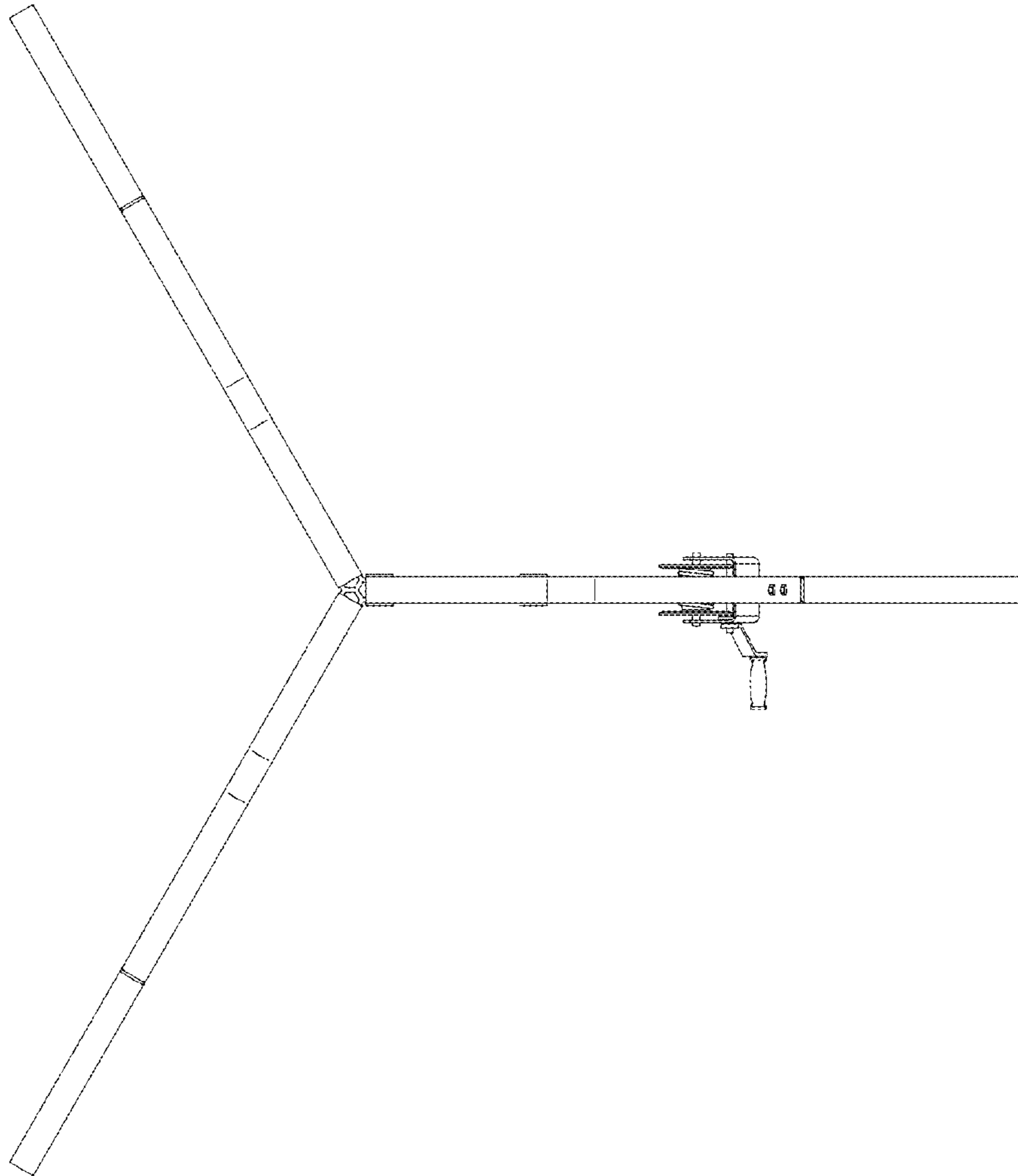


FIG. 6

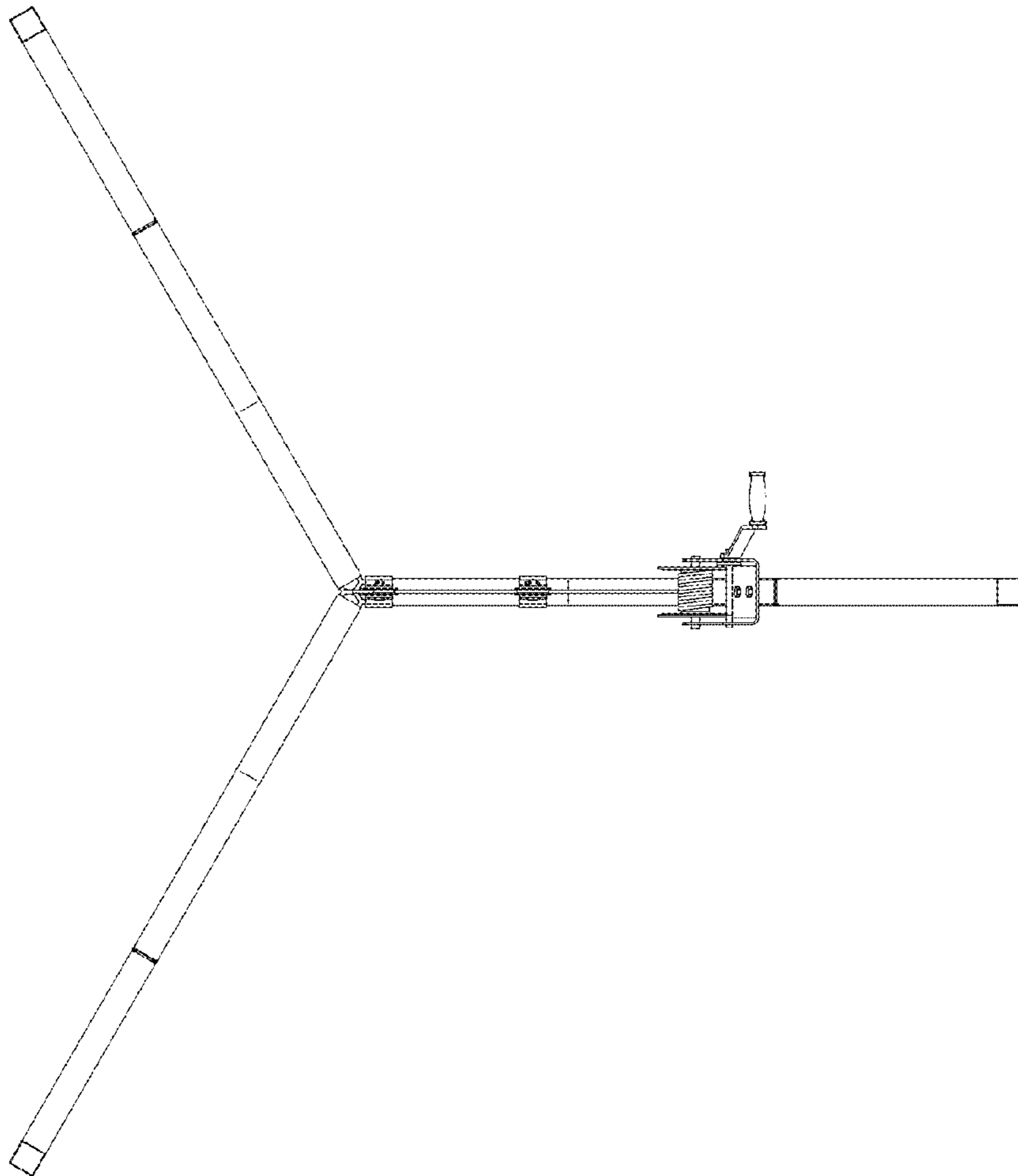


FIG. 7

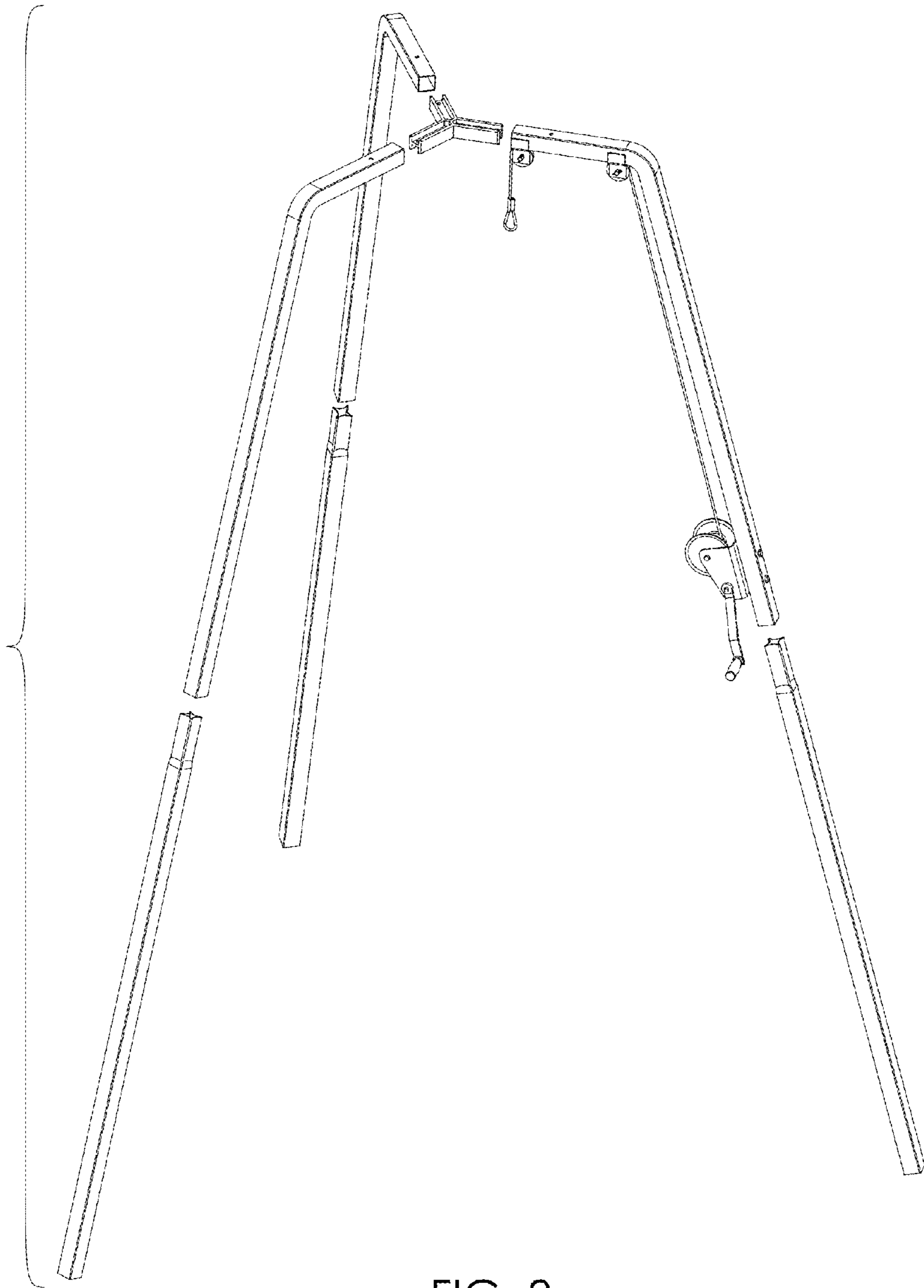


FIG. 8