

US00D730611S

(12) **United States Design Patent**
Arntz et al.

(10) **Patent No.:** **US D730,611 S**
(45) **Date of Patent:** **** May 26, 2015**

- (54) **SNOW REMOVAL DEVICE**
- (71) Applicants: **Hendrikus Petrus Maria Arntz**,
Eindhoven (NL); **Theodorus Petrus Maria Arntz**, Nijmegen (NL)
- (72) Inventors: **Hendrikus Petrus Maria Arntz**,
Eindhoven (NL); **Theodorus Petrus Maria Arntz**, Nijmegen (NL)
- (**) Term: **14 Years**
- (21) Appl. No.: **29/475,024**
- (22) Filed: **Nov. 27, 2013**
- (51) **LOC (10) Cl.** **12-05**
- (52) **U.S. Cl.**
USPC **D34/28**
- (58) **Field of Classification Search**
CPC B65G 11/023; B65G 11/18; B65G 11/166;
B65G 11/083; B65G 11/026; B65G 11/146;
B65G 2812/085; B65G 2812/082; B28C
5/4248; B28C 5/4251
USPC D34/28, 29, 35; 193/2 R, 4, 6, 22, 30, 32
See application file for complete search history.

3,159,258	A *	12/1964	Magyar	193/32
3,774,741	A *	11/1973	Johnson	193/10
4,634,285	A *	1/1987	Newberry	366/68
4,640,403	A *	2/1987	McDermott	193/34
D296,834	S *	7/1988	McDermott	D34/28
5,184,706	A *	2/1993	Christenson	193/2 R
D345,039	S *	3/1994	Doyle	D34/28
5,386,900	A *	2/1995	Horth et al.	193/2 R

FOREIGN PATENT DOCUMENTS

WO WO 2013/153040 10/2013

* cited by examiner

Primary Examiner — Cynthia Ramirez

(74) *Attorney, Agent, or Firm* — Leydig, Voit & Mayer, Ltd.

(57) **CLAIM**

I claim the ornamental design for a snow removal device, as shown and described.

DESCRIPTION

FIG. 1 is a perspective view of a snow removal device according to the present invention.

FIG. 2 is a front elevational view of the snow removal device of FIG. 1.

FIG. 3 is a left side elevational view of the snow removal device of FIG. 1.

FIG. 4 is a rear elevational view of the snow removal device of FIG. 1.

FIG. 5 is a right side elevational view of the snow removal device of FIG. 1; and,

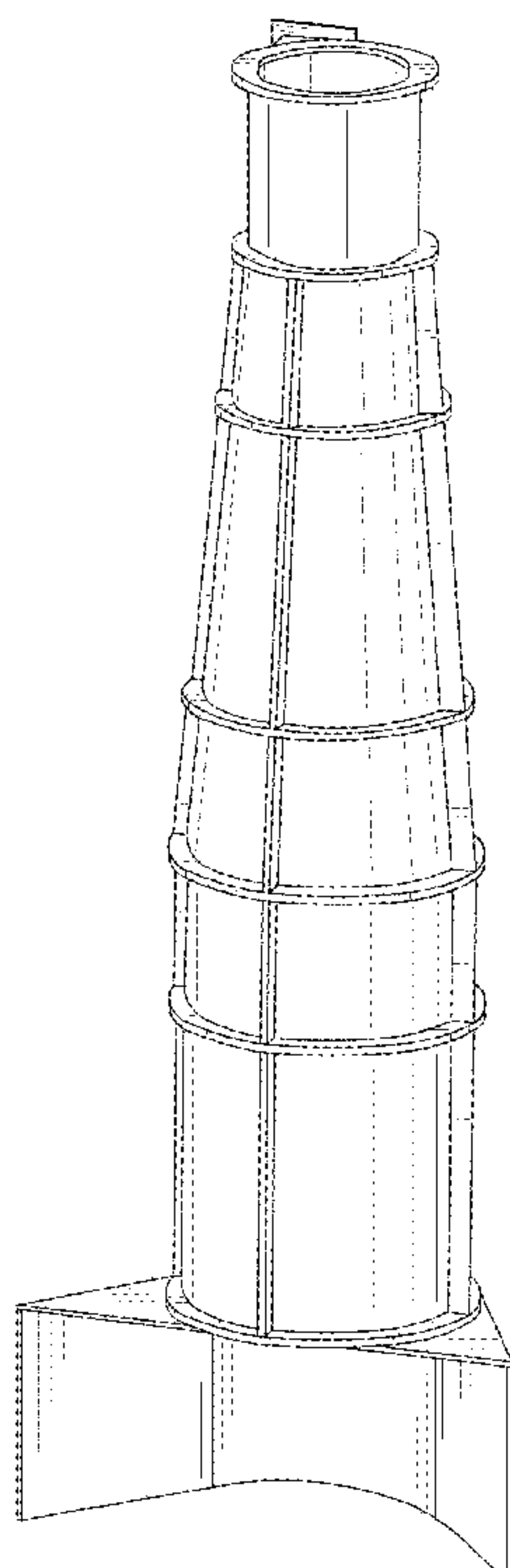
FIG. 6 is a top plan view of the snow removal device of FIG. 1.

1 Claim, 6 Drawing Sheets

(56) **References Cited**

U.S. PATENT DOCUMENTS

195,893	A *	10/1877	Jackson	193/3
892,550	A *	7/1908	Ream	193/2 R
958,137	A *	5/1910	Kirpatrick	406/167
1,503,669	A *	8/1924	Simon	193/30
1,561,448	A *	11/1925	Simon	193/27
2,439,961	A *	4/1948	Bauders	193/5



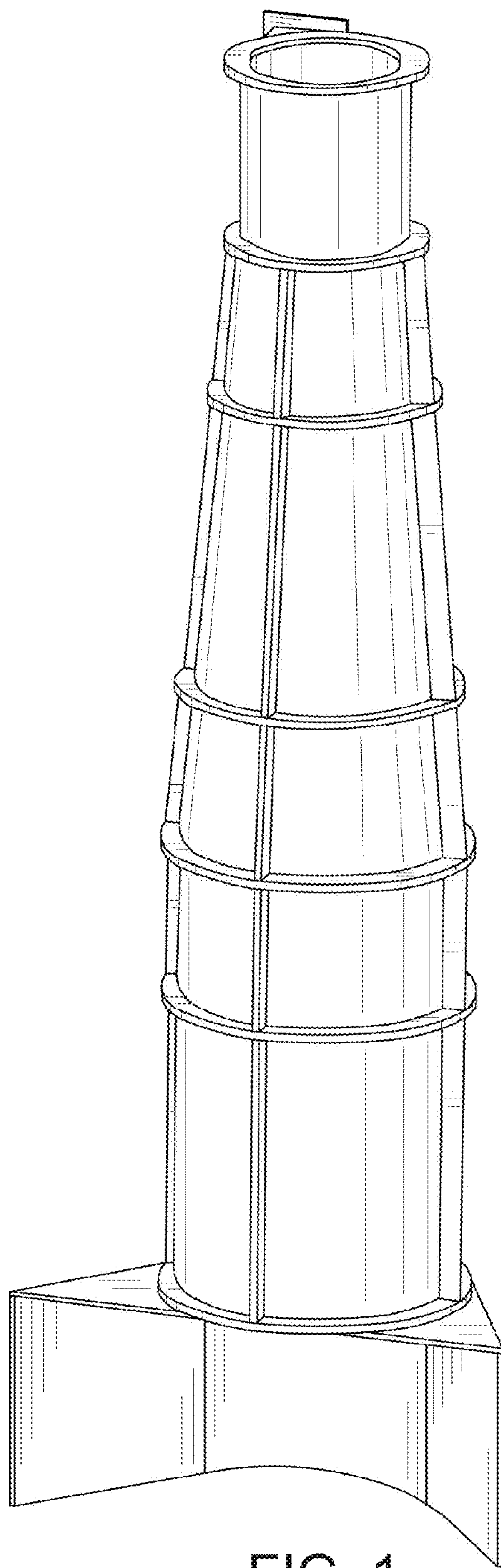


FIG. 1

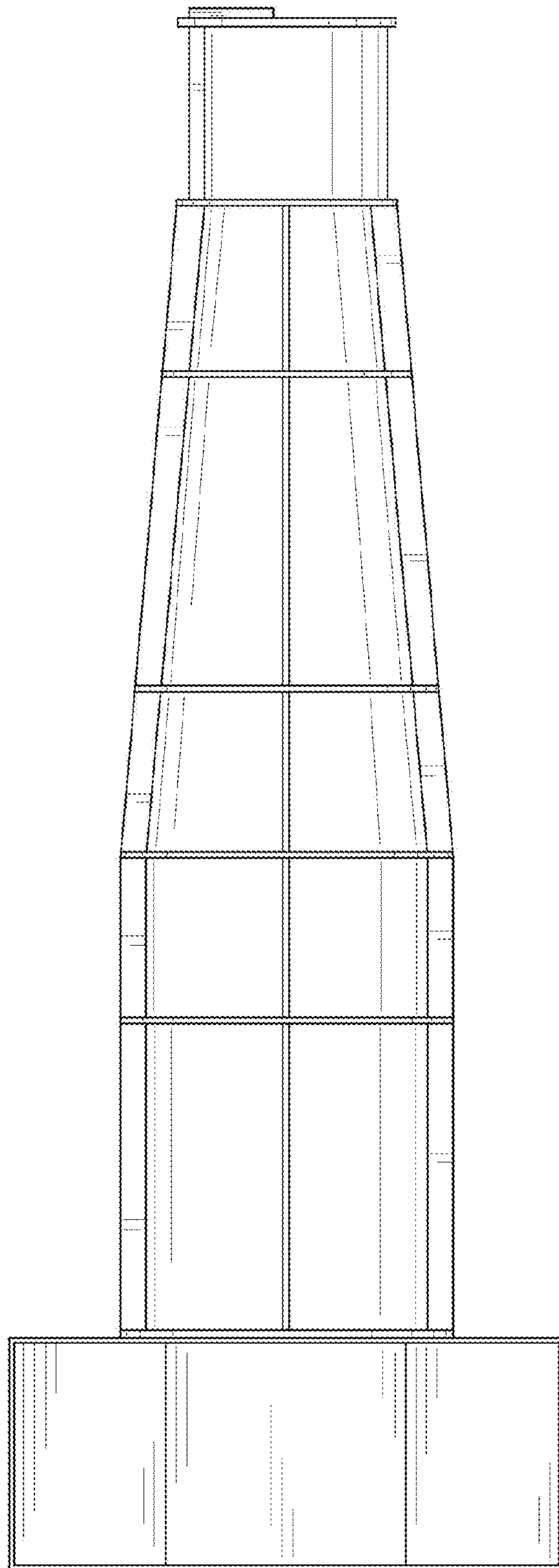


FIG. 2

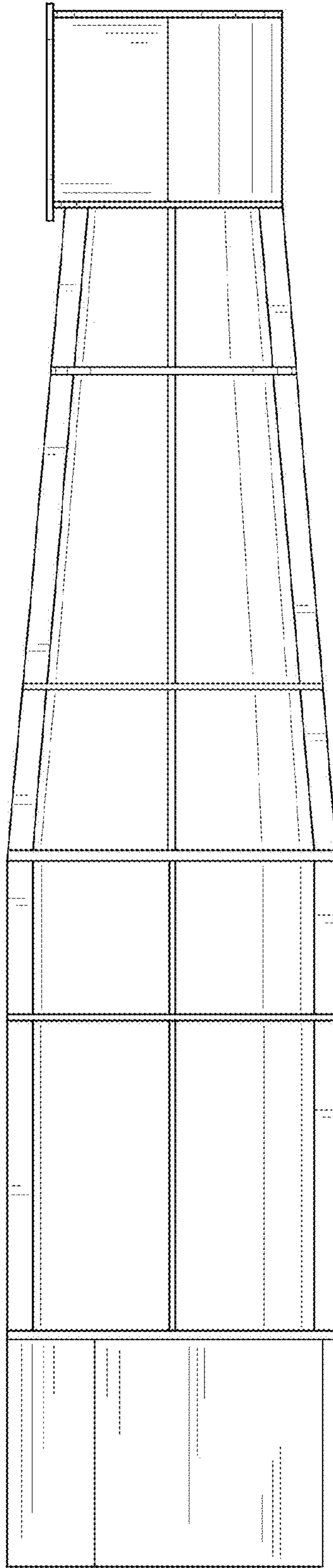


FIG. 3

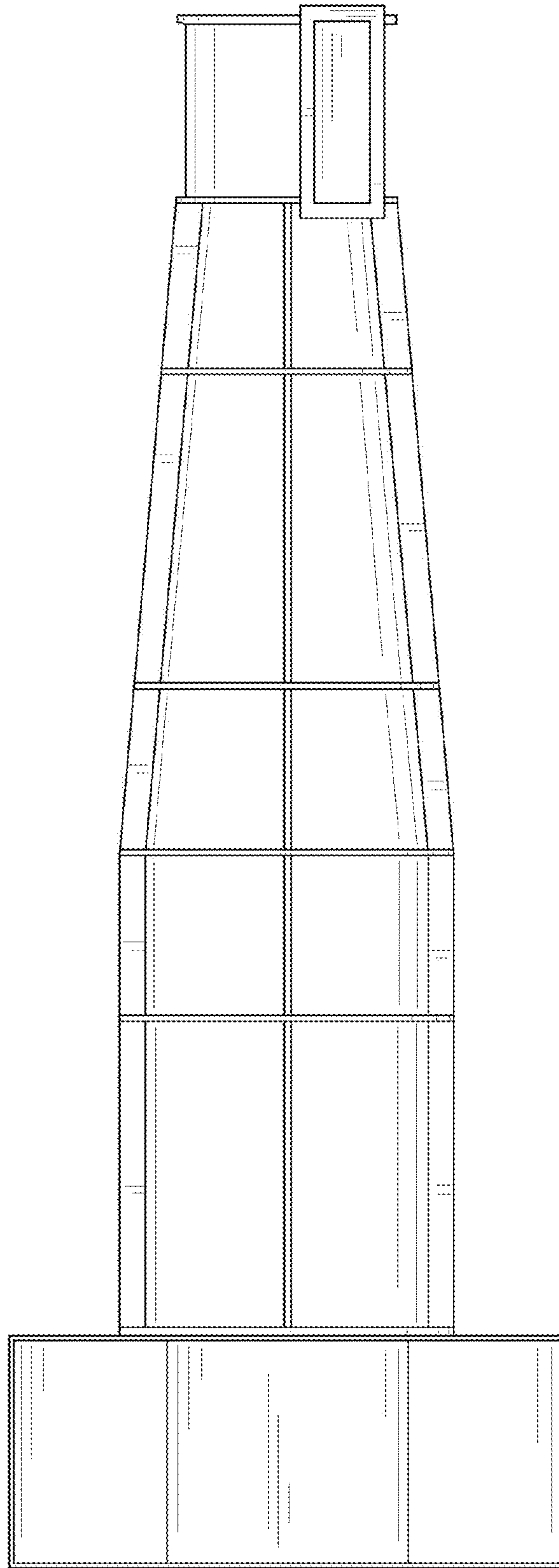


FIG. 4

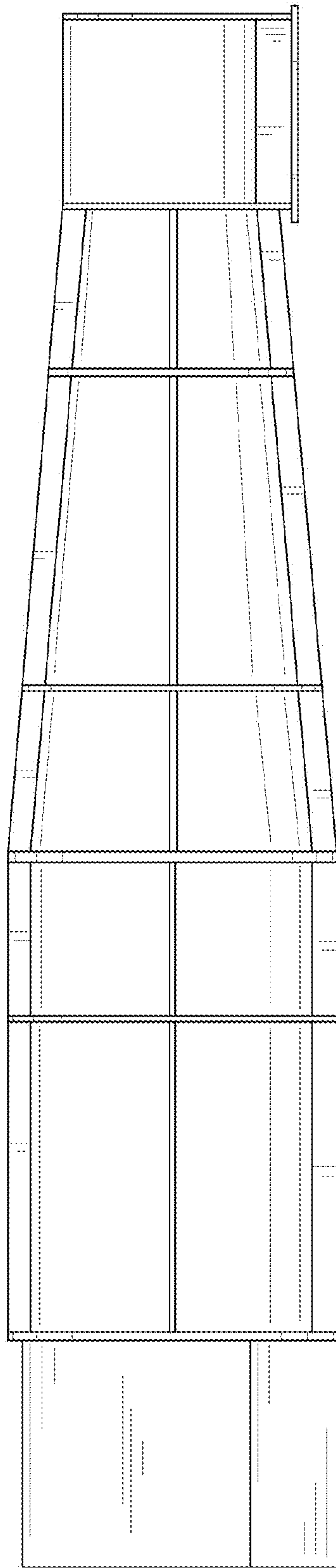


FIG. 5

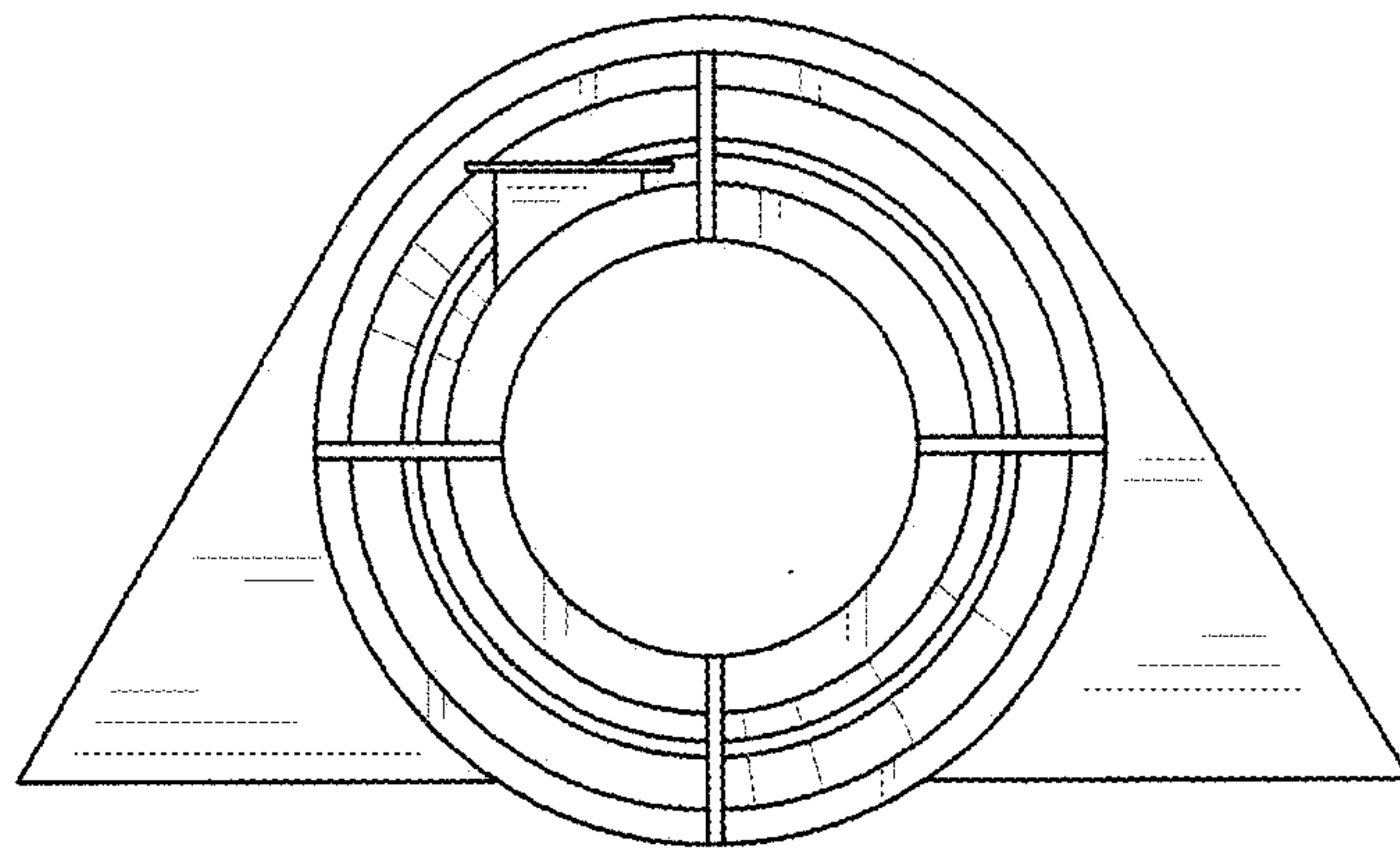


FIG. 6