



US00D730610S

(12) **United States Design Patent**
Avila

(10) **Patent No.:** **US D730,610 S**

(45) **Date of Patent:** **** May 26, 2015**

(54) **BELLMAN'S CART**

(71) Applicant: **Richard Avila**, Laguna Beach, CA (US)

(72) Inventor: **Richard Avila**, Laguna Beach, CA (US)

(**) Term: **14 Years**

(21) Appl. No.: **29/496,319**

(22) Filed: **Jul. 11, 2014**

(51) **LOC (10) Cl.** **12-02**

(52) **U.S. Cl.**
USPC **D34/17**

(58) **Field of Classification Search**
CPC B62B 3/02; B62B 3/005; B62B 3/004;
B62B 3/002; B62B 3/027; B62B 3/04; B62B
2203/10; B62B 5/0003; B62B 5/0006; B62B
5/04; B62B 5/025; A47G 25/0664; A47G
43/00
USPC D34/12-27; 280/79.3, 33.998, 47.34,
280/47.35, 47.36; D6/475, 410; 211/204
See application file for complete search history.

(56) **References Cited**

U.S. PATENT DOCUMENTS

D323,049 S * 1/1992 DeWitt D34/17
D550,919 S * 9/2007 Tuncel D34/17

D550,920 S * 9/2007 Tuncel D34/17
D591,473 S * 4/2009 Tuncel D34/17
D592,820 S * 5/2009 Tuncel D34/17
D703,905 S * 4/2014 Tuncel D34/23
D713,112 S * 9/2014 Maher D34/17
2007/0163974 A1 * 7/2007 Lai 211/85.3
2012/0097628 A1 * 4/2012 Blacknell 211/85.3
2014/0262659 A1 * 9/2014 Hirsch 190/13 R

* cited by examiner

Primary Examiner — Cynthia Ramirez

(74) *Attorney, Agent, or Firm* — Hayes Soloway PC

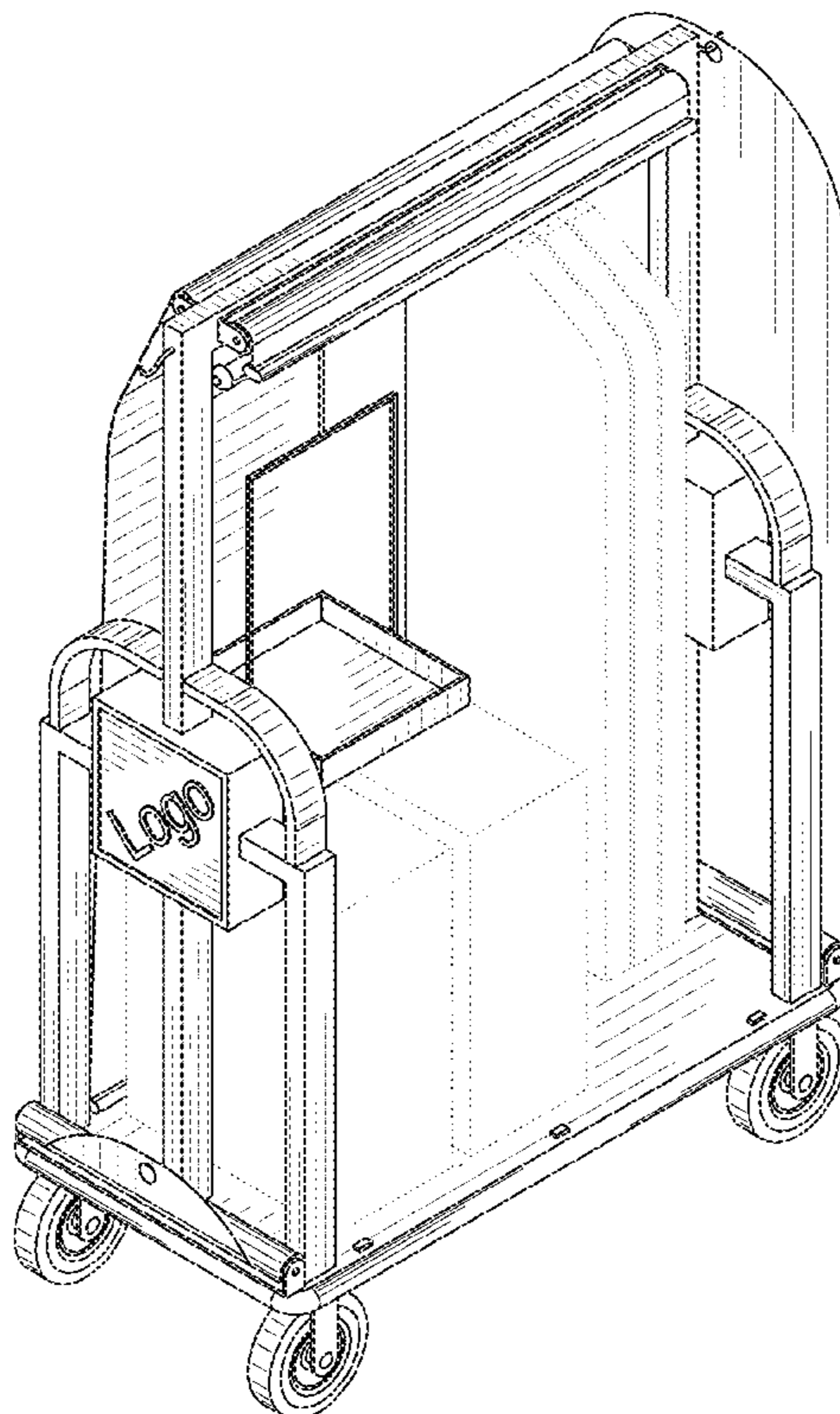
(57) **CLAIM**

I claim the ornamental design of a bellman's cart, as shown and described.

DESCRIPTION

FIG. 1 is a perspective view of a bellman's cart showing the new design;
FIG. 2 is a front view of a bellman's cart thereof;
FIG. 3 is a right side view of a bellman's cart thereof;
FIG. 4 is a back view of a bellman's cart thereof;
FIG. 5 is a left side view of a bellman's cart thereof;
FIG. 6 is a top plan view of a bellman's cart thereof; and,
FIG. 7 is a bottom view of a bellman's cart thereof.
The dotted lines are intended to show features that are environmental only and form no part of the claimed design.

1 Claim, 7 Drawing Sheets



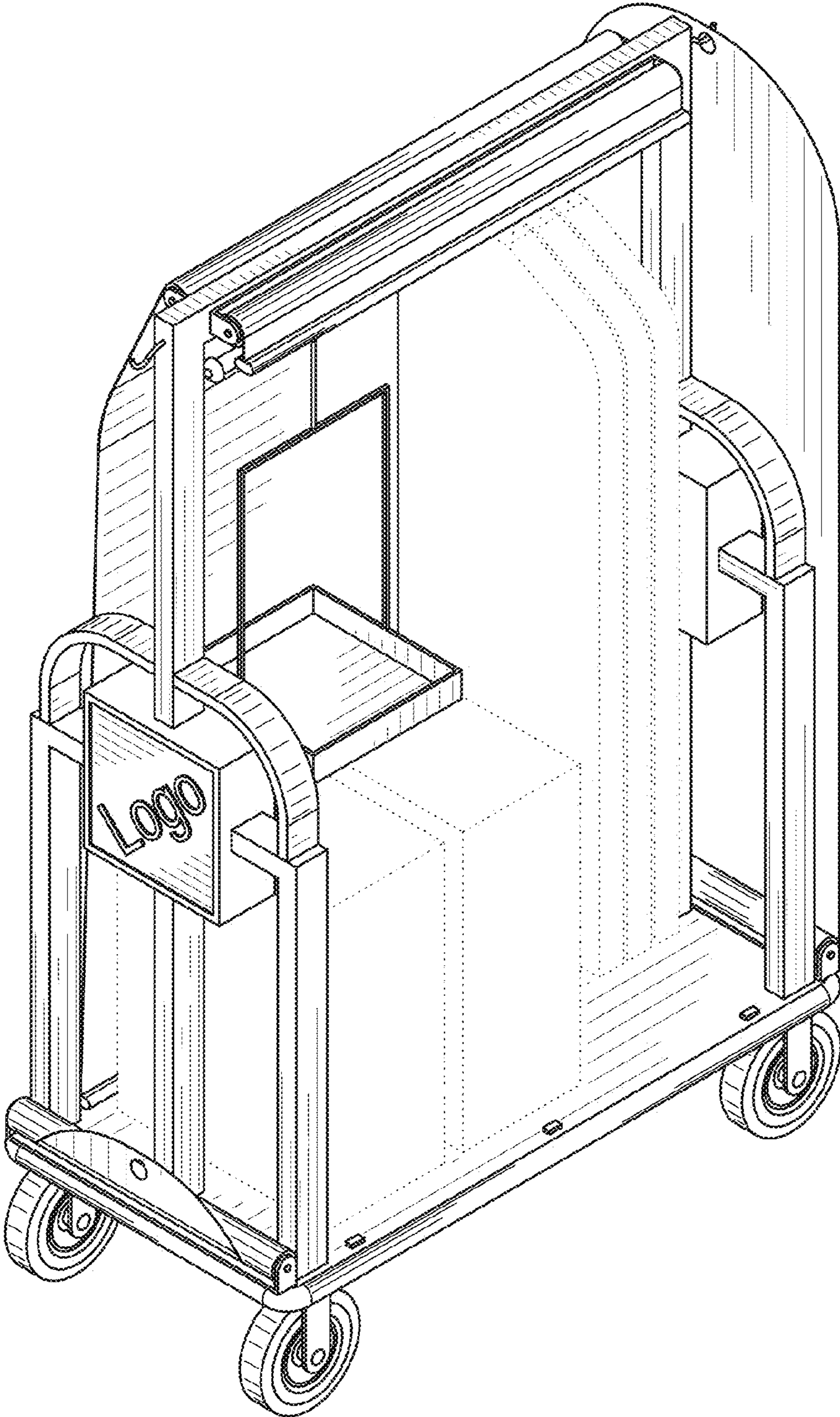


FIG. 1

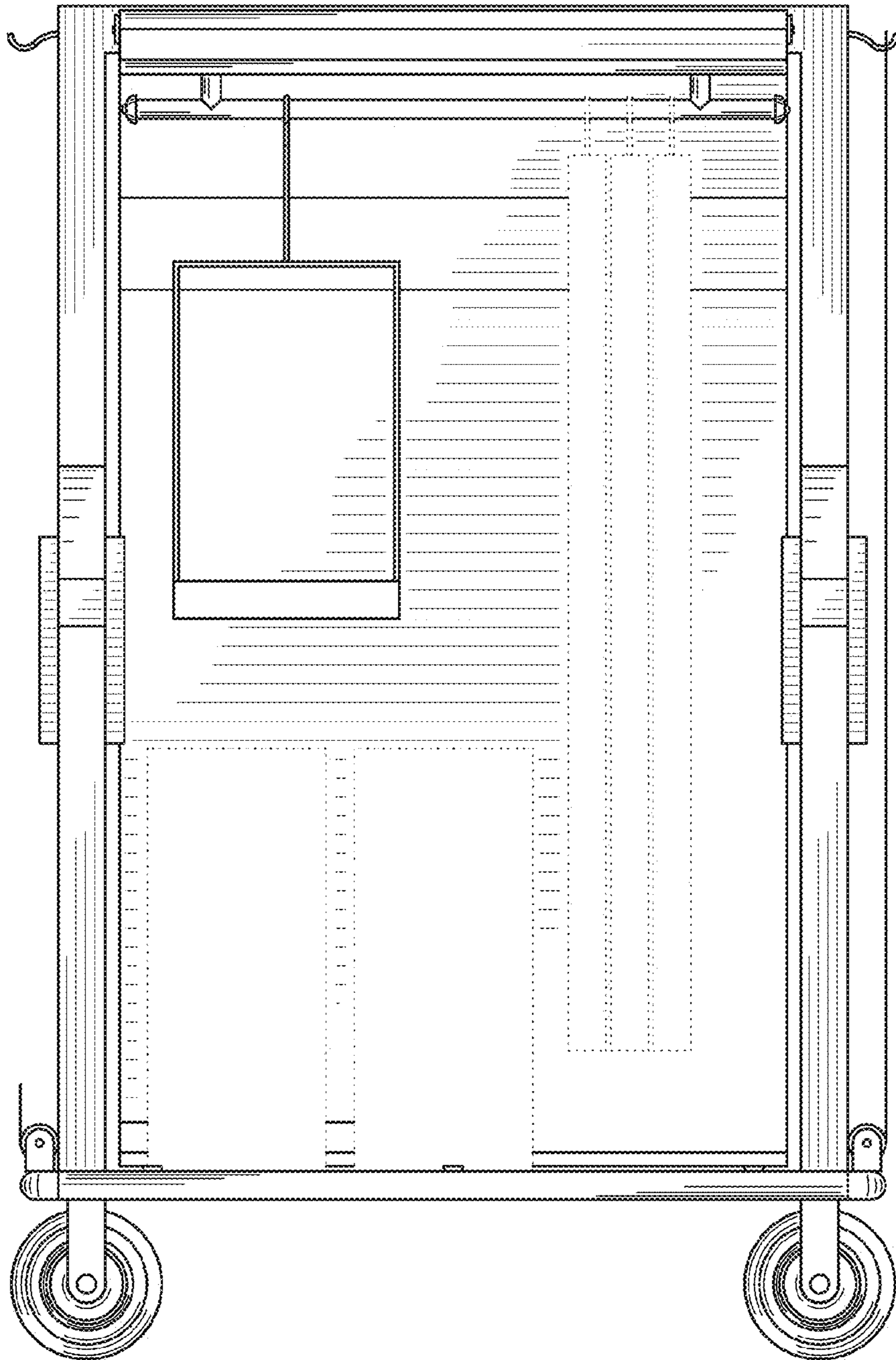


FIG. 2

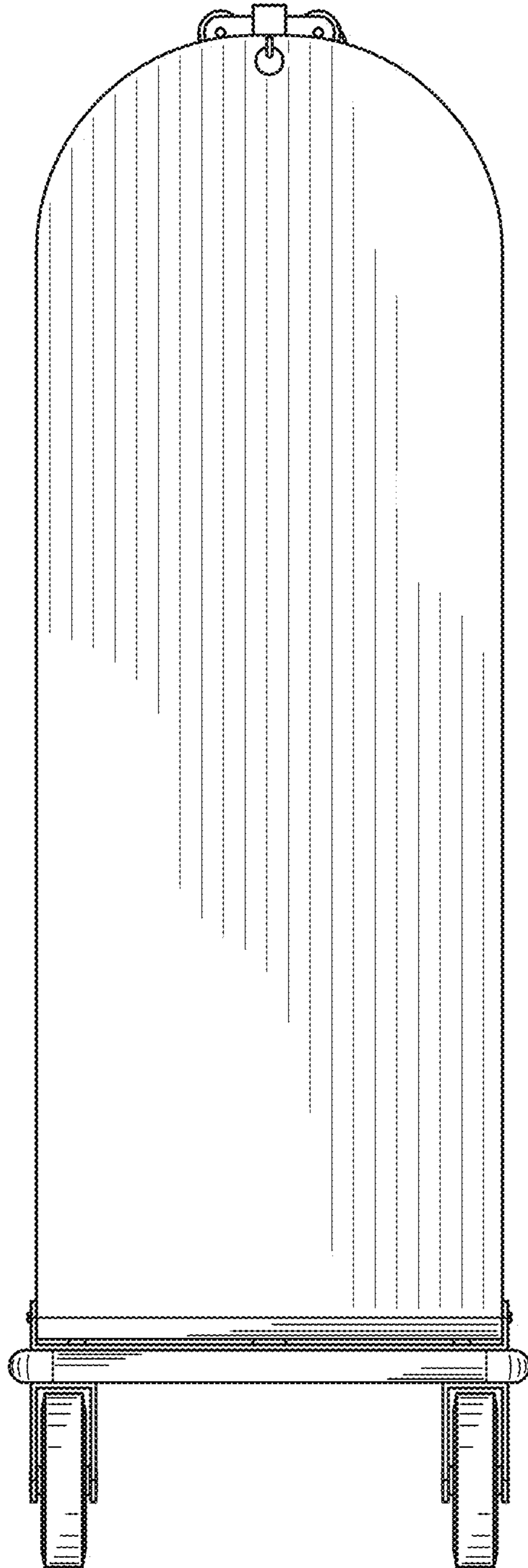


FIG. 3

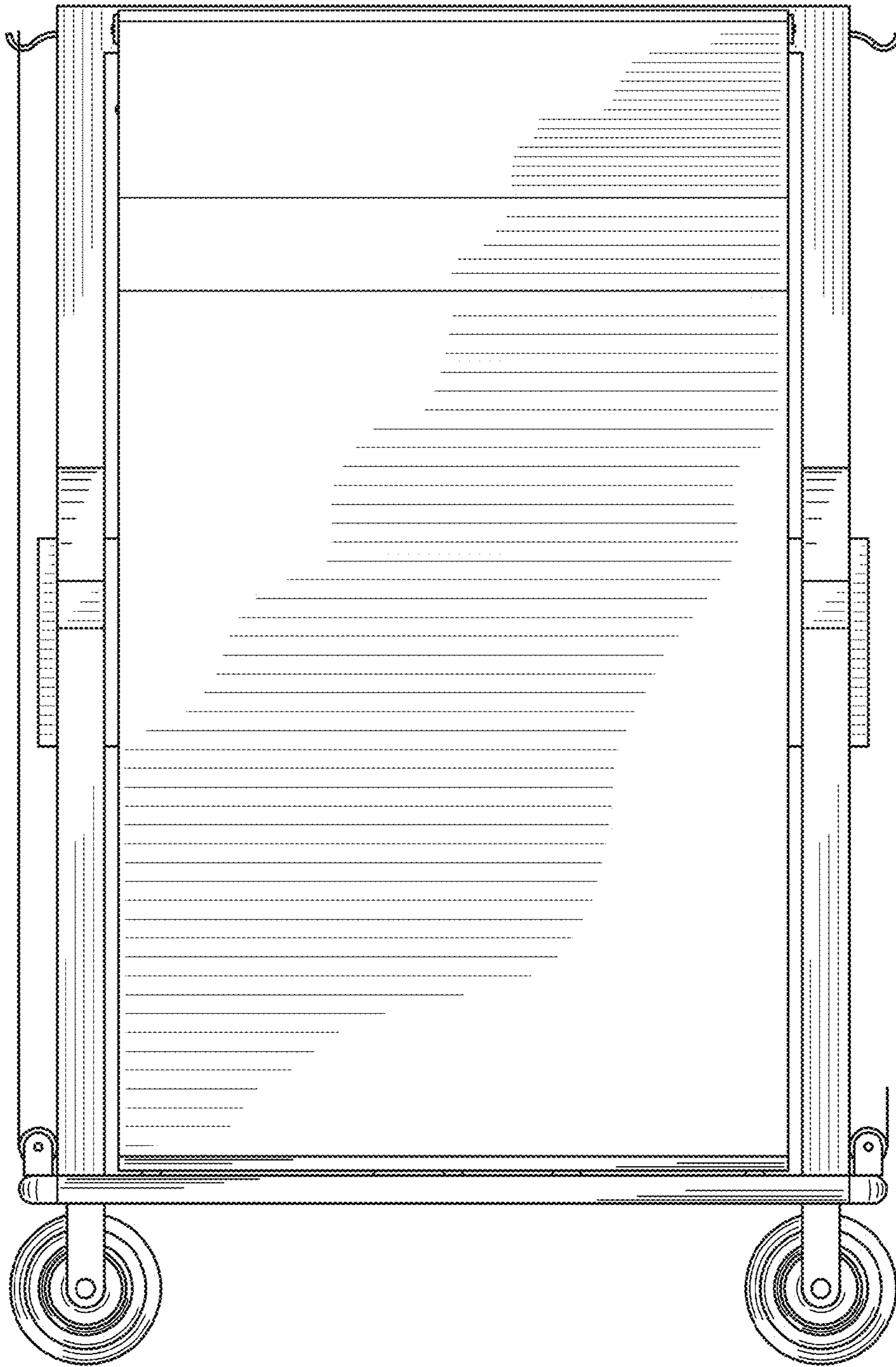


FIG. 4

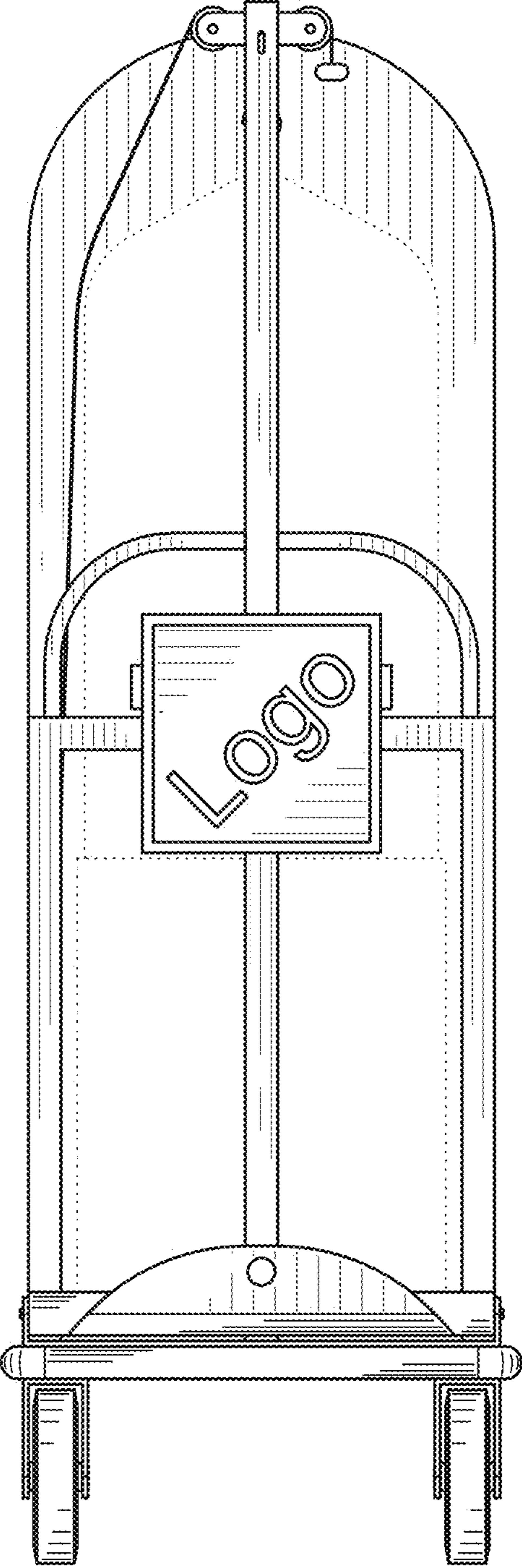


FIG. 5

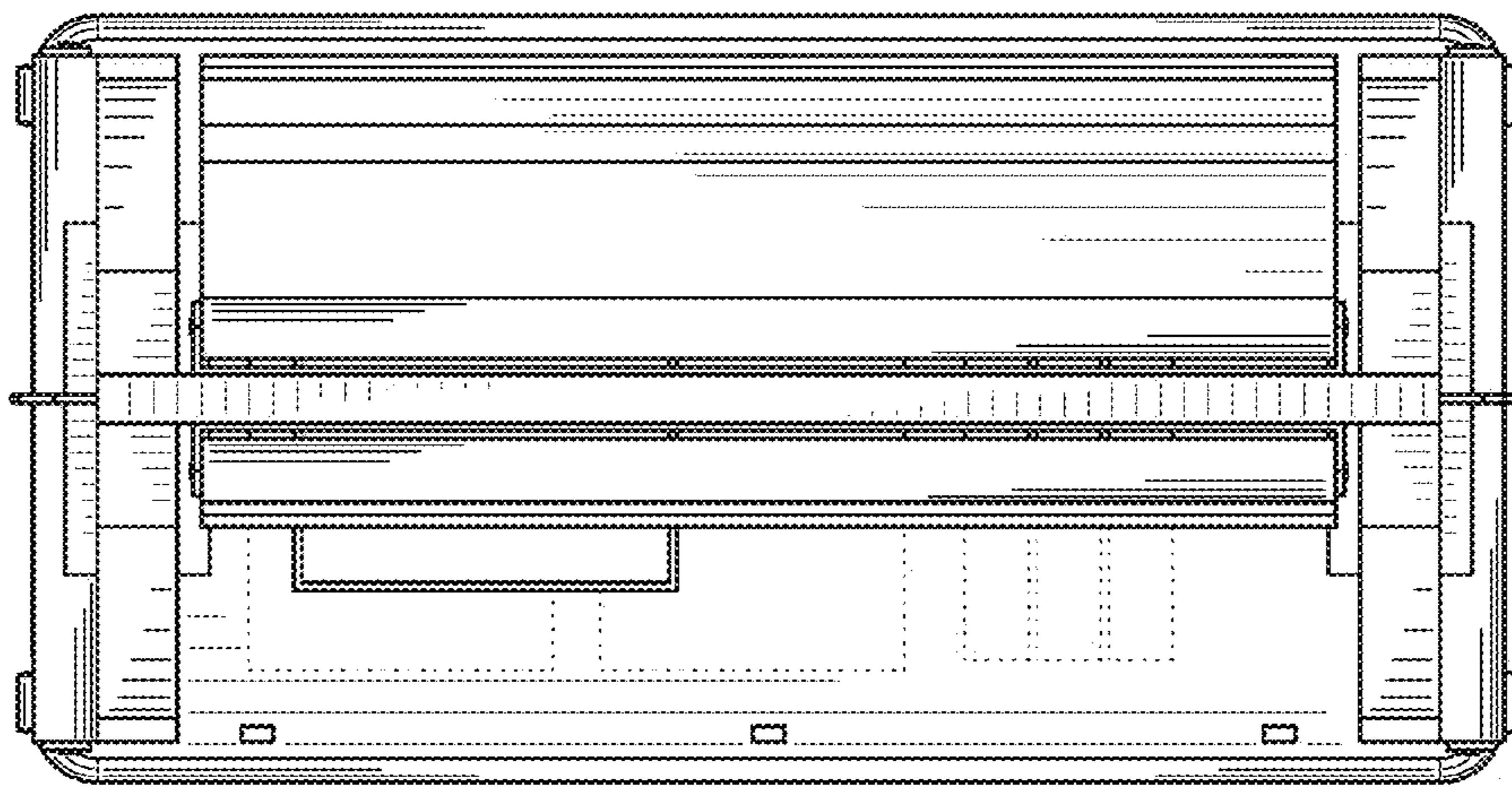


FIG. 6

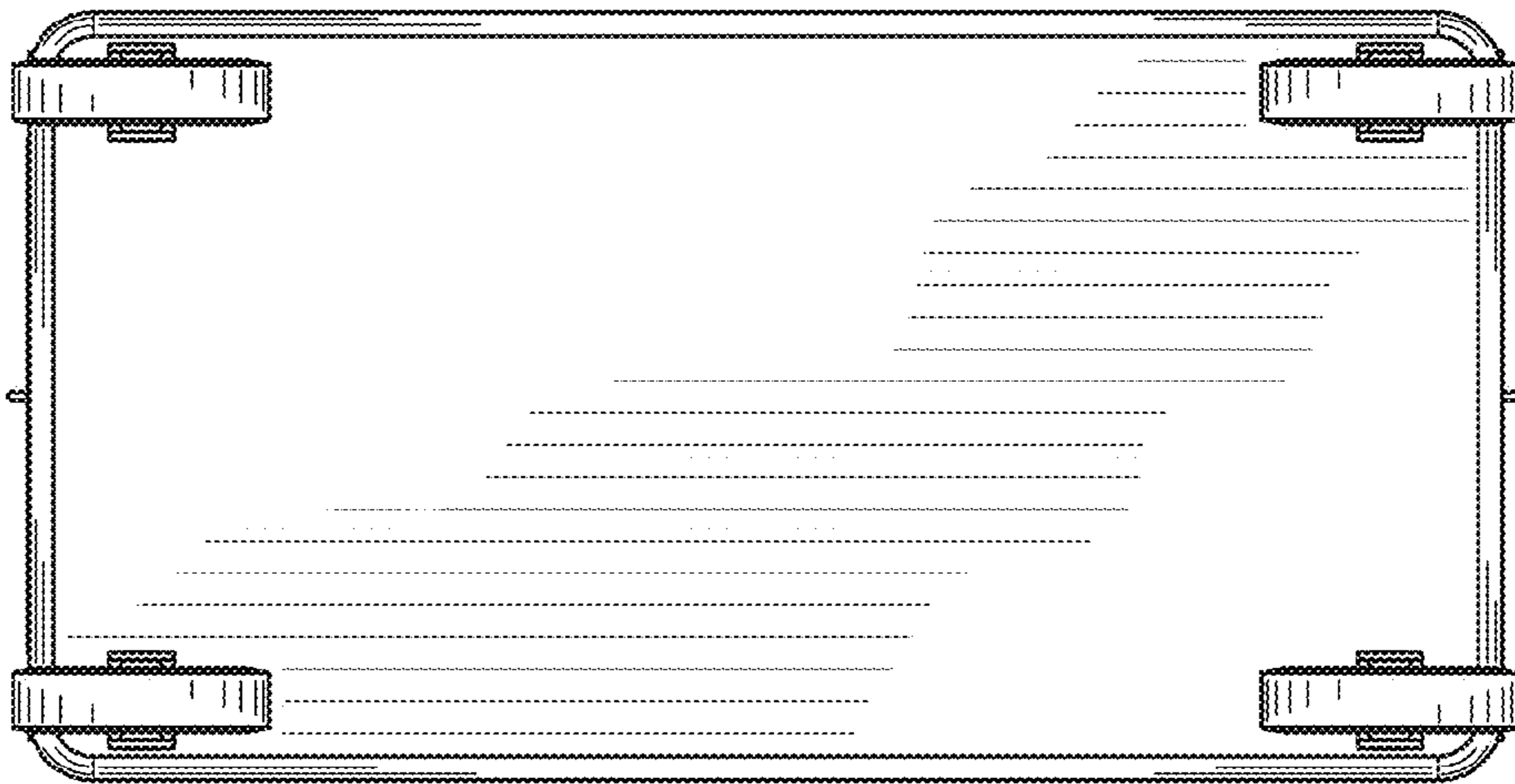


FIG. 7