



US00D730609S

(12) **United States Design Patent**
Miller

(10) **Patent No.:** **US D730,609 S**

(45) **Date of Patent:** **** May 26, 2015**

(54) **WELDING CART**

(71) Applicant: **LINCOLN GLOBAL, INC.**, City of Industry, CA (US)

(72) Inventor: **Victor Miller**, Jamul, CA (US)

(73) Assignee: **Lincoln Global, Inc.**, City of Industry, CA (US)

(**) Term: **14 Years**

(21) Appl. No.: **29/472,433**

(22) Filed: **Nov. 12, 2013**

(51) **LOC (10) Cl.** **12-02**

(52) **U.S. Cl.**
USPC **D34/17**

(58) **Field of Classification Search**
CPC B23K 7/10; B23K 9/201; B23K 9/206;
B23K 9/287; B23K 9/32; B23K 9/323;
B25H 3/00
USPC D34/12-27; 280/30, 5.32, 651, 47.35,
280/79.11, 79.3, 47.26, 79.2, 47.371;
312/249.12, 109, 237; 211/204,
211/126.15; 320/114; 15/315; 318/280,
318/139; D6/675.1

See application file for complete search history.

(56) **References Cited**

U.S. PATENT DOCUMENTS

D174,193	S *	3/1955	Pinkus	D34/21
3,788,413	A *	1/1974	Miller	180/8.2
3,955,511	A *	5/1976	Bak	108/137
4,763,799	A *	8/1988	Cohn et al.	211/187
4,998,023	A *	3/1991	Kitts	280/47.35
D349,796	S *	8/1994	Wimberley et al.	D34/15
D361,643	S *	8/1995	Snell	D34/21
D363,590	S *	10/1995	Kazmerchek et al.	D34/21
D381,168	S *	7/1997	Delmerico et al.	D34/21
5,642,898	A *	7/1997	Wise	
D391,032	S *	2/1998	Delmerico	D34/21

D423,177	S *	4/2000	Gaffney et al.	D34/27
6,512,195	B2	1/2003	Domschot	
D487,604	S *	3/2004	Van Lanningham, Jr.	D34/12
D493,019	S *	7/2004	Lovegrove et al.	D34/17
7,114,732	B1	10/2006	Ismail	
7,252,297	B1	8/2007	Barritt	
D554,323	S *	10/2007	Roth	D34/12
7,309,845	B2	12/2007	Domschot	
D575,473	S *	8/2008	Presnell	D34/27
D575,922	S *	8/2008	Presnell	D34/27
D578,269	S *	10/2008	Van Lanningham, Jr.	D34/17
7,516,967	B2 *	4/2009	Schwei et al.	280/79.2
D598,623	S *	8/2009	Zang Wentz Pho	D34/21
D618,418	S *	6/2010	Catron et al.	D34/12

(Continued)

FOREIGN PATENT DOCUMENTS

CA	2422134	A1	5/2008
CN	2675323	Y	2/2005
CN	102974960	A	3/2013

Primary Examiner — Cynthia Ramirez

Assistant Examiner — Gino Colan

(74) *Attorney, Agent, or Firm* — Hahn, Loeser & Parks LLP

(57) **CLAIM**

The ornamental design for a welding cart, as shown and described.

DESCRIPTION

FIG. 1 is a top perspective view of a welding cart showing my new design with environment shown in broken lines;

FIG. 2 is a bottom perspective view thereof;

FIG. 3 is a front view thereof;

FIG. 4 is a rear side view thereof;

FIG. 5 is a left side view thereof;

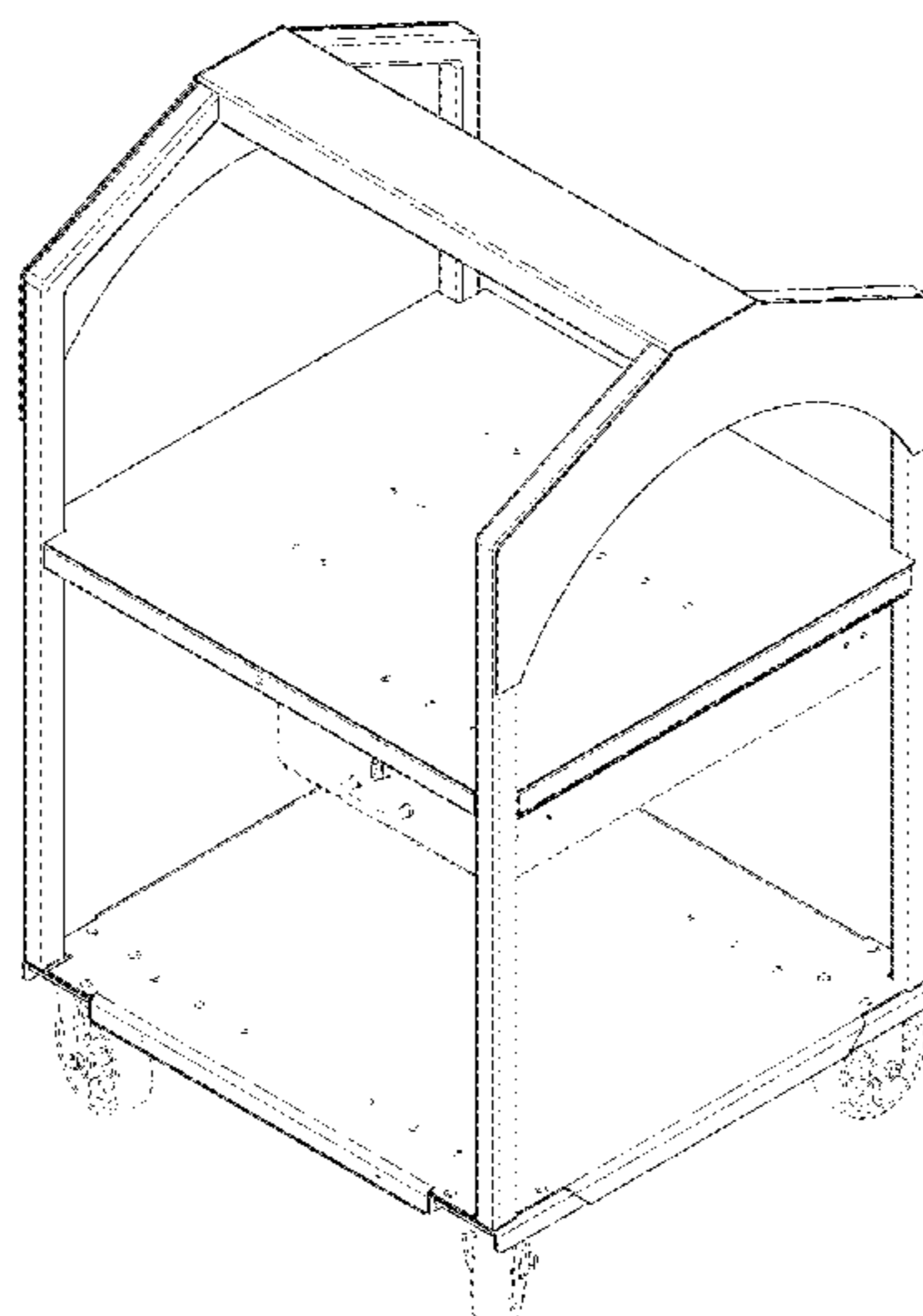
FIG. 6 is a right view thereof;

FIG. 7 is a top view thereof; and,

FIG. 8 is a bottom view thereof.

The broken lines shown are environmental only and form no part of the claimed design.

1 Claim, 5 Drawing Sheets



(56)

References Cited

U.S. PATENT DOCUMENTS

D618,419 S *	6/2010	Patron et al.	D34/12	8,752,848 B2 *	6/2014	Petrick et al.	280/47.35
D618,420 S *	6/2010	Perelli et al.	D34/17	D710,064 S *	7/2014	Schumaker et al.	D34/17
D629,028 S *	12/2010	Johnson	D15/144	D711,613 S *	8/2014	Brenner	D34/14
D636,550 S *	4/2011	Molayem	D34/21	2004/0212162 A1 *	10/2004	Calmeise et al.	280/47.35
D657,110 S *	4/2012	Schlomann	D34/21	2004/0227315 A1 *	11/2004	Van Latingham, Jr. .	280/47.35
8,167,322 B2	5/2012	Greene		2008/0157494 A1 *	7/2008	Nieh	280/47.34
				2012/0032408 A1 *	2/2012	Greene	280/47.35
				2012/0091672 A1 *	4/2012	Kaiser	280/30

* cited by examiner

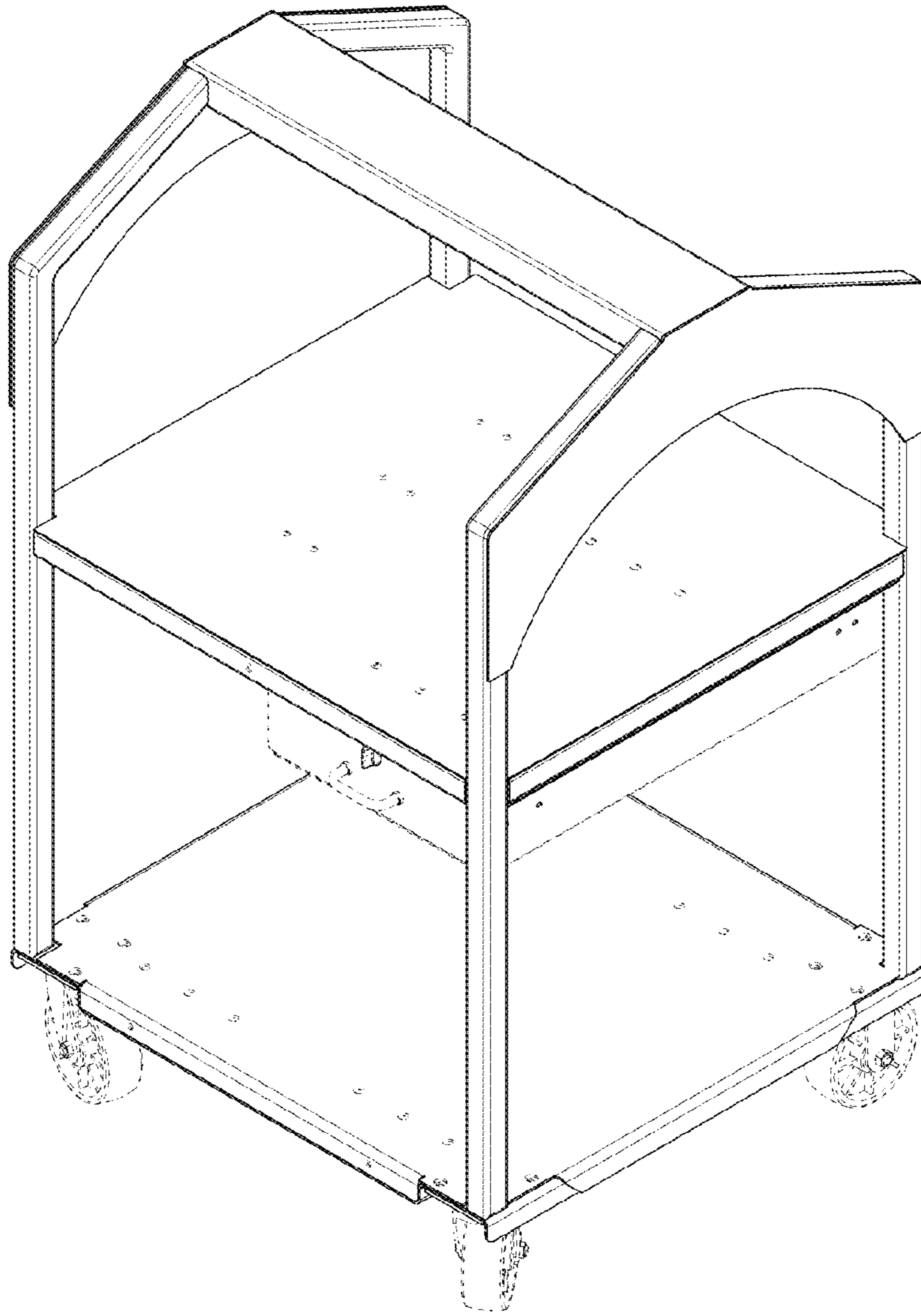


FIG. 1

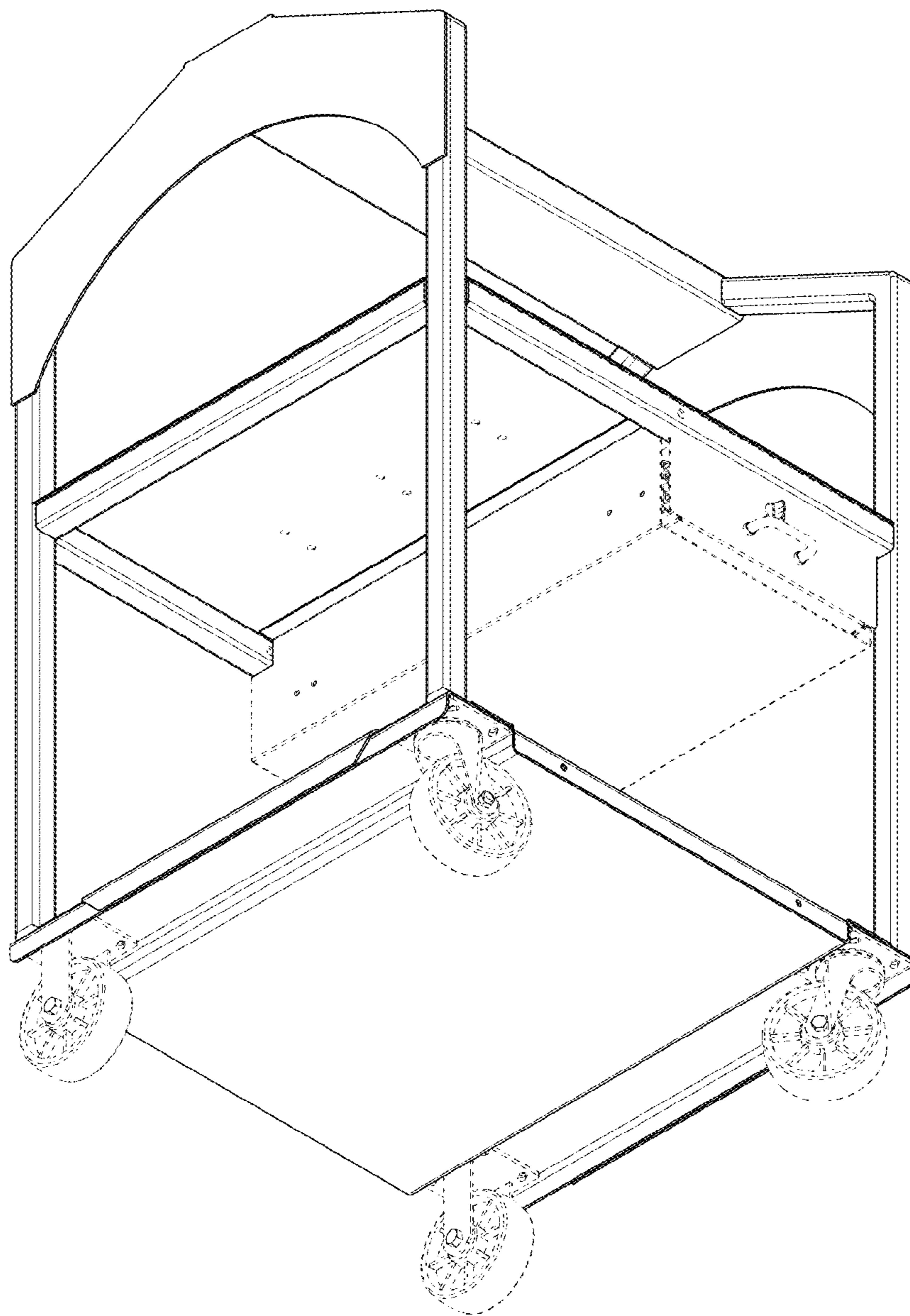


FIG. 2

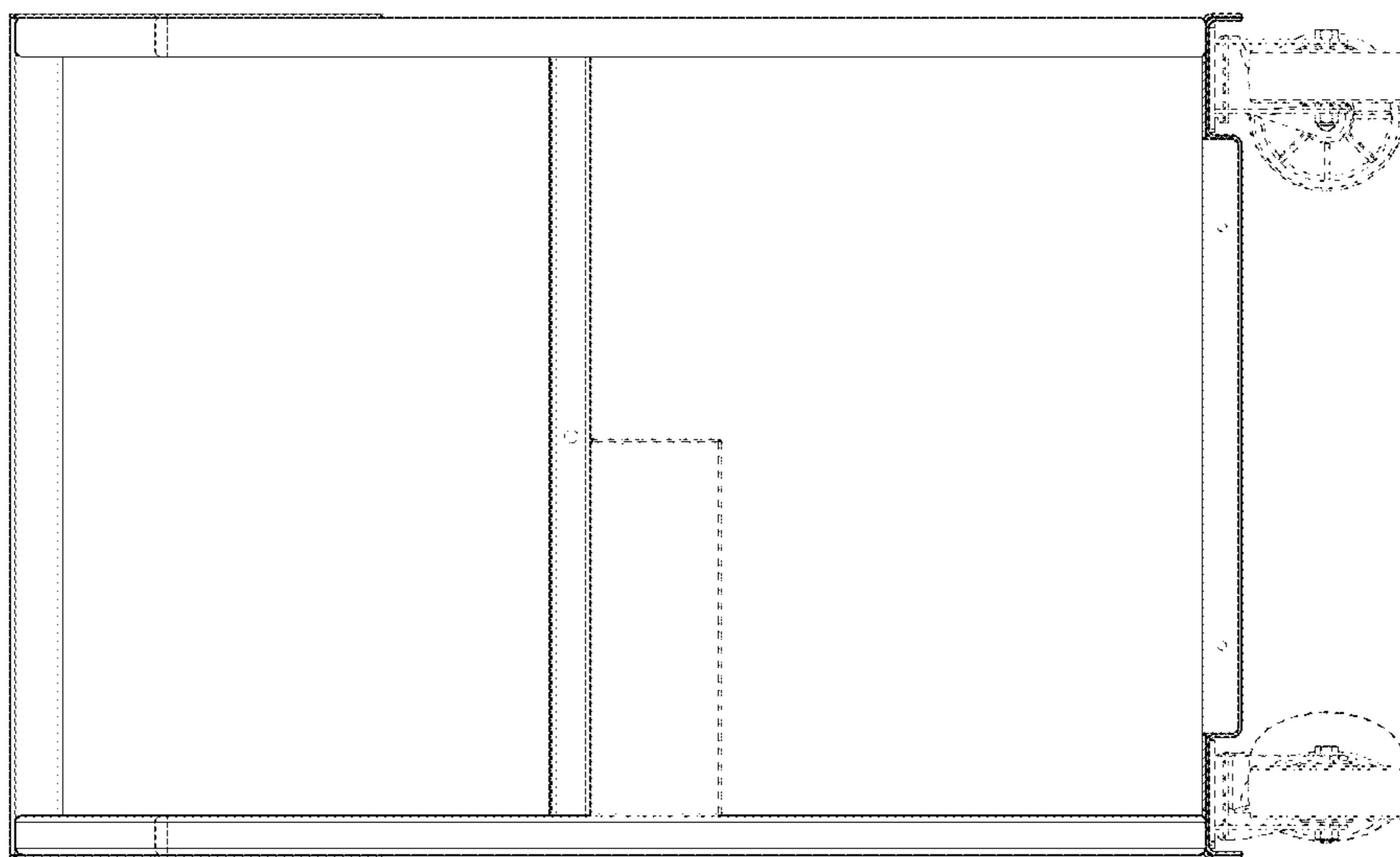


FIG. 4

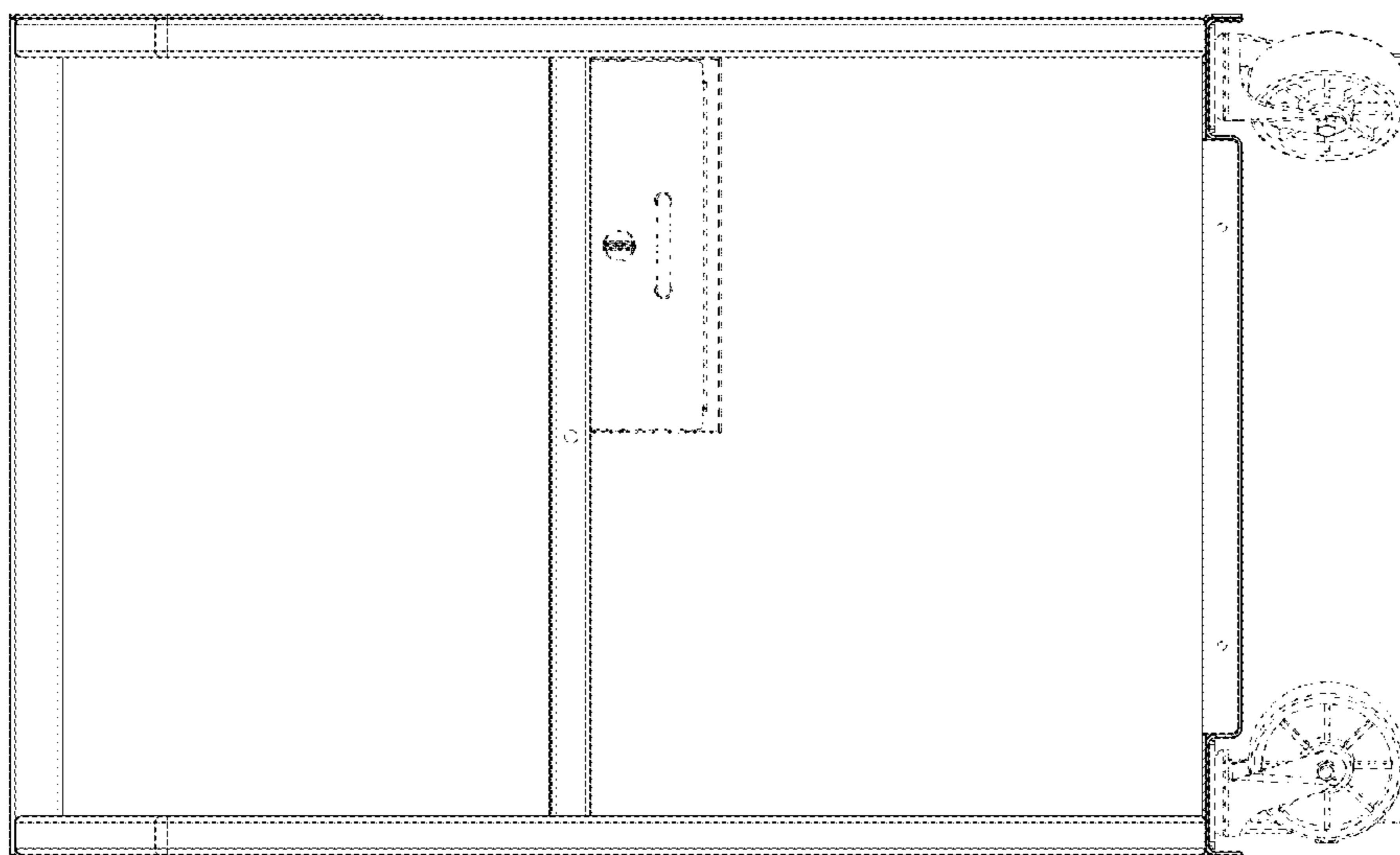


FIG. 3

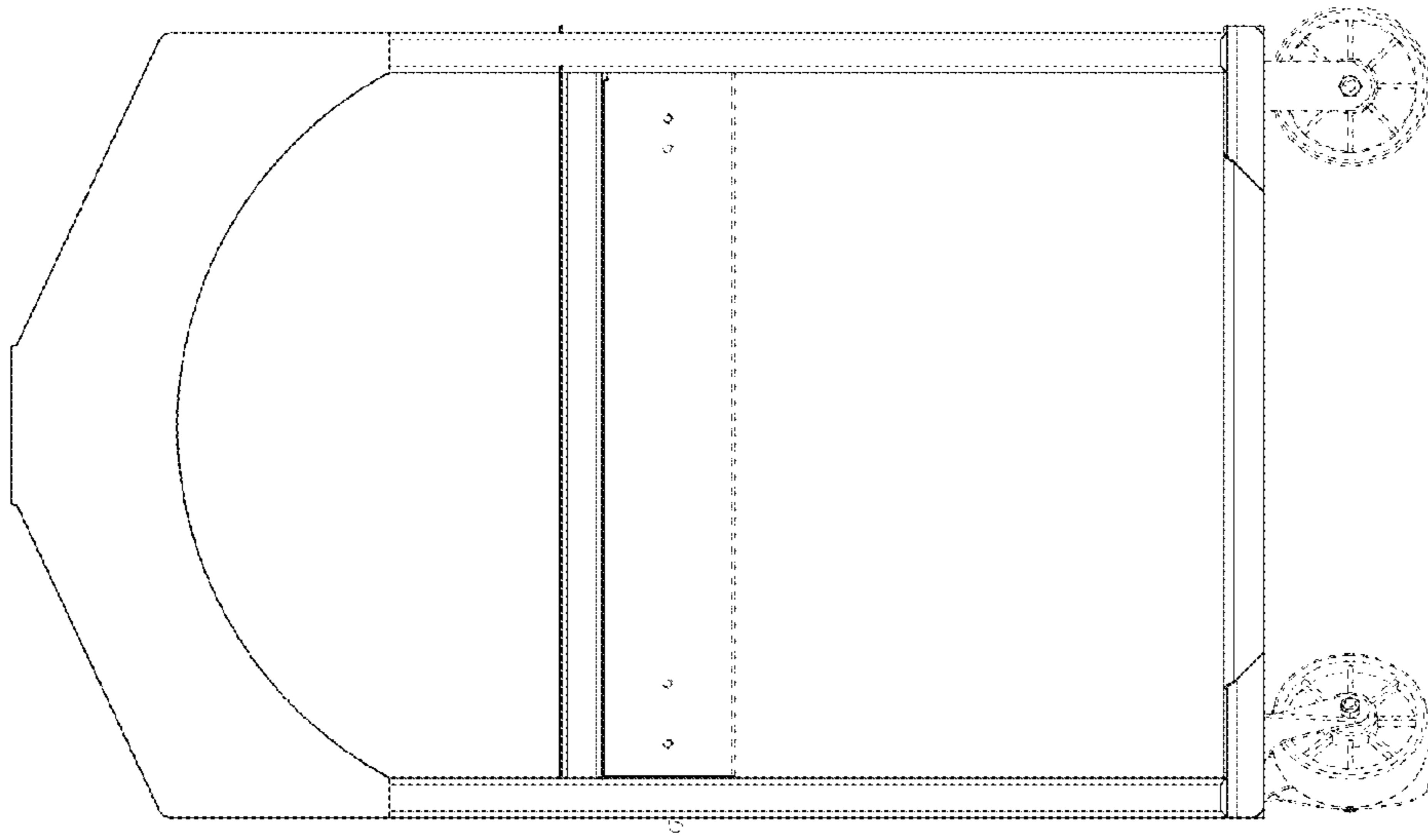


FIG. 6

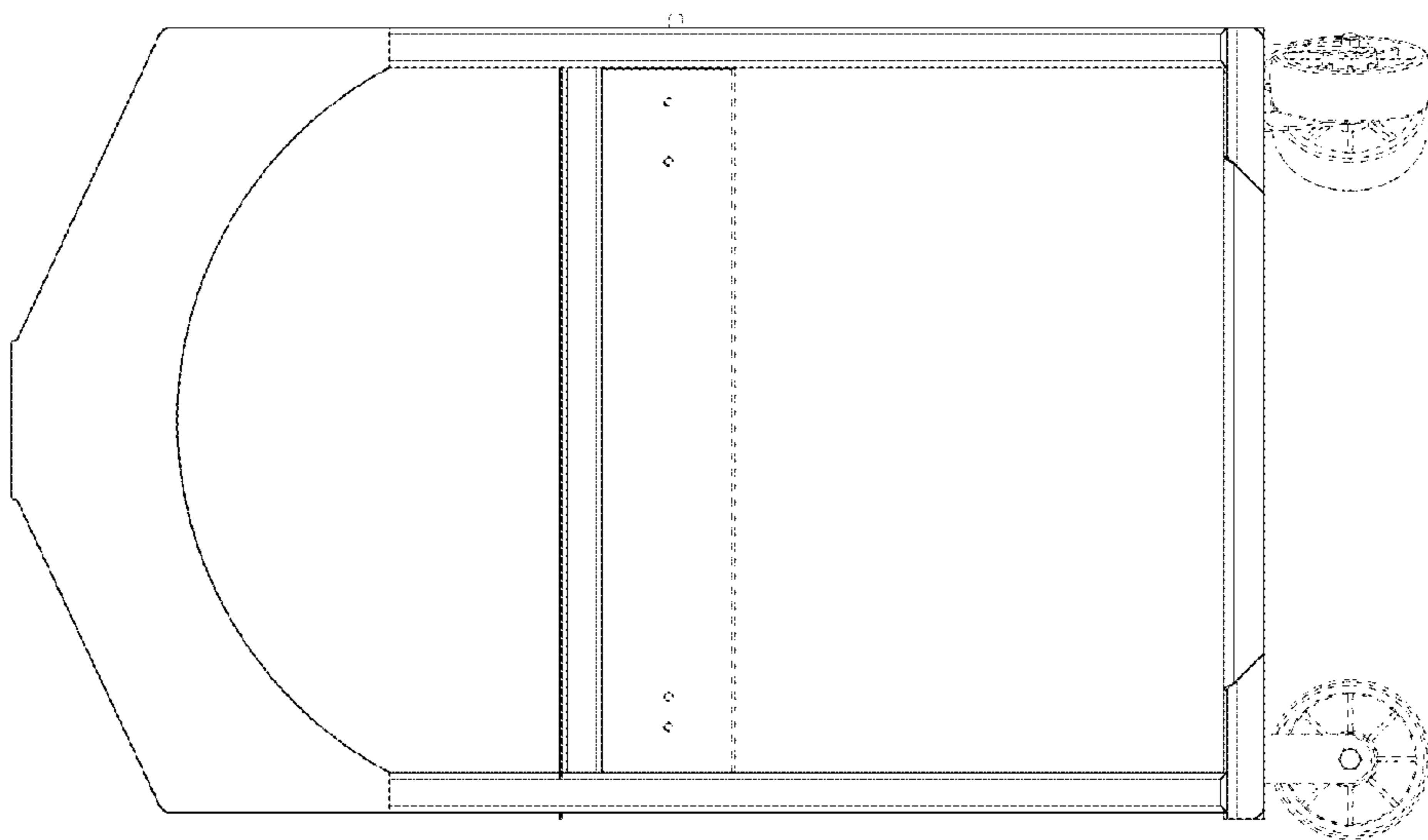


FIG. 5

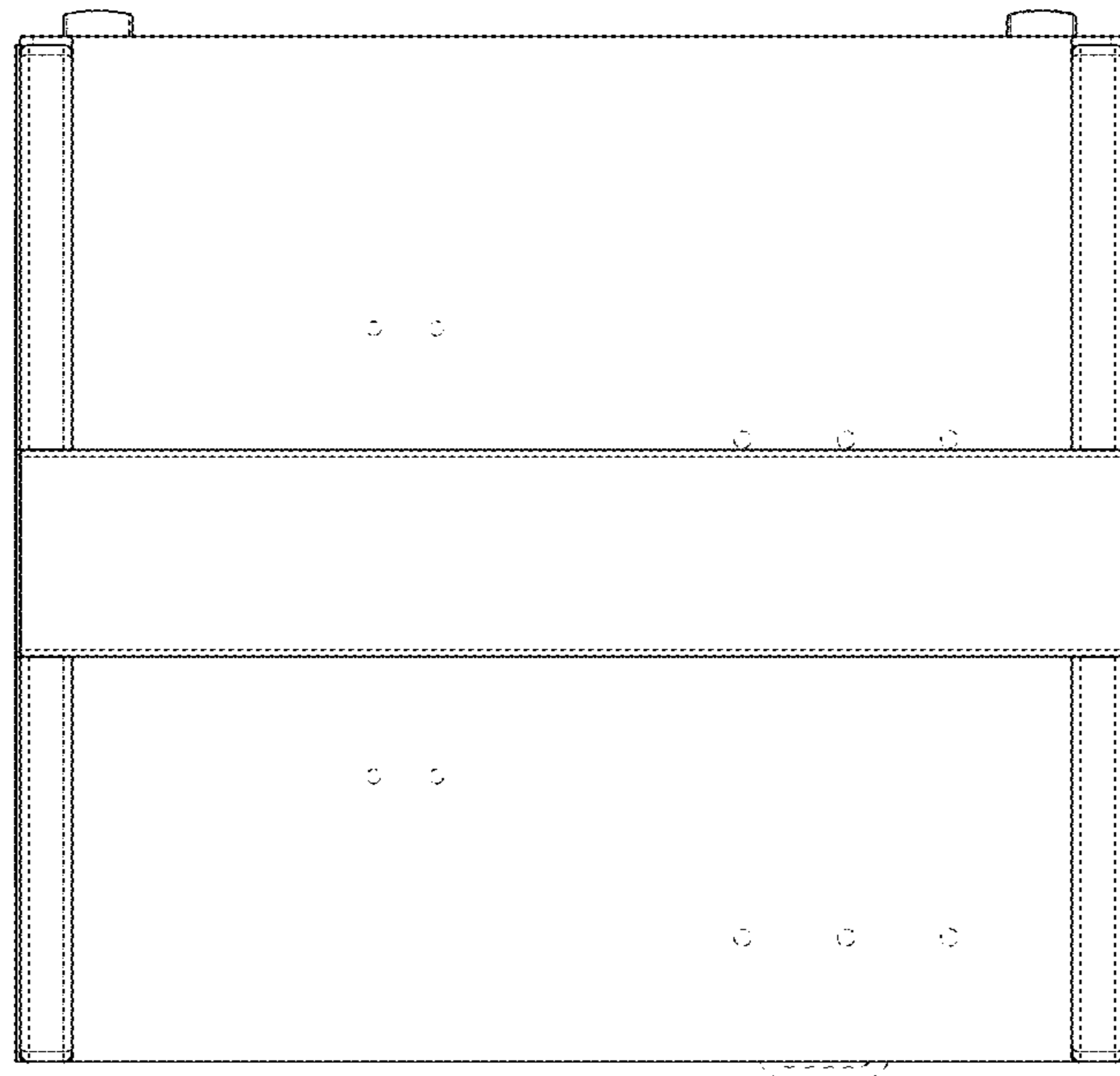


FIG. 7

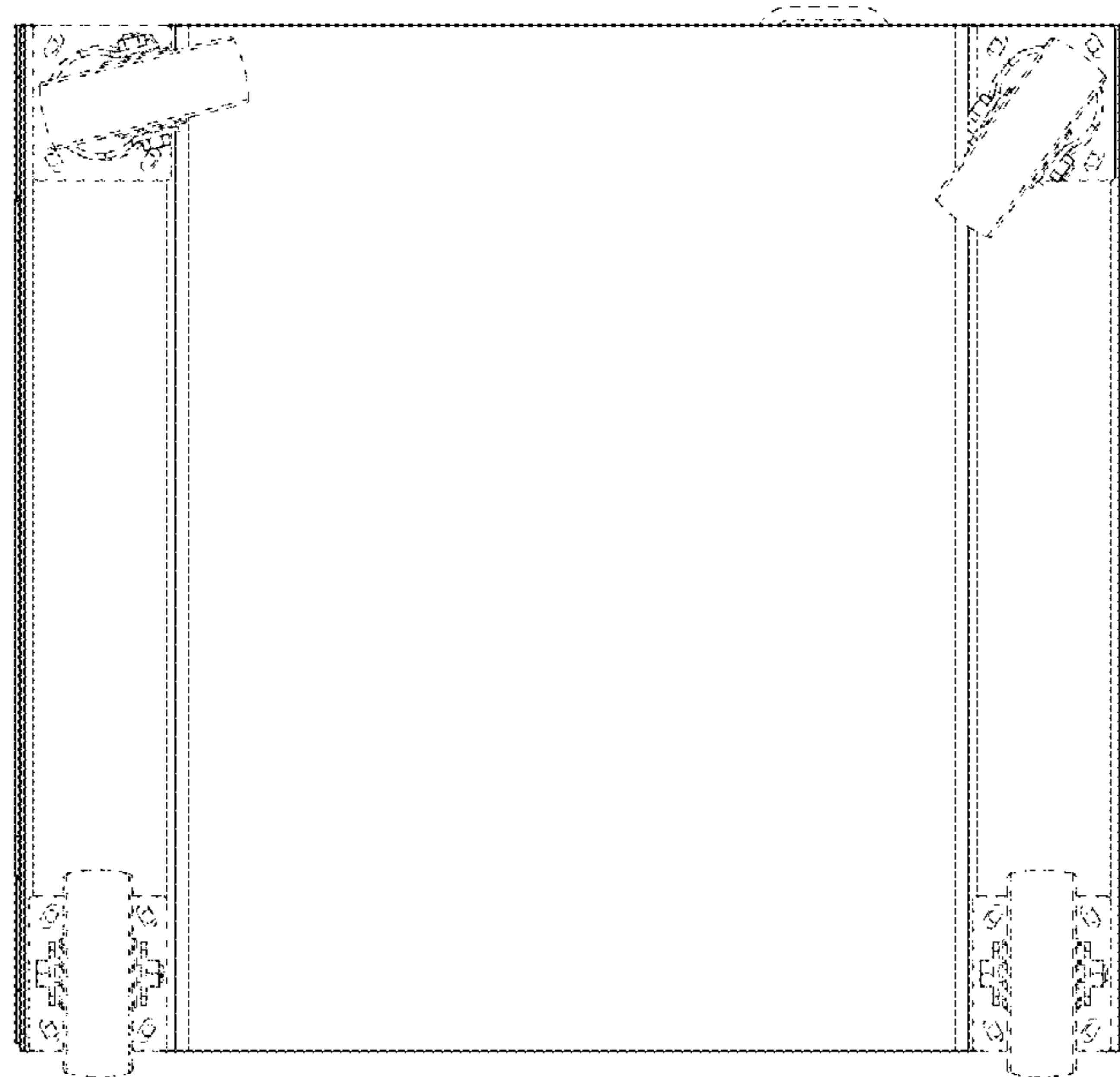


FIG. 8