



US00D730608S

(12) **United States Design Patent**  
**Grif**

(10) **Patent No.:** **US D730,608 S**

(45) **Date of Patent:** **\*\* May 26, 2015**

(54) **FOLDABLE CART**

(71) Applicant: **Iris Grif**, Woodmere, NY (US)

(72) Inventor: **Iris Grif**, Woodmere, NY (US)

(\*\*) Term: **14 Years**

(21) Appl. No.: **29/484,840**

(22) Filed: **Mar. 13, 2014**

(51) **LOC (10) Cl.** ..... **12-02**

(52) **U.S. Cl.**  
USPC ..... **D34/12**

(58) **Field of Classification Search**  
CPC .... B62B 2202/404; B62B 3/02; B62B 3/022;  
B62B 1/045; B62B 1/042  
USPC ..... D34/12-27; 280/5.32, 33.993, 47.371,  
280/641-643, 651, 47.22, 47.16, 47.35,  
280/47.26, 87.021, 650, 30, 647, 47.41,  
280/87.05, 649, 47.4, 648, 47.38, 658, 639,  
280/31, 47.36, 38, 644, 42, 87.041, 250.1,  
280/304.1, 47.34; 297/47, 243, 5; 135/66,  
135/67, 85, 74; D12/129, 133, 130;  
119/496; 482/66, 68

See application file for complete search history.

4,152,010 A \* 5/1979 Kassai ..... 280/650  
4,171,829 A \* 10/1979 Toda ..... 280/649  
4,173,355 A \* 11/1979 Perego ..... 280/642  
4,191,397 A \* 3/1980 Kassai ..... 280/647  
4,266,807 A \* 5/1981 Griffin ..... 280/650  
4,324,410 A \* 4/1982 Perego ..... 280/42  
4,353,577 A \* 10/1982 Giordani ..... 280/642  
4,542,916 A \* 9/1985 Kassai ..... 280/642  
4,648,651 A \* 3/1987 Hawkes ..... 297/45  
4,685,688 A \* 8/1987 Edwards ..... 280/30  
4,762,335 A \* 8/1988 Kassai ..... 280/649  
4,986,564 A \* 1/1991 Liu ..... 280/642  
5,121,940 A \* 6/1992 March ..... 280/644  
5,192,091 A \* 3/1993 Liu ..... 280/644  
5,221,106 A \* 6/1993 Shamie ..... 280/644

(Continued)

*Primary Examiner* — Cynthia Ramirez  
*Assistant Examiner* — Gino Colan  
(74) *Attorney, Agent, or Firm* — Scully, Scott, Murphy & Presser, P.C.

(57) **CLAIM**  
The ornamental design for a foldable cart, as shown.

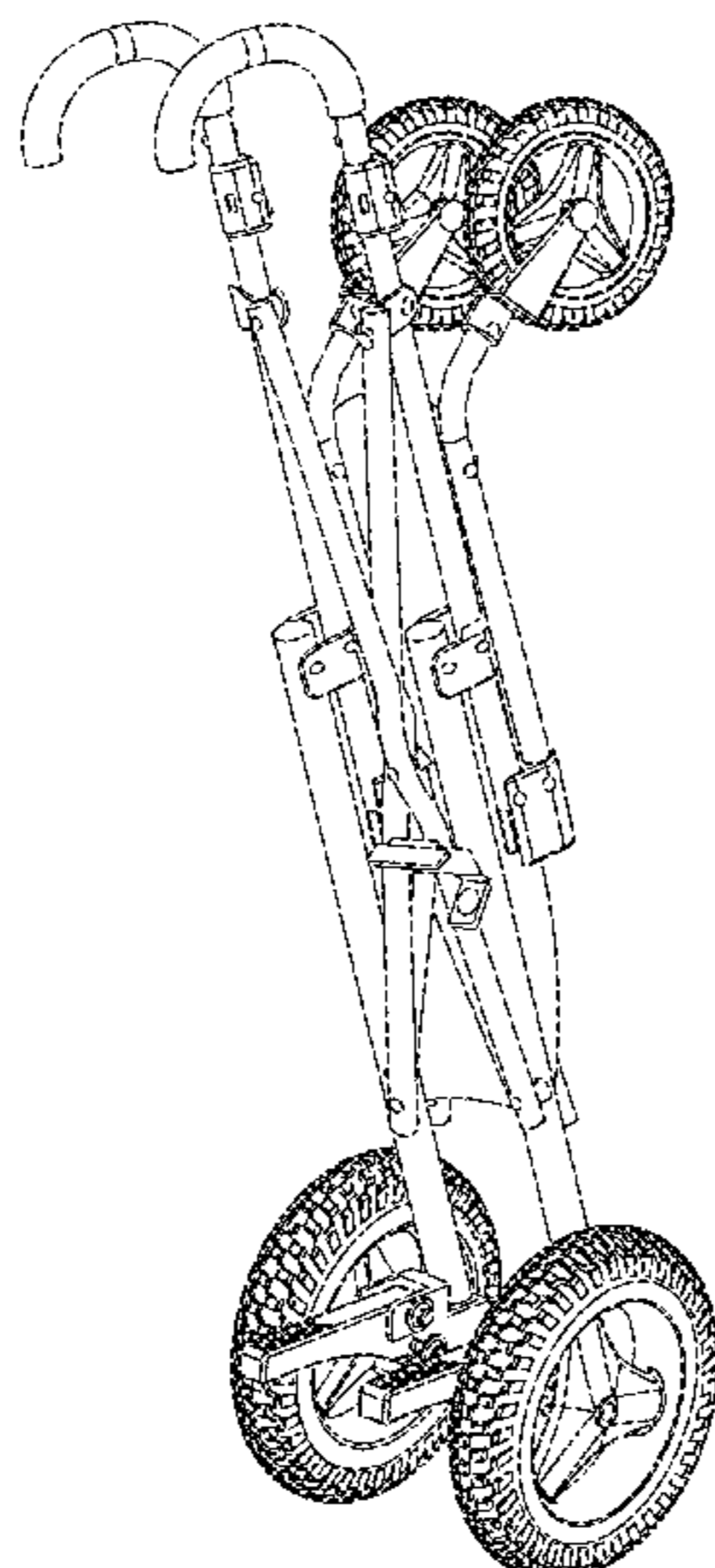
**DESCRIPTION**

FIG. 1 is a perspective view of a foldable cart showing a first embodiment of my new design;  
FIG. 2 is a front elevation view thereof;  
FIG. 3 is a rear elevation view thereof;  
FIG. 4 is a side view thereof;  
FIG. 5 is an opposite side view thereof;  
FIG. 6 is a top view thereof;  
FIG. 7 is a bottom view thereof;  
FIG. 8 is a perspective view of a foldable cart showing a second embodiment of my new design;  
FIG. 9 is a front elevation view of FIG. 8;  
FIG. 10 is a rear elevation view of FIG. 8;  
FIG. 11 is a side view of FIG. 8;  
FIG. 12 is an opposite side view of FIG. 8;  
FIG. 13 is a top view of FIG. 8; and,  
FIG. 14 is a bottom view of FIG. 8.

**1 Claim, 14 Drawing Sheets**

(56) **References Cited**  
U.S. PATENT DOCUMENTS

3,836,164 A \* 9/1974 Sugino et al. .... 280/642  
3,917,302 A \* 11/1975 Gebhard ..... 280/644  
3,995,882 A \* 12/1976 Watkins ..... 280/649  
4,007,947 A \* 2/1977 Perego ..... 280/642  
4,030,769 A \* 6/1977 Peng et al. .... 280/42  
4,049,292 A \* 9/1977 Perego ..... 280/642  
4,062,555 A \* 12/1977 Peng et al. .... 280/42  
4,077,640 A \* 3/1978 Perego ..... 280/42  
4,077,641 A \* 3/1978 Perego ..... 280/42  
4,094,531 A \* 6/1978 Cabagnero ..... 280/649  
4,108,468 A \* 8/1978 Orlanski ..... 280/648  
4,111,454 A \* 9/1978 Kassai ..... 280/649  
4,118,052 A \* 10/1978 Cabagnero ..... 280/642  
4,126,331 A \* 11/1978 Sloan et al. .... 280/650



(56)

References Cited

U.S. PATENT DOCUMENTS

5,622,376	A *	4/1997	Shamie	280/642	8,388,015	B2	3/2013	Chen	
5,634,654	A *	6/1997	Lin	280/649	8,414,012	B2 *	4/2013	Chen et al.	280/648
5,755,455	A *	5/1998	Chen et al.	280/642	8,439,376	B2 *	5/2013	Willis et al.	280/87.021
5,845,925	A *	12/1998	Huang	280/642	8,444,170	B2 *	5/2013	Chen et al.	280/642
5,938,230	A	8/1999	Huang et al.		8,740,243	B2 *	6/2014	Li	280/642
6,152,476	A	11/2000	Huang		2002/0171227	A1 *	11/2002	Eguchi et al.	280/650
6,196,562	B1 *	3/2001	Zhuang	280/47.38	2004/0104559	A1 *	6/2004	Chen et al.	280/642
6,378,883	B1	4/2002	Epstein		2004/0145157	A1 *	7/2004	Guo	280/642
6,386,575	B1 *	5/2002	Turner	280/647	2005/0082792	A1 *	4/2005	Gordon et al.	280/647
6,422,586	B1 *	7/2002	Glover	280/647	2005/0167952	A1 *	8/2005	Lin	280/650
6,843,499	B2 *	1/2005	Guo	280/642	2006/0131841	A1 *	6/2006	Huang	280/647
6,938,300	B2 *	9/2005	Lan	16/18 R	2006/0237948	A1 *	10/2006	You et al.	280/642
7,017,936	B2 *	3/2006	Huang	280/642	2008/0073879	A1 *	3/2008	Chen et al.	280/642
7,066,484	B2	6/2006	Willis et al.		2008/0093825	A1 *	4/2008	Yang	280/647
7,121,563	B1 *	10/2006	Liao	280/47.22	2008/0217966	A1 *	9/2008	Cone	297/47
D572,632	S	7/2008	Willis		2009/0008907	A1 *	1/2009	Huang	280/642
7,481,445	B1	1/2009	Danziger		2009/0160162	A1 *	6/2009	Bizzell et al.	280/642
7,527,284	B2	5/2009	Nores		2009/0278335	A1 *	11/2009	Dotsey	280/647
7,862,069	B2	1/2011	King		2010/0123298	A1 *	5/2010	Huang	280/647
7,900,952	B2 *	3/2011	Cone, II	280/650	2011/0049842	A1 *	3/2011	Cheng	280/649
7,918,467	B2 *	4/2011	Cheng	280/38	2011/0062681	A1 *	3/2011	Tsai	280/642
8,104,788	B2 *	1/2012	Cone, II	280/650	2011/0175305	A1 *	7/2011	Chen et al.	280/30
8,113,534	B2 *	2/2012	Cheng	280/649	2012/0013090	A1	1/2012	Musi	
8,167,332	B2 *	5/2012	Lin	280/642	2012/0025491	A1 *	2/2012	Li	280/642
8,186,706	B2 *	5/2012	Dotsey	280/647	2012/0025493	A1 *	2/2012	Song et al.	280/647
8,191,919	B2 *	6/2012	Wang	280/649	2012/0049485	A1 *	3/2012	Lin	280/647
8,240,698	B2 *	8/2012	Tsai	280/647	2012/0074671	A1 *	3/2012	Chen et al.	280/642
8,371,606	B2 *	2/2013	Gower et al.	280/642	2012/0286497	A1 *	11/2012	Tsai	280/647
					2013/0113186	A1 *	5/2013	Rembisz et al.	280/647
					2014/0035261	A1 *	2/2014	Rembisz et al.	280/650
					2014/0091560	A1 *	4/2014	LI et al.	280/649

\* cited by examiner



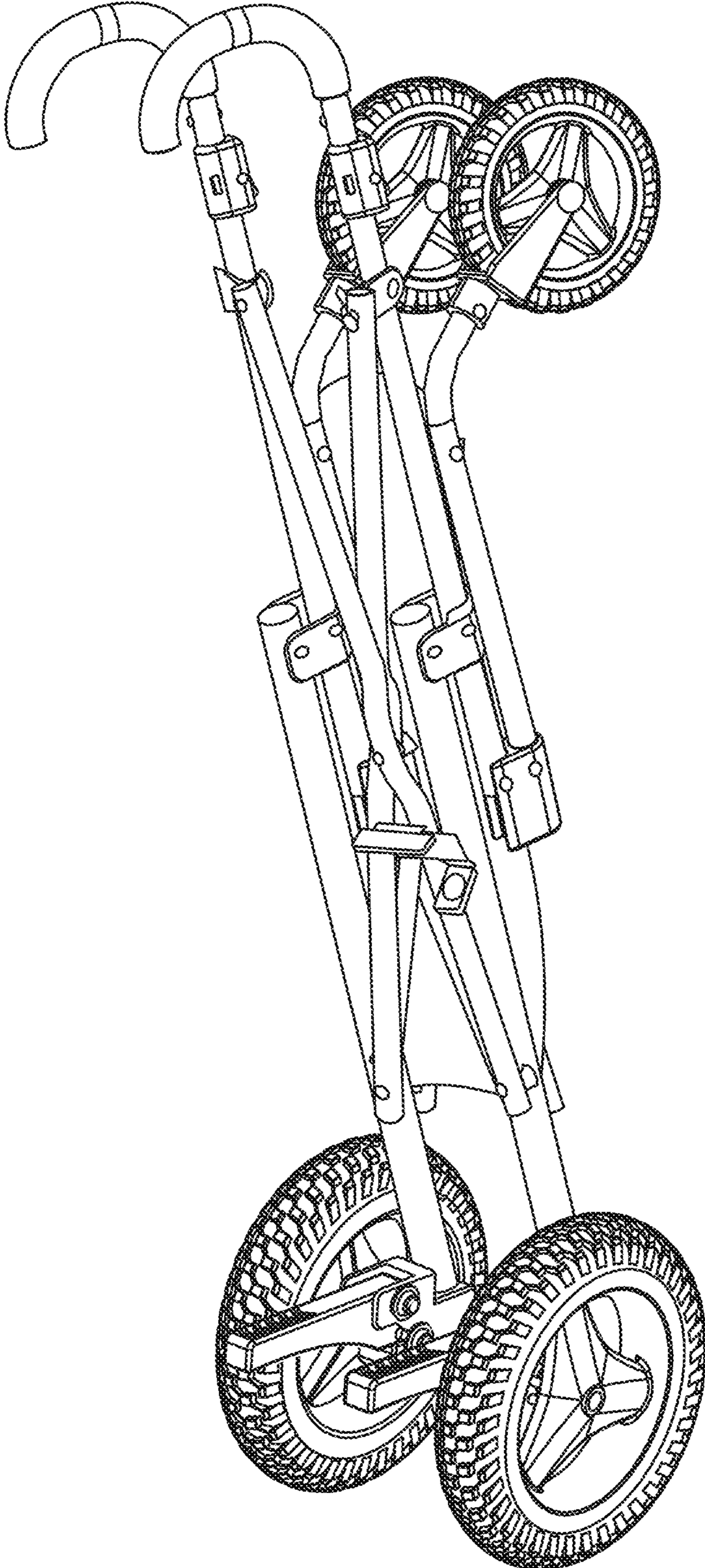


FIG. 1

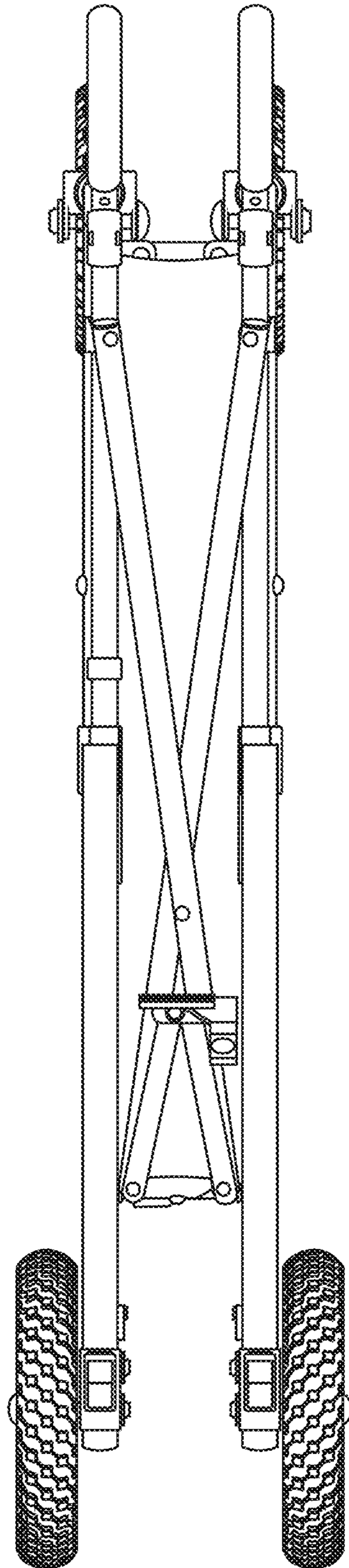


FIG. 2

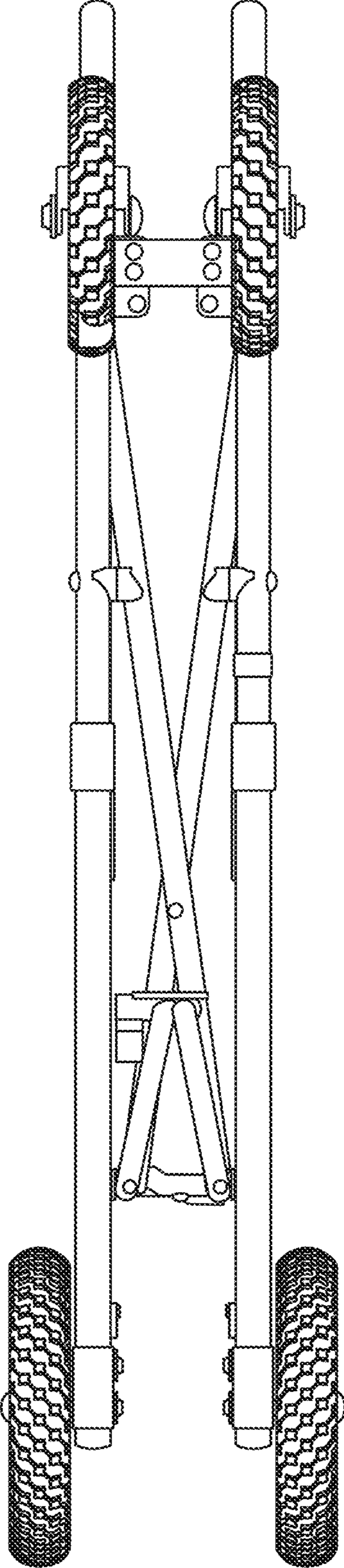


FIG. 3

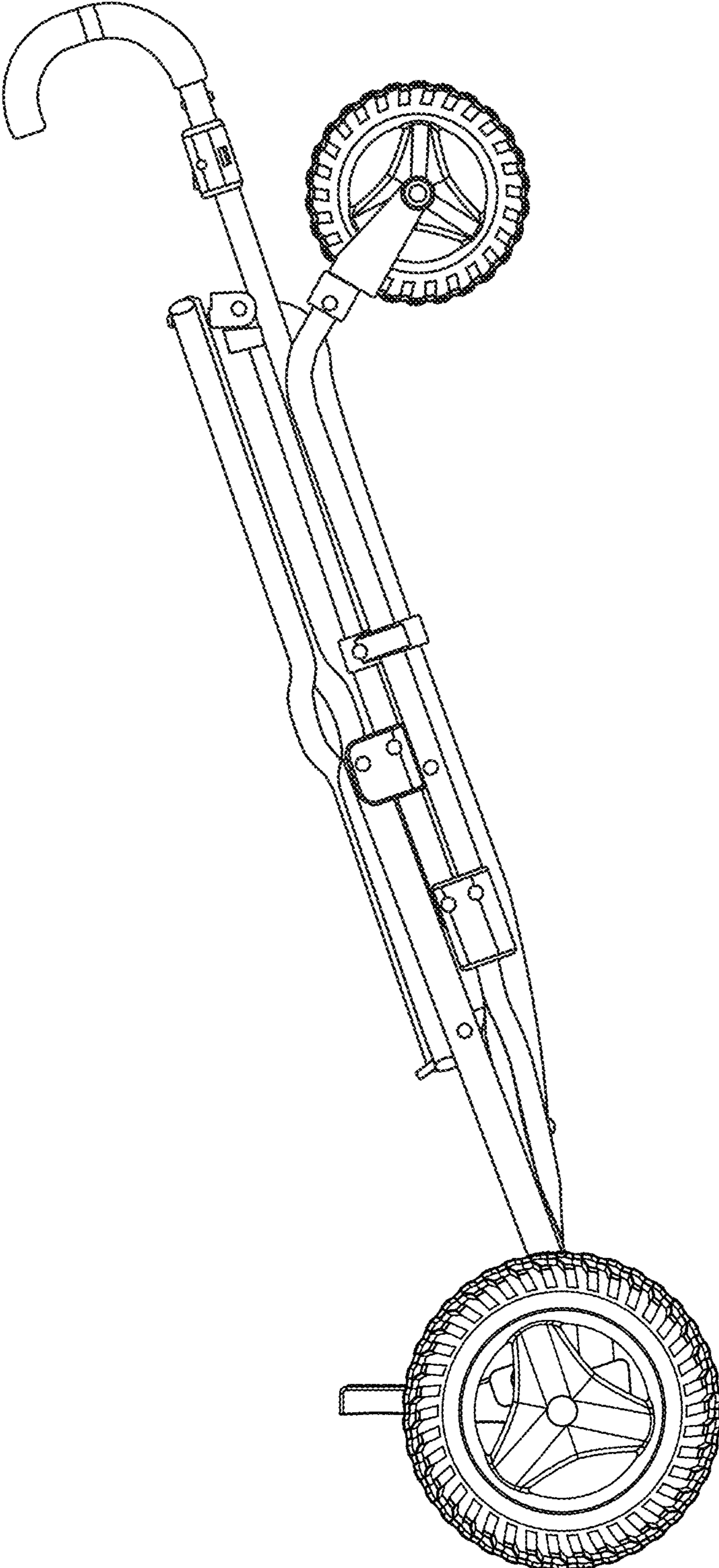


FIG. 4



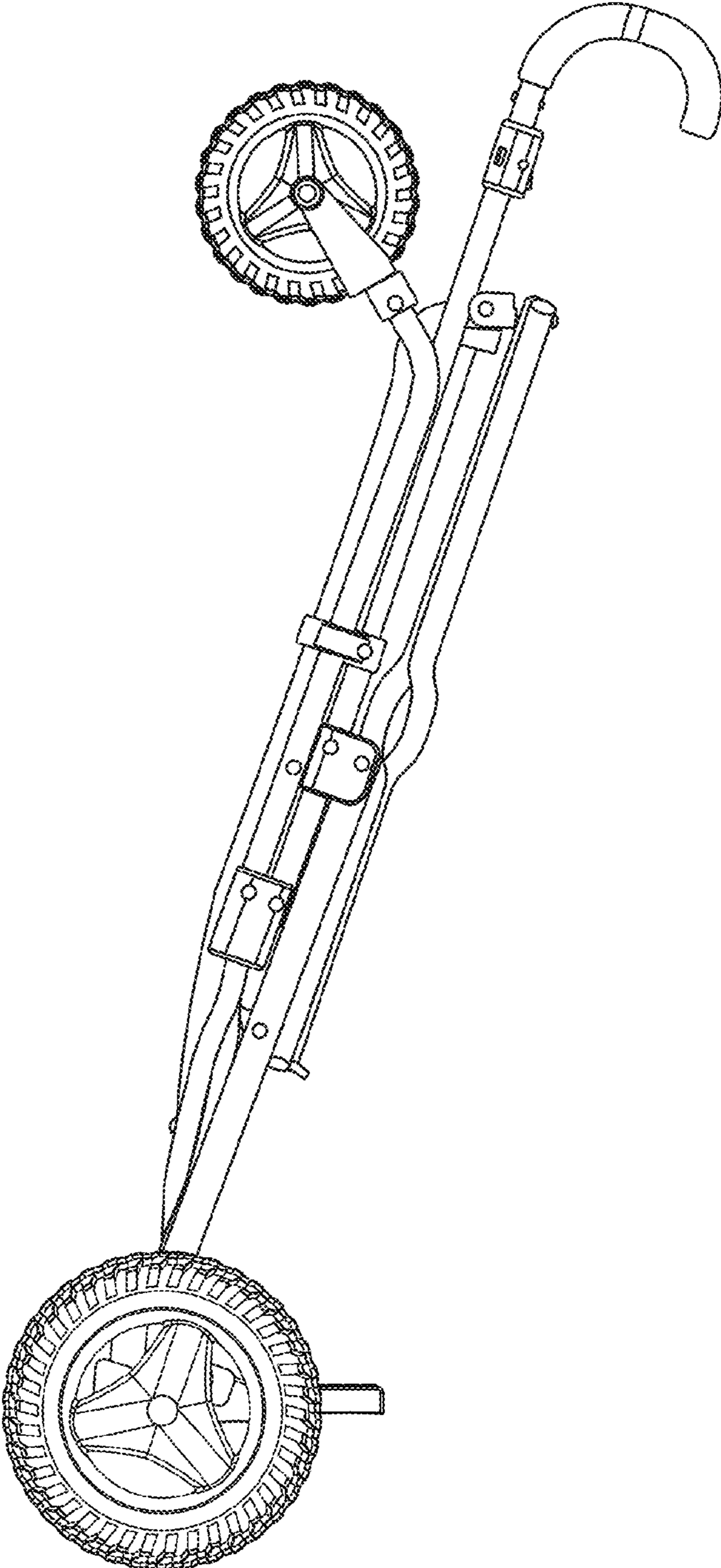


FIG. 5

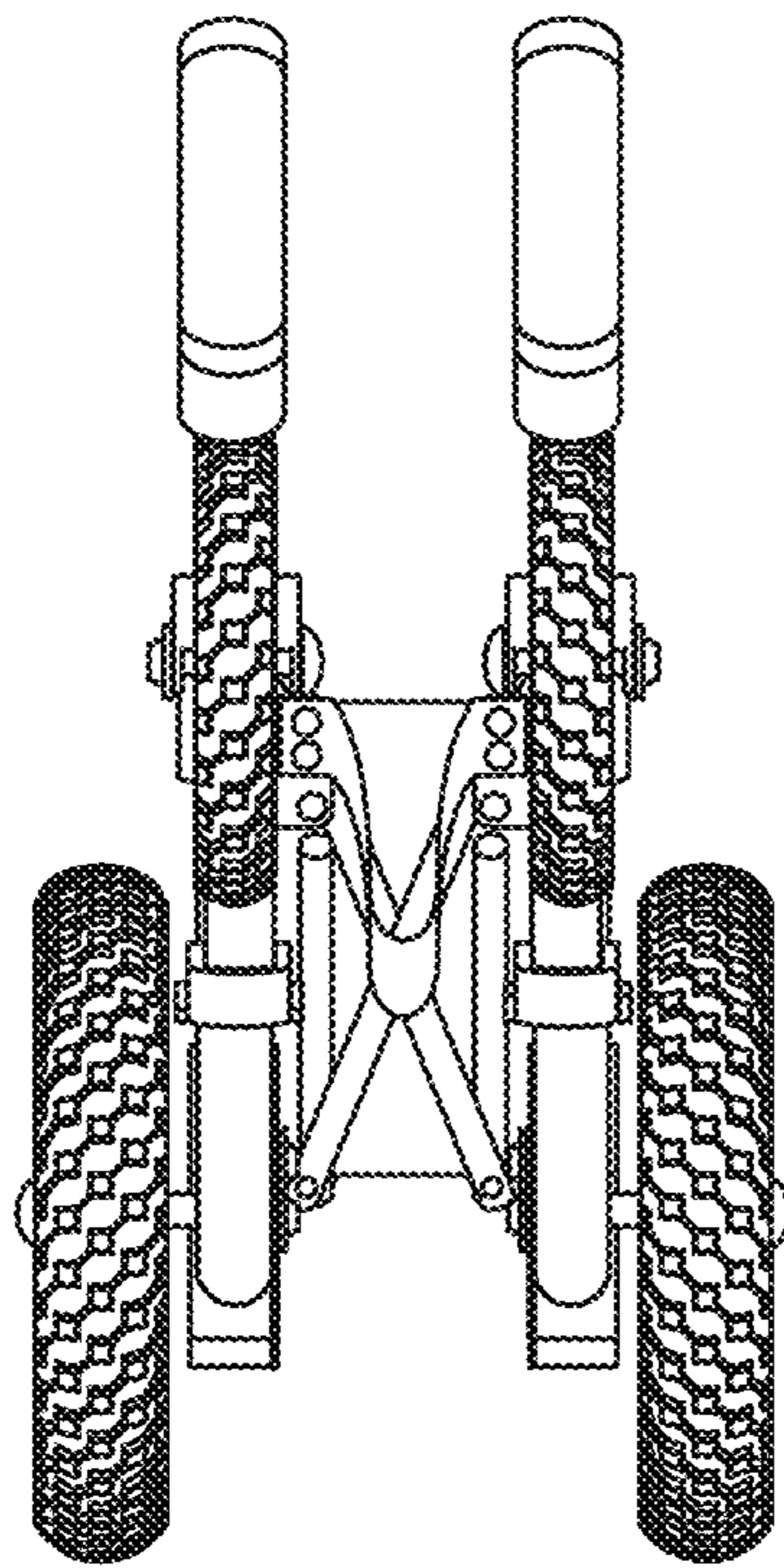


FIG. 6



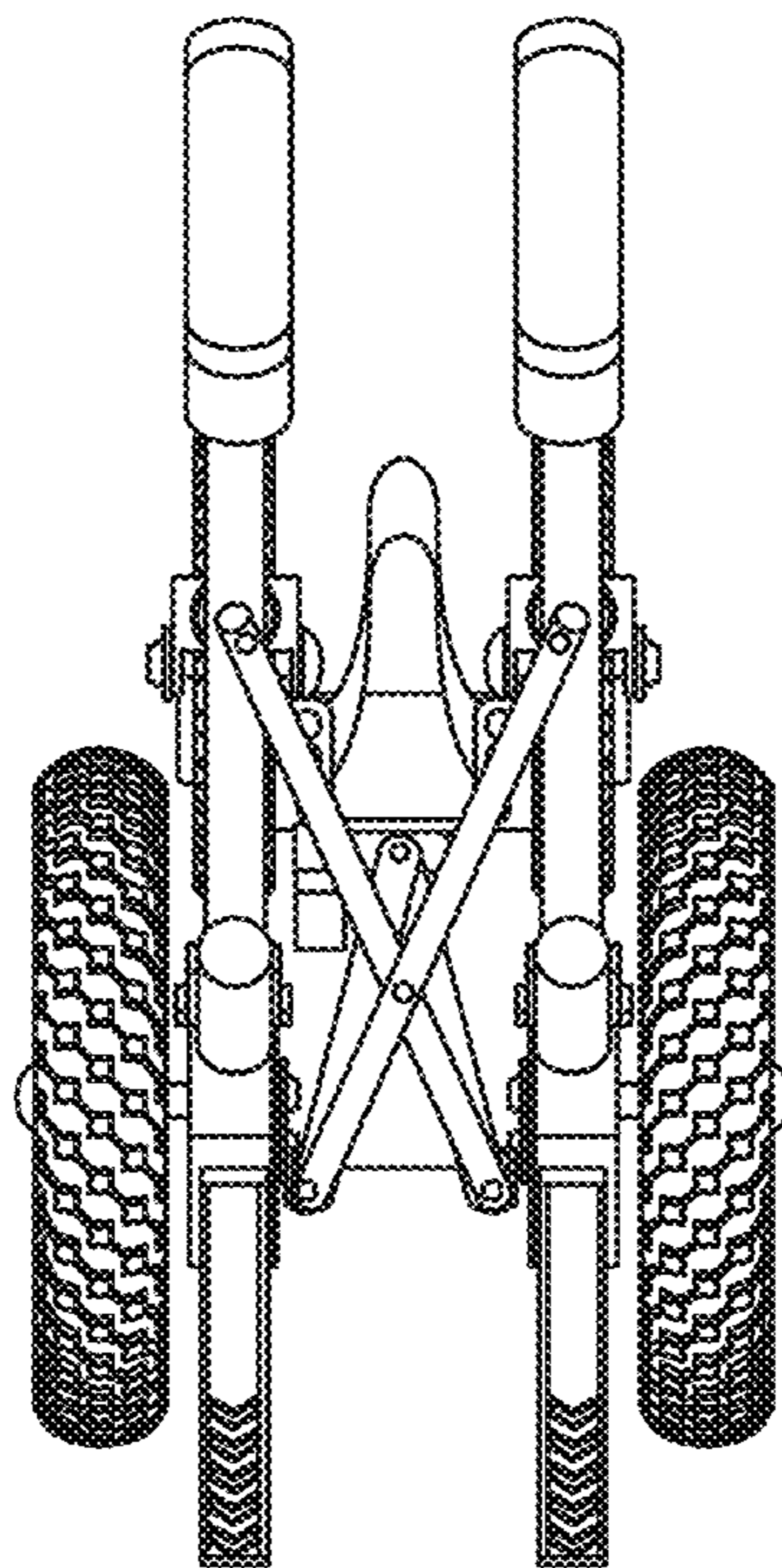


FIG. 7

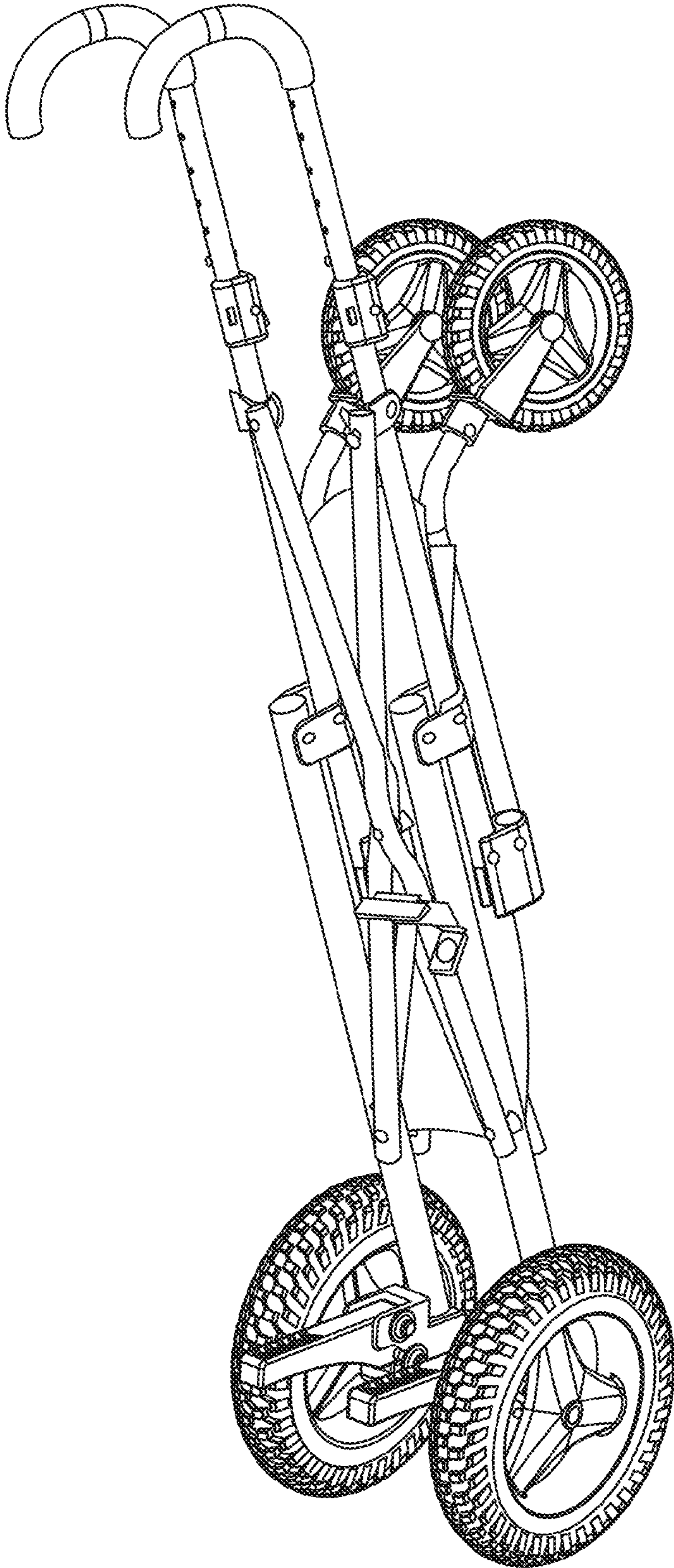


FIG. 8

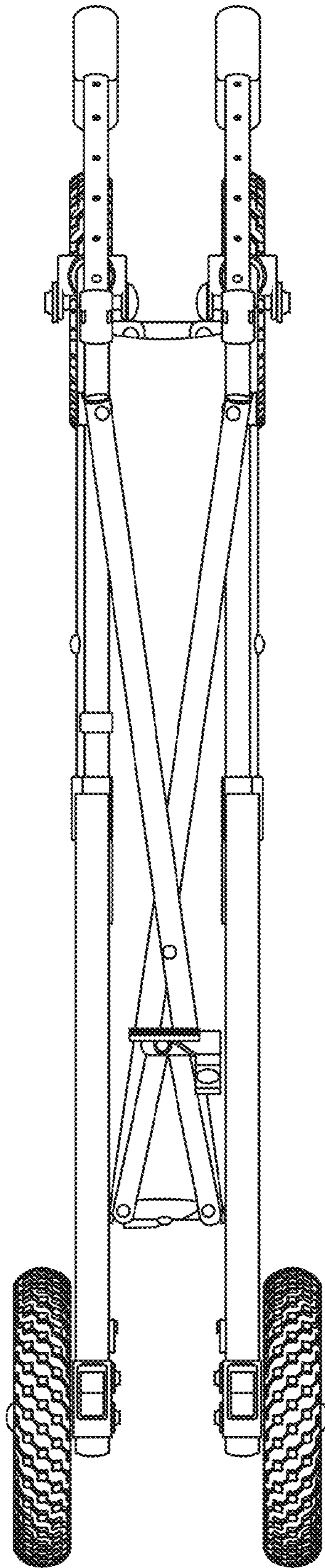


FIG. 9



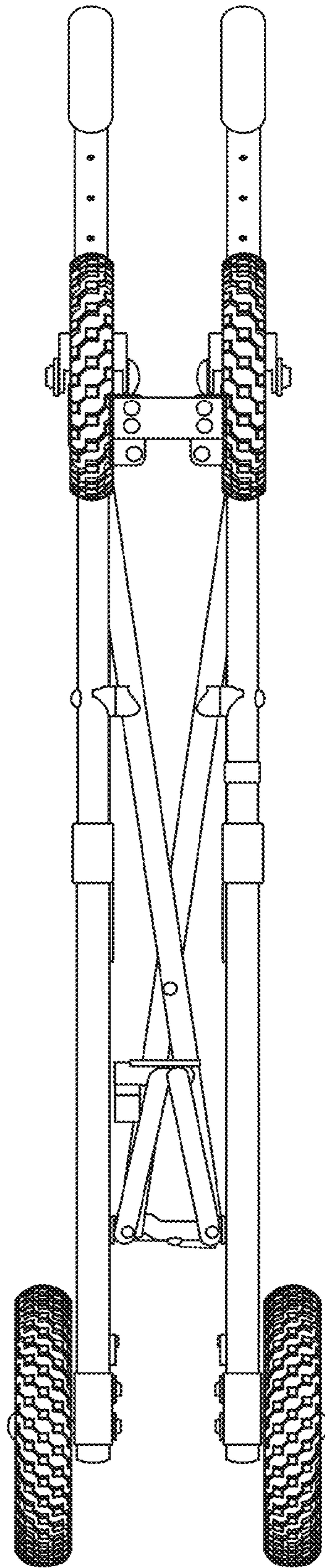


FIG. 10

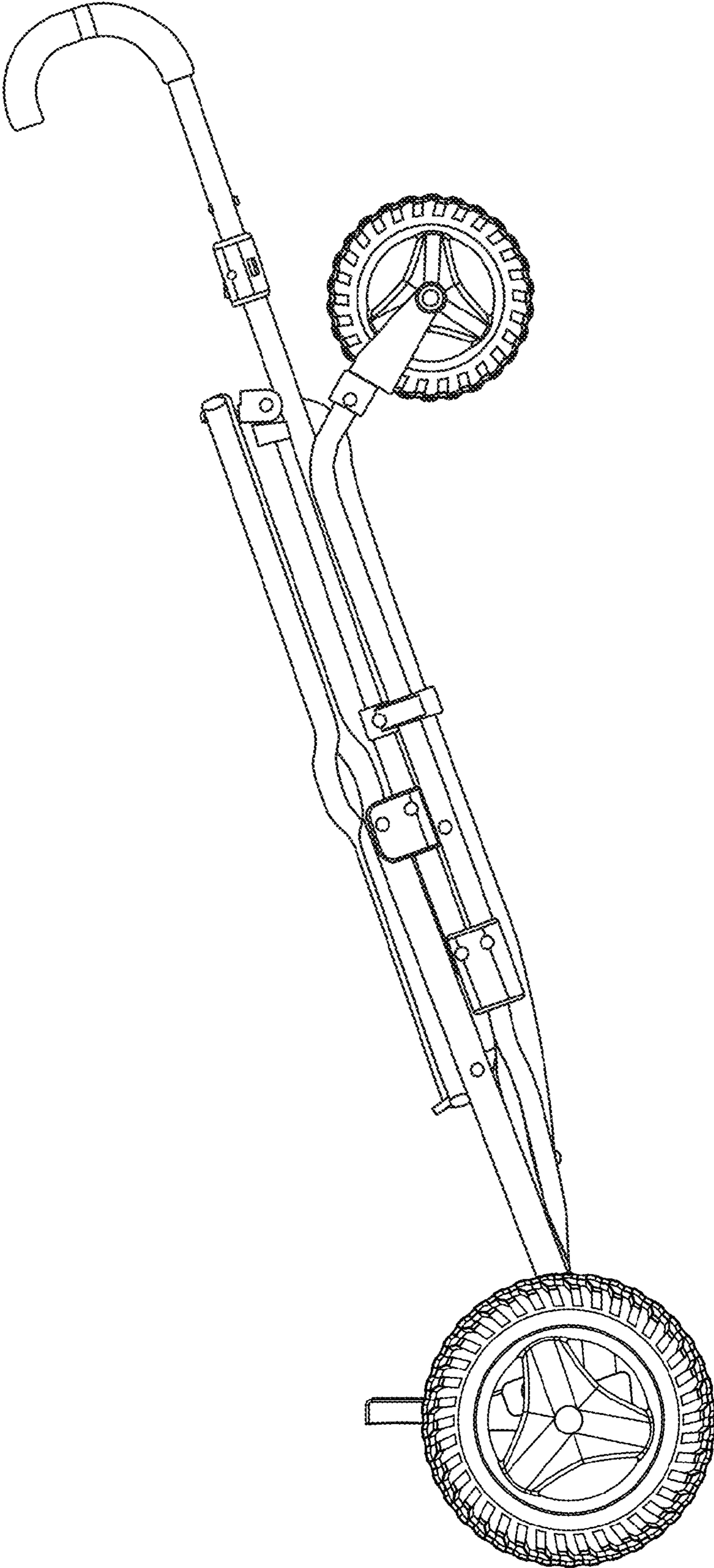


FIG. 11

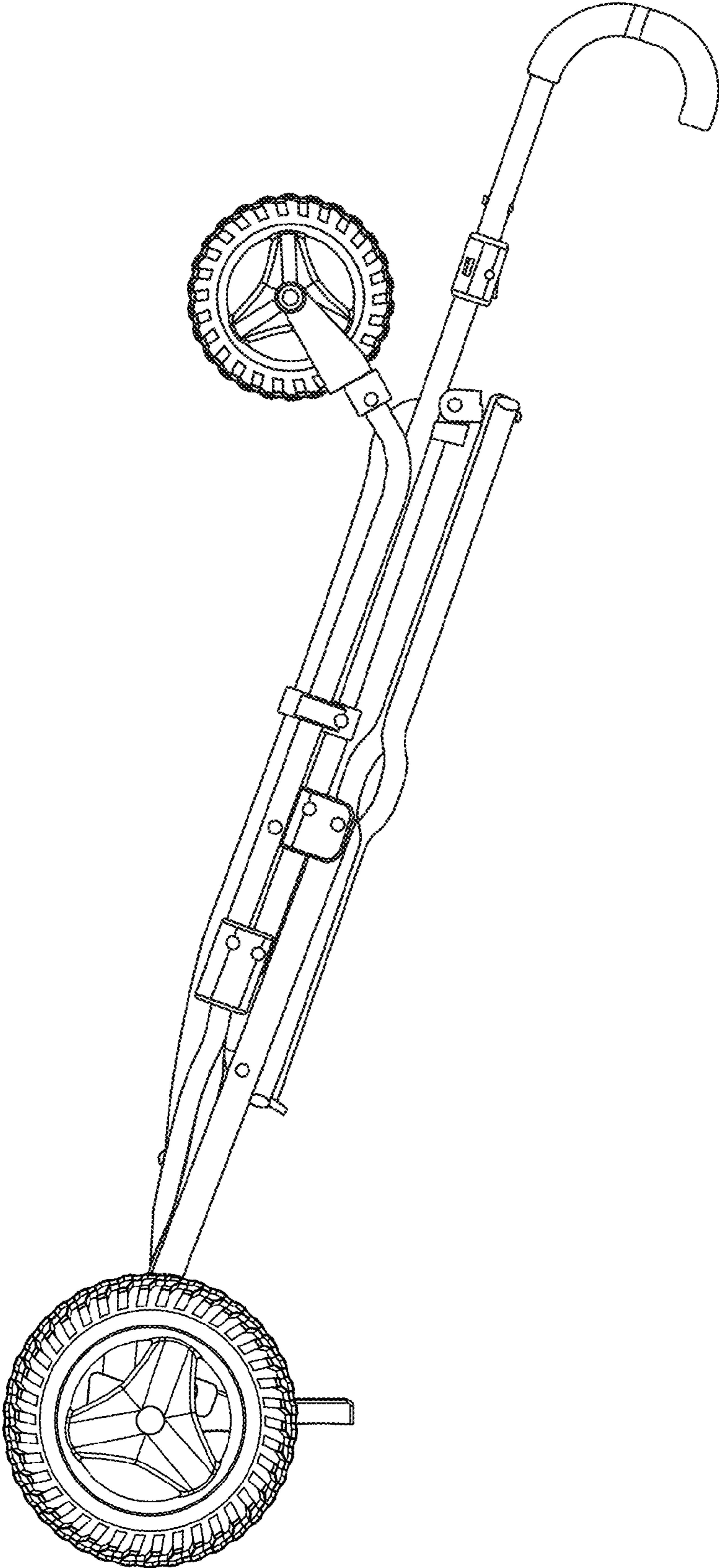


FIG. 12



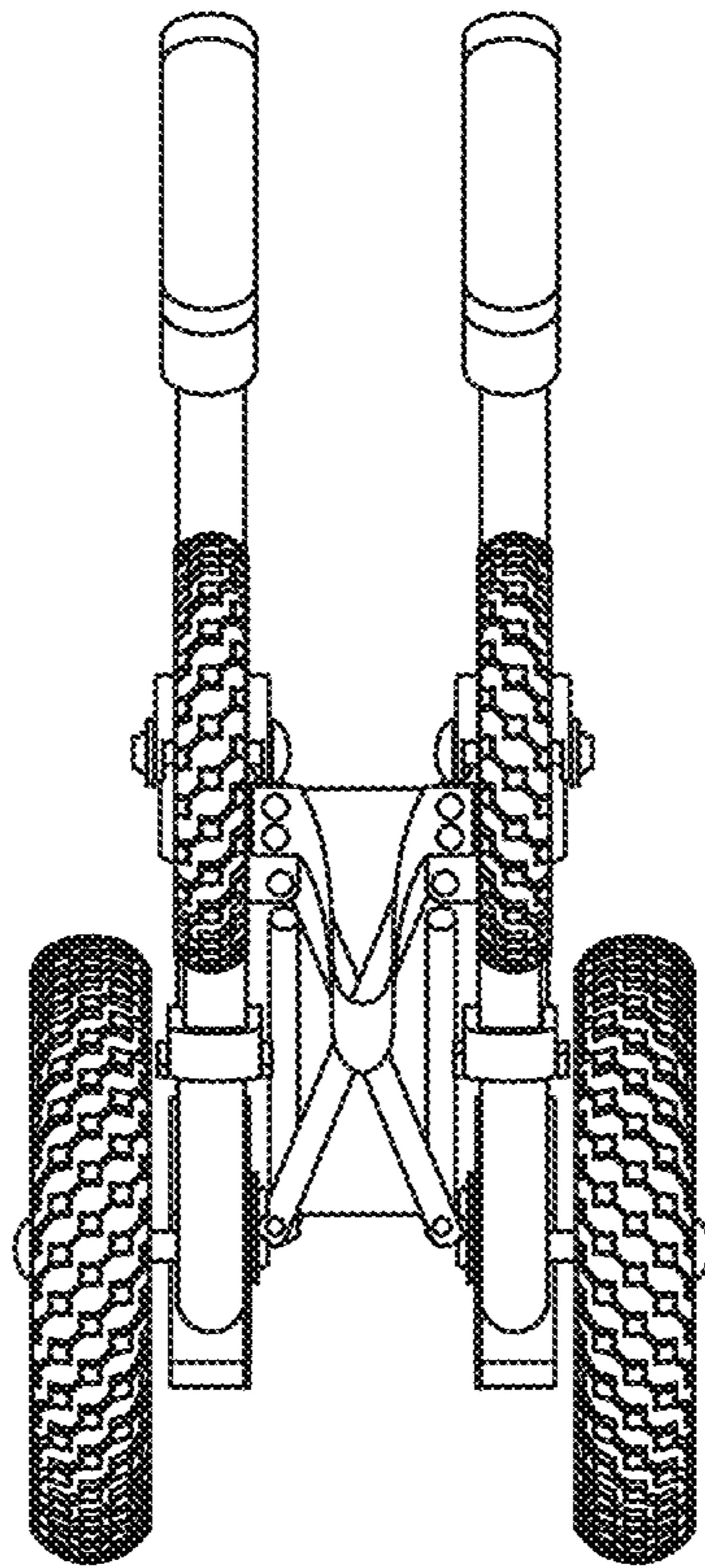


FIG. 13

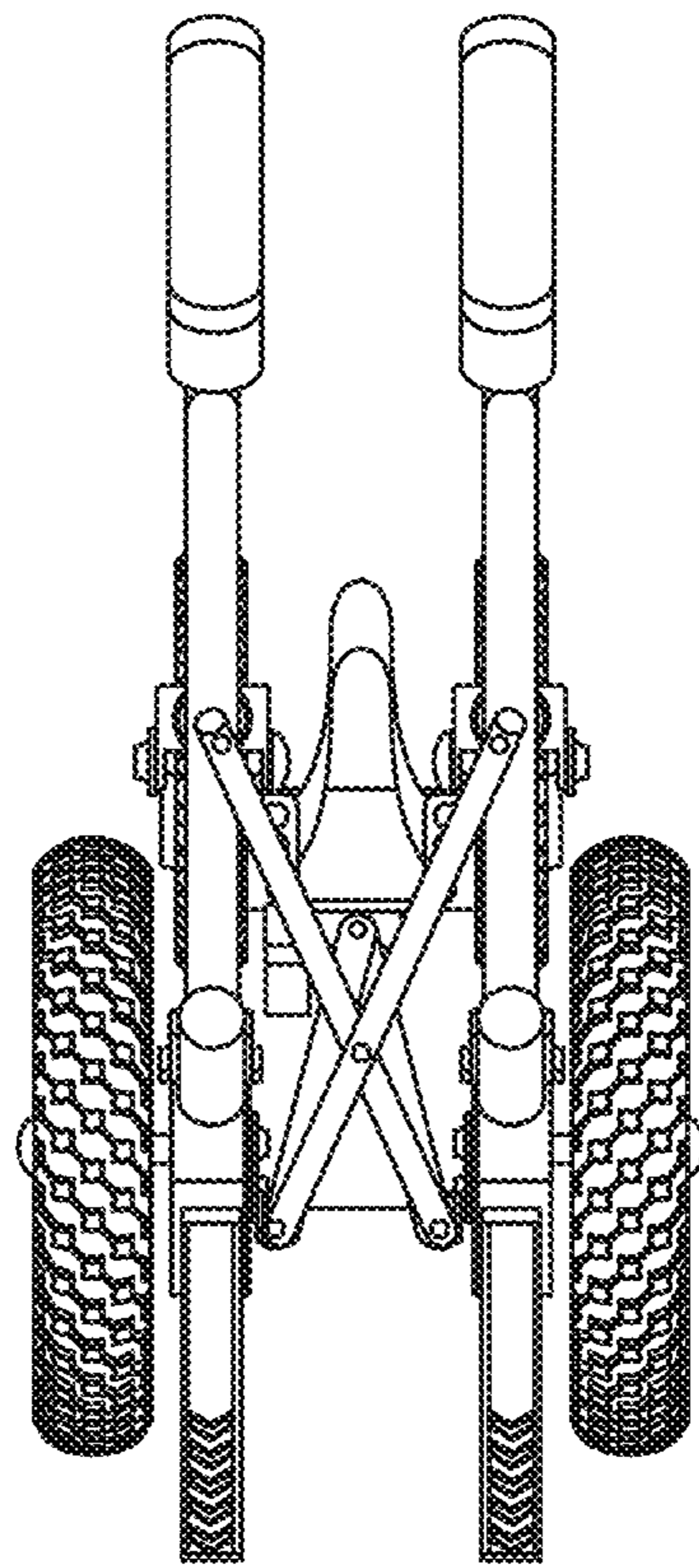


FIG. 14