

US00D730607S

(12) **United States Design Patent**
Compton

(10) **Patent No.:** **US D730,607 S**

(45) **Date of Patent:** **** May 26, 2015**

- (54) **SPITTOON**
- (71) Applicant: **D. J. Novelties Inc.**, Rancho Cucamonga, CA (US)
- (72) Inventor: **Darcy Compton**, Corona, CA (US)
- (**) Term: **14 Years**
- (21) Appl. No.: **29/492,052**
- (22) Filed: **May 28, 2014**
- (51) **LOC (10) Cl.** **09-09**
- (52) **U.S. Cl.**
USPC **D34/2**
- (58) **Field of Classification Search**
CPC A61J 19/00; A61J 19/02; A61J 19/04;
A61J 2205/20; A61C 17/14
USPC D34/2; D7/700, 607, 701, 510, 514,
D7/509, 515, 536; 4/267, 258, 283, 285,
4/59, 274, 271, 261; D15/150; 141/331,
141/98; 215/384; D23/207, 200; D24/112;
433/91; D9/447; D27/187, 148;
220/326, 771, 87.1, 495.03, 375,
220/254.8, 255, 758; 206/524.1; 131/236;
248/346.11; 16/425; 219/432, 433, 689
See application file for complete search history.

- D309,241 S * 7/1990 Ayyoubi et al. D23/200
- 5,140,711 A * 8/1992 Johnson 4/258
- D340,468 S * 10/1993 Pollak et al. D15/150
- D341,147 S * 11/1993 Pollak D15/150
- 5,325,546 A * 7/1994 Setliff 4/267
- D376,608 S * 12/1996 Africano D15/150
- D397,002 S * 8/1998 Smith D7/700
- D434,511 S * 11/2000 Parker D26/9
- 6,305,033 B1 * 10/2001 Azzam 4/274
- 6,539,991 B1 * 4/2003 Ackerman 141/331
- D488,672 S * 4/2004 Oas D7/507
- D560,105 S * 1/2008 McKenzie D7/700
- D584,378 S * 1/2009 Wilson D23/207
- D586,182 S * 2/2009 Trombly D7/510
- D593,365 S * 6/2009 Miller et al. D7/510
- 7,739,755 B2 * 6/2010 Taras 4/271
- D646,531 S * 10/2011 Murphy D7/700
- D649,844 S * 12/2011 Bittner D7/700
- D660,081 S * 5/2012 Gilbert D7/509
- D662,361 S * 6/2012 Eyal D7/510
- 8,348,110 B1 * 1/2013 Whynot et al. 224/282
- D690,161 S * 9/2013 Garner D7/510

(Continued)

Primary Examiner — Cynthia Ramirez

Assistant Examiner — Gino Colan

(74) *Attorney, Agent, or Firm* — The Law Office of Austin Bonderer, PC

(57) **CLAIM**

The ornamental design for a spittoon, as shown and described.

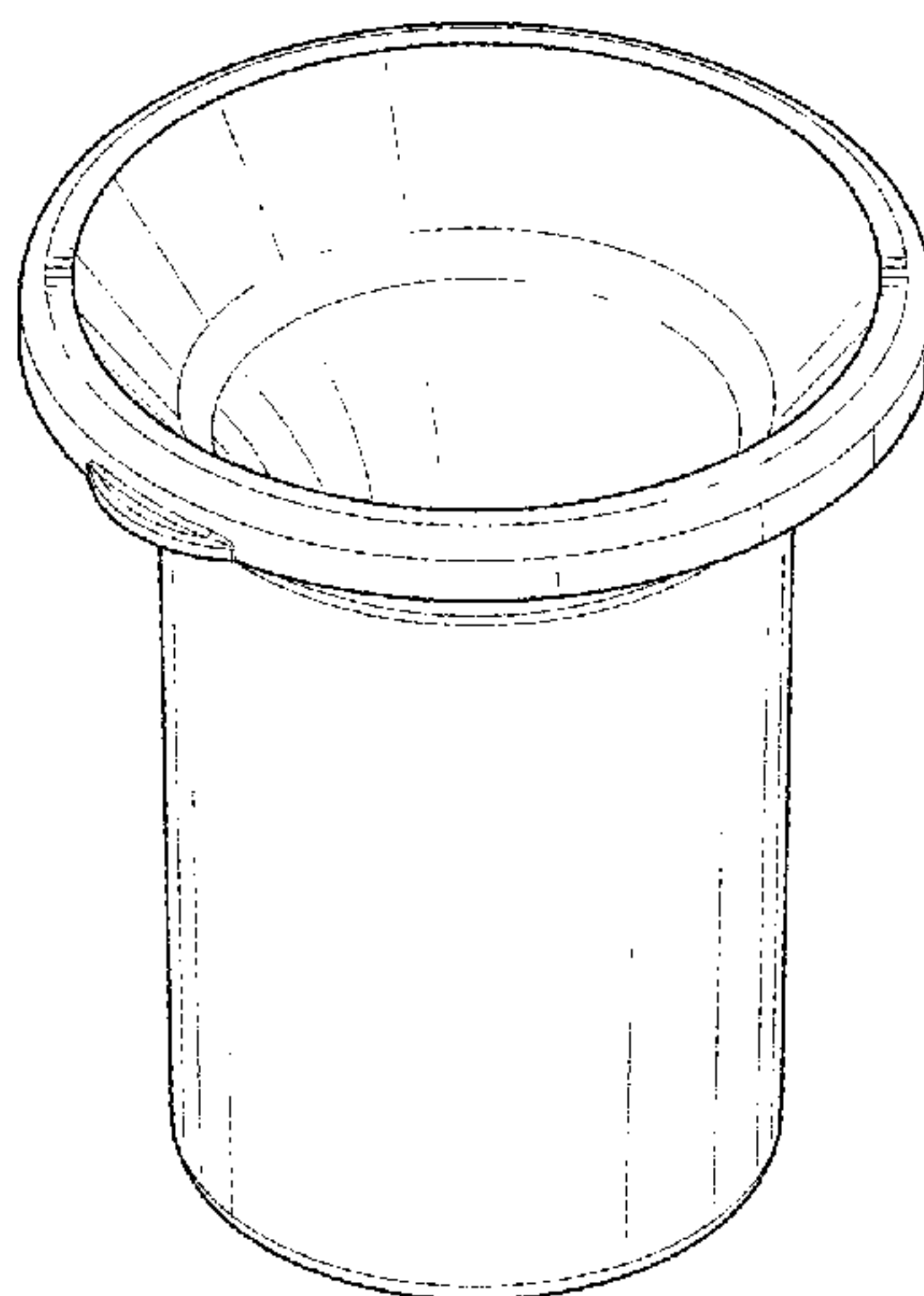
DESCRIPTION

FIG. 1 is a perspective view of the spittoon showing our new design;
FIG. 2 is another perspective view;
FIG. 3 is a front plan view thereof;
FIG. 4 is a rear plan view thereof;
FIG. 5 is a right side plan view thereof;
FIG. 6 is a left side plan view thereof;
FIG. 7 is a top plan view thereof; and,
FIG. 8 is a bottom plan view thereof.

1 Claim, 4 Drawing Sheets

(56) **References Cited**
U.S. PATENT DOCUMENTS

- 128,544 A * 7/1872 Hillin 4/283
- 1,461,156 A * 7/1923 Martin 4/274
- 2,440,783 A * 5/1948 Peart 131/236
- 3,155,990 A * 11/1964 Templeton 4/258
- RE26,246 E * 8/1967 Templeton 4/258
- 3,798,682 A * 3/1974 Harreld 4/271
- D234,123 S * 1/1975 Ragagli D9/447
- 4,503,572 A * 3/1985 Dawson 4/258
- D282,807 S * 3/1986 Hasse D7/700
- D287,402 S * 12/1986 Orsing D24/112
- 4,885,809 A * 12/1989 Muchmore 4/259
- 4,932,081 A * 6/1990 Burns 4/258



US D730,607 S

Page 2

(56)

References Cited

U.S. PATENT DOCUMENTS

D720,962 S *	1/2015	Coon et al.	D7/510
2011/0083259 A1 *	4/2011	Wright	4/261
2013/0092292 A1 *	4/2013	Arnold et al.	141/331
D719,414 S *	12/2014	Hester	D7/700

* cited by examiner

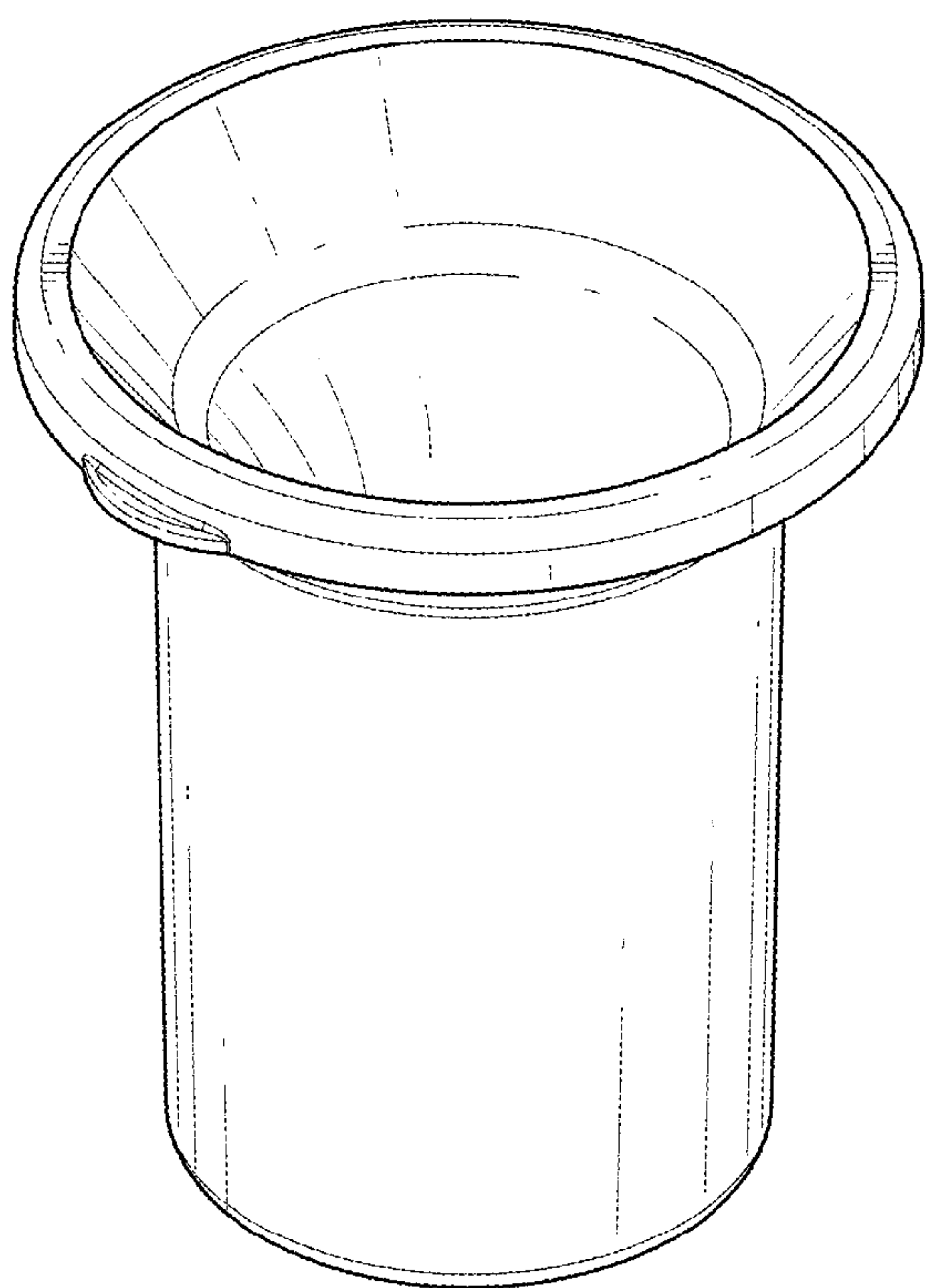


FIG. 1

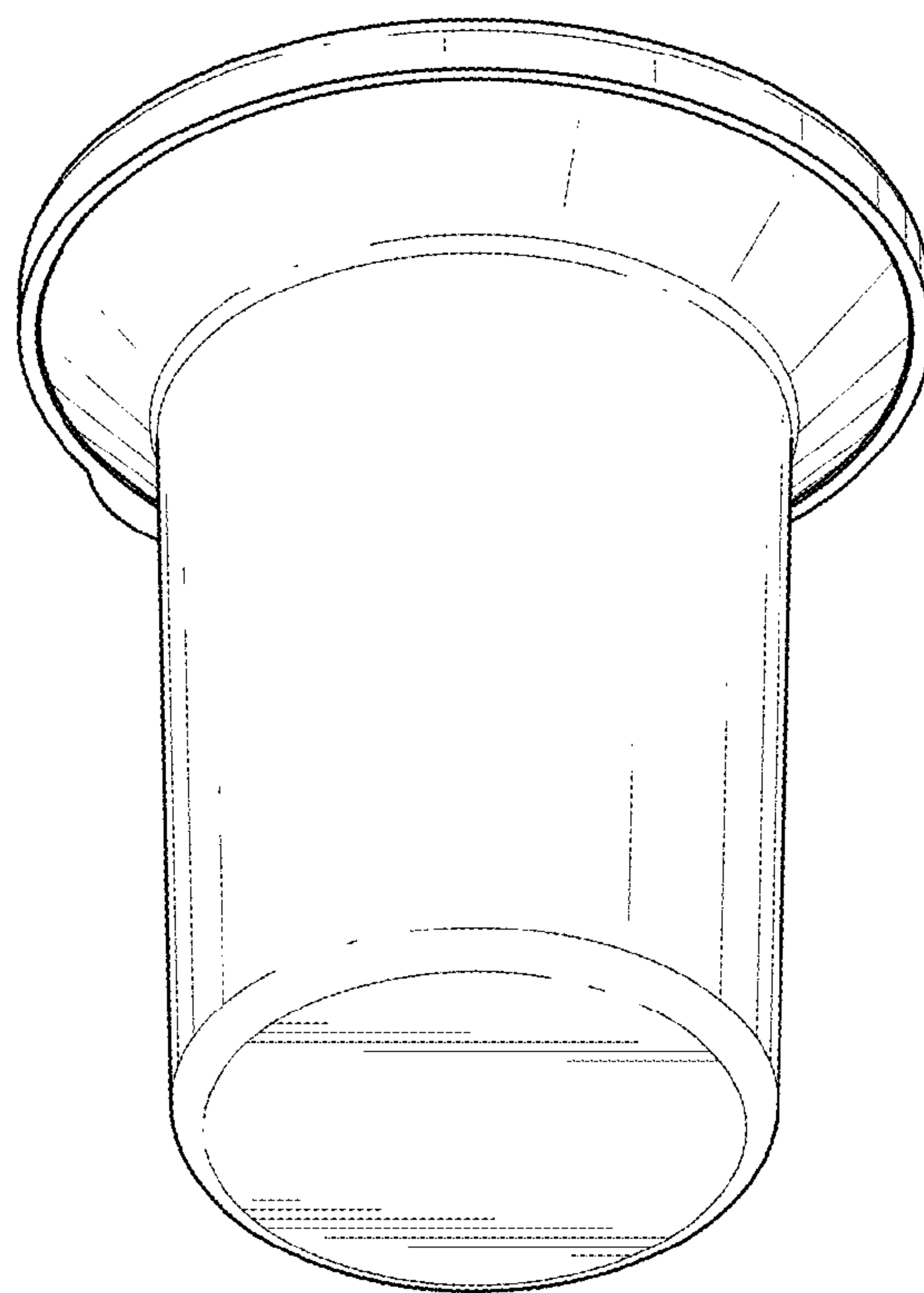


FIG. 2

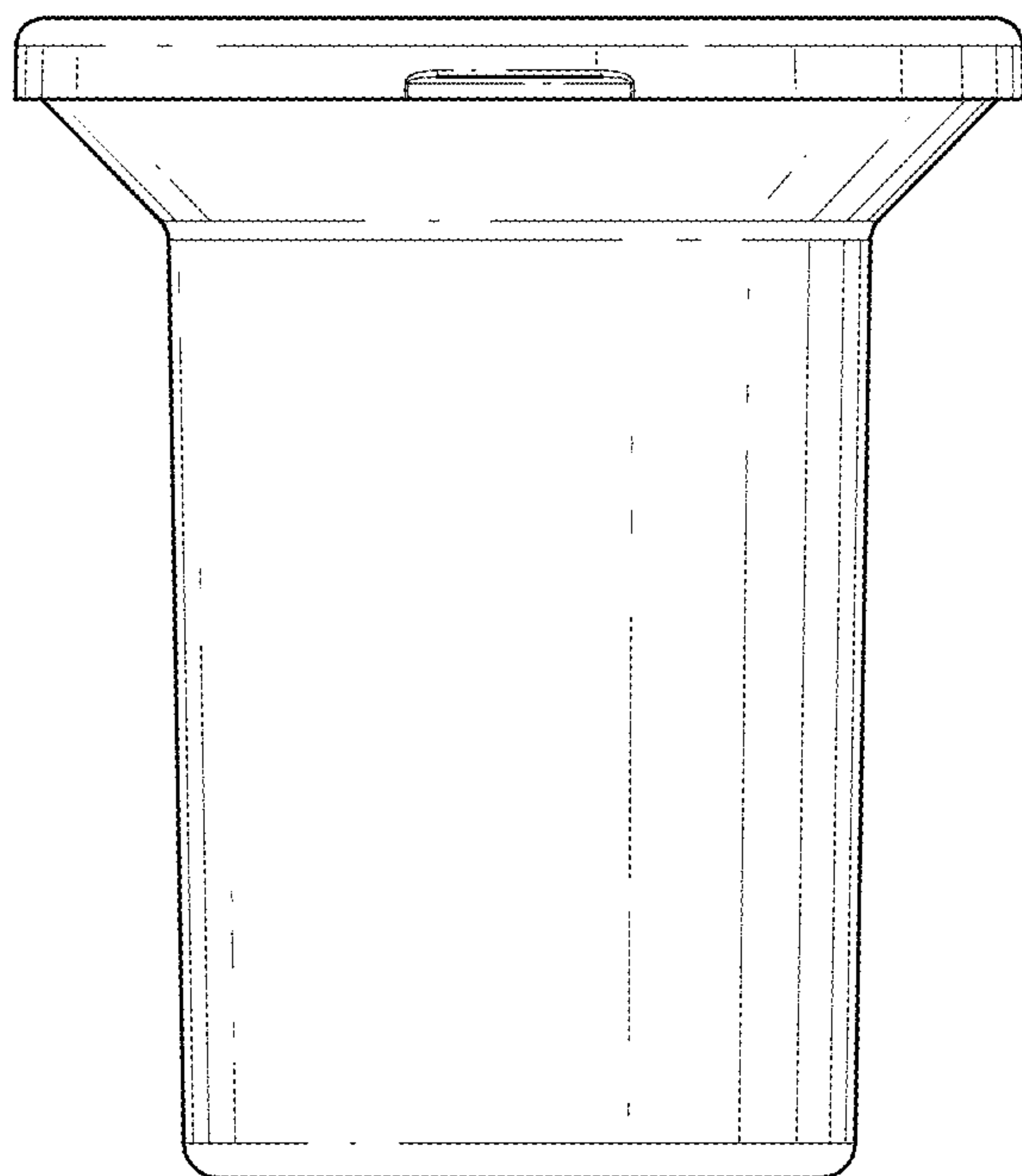


FIG. 3

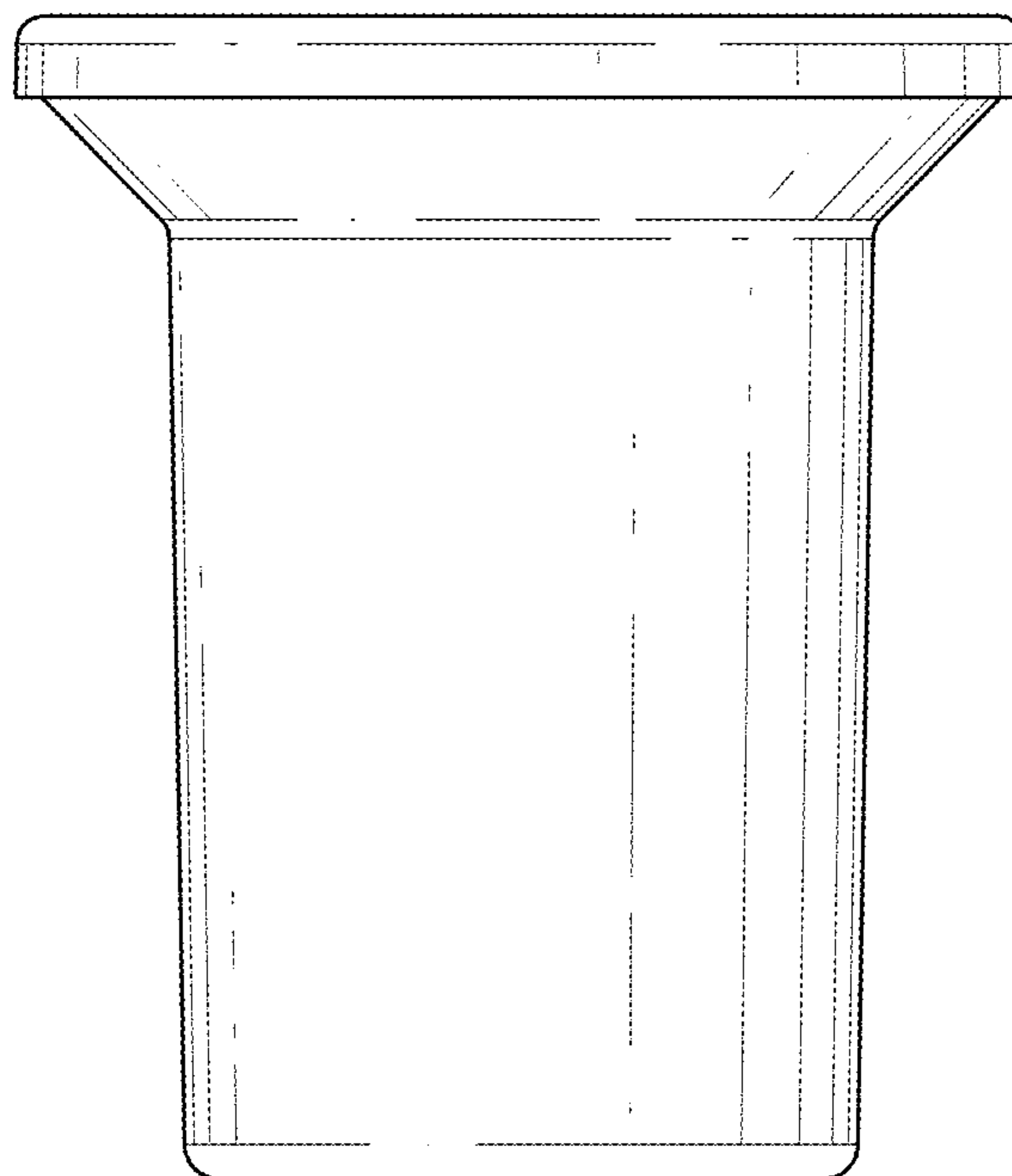


FIG. 4

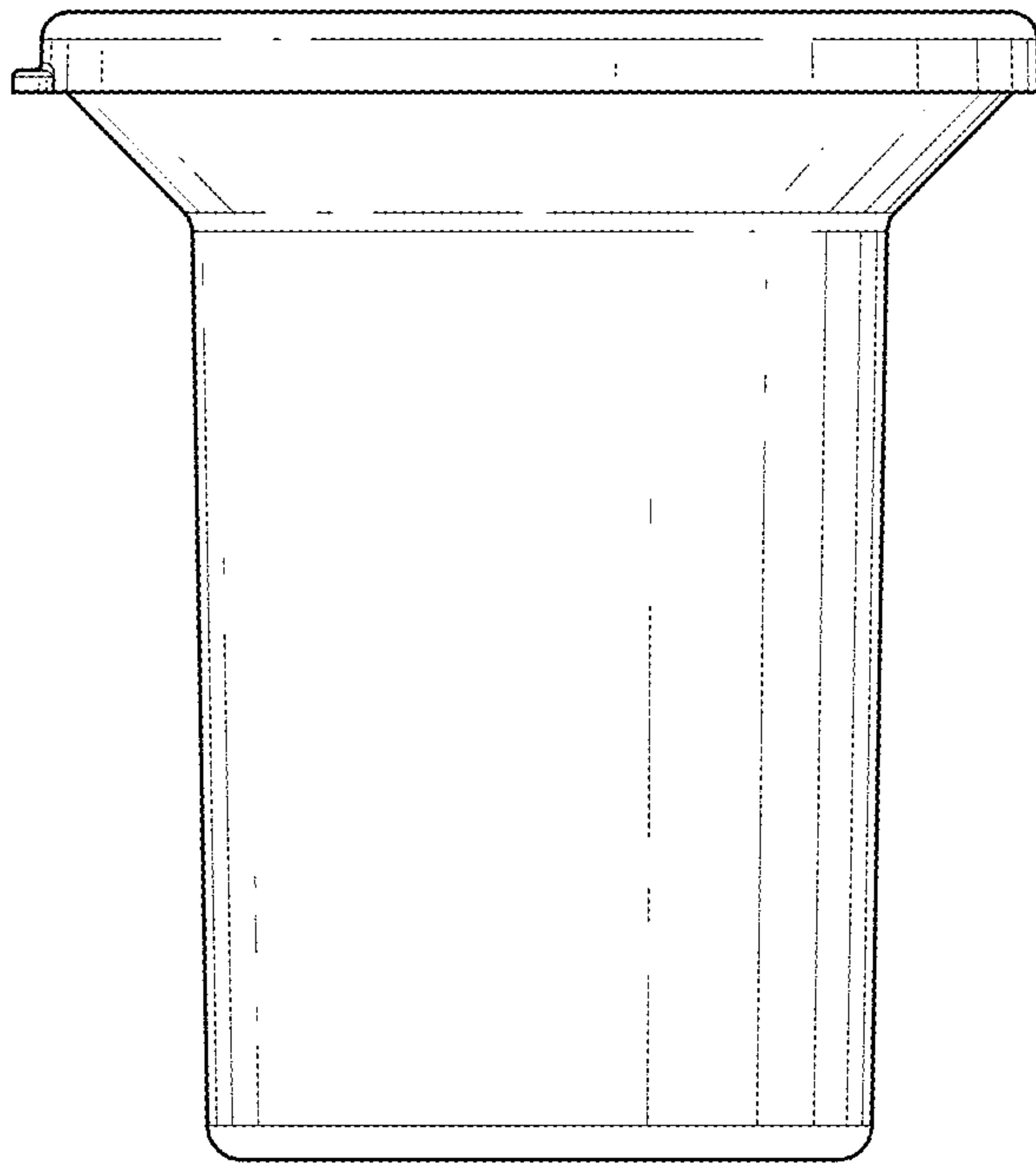


FIG. 5

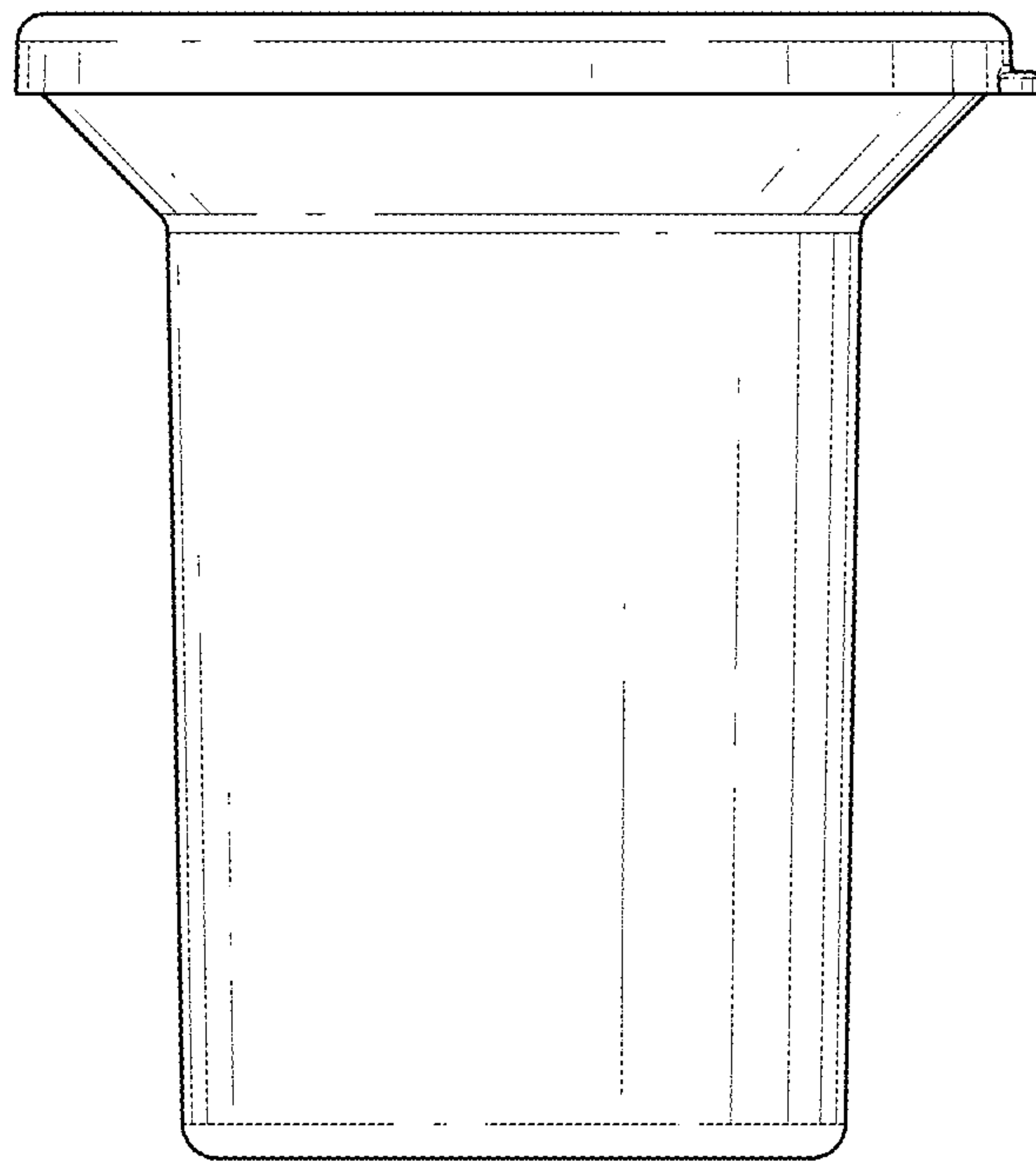


FIG. 6

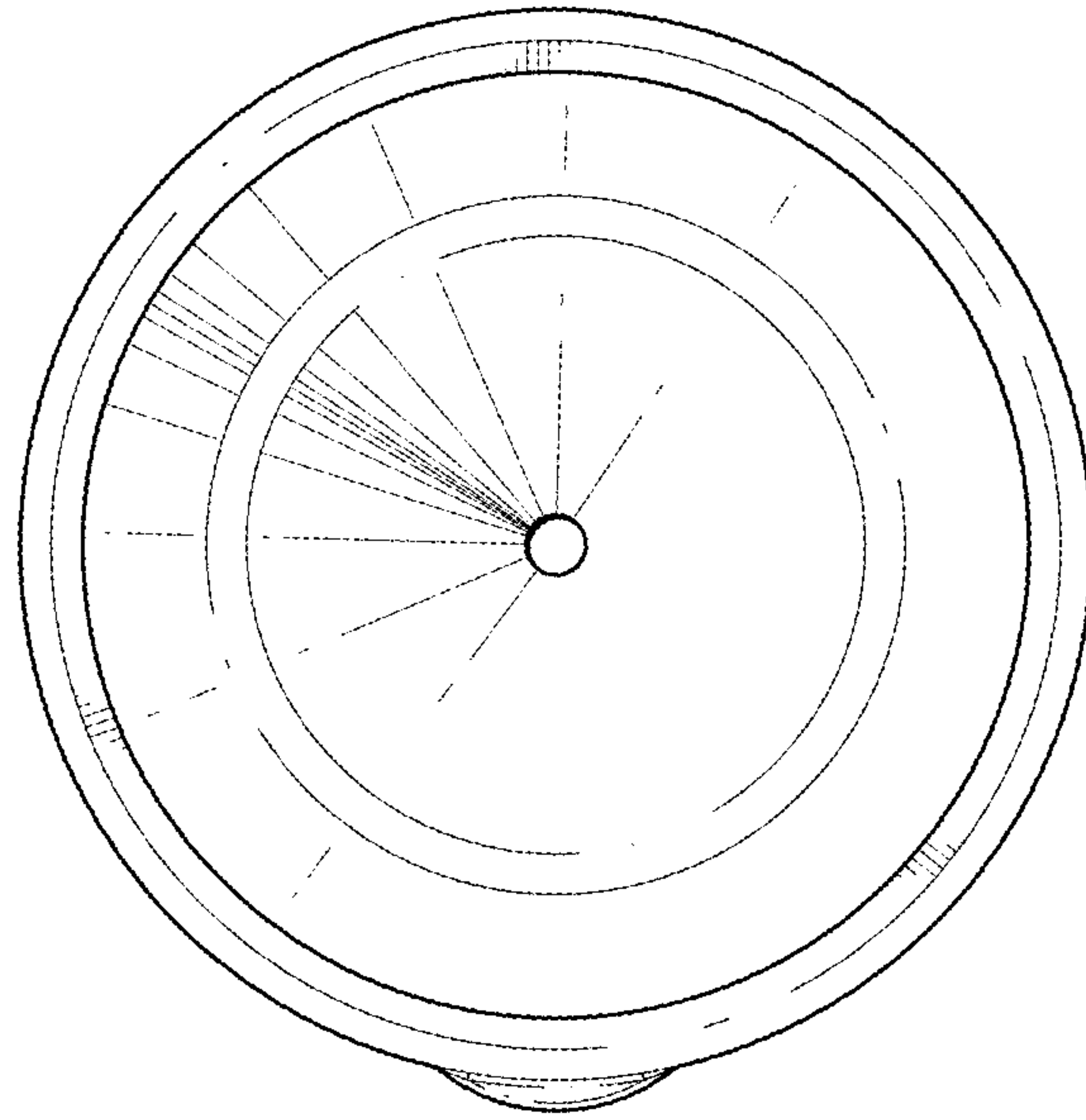


FIG. 7

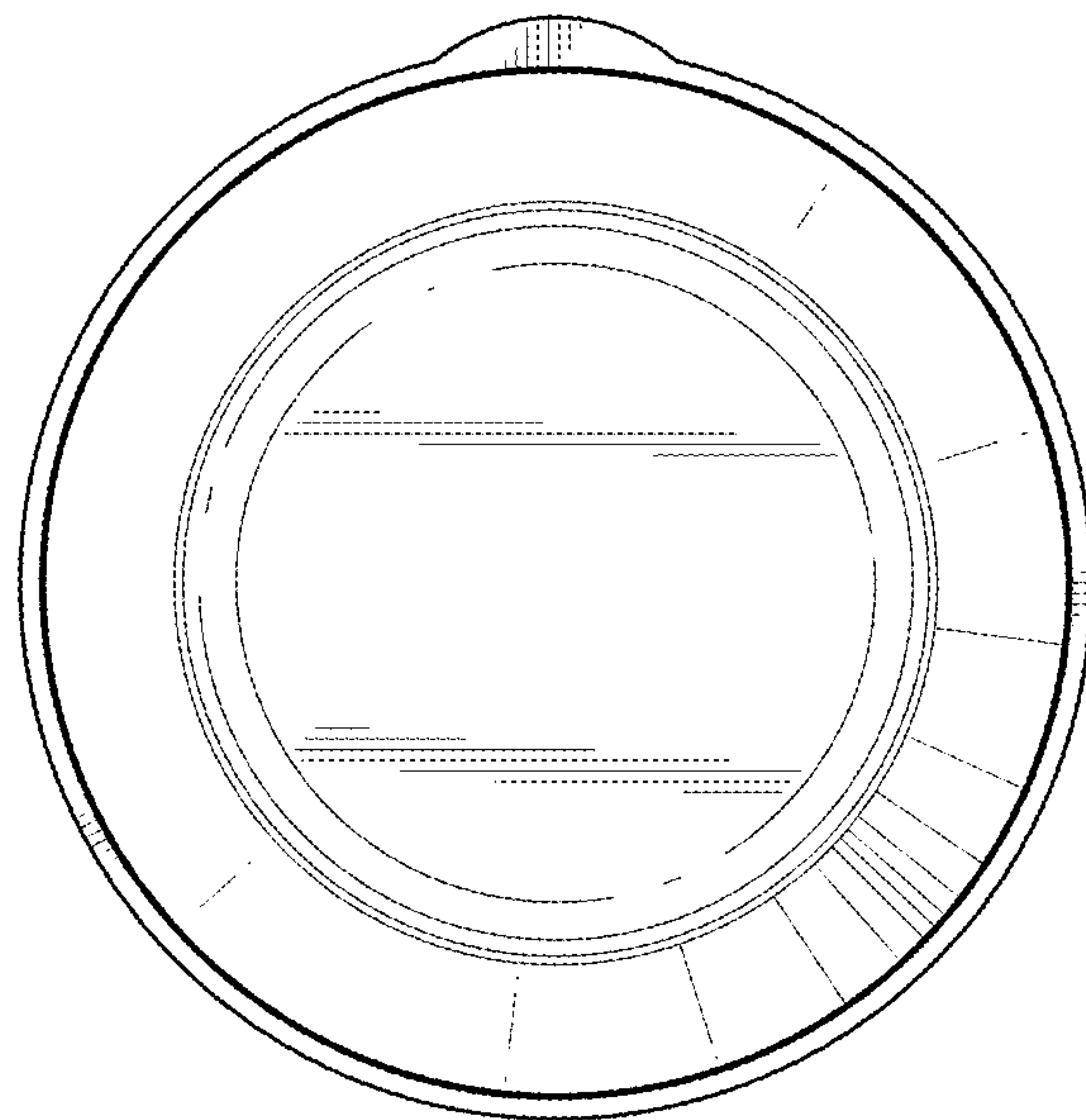


FIG. 8