



US00D730603S

(12) **United States Design Patent**  
**Jeon et al.**

(10) **Patent No.:** **US D730,603 S**  
(45) **Date of Patent:** **\*\* May 26, 2015**

(54) **PULSATOR FOR WASHING MACHINE**

(71) Applicant: **Samsung Electronics Co., Ltd.**,  
Suwon-si (KR)

(72) Inventors: **Jong Su Jeon**, Seongnam-si (KR); **Ha Young Jang**, Seoul (KR); **Jaewon Choi**,  
Seoul (KR)

(73) Assignee: **Samsung Electronics Co., Ltd.**,  
Suwon-si (KR)

(\*\*) Term: **14 Years**

(21) Appl. No.: **29/494,995**

(22) Filed: **Jun. 26, 2014**

(30) **Foreign Application Priority Data**

Jan. 3, 2014 (KR) ..... 30-2014-0000532

(51) **LOC (10) Cl.** ..... **15-05**

(52) **U.S. Cl.**  
USPC ..... **D32/26**

(58) **Field of Classification Search**  
USPC ..... D32/1, 25, 26; 68/53, 133-134;  
D23/207

See application file for complete search history.

(56) **References Cited**

**U.S. PATENT DOCUMENTS**

D100,861	S	*	8/1936	Hume	.....	D32/26
D108,158	S	*	1/1938	Little	.....	D32/26
D112,658	S	*	12/1938	Kirby	.....	D32/26
D133,042	S	*	7/1942	Nelligan	.....	D32/26
D181,498	S	*	11/1957	Smith	.....	D32/26
D209,009	S	*	10/1967	Smith	.....	D32/26
3,381,504	A	*	5/1968	Smith	.....	68/18 FA
3,987,651	A	*	10/1976	Platt	.....	68/133
3,987,652	A	*	10/1976	Ruble	.....	68/134

4,068,503	A	*	1/1978	Platt	.....	68/133
5,473,916	A	*	12/1995	Ye	.....	68/134
5,477,708	A	*	12/1995	Savkar et al.	.....	68/134
5,675,996	A	*	10/1997	Cho	.....	68/134
5,680,780	A	*	10/1997	Kim et al.	.....	68/134
5,784,902	A	*	7/1998	Pinkowski et al.	.....	68/12.02
5,839,300	A	*	11/1998	Yoon et al.	.....	68/134
5,906,118	A	*	5/1999	Cho et al.	.....	68/53
5,921,114	A	*	7/1999	Jung	.....	68/133
6,227,013	B1	*	5/2001	Wyatt-Smith	.....	68/134
D477,697	S	*	7/2003	Bullock et al.	.....	D32/26
D485,401	S	*	1/2004	Griffith et al.	.....	D32/26
7,506,525	B2	*	3/2009	La Belle et al.	.....	68/134
7,628,044	B2	*	12/2009	Kopyrin et al.	.....	68/134
8,028,550	B2	*	10/2011	Duncan et al.	.....	68/134
D665,047	S	*	8/2012	Hofken	.....	D23/207
D679,463	S	*	4/2013	Zhang et al.	.....	D32/26
2003/0200774	A1	*	10/2003	Kim et al.	.....	68/133

\* cited by examiner

*Primary Examiner* — T. Chase Nelson

*Assistant Examiner* — Michelle E Wilson

(74) *Attorney, Agent, or Firm* — NSIP Law

(57) **CLAIM**

We claim the ornamental design for a pulsator for washing machine, as shown and described.

**DESCRIPTION**

FIG. 1 is a front perspective view of a pulsator for washing machine showing our new design;

FIG. 2 is a front view thereof;

FIG. 3 is a rear view thereof;

FIG. 4 is a left-side view thereof;

FIG. 5 is a right-side view thereof;

FIG. 6 is a top view thereof; and,

FIG. 7 is a bottom view thereof.

The broken lines in the figures show portions of the pulsator for washing machine which form no part of the claimed design.

**1 Claim, 7 Drawing Sheets**

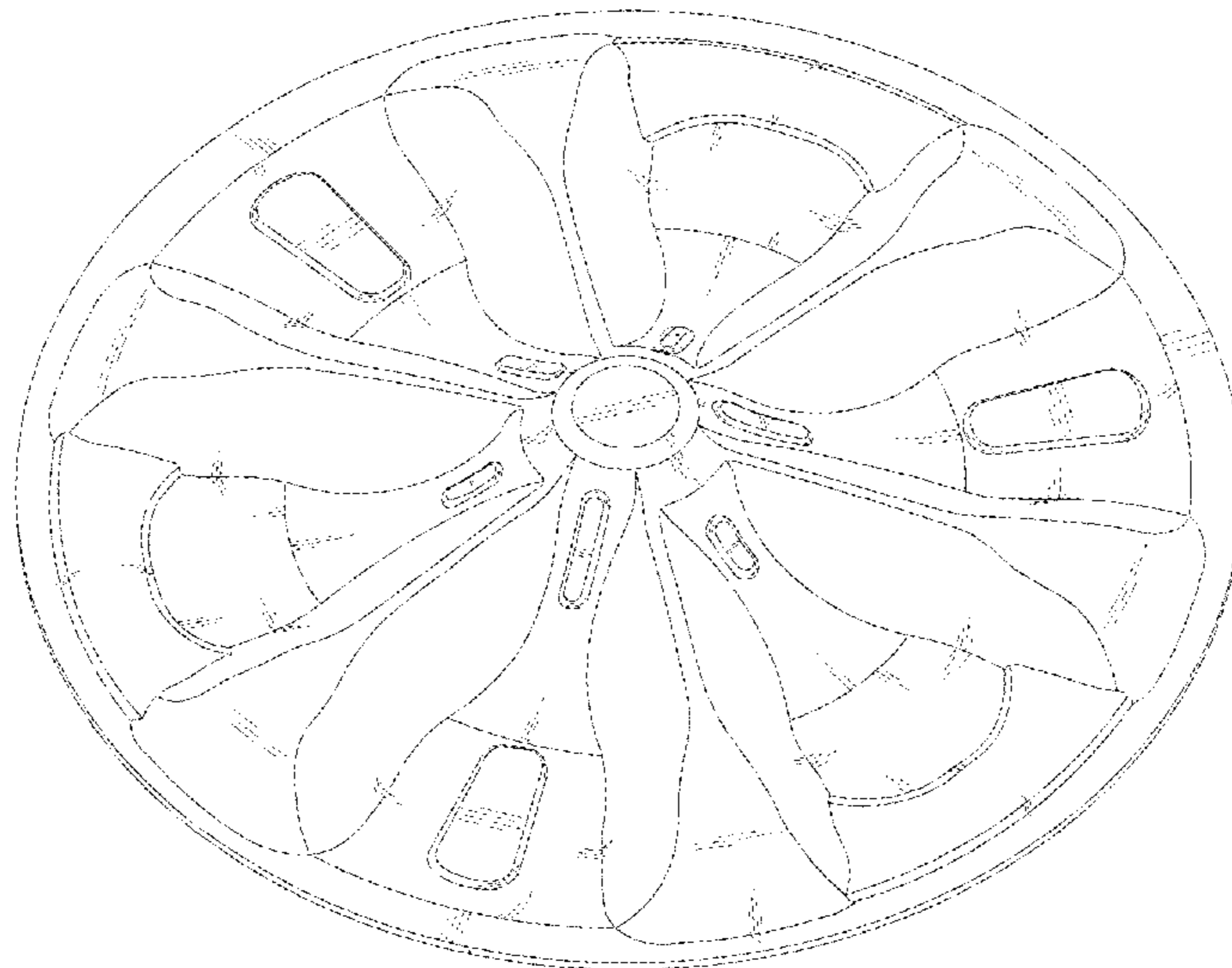


Fig. 1

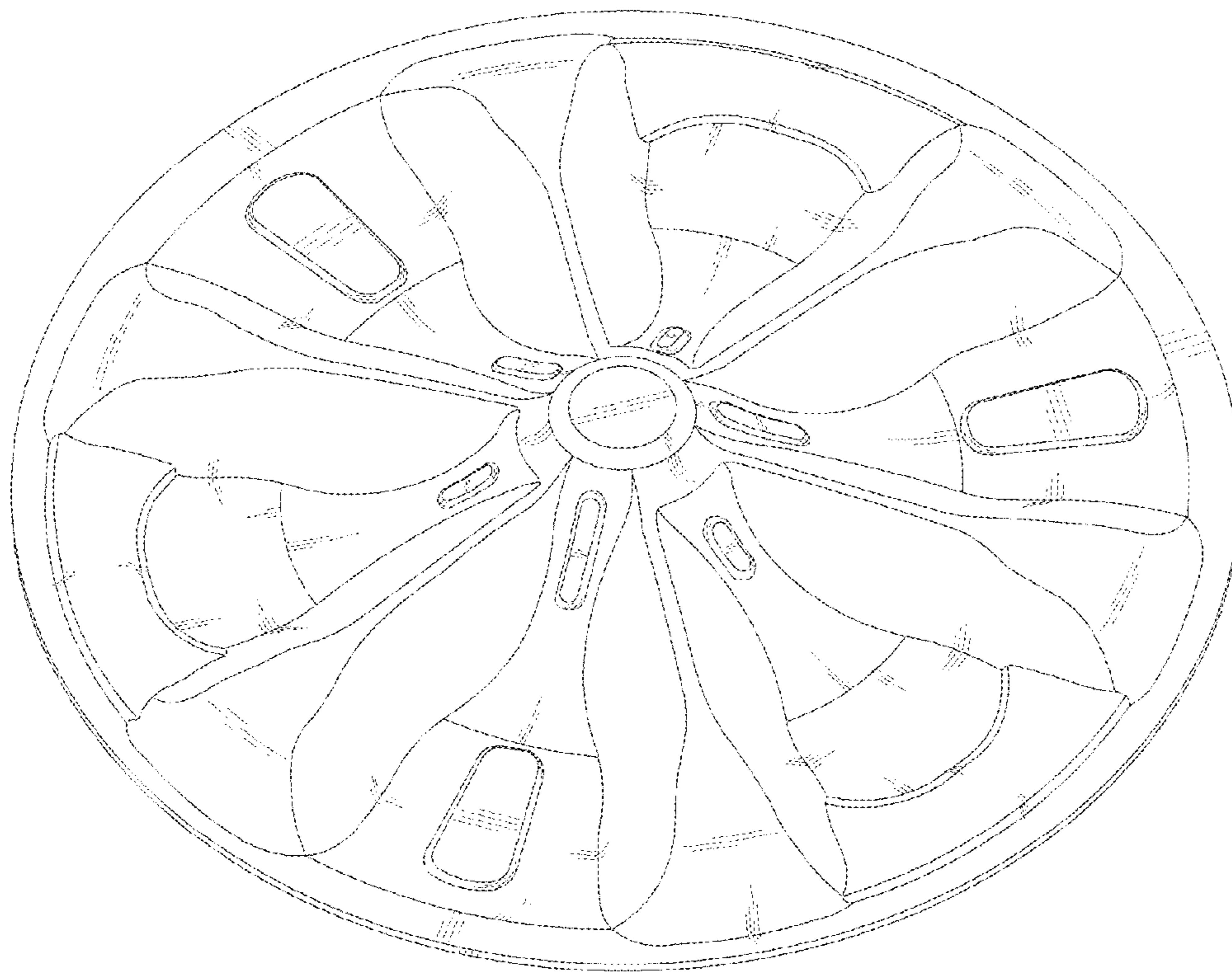


Fig. 2

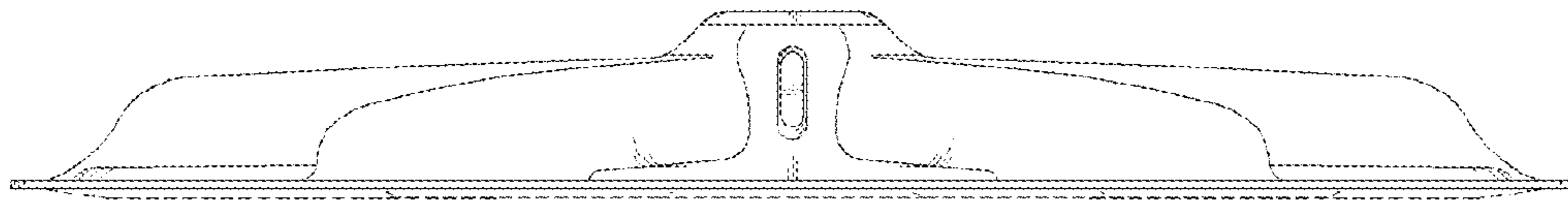


Fig. 3

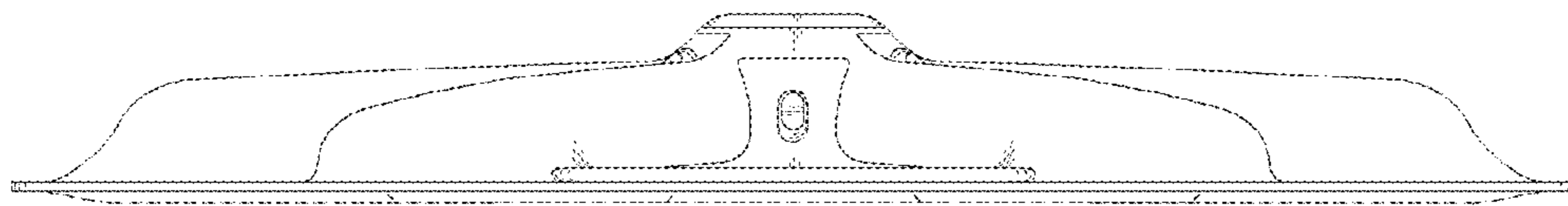


Fig. 4

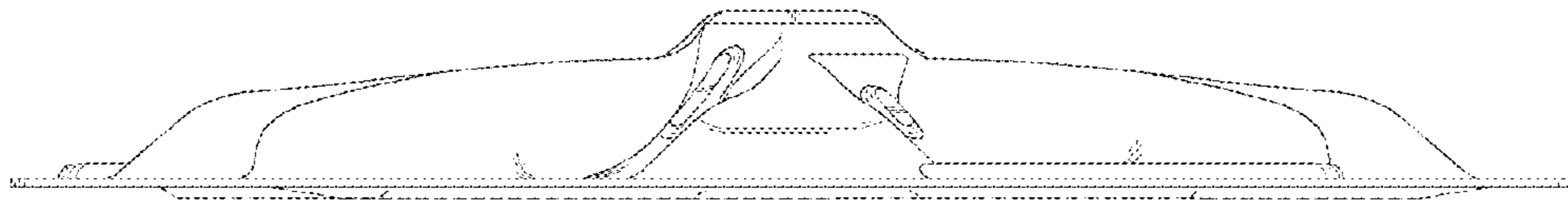


Fig. 5

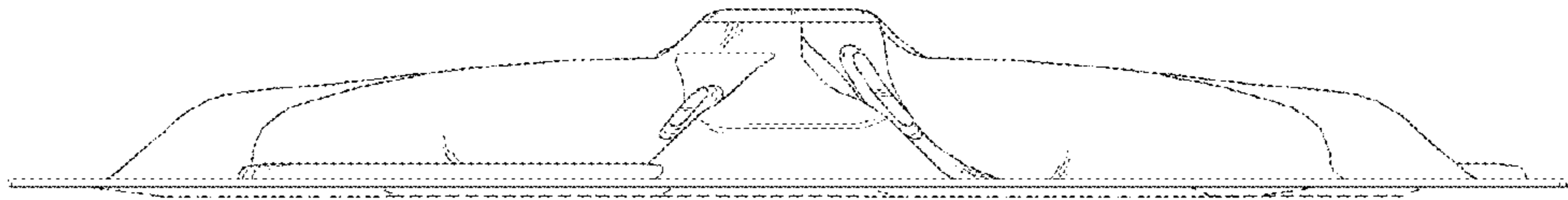


Fig. 6

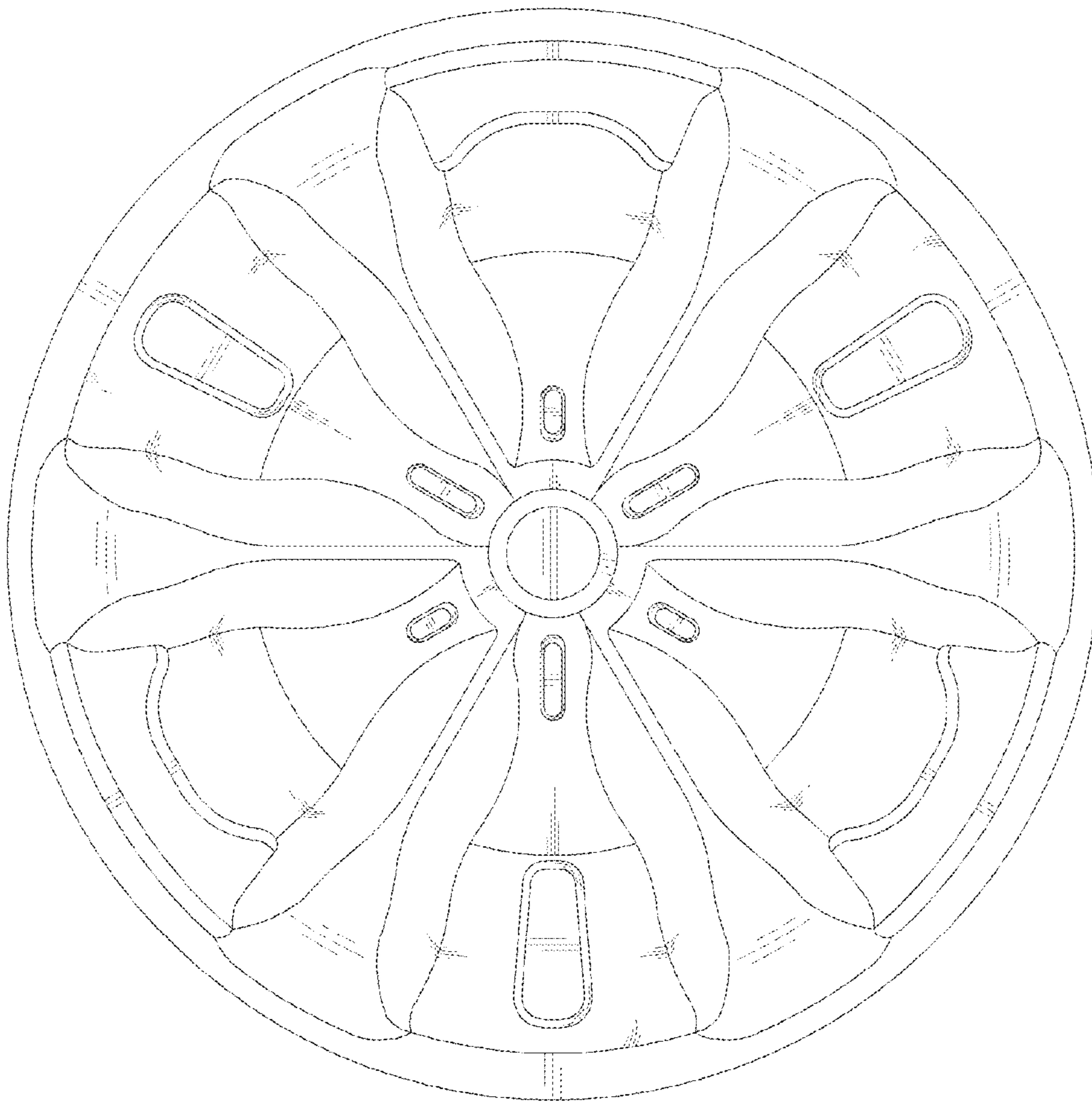


Fig. 7

