

US00D730602S

(12) **United States Design Patent**
Choi et al.

(10) **Patent No.:** **US D730,602 S**

(45) **Date of Patent:** **** May 26, 2015**

(54) **WASHING MACHINE**

(71) Applicant: **Samsung Electronics Co., Ltd.**,
Suwon-si, Gyeonggi-do (KR)

(72) Inventors: **Hyoung-Sub Choi**, Seoul (KR);
Jung-Hoon Hwang, Yongin-si (KR);
Ki-Sang Yoon, Daejeon (KR); **Jae-Won Choi**, Seoul (KR); **Tae-Hyoung Cho**, Seoul (KR)

(73) Assignee: **SAMSUNG ELECTRONICS CO., LTD.** (KR)

(**) Term: **14 Years**

(21) Appl. No.: **29/469,302**

(22) Filed: **Oct. 9, 2013**

(30) **Foreign Application Priority Data**

Apr. 11, 2013 (KR) 30-2013-0018899

(51) **LOC (10) Cl.** **15-05**

(52) **U.S. Cl.**
USPC **D32/25**

(58) **Field of Classification Search**
USPC D32/6, 8, 25, 5; 68/3 R, 5 R, 12.01, 212,
68/12.08; 34/523-534, 87-88, 108, 417,
34/130-132, 595-597, 499, 600, 603;
312/31

See application file for complete search history.

(56) **References Cited**

U.S. PATENT DOCUMENTS

D177,010 S * 3/1956 Boldt D32/6
D186,996 S * 1/1960 Romme D32/6
D191,918 S * 12/1961 Stern D32/8
D195,585 S * 7/1963 Horvath D32/5
D236,152 S * 7/1975 Yamamoto D32/8
D465,622 S * 11/2002 Wang et al. D32/6
D501,966 S * 2/2005 Hwang D32/25

D506,045 S * 6/2005 No et al. D32/25
D515,260 S * 2/2006 Ha et al. D32/25
D517,255 S * 3/2006 Kim et al. D32/5
D517,263 S * 3/2006 Ha et al. D32/25

(Continued)

FOREIGN PATENT DOCUMENTS

CN 3038428 * 12/1995
CN 3038436 * 12/1995

(Continued)

OTHER PUBLICATIONS

Super Mom Smashes Washing Machine After Realizing Her Daughter is Inside, Announced Nov. 9, 2011, [Site Visited Jan. 12, 2015] <http://www.mommyish.com/2011/11/09/mother-washing-machine-saves-daughter-603/>.*

(Continued)

Primary Examiner — John Windmuller
Assistant Examiner — Luqman McNeil

(74) *Attorney, Agent, or Firm* — Cantor Colburn LLP

(57) **CLAIM**

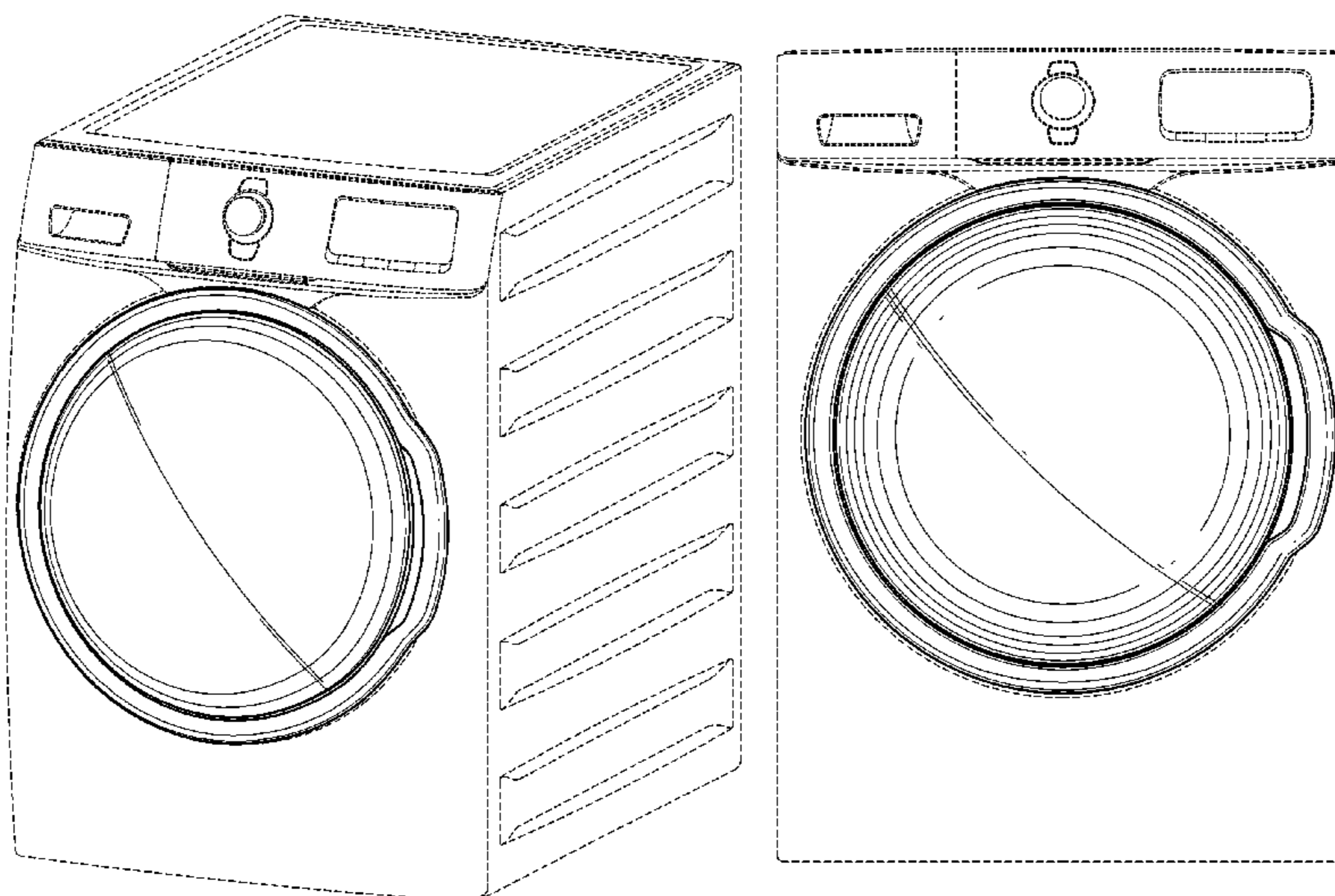
We claim, the ornamental design for a washing machine, as shown and described.

DESCRIPTION

FIG. 1 is a perspective view of a washing machine, showing our new design;
FIG. 2 is a front elevation view thereof;
FIG. 3 is a rear elevation view thereof;
FIG. 4 is a side elevation view thereof;
FIG. 5 is a another side elevation view thereof;
FIG. 6 is a top plan view thereof; and,
FIG. 7 is a bottom plan view thereof.

The broken lines illustrating portions of the washing machine are for environmental purposes only and form no part of the claimed design.

1 Claim, 7 Drawing Sheets



(56)

References Cited

U.S. PATENT DOCUMENTS

D525,753 S * 7/2006 Schoene D32/25
 D542,987 S * 5/2007 Crookshanks D32/6
 D544,157 S * 6/2007 Crookshanks D32/25
 D549,894 S * 8/2007 Wilday D32/6
 D562,508 S * 2/2008 Shin D32/6
 D563,062 S * 2/2008 Eicher et al. D32/6
 D565,809 S * 4/2008 Eicher et al. D32/6
 D589,661 S * 3/2009 Oh et al. D32/6
 D592,367 S * 5/2009 Crookshanks D32/25
 D613,009 S * 3/2010 DeSalvo et al. D32/6
 7,694,537 B2 * 4/2010 Ha et al. 68/3 R
 D616,163 S * 5/2010 Nam et al. D32/25
 D618,866 S * 6/2010 Lee D32/6
 D618,871 S * 6/2010 DeSalvo et al. D32/25
 D622,918 S * 8/2010 Choi et al. D32/25
 D634,492 S * 3/2011 Chung et al. D32/6
 D635,313 S * 3/2011 Jeon et al. D32/6
 D649,722 S * 11/2011 Chung et al. D32/6
 D681,890 S * 5/2013 Anderson et al. D32/25
 D688,430 S * 8/2013 Meda et al. D32/25

FOREIGN PATENT DOCUMENTS

CN 3334200 * 11/2003
 CN 300997794 * 9/2009
 KR 3020130018627 S 4/2013

OTHER PUBLICATIONS

AEG Protex Welded Tub, Announced Sep. 3, 2011, [Site Visted Jan. 12, 2015]<http://www.automaticwasher.org/cgi-bin/TD/TD-VIEWTHREAD.cgi?36229>.
 Appliance Doctor NJ, Announced Jul. 1, 2010, [Site Visited Jan. 12, 2015]<http://appliancerepairprincetonj.info/washer-and-dryer-repair/>.
 Samsung Washing Machine Price List, Announced Oct. 11, 2011, [Site Visited Jan. 12, 2015] <http://priceinfoworld.com/electronics/samsung-washing-machine-price-in-india>.
 Korean Office Action for Application No. 30-2013-0018899 dated Feb. 13, 2014.

* cited by examiner

FIG. 1

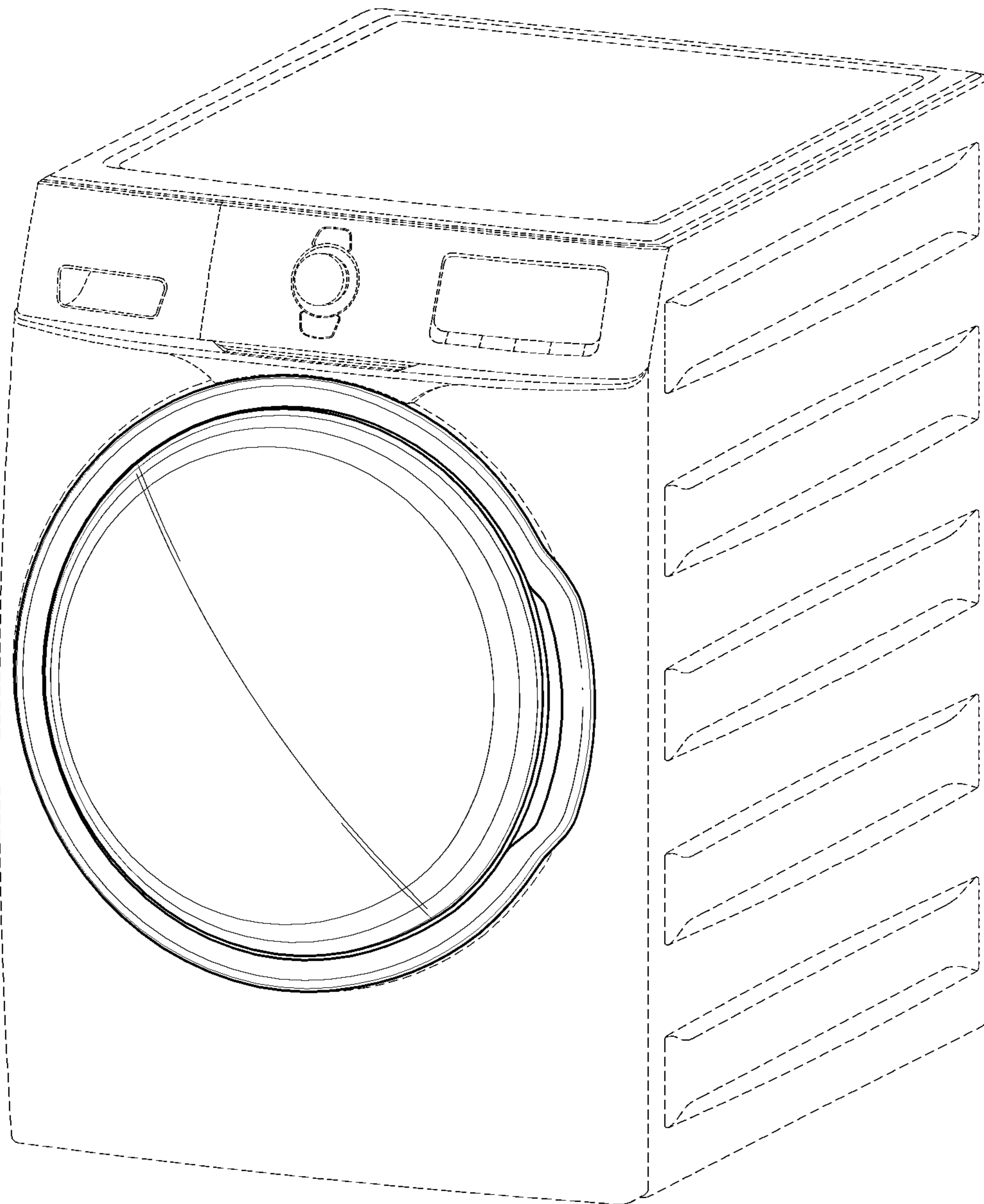


FIG. 2

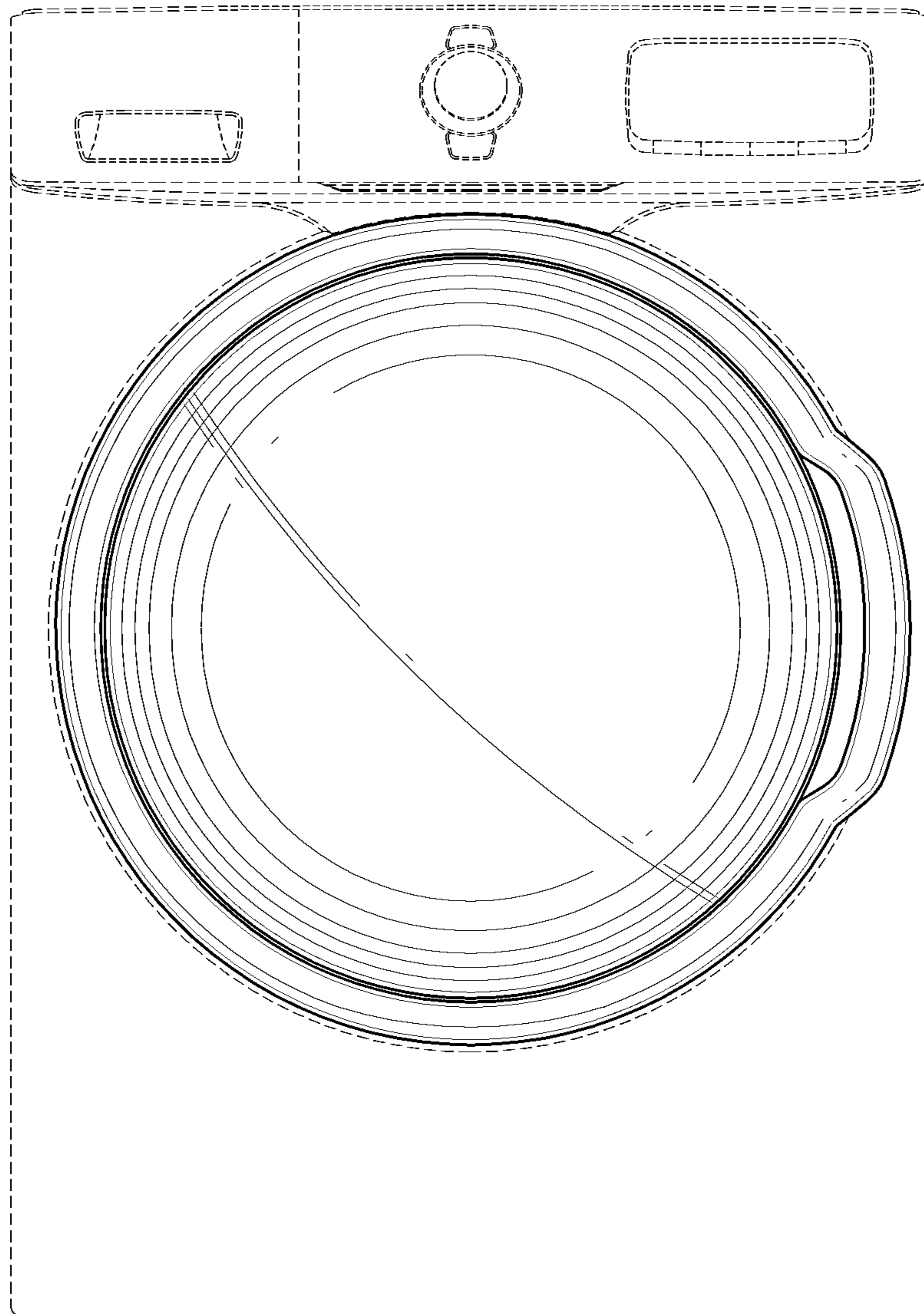


FIG. 3



FIG. 4

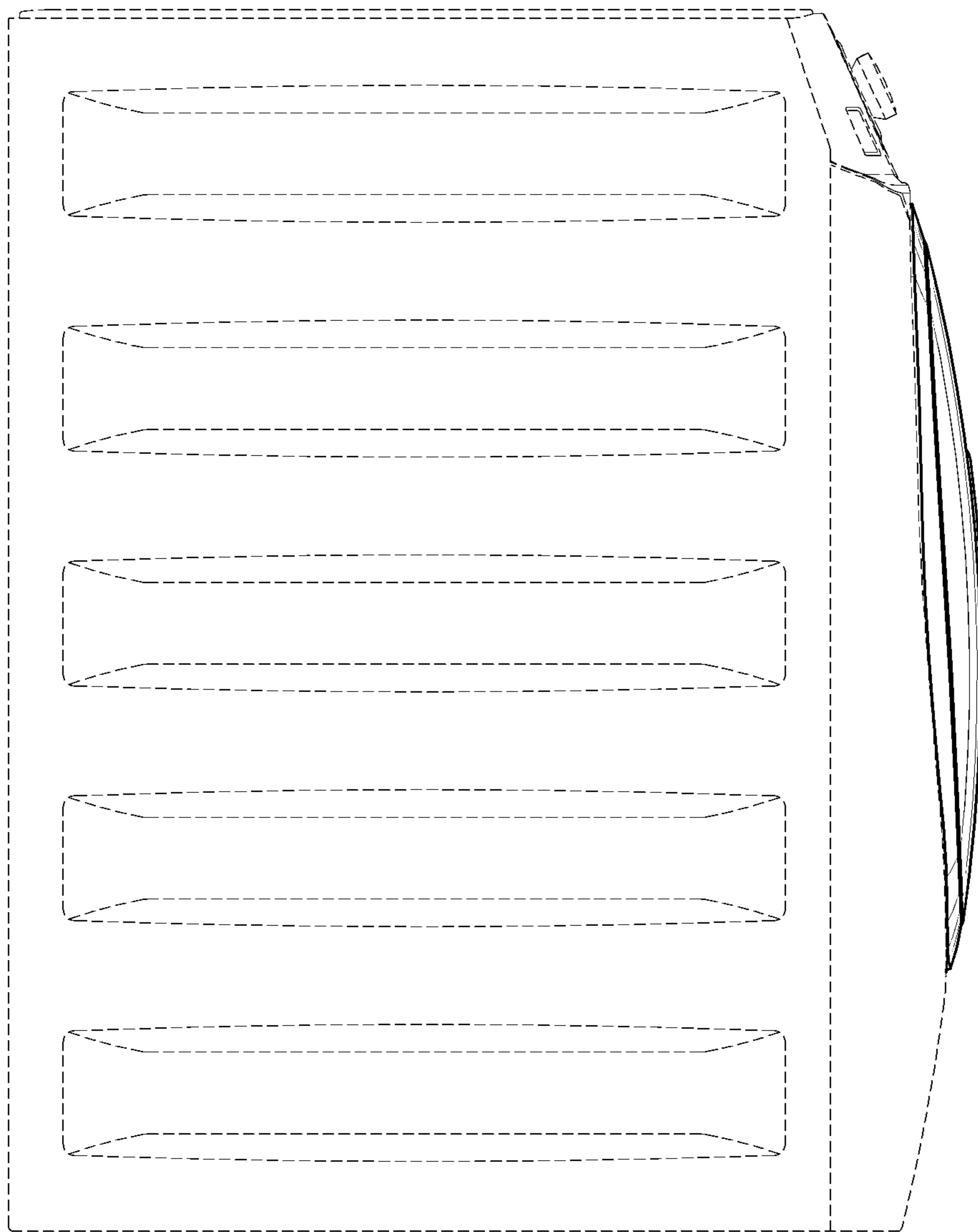


FIG. 5

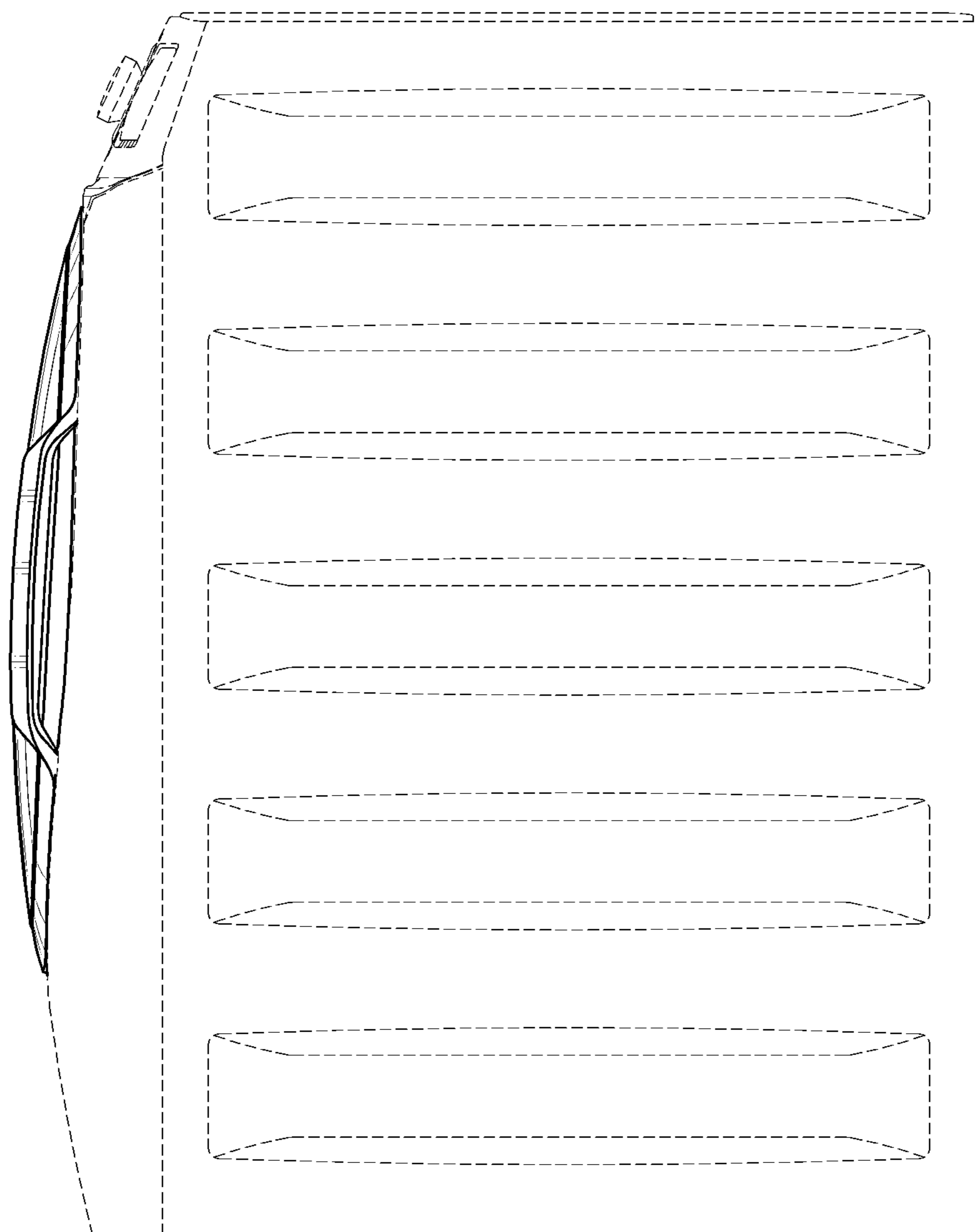


FIG. 6

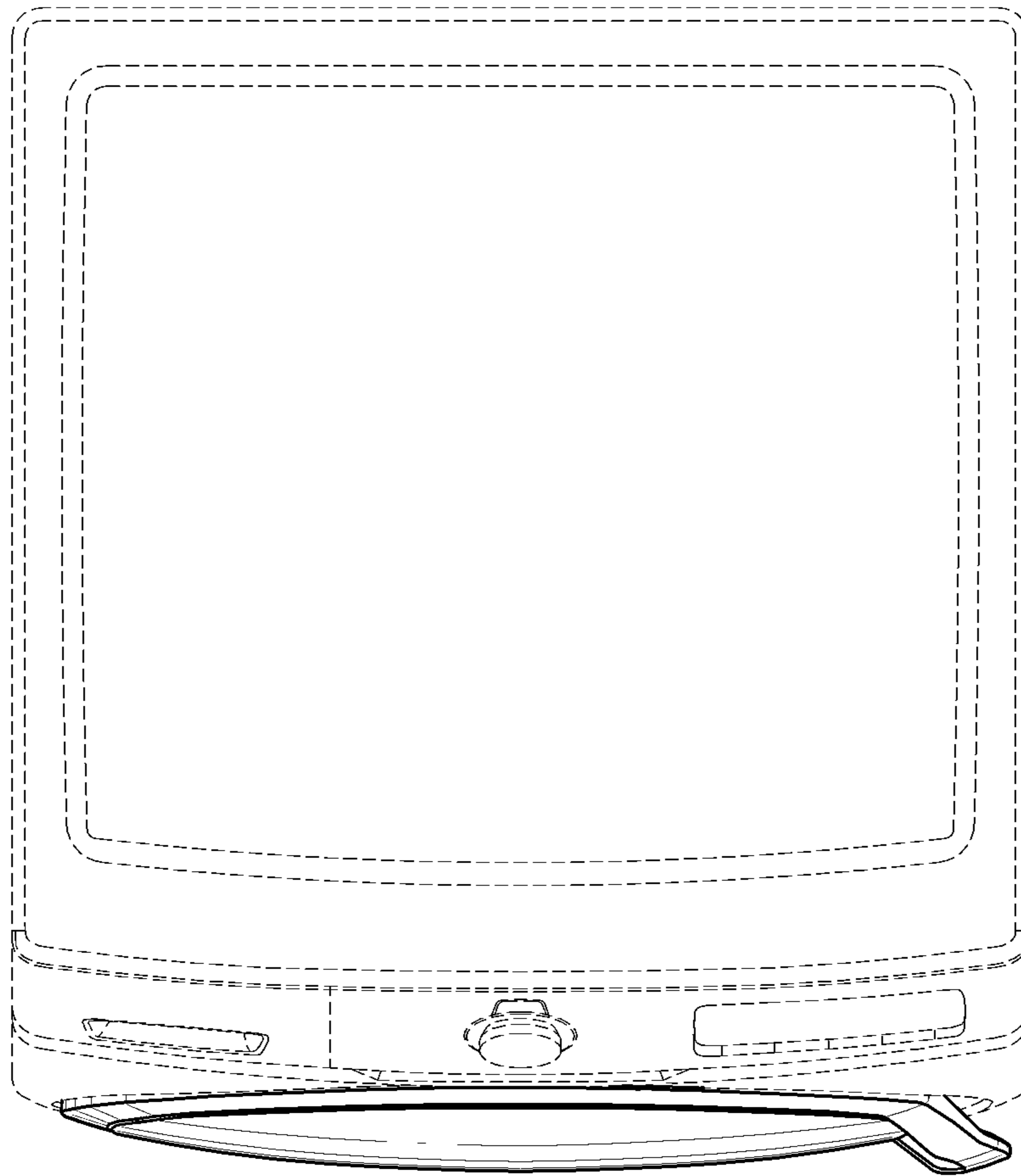


FIG. 7

