



US00D730600S

(12) **United States Design Patent**  
**Springell et al.**

(10) **Patent No.:** **US D730,600 S**

(45) **Date of Patent:** **\*\* May 26, 2015**

(54) **FLOOR CLEANING DEVICE**

(71) Applicant: **Techtronic Floor Care Technology Limited**, Tortola (VG)

(72) Inventors: **Ryan Springell**, Hertfordshire (GB);  
**May Wilson**, Leicestershire (GB);  
**Samuel William Bennett**, Bristol (GB);  
**Daniel William Carter**, West Midlands (GB);  
**Matthew James Ward**, East Yorkshire (GB)

(73) Assignee: **Techtronic Floor Care Technology Limited**, Tortola (VG)

(\*\*) Term: **14 Years**

(21) Appl. No.: **29/485,842**

(22) Filed: **Mar. 24, 2014**

(30) **Foreign Application Priority Data**

Sep. 24, 2013 (CN) ..... 2013 3 0455751

(51) **LOC (10) Cl.** ..... **15-05**

(52) **U.S. Cl.**  
USPC ..... **D32/21**

(58) **Field of Classification Search**

CPC ..... A47L 7/0038; A47L 5/36-5/367;  
A47L 5/24; A47L 5/14; A47L 5/28; A47L  
7/0019; A47L 7/0023; A47L 7/0004; A47L  
9/1666; A47L 9/1683; A47L 11/34; A47L  
11/4072; A47L 9/009; A47L 11/40

USPC ..... D32/21, 23-24, 31  
See application file for complete search history.

(56) **References Cited**

**U.S. PATENT DOCUMENTS**

D368,993 S 4/1996 Stutzer et al.  
D394,528 S 5/1998 Pochopien et al.  
D417,323 S 11/1999 Fujita et al.

D445,226 S 7/2001 Jupp  
6,484,350 B2 11/2002 Yung  
D476,783 S 7/2003 Kondo et al.  
D493,586 S 7/2004 Choi  
7,000,288 B2 2/2006 Nighy  
D518,611 S 4/2006 Hare  
D534,696 S 1/2007 Choi  
D550,908 S \* 9/2007 Shin ..... D32/21  
D550,909 S \* 9/2007 Shin ..... D32/21  
D550,910 S \* 9/2007 Shin ..... D32/21  
D552,310 S \* 10/2007 Shin ..... D32/21

(Continued)

**FOREIGN PATENT DOCUMENTS**

EP 1087688 9/2002

**OTHER PUBLICATIONS**

Co-pending U.S. Appl. No. 29/464,863, filed Aug. 21, 2013.

(Continued)

*Primary Examiner* — Ruth McInroy

(74) *Attorney, Agent, or Firm* — Michael Best & Friedrich LLP

(57) **CLAIM**

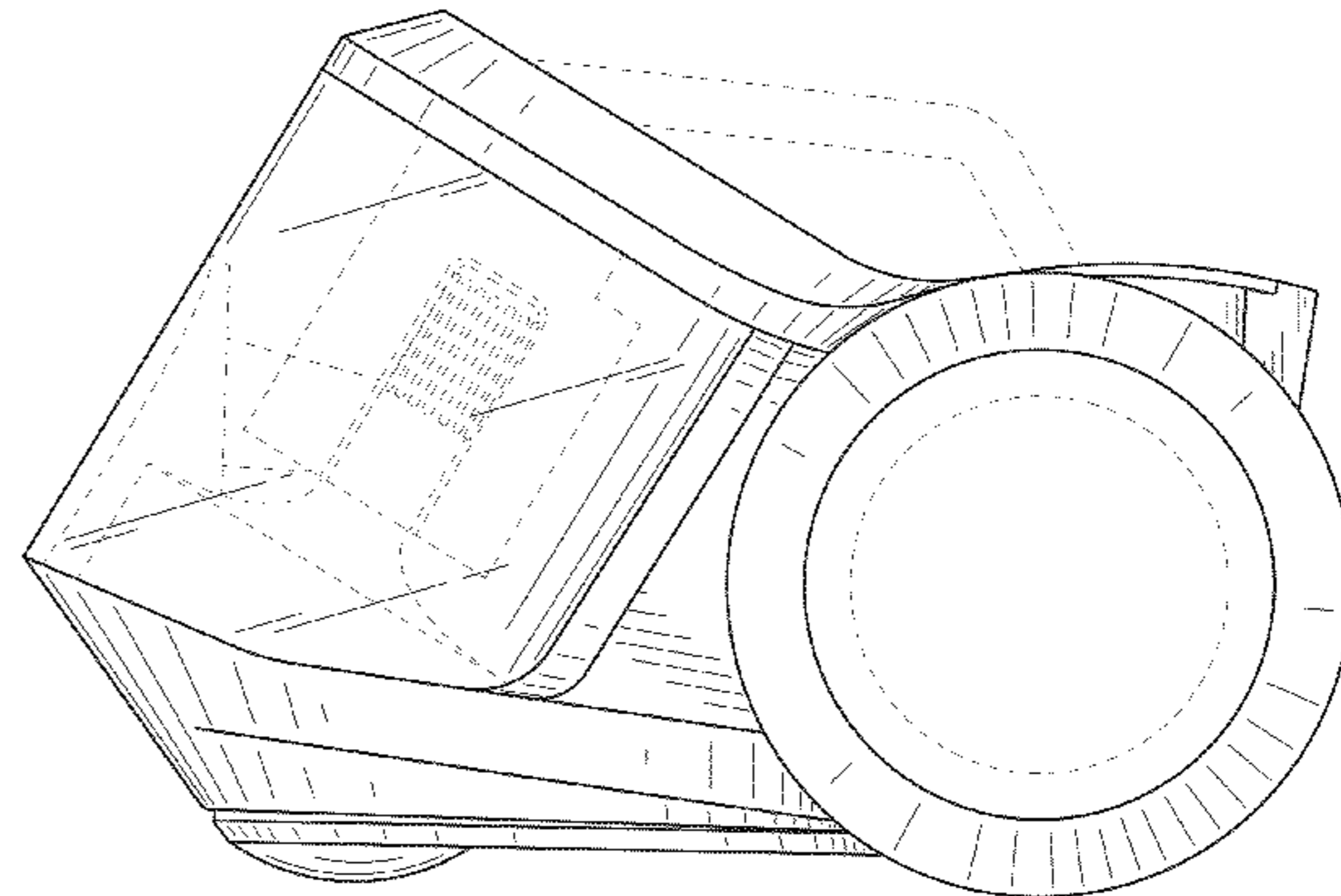
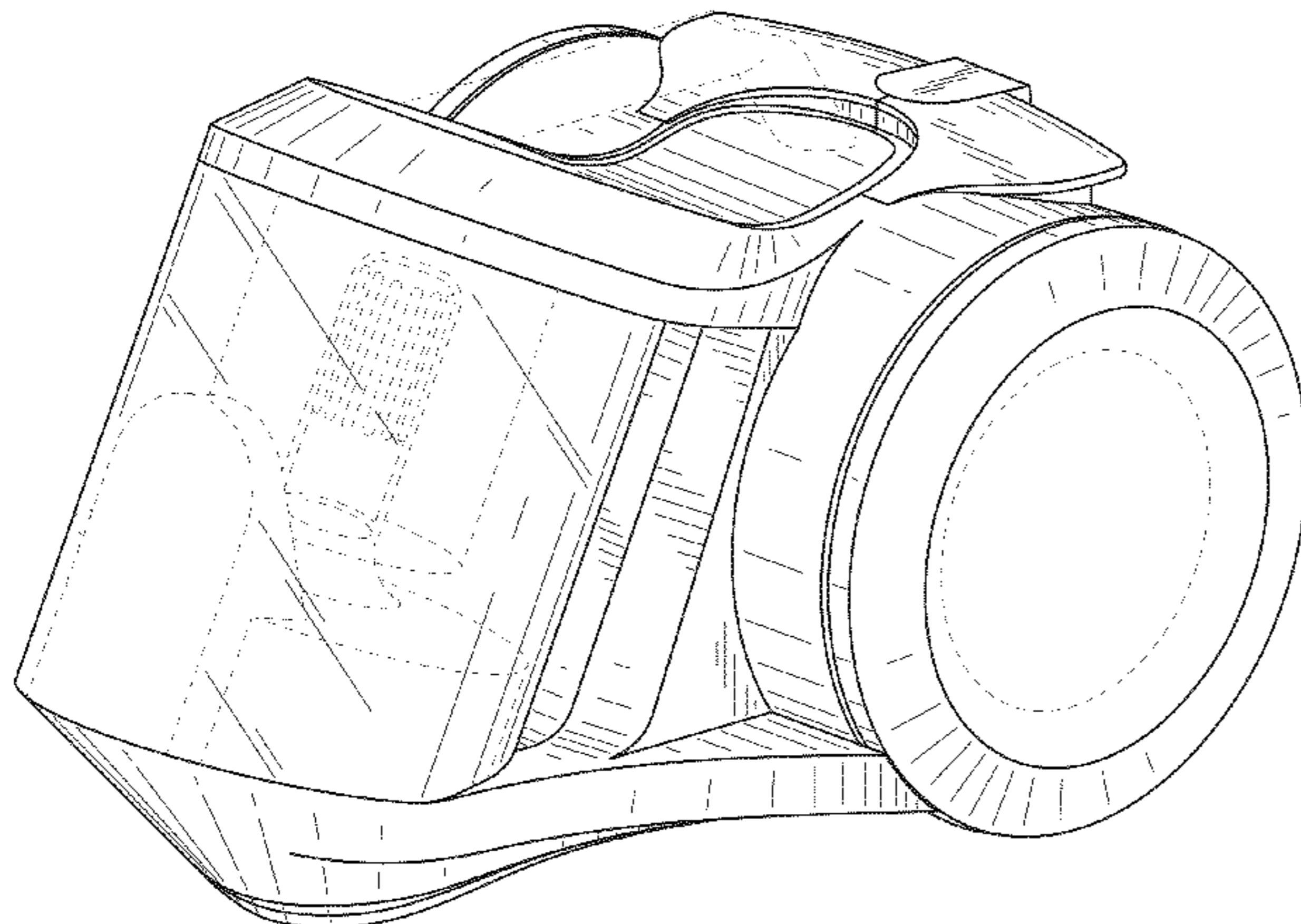
We claim the ornamental design for a floor cleaning device, as shown and described.

**DESCRIPTION**

FIG. 1 is a front perspective view of a floor cleaning device showing our new design;  
FIG. 2 is a right side view thereof;  
FIG. 3 is a left side view thereof;  
FIG. 4 is a front view thereof;  
FIG. 5 is a rear view thereof;  
FIG. 6 is a top view thereof; and,  
FIG. 7 is a bottom view thereof.

The elements shown in broken lines are included for the purpose of illustrating environment and form no part of the claimed design.

**1 Claim, 4 Drawing Sheets**



(56)

References Cited

U.S. PATENT DOCUMENTS

D552,810 S 10/2007 Shin  
D552,811 S \* 10/2007 Shin ..... D32/21  
D553,311 S \* 10/2007 Shin et al. .... D32/21  
D556,400 S 11/2007 Houghton  
D559,482 S 1/2008 Jansson et al.  
7,380,308 B2 6/2008 Oh et al.  
D594,162 S 6/2009 Knox et al.  
D600,415 S 9/2009 Svantesson  
D617,963 S 6/2010 Ayers  
D626,709 S 11/2010 Fjellman  
D646,030 S \* 9/2011 Carr et al. .... D32/21  
D646,031 S 9/2011 Carr et al.  
D646,855 S 10/2011 Kim et al.  
D653,823 S \* 2/2012 Kim et al. .... D32/21  
D657,508 S 4/2012 Dyson et al.  
D657,921 S 4/2012 Lee  
D664,316 S 7/2012 Kim

D680,283 S 4/2013 Renault  
D682,494 S 5/2013 Kim et al.  
D702,901 S 4/2014 Fhellman  
D707,407 S 6/2014 Okabe et al.  
2002/0069476 A1 6/2002 Yung  
2013/0025086 A1 1/2013 Komae et al.

OTHER PUBLICATIONS

Co-pending U.S. Appl. No. 29/481,449, filed Feb. 6, 2014.  
Co-pending U.S. Appl. No. 29/445,677, filed Feb. 14, 2013.  
Co-pending U.S. Appl. No. 29/481,444, filed Feb. 6, 2014.  
Co-pending U.S. Appl. No. 29/481,445, filed Feb. 6, 2014.  
Co-pending U.S. Appl. No. 29/481,447, filed Feb. 6, 2014.  
Co-pending U.S. Appl. No. 29/484,231, filed Mar. 7, 2014.  
Co-pending U.S. Appl. No. 29/484,232, filed Mar. 7, 2014.  
Co-pending U.S. Appl. No. 29/485,835, filed Mar. 24, 2014.  
Co-pending U.S. Appl. No. 29/471,498, filed Nov. 1, 2013.

\* cited by examiner

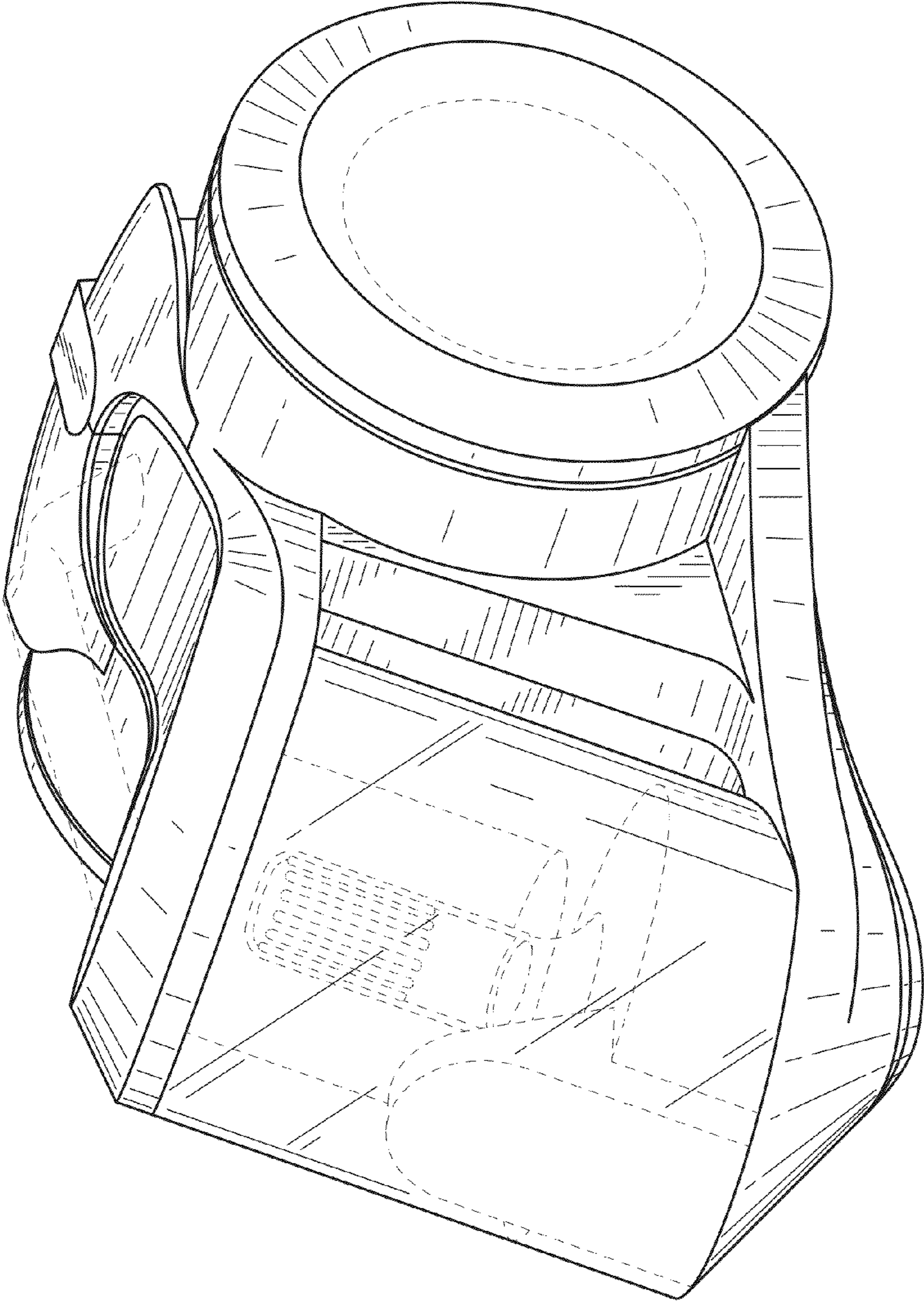
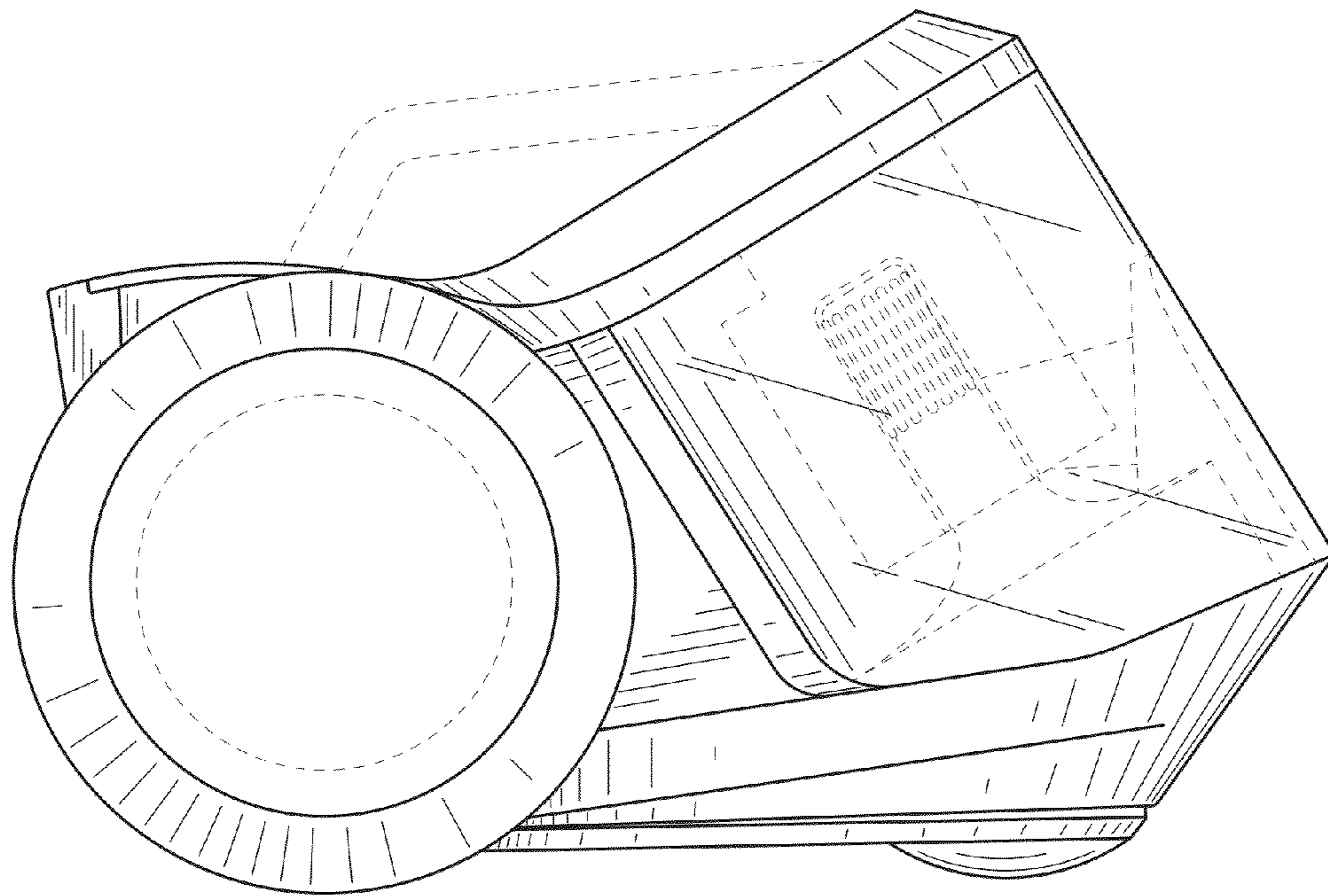
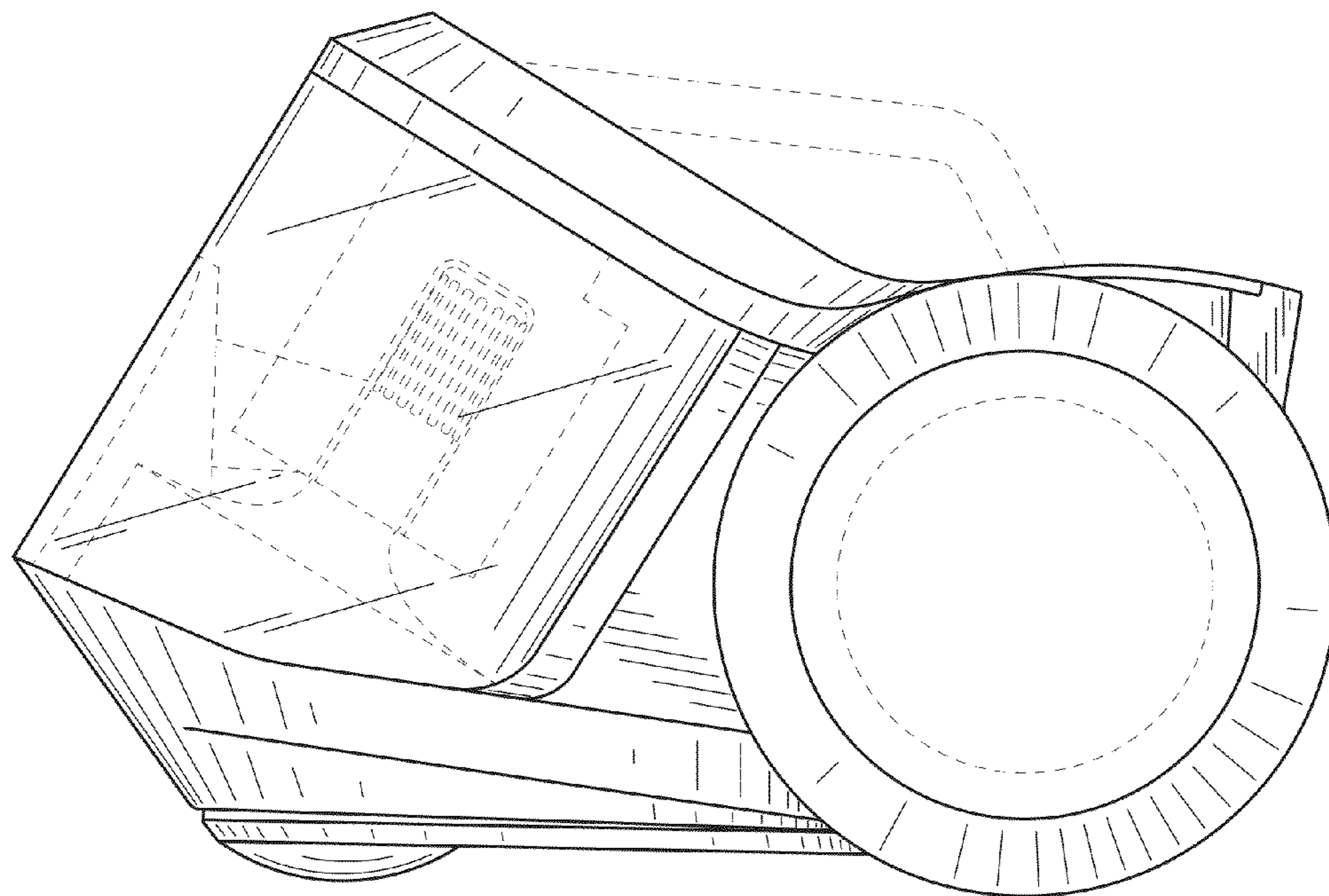


FIG. 1



**FIG. 2**



**FIG. 3**

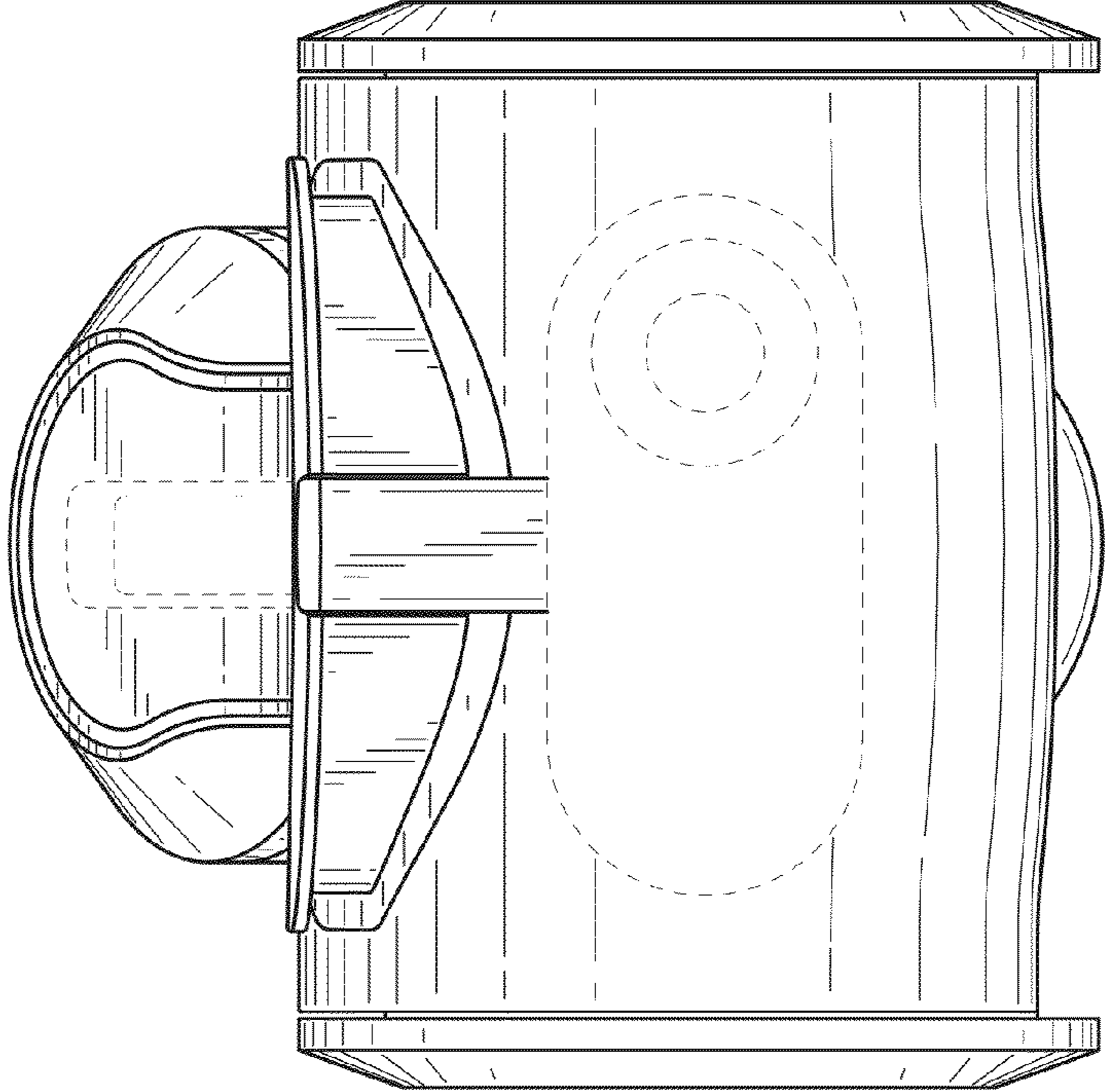


FIG. 5

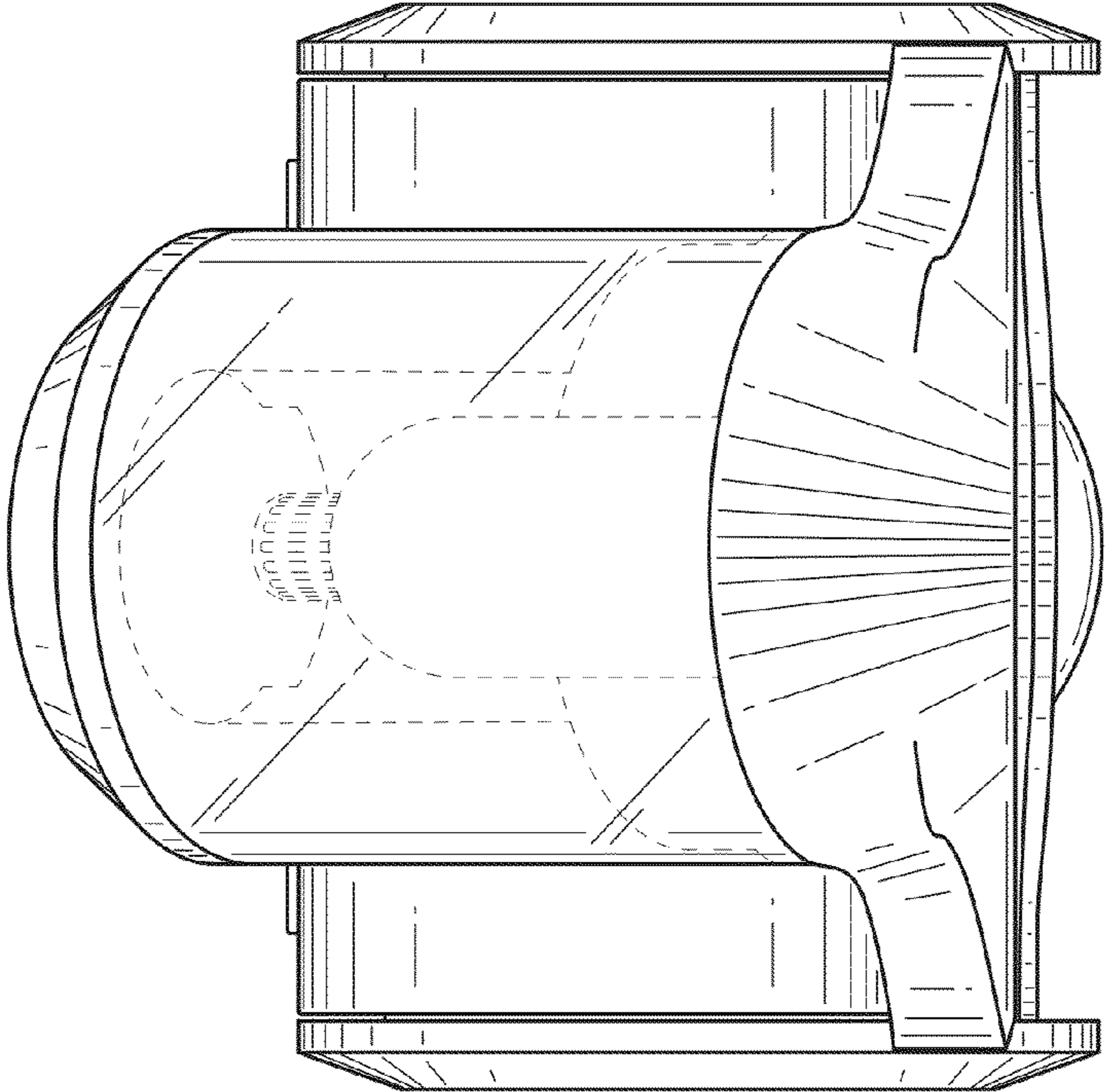


FIG. 4

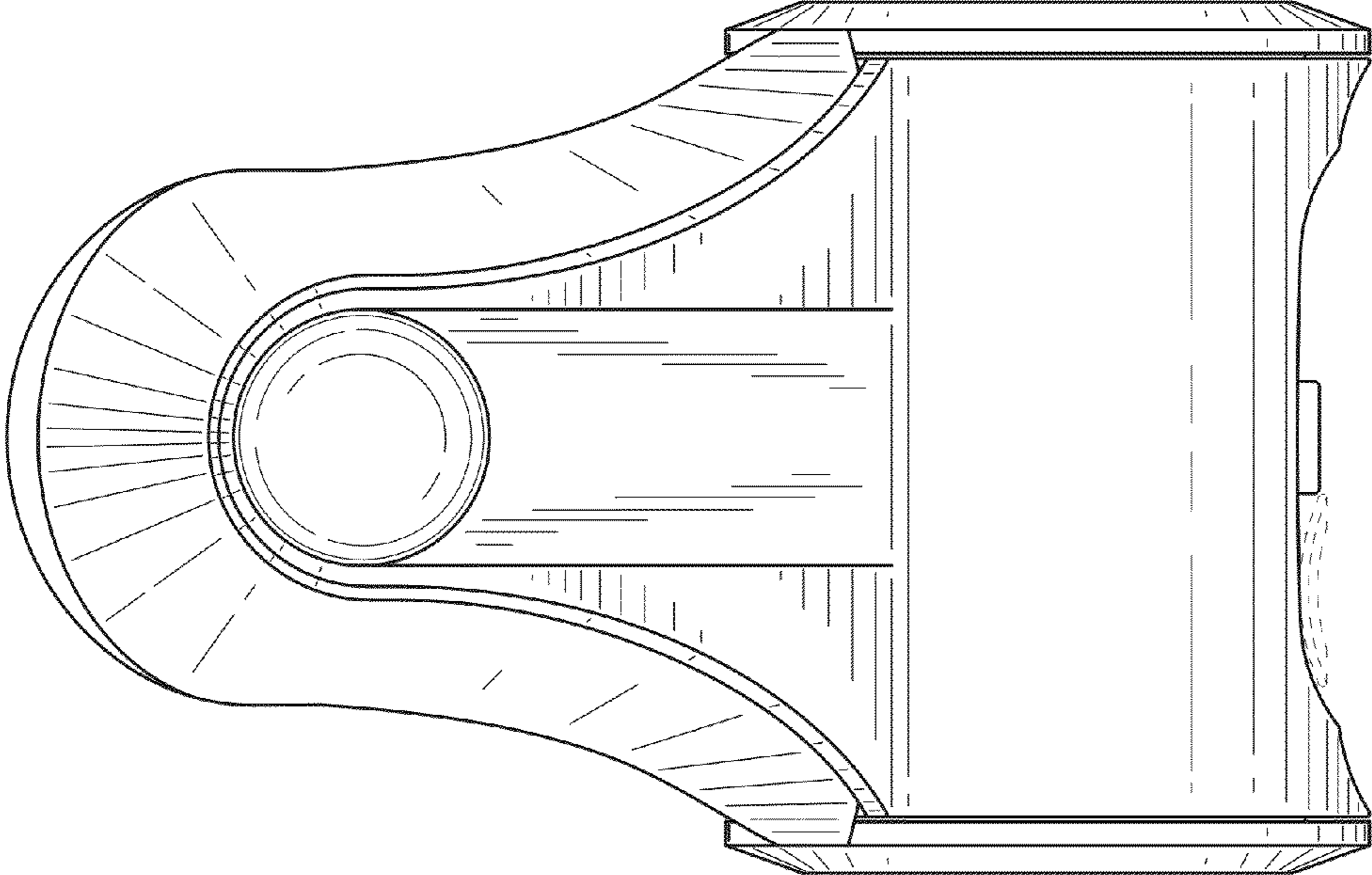


FIG. 7

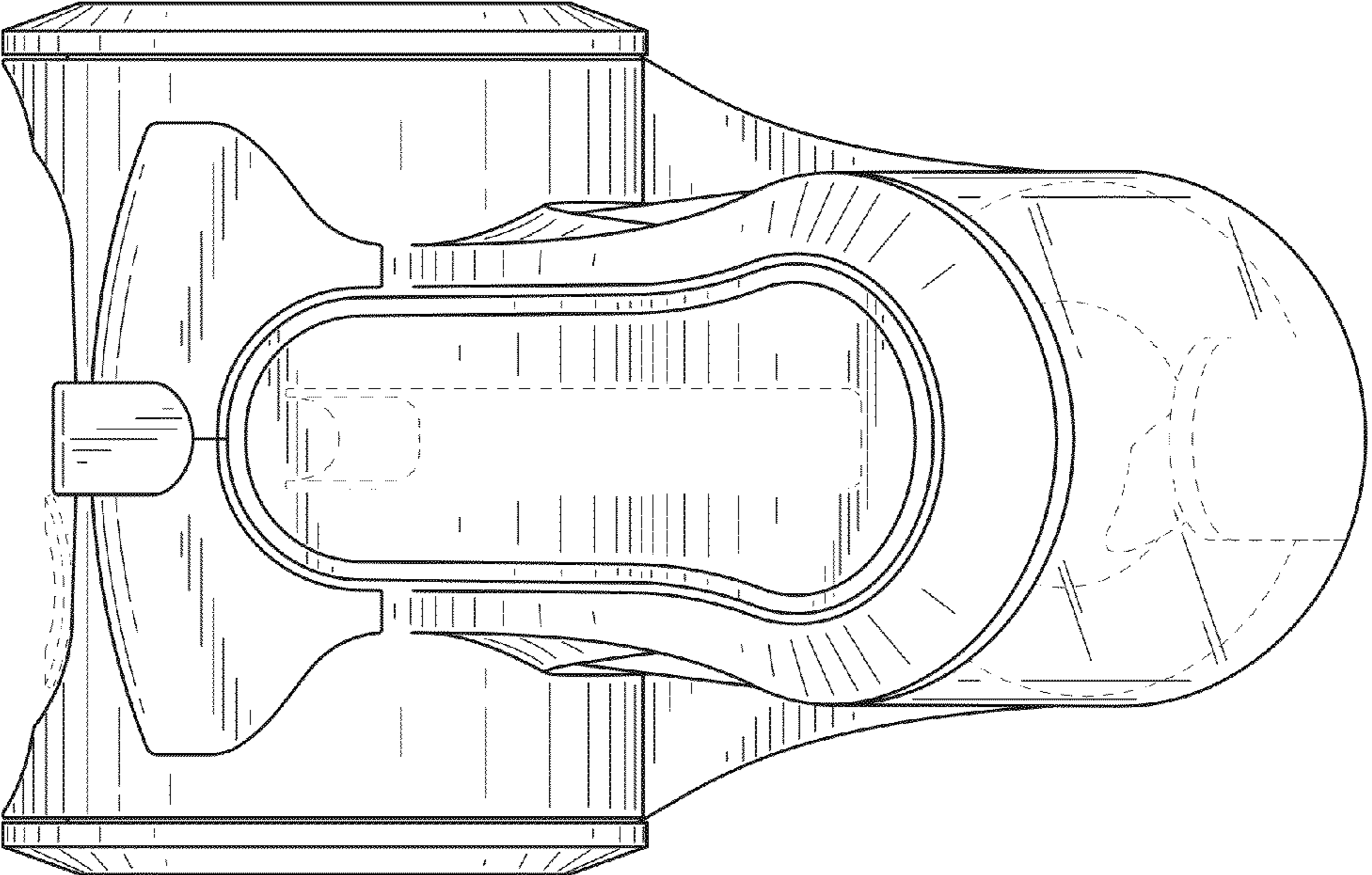


FIG. 6