

US00D730599S

(12) **United States Design Patent**  
**Uim et al.**

(10) **Patent No.:** **US D730,599 S**  
(45) **Date of Patent:** **\*\* May 26, 2015**

(54) **CLEANER**

- (71) Applicant: **Samsung Electronics Co., Ltd.**,  
Suwon-si, Gyeonggi-do (KR)
- (72) Inventors: **Dong-Hyuk Uim**, Seoul (KR);  
**Kyung-Tae Kim**, Seoul (KR);  
**Min-Hyok Bu**, Seoul (KR)
- (73) Assignee: **SAMSUNG ELECTRONICS CO., LTD.** (KR)

(\*\*) Term: **14 Years**

(21) Appl. No.: **29/491,317**

(22) Filed: **May 20, 2014**

(30) **Foreign Application Priority Data**

Nov. 20, 2013 (KR) ..... 30-2013-0058369

(51) **LOC (10) Cl.** ..... **15-05**

(52) **U.S. Cl.**  
USPC ..... **D32/18**

(58) **Field of Classification Search**  
USPC ..... D32/17, 18, 31, 21, 23-24; 15/344,  
15/329, 347, 327.1, 327.2, 327.7,  
15/352-353; 55/337, 429, 345, DIG. 3  
See application file for complete search history.

(56) **References Cited**

**U.S. PATENT DOCUMENTS**

D528,253 S *	9/2006	Wu et al.	.....	D32/18
D664,726 S *	7/2012	McCarthy et al.	.....	D32/18
D703,890 S *	4/2014	Shin et al.	.....	D32/18

**OTHER PUBLICATIONS**

Hoover Continuum CO180B2 Hand Held Vacuum Cleaner With All Floors Converter—18 Volt, retrieved from Internet: “http://www.amazon.co.uk/Hoover-Continuum-CO180B2-Cleaner-Converter/dp/B99Dy6U3XG”, retrieved on Aug. 19, 2014.\*  
Gtech Multi, Retrieved from Internet: “http://www.amazon.com/dp/B00LZZ3G5U?psc=1”, retrieved on Aug. 19, 2014.\*  
Tabletop Handheld Vacuum Cleaner, retrieved from Internet: “http://gadgets.in.com/tabletop-handheld-vacuum-cleaner.htm”, retrieved on Aug. 19, 2014.\*

\* cited by examiner

*Primary Examiner* — Ruth McInroy

(74) *Attorney, Agent, or Firm* — Cantor Colburn LLP

(57) **CLAIM**

The ornamental design for a cleaner, as shown and described.

**DESCRIPTION**

FIG. 1 is a perspective view of a cleaner, showing our new design;  
FIG. 2 is a front elevation view thereof;  
FIG. 3 is a rear elevation view thereof;  
FIG. 4 is a side elevation view thereof;  
FIG. 5 is a another side elevation view thereof;  
FIG. 6 is a top plan view thereof;  
FIG. 7 is a bottom plan view thereof;  
FIG. 8 is a perspective view showing the handle in an extended position; and,  
FIG. 9 is a rear perspective view of FIG. 8.  
The broken lines are for environmental purpose only and form no part of the claimed design.

**1 Claim, 9 Drawing Sheets**

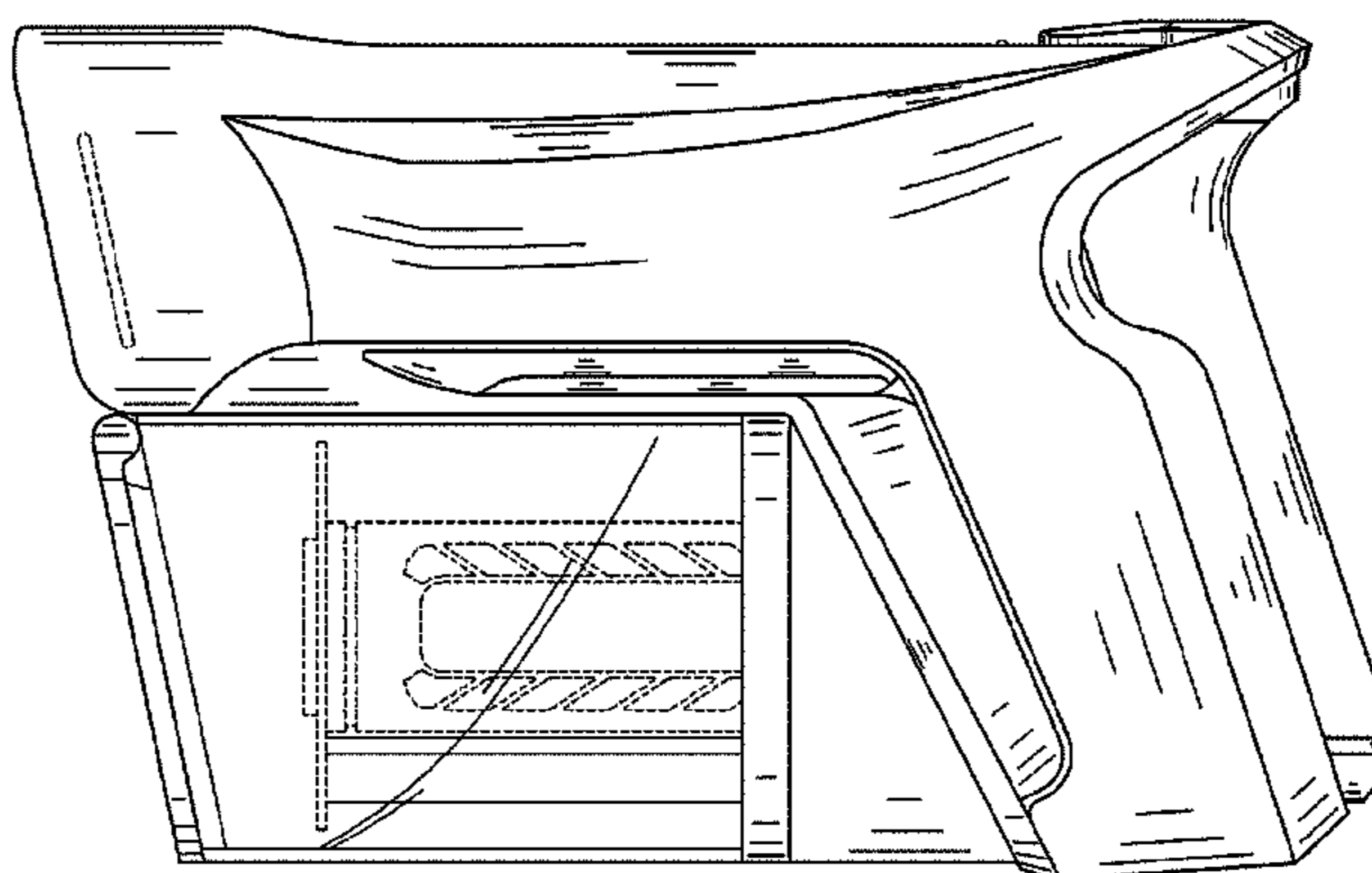
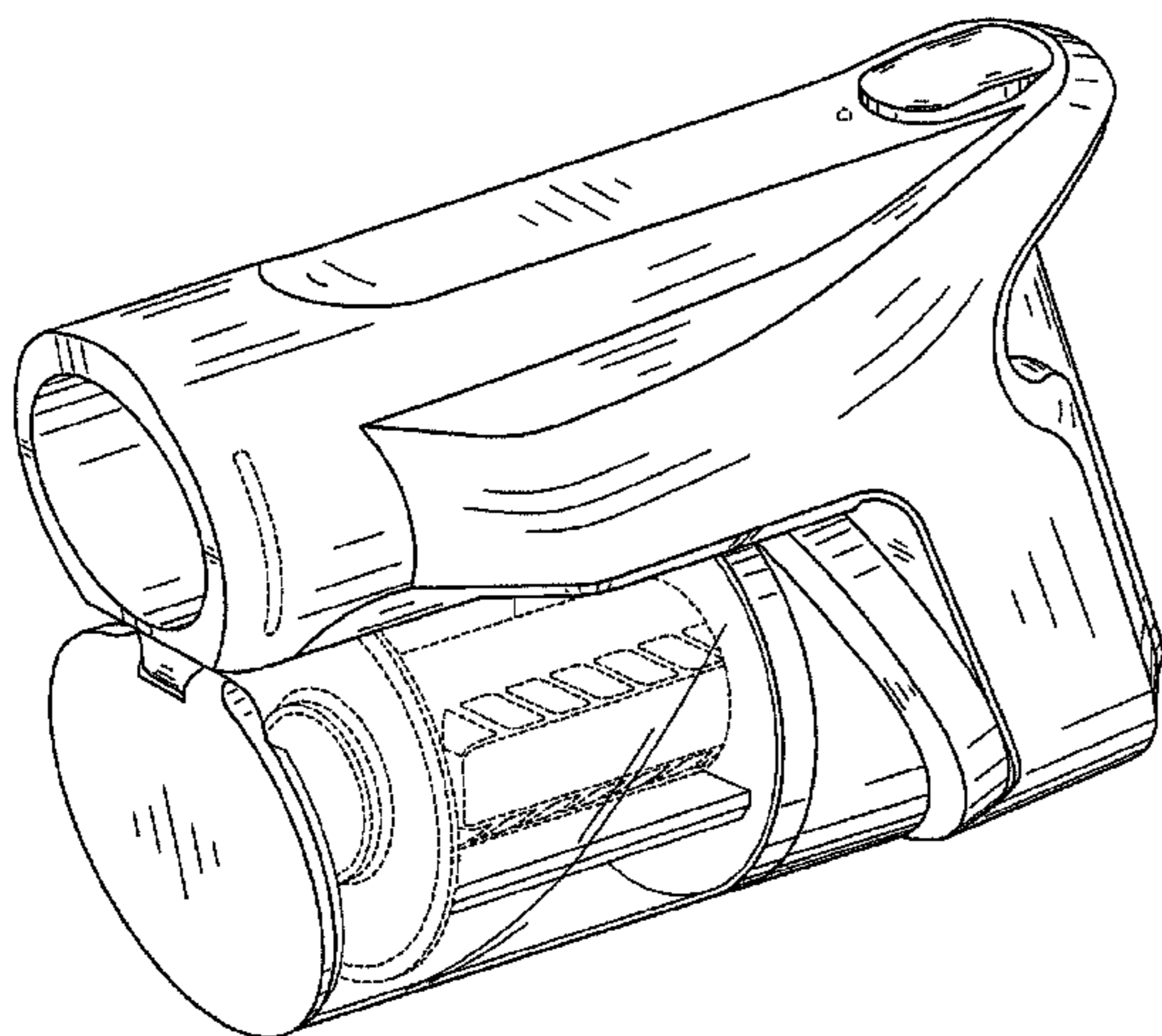


FIG. 1

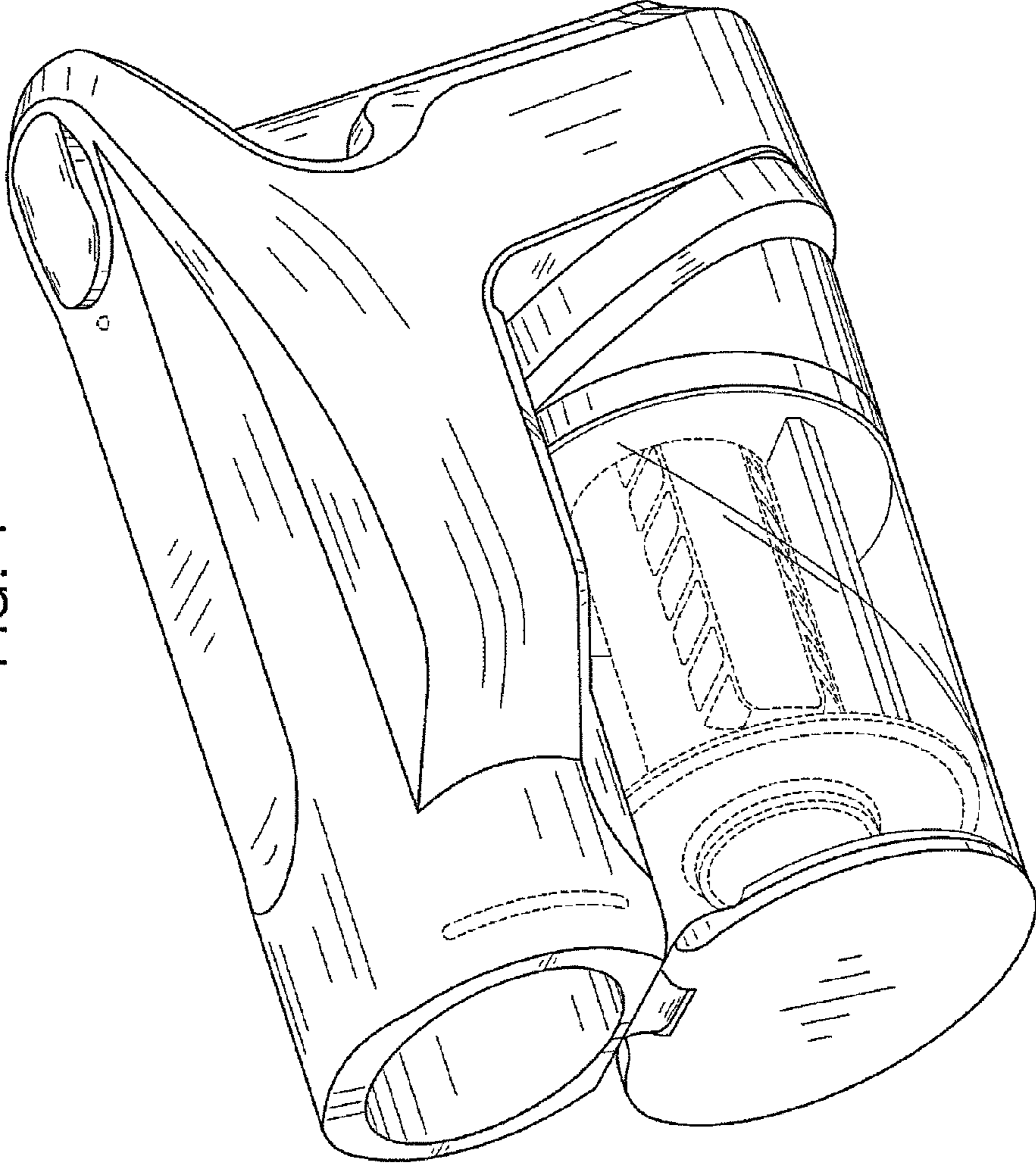


FIG. 2

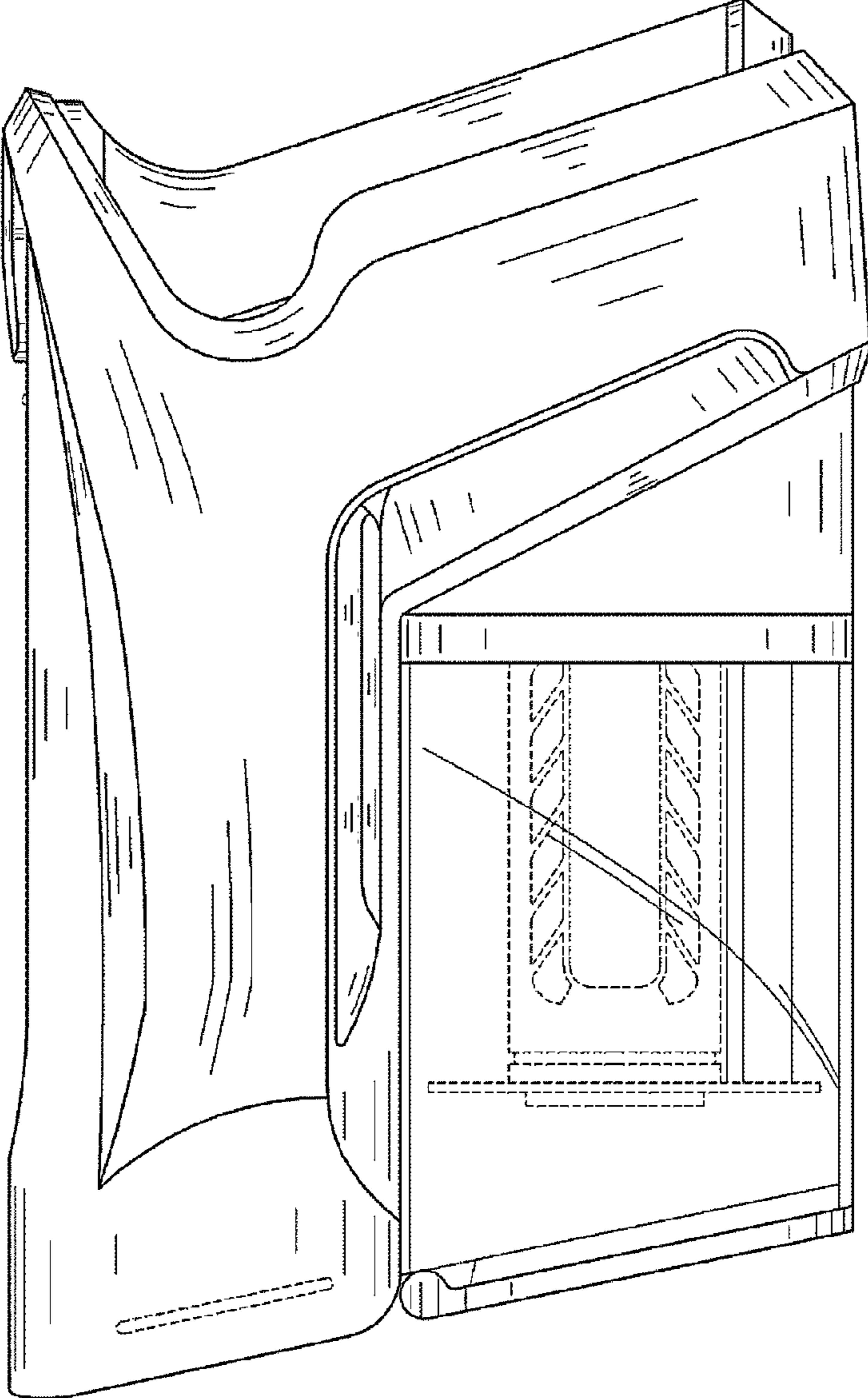


FIG. 3

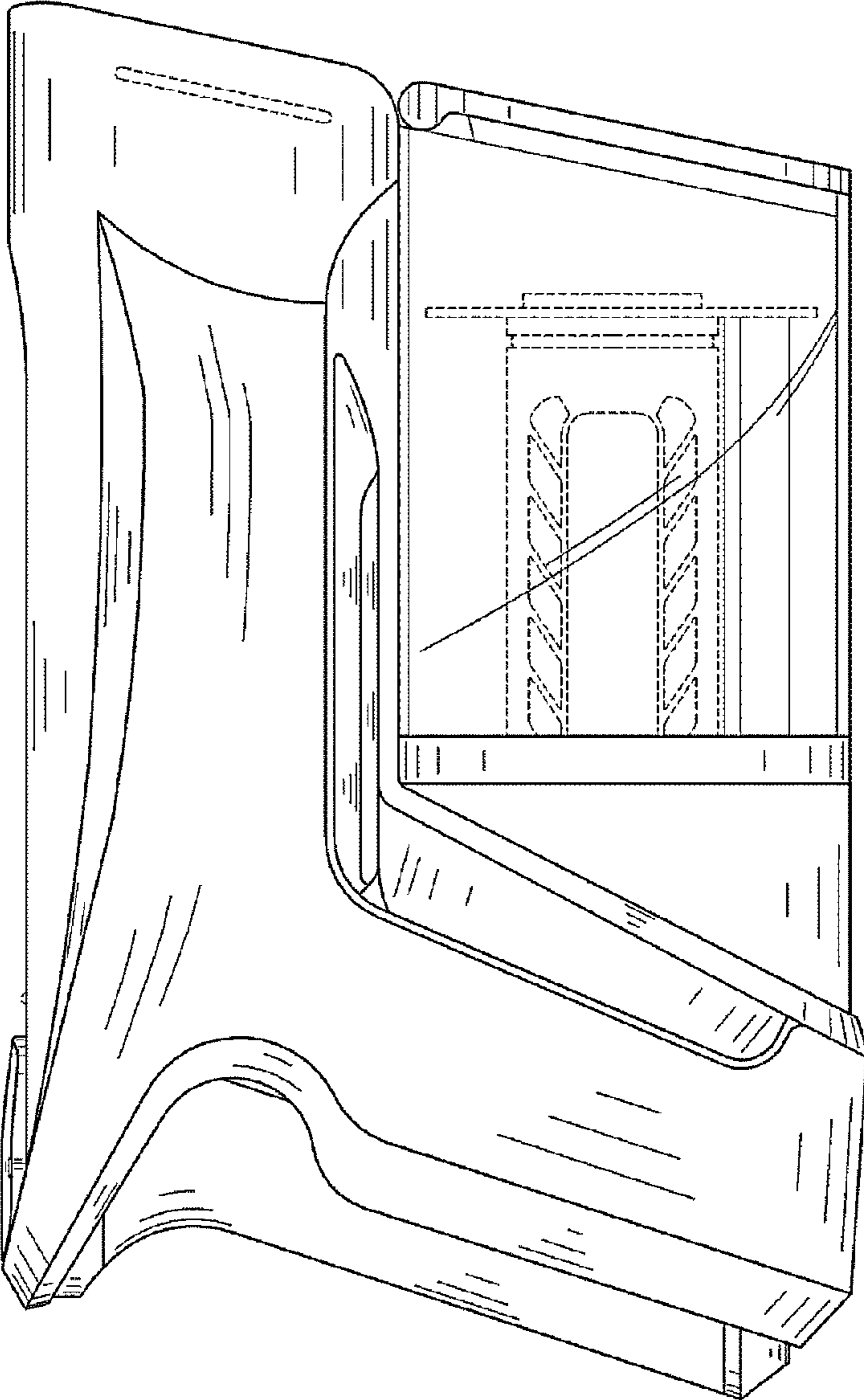


FIG. 4

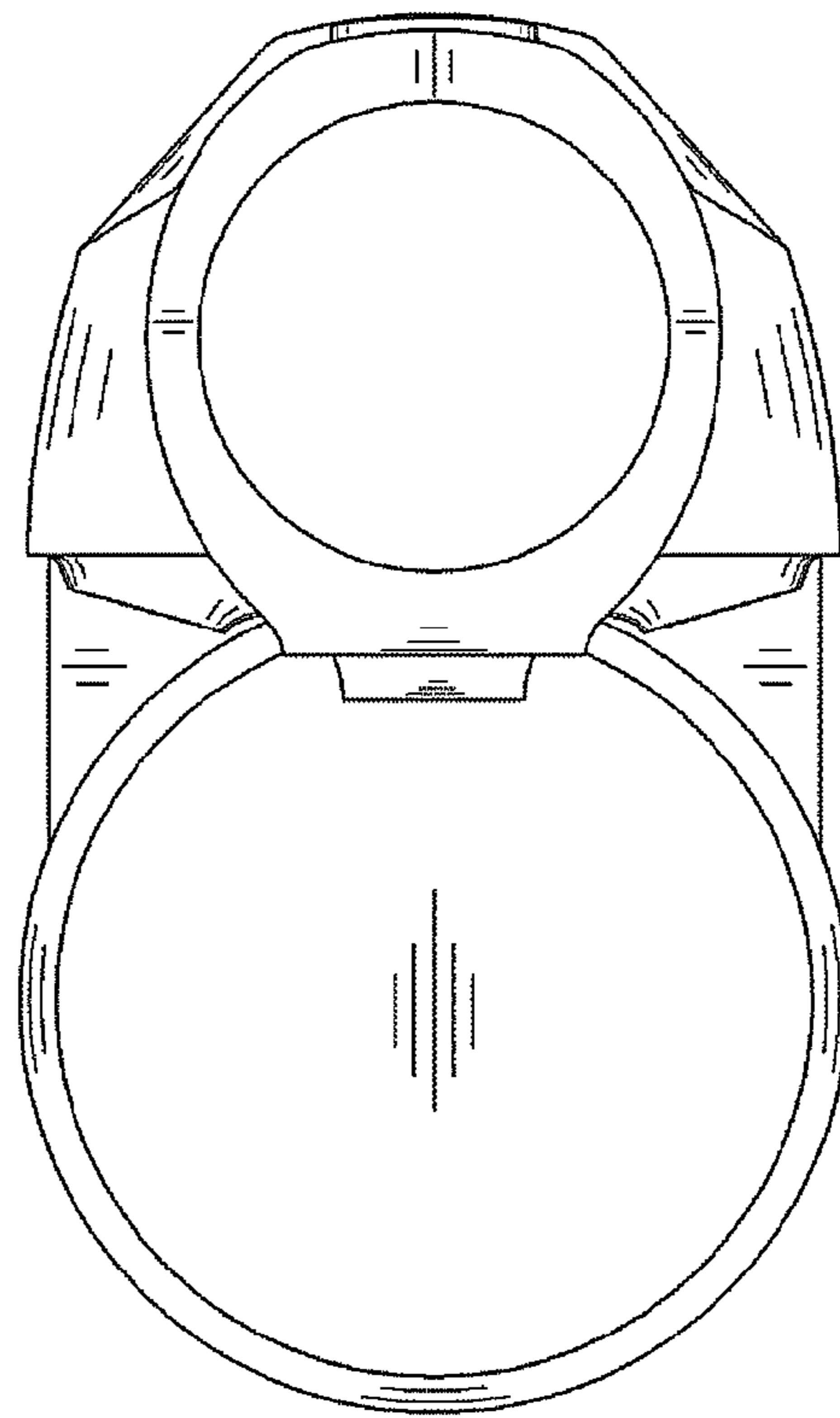


FIG. 5

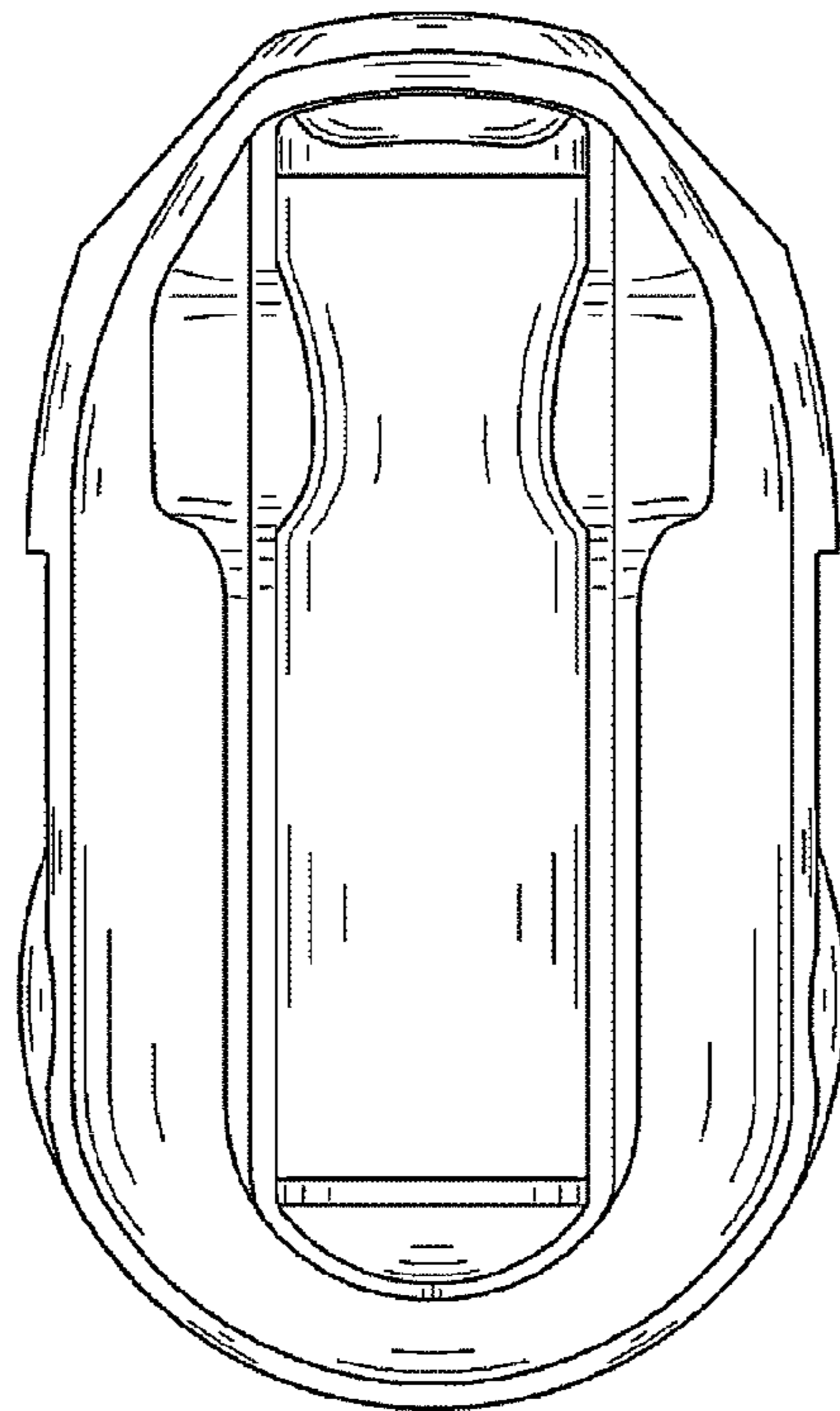


FIG. 6

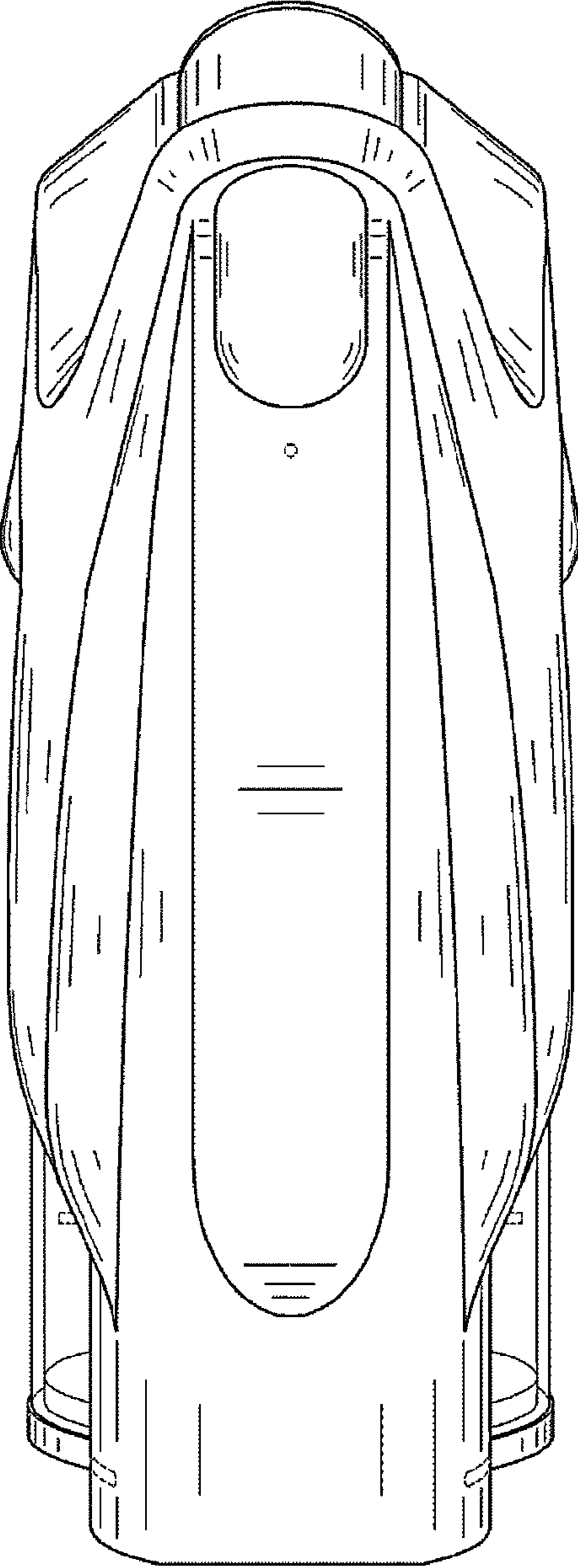


FIG. 7

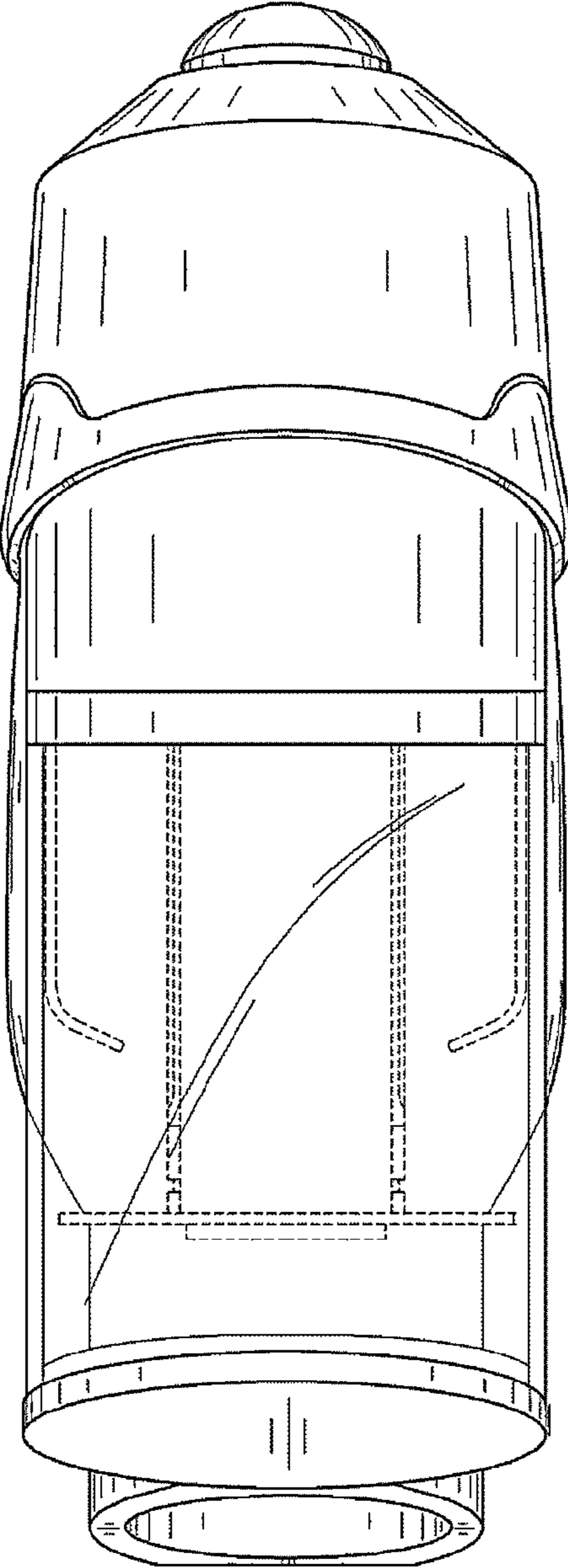




FIG. 8

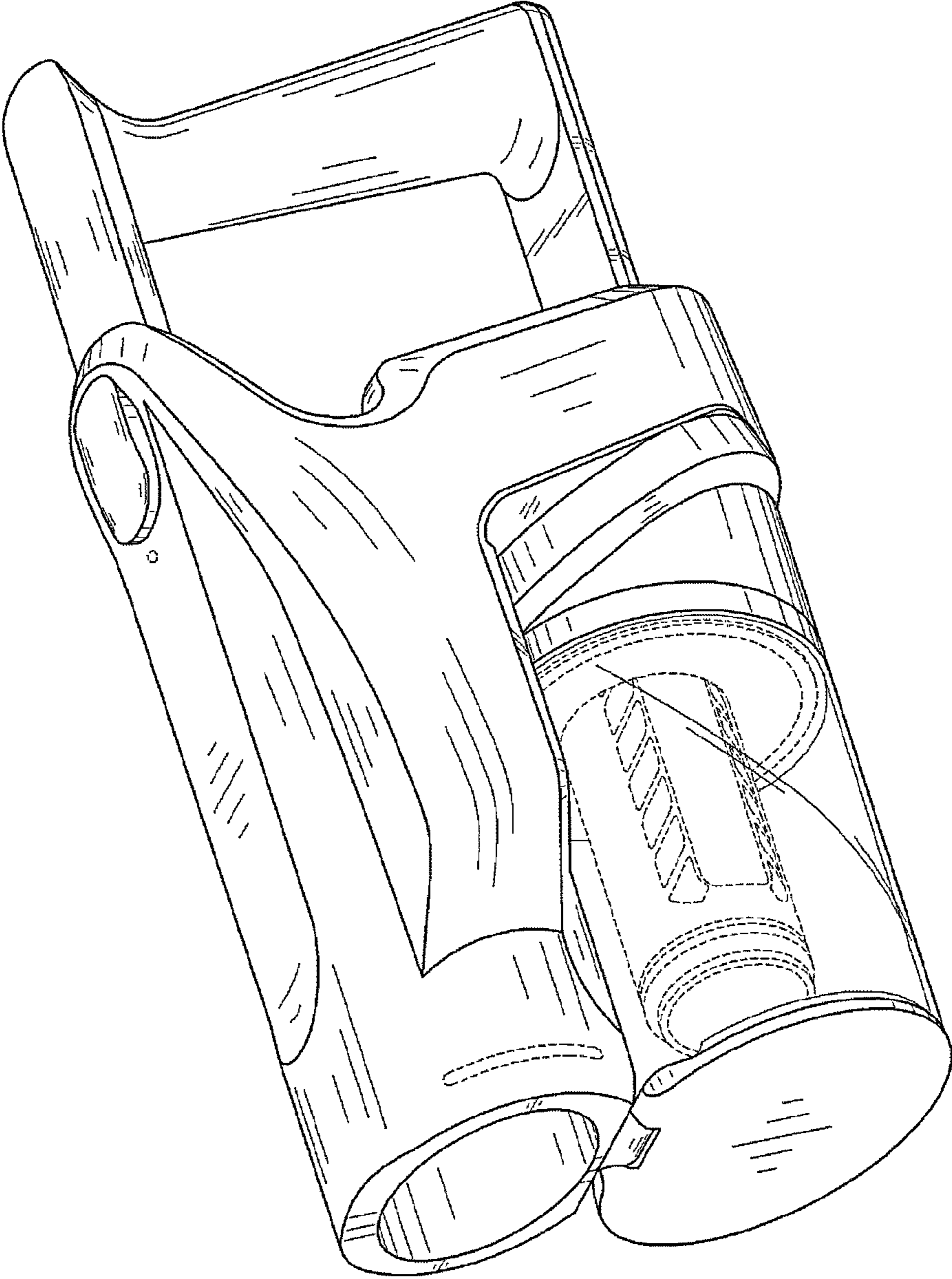


FIG. 9

