



US00D730598S

(12) **United States Design Patent**
Meyer et al.

(10) **Patent No.:** **US D730,598 S**

(45) **Date of Patent:** **** May 26, 2015**

(54) **HIGH-PRESSURE CLEANER**

(71) Applicant: **Alfred Kaercher GmbH & Co. KG**,
Winnenden (DE)

(72) Inventors: **Michael Meyer**, Schwaikheim (DE);
Christian Rummel, Benningen am
Neckar (DE)

(73) Assignee: **Alfred Kaercher GmbH & Co. KG**,
Winnenden (DE)

(**) Term: **14 Years**

(21) Appl. No.: **29/447,217**

(22) Filed: **Mar. 1, 2013**

(30) **Foreign Application Priority Data**

Sep. 4, 2012 (WO) DM/079 048

(51) **LOC (10) Cl.** **15-05**

(52) **U.S. Cl.**
USPC **D32/15**

(58) **Field of Classification Search**
USPC D32/1, 21, 9, 15; D15/7; D7/605, 607,
D7/606; D23/15, 215

See application file for complete search history.

(56) **References Cited**

U.S. PATENT DOCUMENTS

D340,556 S	*	10/1993	Berfield et al.	D32/1
D341,008 S	*	11/1993	Berfield et al.	D32/1
D341,009 S	*	11/1993	Berfield et al.	D32/1
D354,753 S	*	1/1995	Turner et al.	D15/7
D366,599 S	*	1/1996	Brown et al.	D7/605
D383,573 S	*	9/1997	Saunders	D32/21
D417,126 S	*	11/1999	Arnfelt	D7/605
D451,766 S	*	12/2001	King et al.	D7/605
D464,180 S	*	10/2002	Chen	D32/9
D467,468 S	*	12/2002	Krieger et al.	D7/605
D471,330 S	*	3/2003	Campbell	D32/21

D475,251 S	*	6/2003	Crandall et al.	D7/607
D482,429 S	*	11/2003	Duncan et al.	D23/215
D482,756 S	*	11/2003	Duncan et al.	D23/215
D484,004 S	*	12/2003	Lee	D7/605
D496,764 S	*	9/2004	Lopano	D32/21
D506,042 S	*	6/2005	Griffin et al.	D32/21
D507,386 S	*	7/2005	Griffin et al.	D32/21

(Continued)

FOREIGN PATENT DOCUMENTS

CA	139377	*	10/2011
CN	301699847	*	10/2011

(Continued)

OTHER PUBLICATIONS

Cam Spray Model 1000A Hand Carry Series Electric Pressure Washer, Announced Aug. 18, 2003, [Site Visited Dec. 31, 2014]http://www.camspray.com/cam_spray_model_1000a_hand_carry_series_electric_pressure_washer-p-323.html.*

(Continued)

Primary Examiner — John Windmuller

Assistant Examiner — Luqman McNeil

(74) *Attorney, Agent, or Firm* — Lipsitz & McAllister, LLC

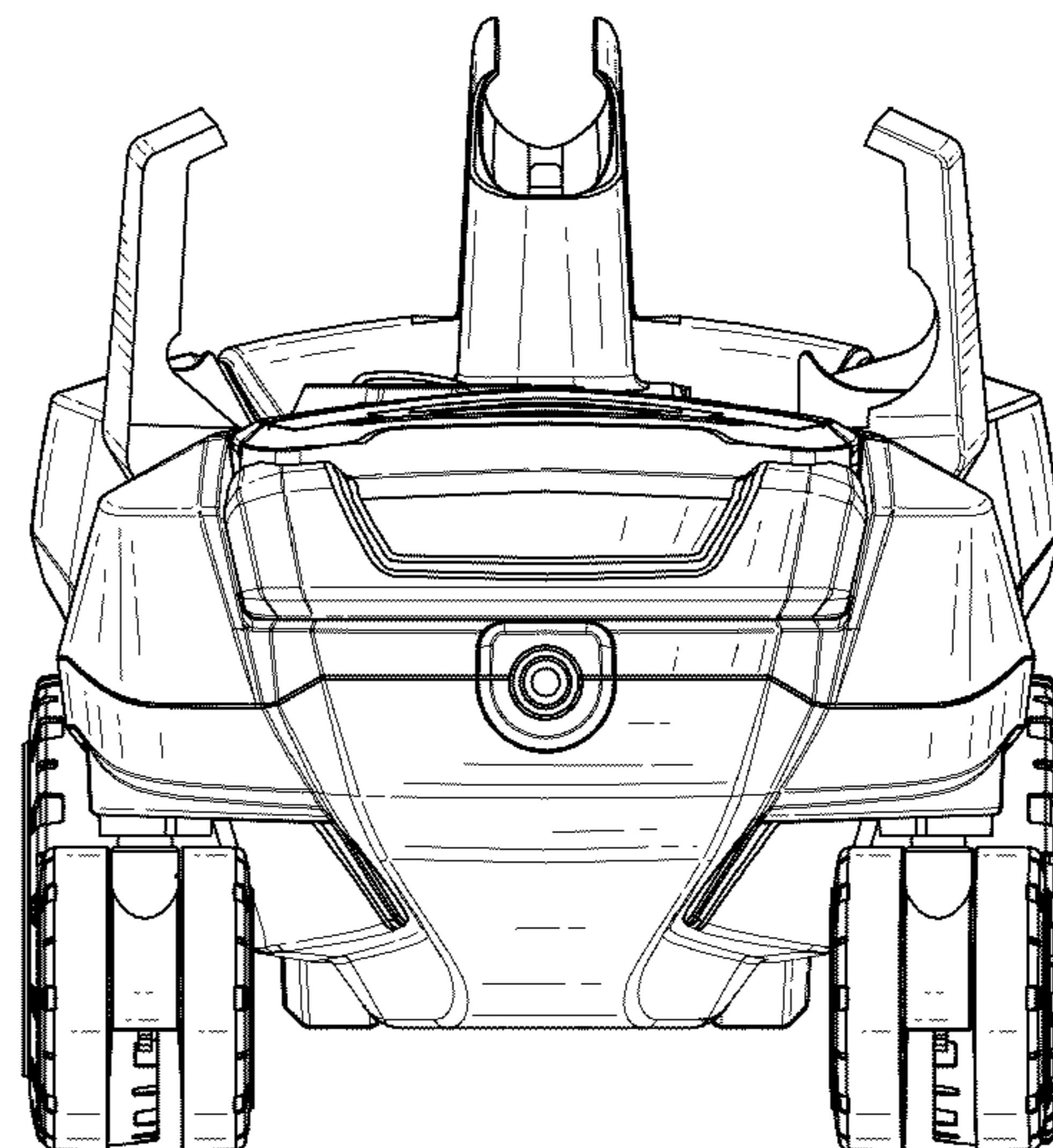
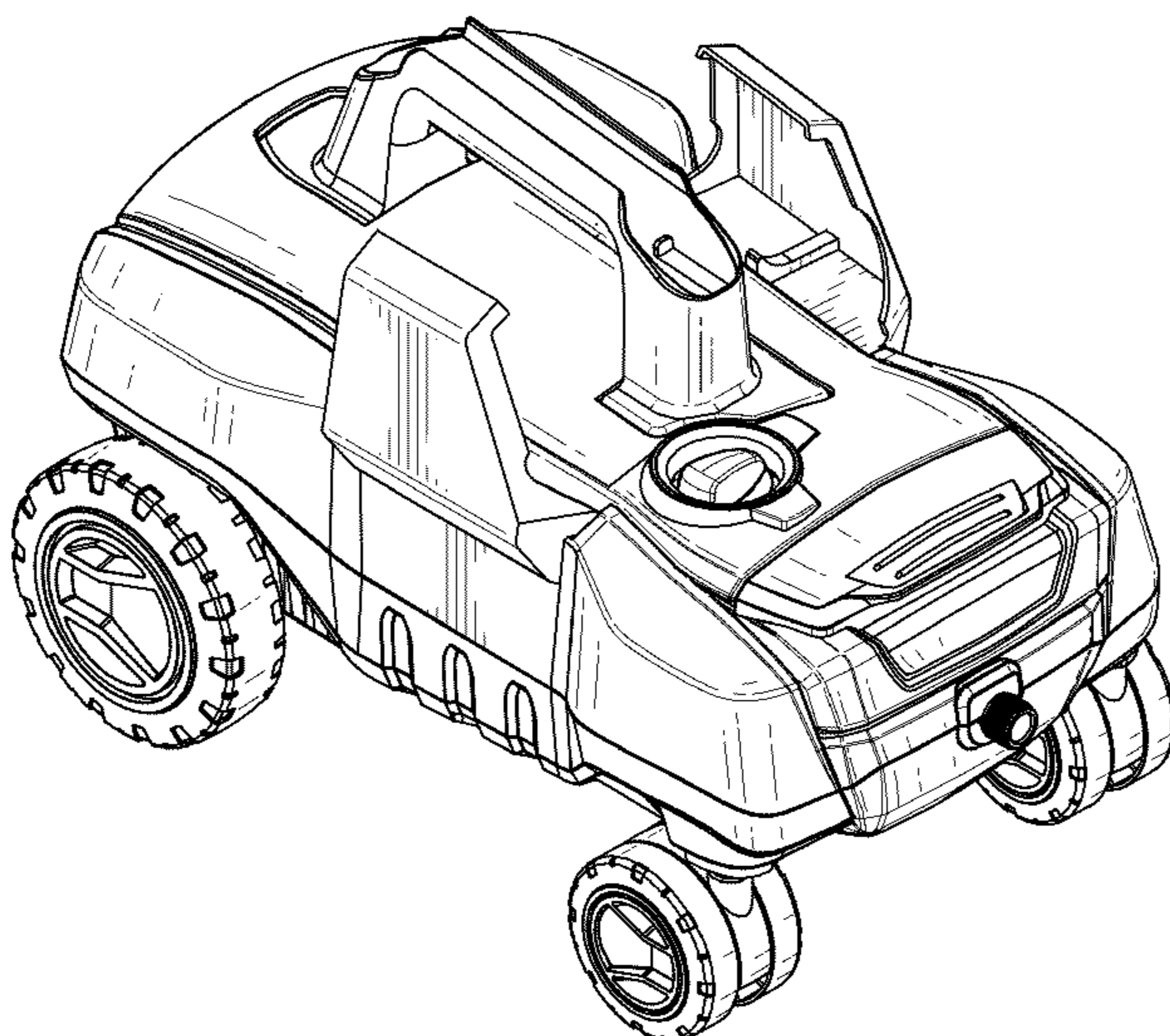
(57) **CLAIM**

The ornamental design for a high-pressure cleaner, as shown and described.

DESCRIPTION

FIG. 1 is a front, top and left side perspective view of a high-pressure cleaner showing the new design; FIG. 2 is a front, top and right side perspective view thereof; FIG. 3 is a front elevational view thereof; FIG. 4 is a left side elevational view thereof; FIG. 5 is a rear elevational view thereof; FIG. 6 is a right side elevational view thereof; and, FIG. 7 is a top plan view thereof.

1 Claim, 7 Drawing Sheets



(56)

References Cited

U.S. PATENT DOCUMENTS

D527,503	S	*	8/2006	Griffin et al.	D32/21
D530,158	S	*	10/2006	Miesieski et al.	D7/605
D551,813	S	*	9/2007	Renner	D32/15
D568,558	S	*	5/2008	Li	D32/15
D568,559	S	*	5/2008	Li	D32/15
D568,560	S	*	5/2008	Li	D32/15
D570,058	S	*	5/2008	Watson et al.	D32/1
D571,512	S	*	6/2008	Dammkoehler et al.	D32/15
D575,915	S	*	8/2008	Dreyer	D32/15
D580,114	S	*	11/2008	Rummel	D32/15
D582,217	S	*	12/2008	Libby et al.	D7/606
D588,313	S	*	3/2009	Conner et al.	D32/15
D630,390	S	*	1/2011	Meyer	D32/15
D634,903	S	*	3/2011	Wise	D32/15
D647,256	S	*	10/2011	Alexander et al.	D32/15
D648,493	S	*	11/2011	Alexander et al.	D32/15

FOREIGN PATENT DOCUMENTS

DE	102008012358	2/2009
DE	102008012357	3/2009

OTHER PUBLICATIONS

Electric Pressure Washer (LT-590)—Lutian, Announced Dec. 12, 2010, [Site Visited Dec. 31, 2014][http://www.chinalutian.com/products/Electric-Pressure-Washer-Series/Electric-Pressure-Washer\(LT-590\).htm](http://www.chinalutian.com/products/Electric-Pressure-Washer-Series/Electric-Pressure-Washer(LT-590).htm).*

Extract from catalog of Alfred Kaercher GmbH & Co. KG, “Programme 2007”, cover, pp. 20-31, 90-99 and last page (Jan. 2007).

Extract from catalog of Alfred Kaercher GmbH & Co. KG, “Programme 2008”, cover, pp. 19, 21-33, 95-103 and last page (Dec. 2007).

Extract from catalog of Alfred Kaercher GmbH & Co. KG, “Programme 2009 Kaercher Professional Commercial”, cover, pp. 10-17 and last page (Mar. 2009).

Extract from catalog of Alfred Kaercher GmbH & Co. KG, “Programme 2009 Kaercher Residential”, cover, pp. 10-27 and last page (Mar. 2009).

Extract from catalog of Alfred Kaercher GmbH & Co. KG, “Programme 2010 Kaercher Home & Garden”, cover, pp. 10-24 and last page (Nov. 2009).

Extract from catalog of Alfred Kaercher GmbH & Co. KG, “Programme 2010 Kaercher Professional”, cover, pp. 10-18, 21, 25 and last page (Nov. 2009).

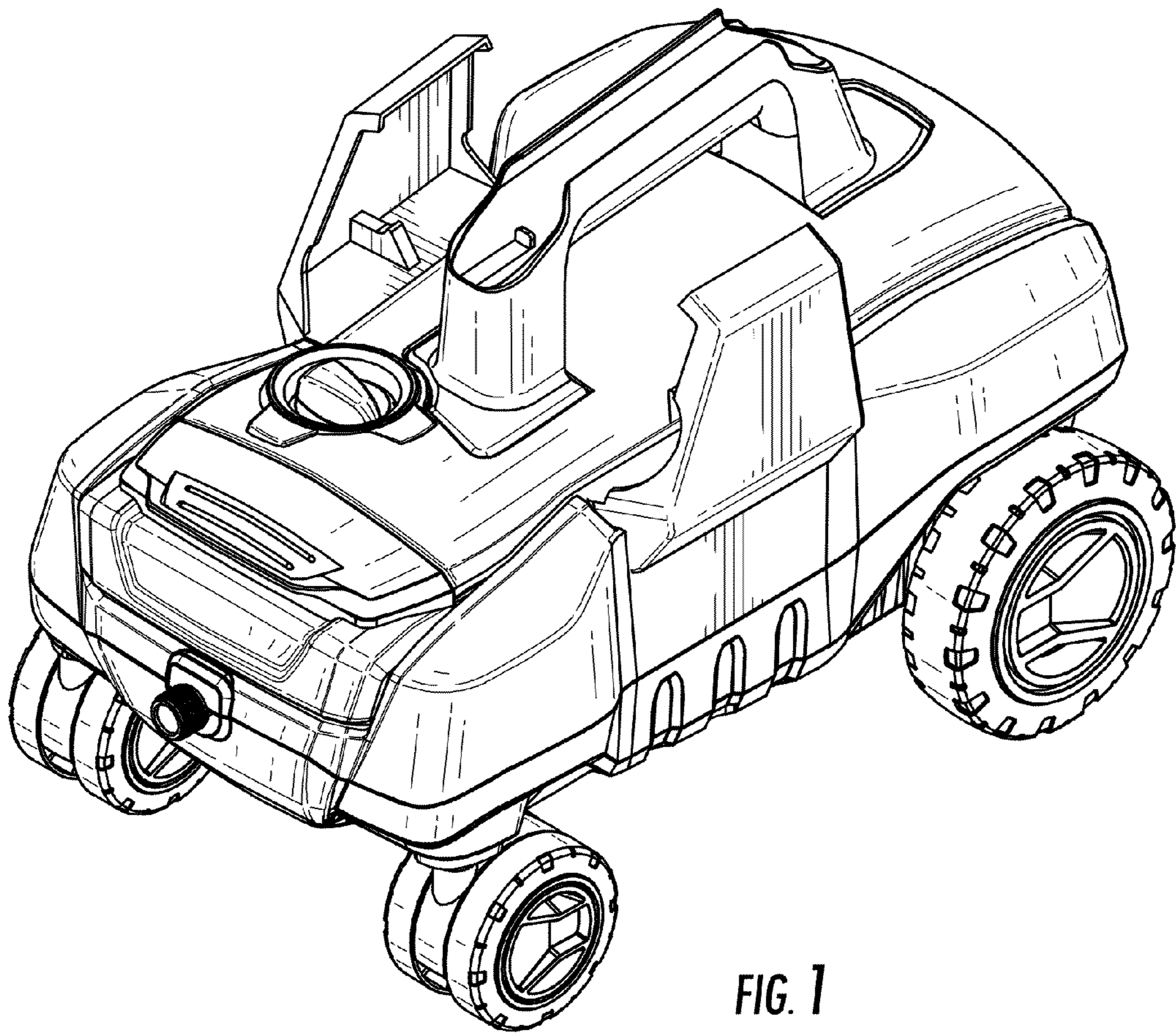
Extract from catalog of Alfred Kaercher GmbH & Co. KG, “Programme 2011 Kaercher Home & Garden”, cover, pp. 12-31 and last page (Nov. 2010).

Extract from catalog of Alfred Kaercher GmbH & Co. KG, “Programme 2011 Kaercher Professional”, cover, pp. 12-19, 24, 26, 27 and last page (Nov. 2010).

Extract from catalog of Alfred Kaercher GmbH & Co. KG, “Programme 2012 Kaercher Home & Garden”, cover, pp. 14, 15, 17, 20-41 and last page (Oct. 2011).

Extract from catalog of Alfred Kaercher GmbH & Co. KG, “Programme 2012 Kaercher Professional”, cover, pp. 12, 14, 16, 18, 20-25, 28, 30, 32, 34-36, 38, 40-42, 44 and last page (Nov. 2011).

* cited by examiner



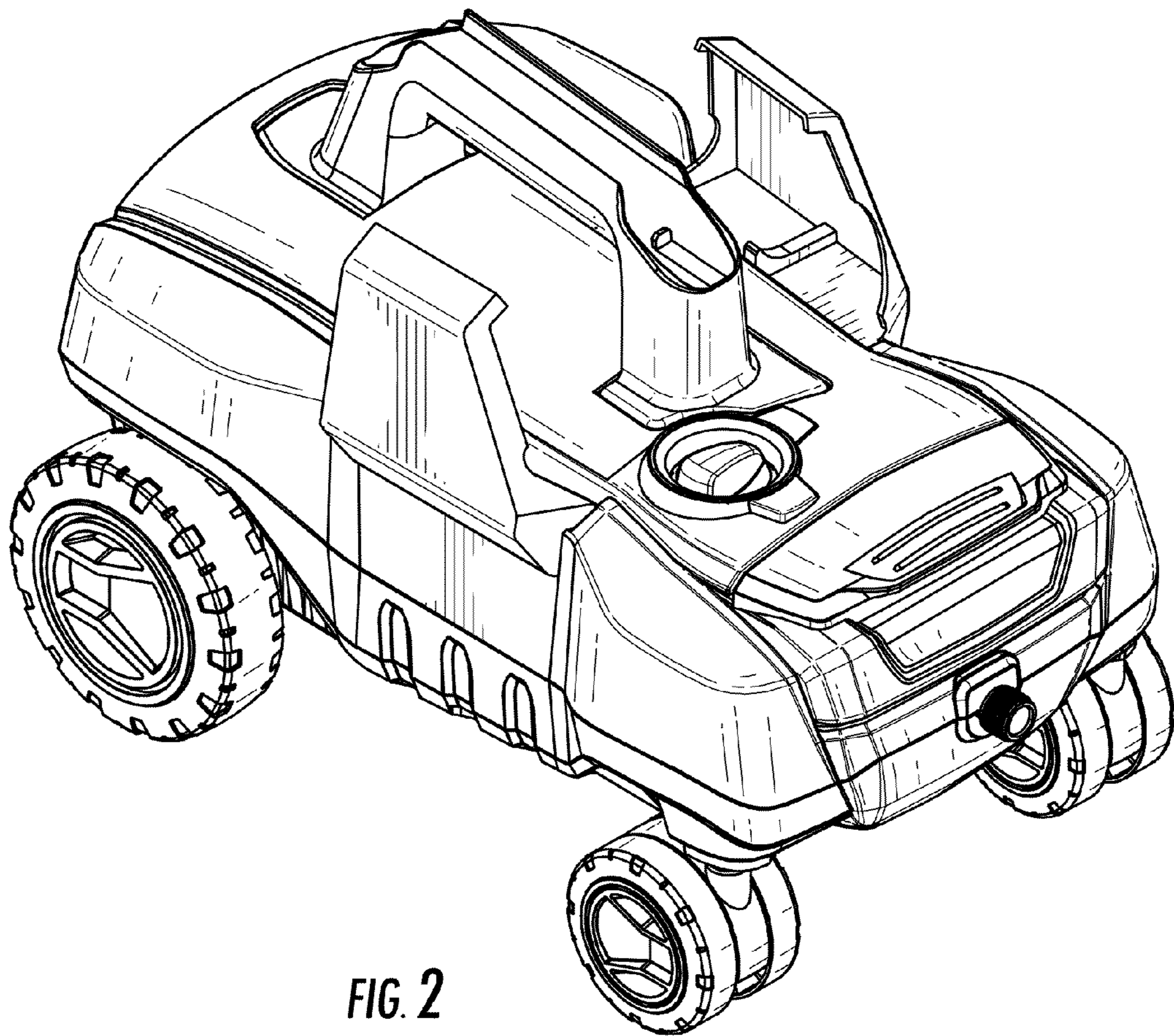


FIG. 2

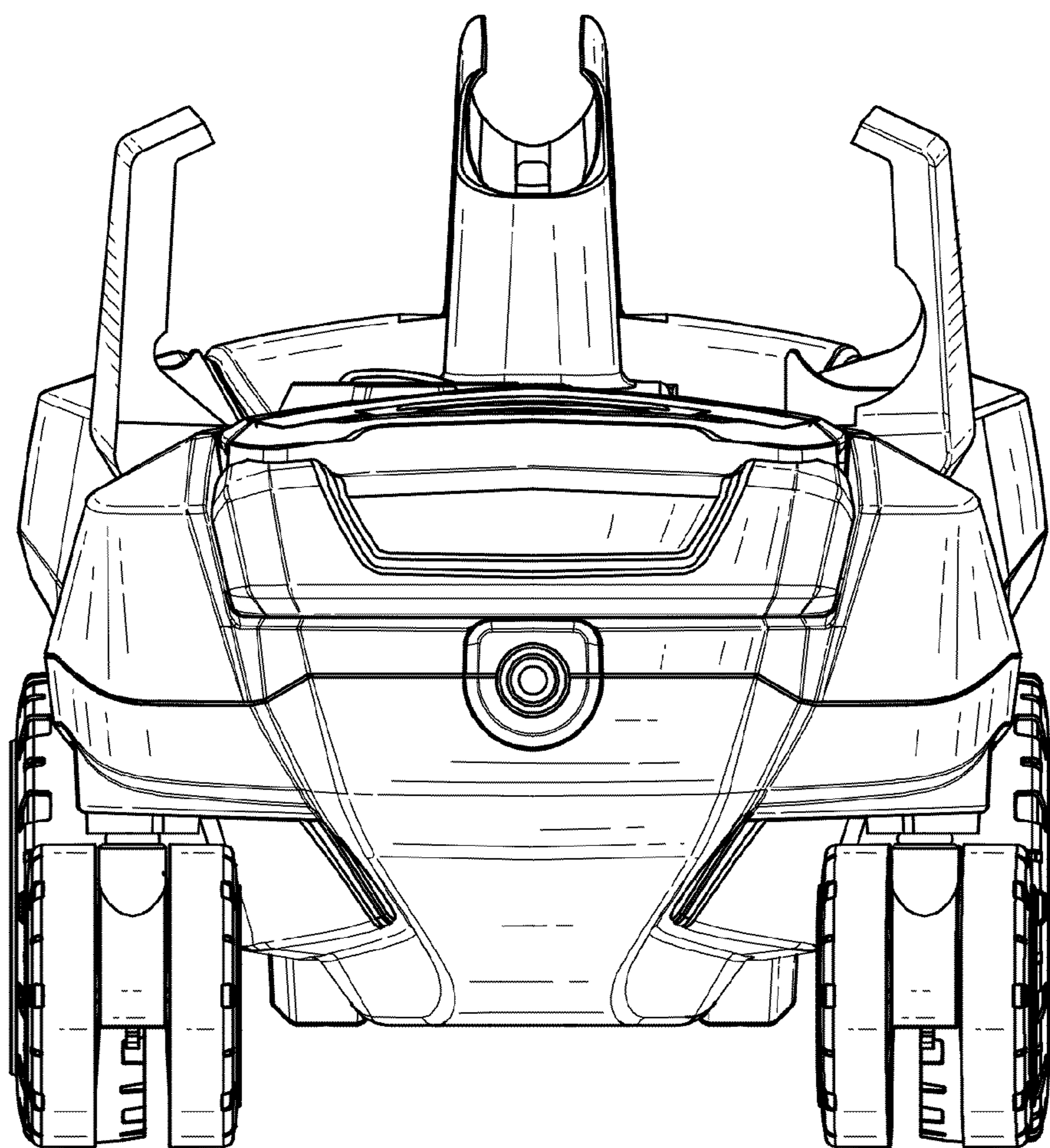


FIG. 3

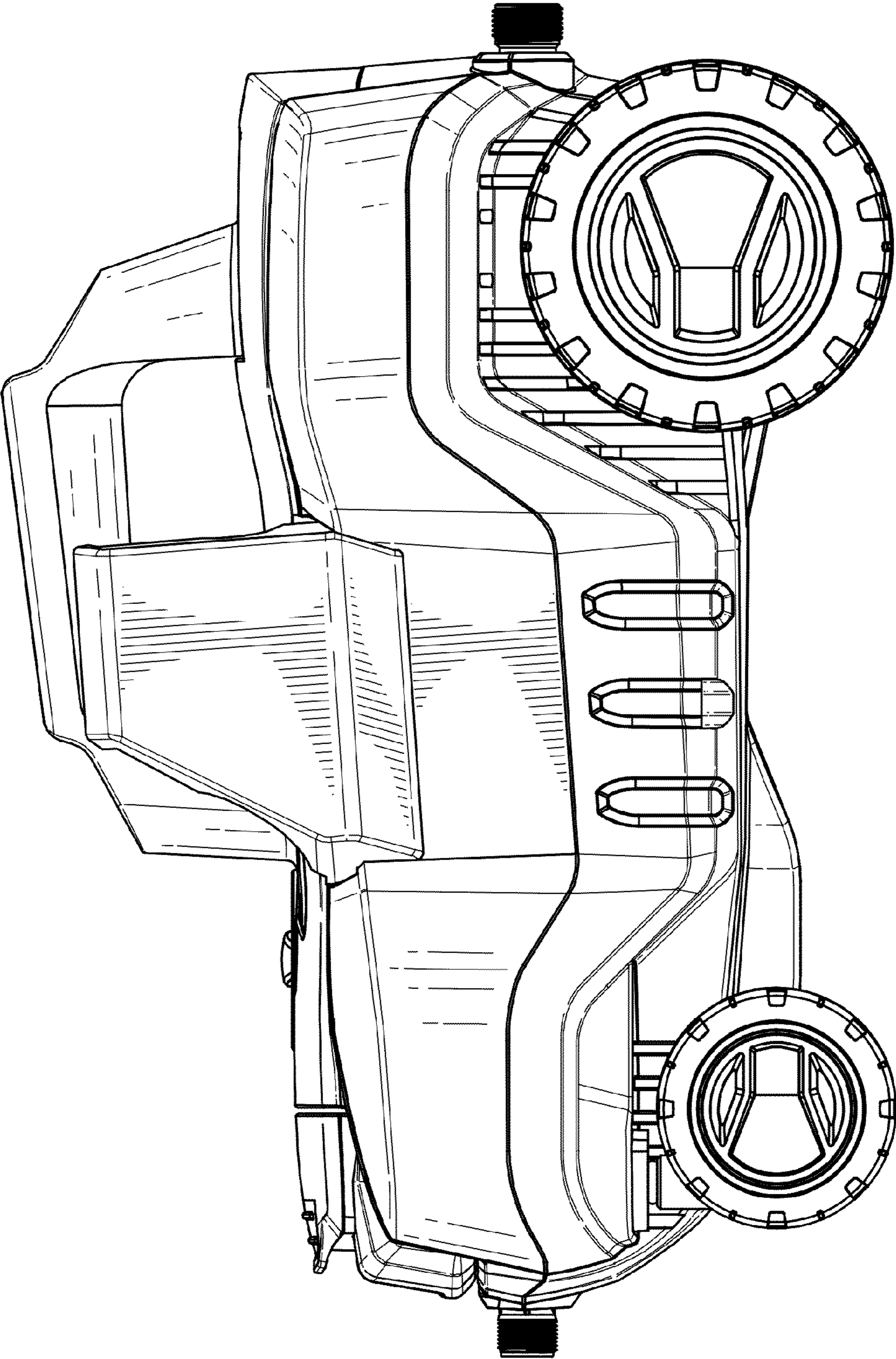


FIG. 4

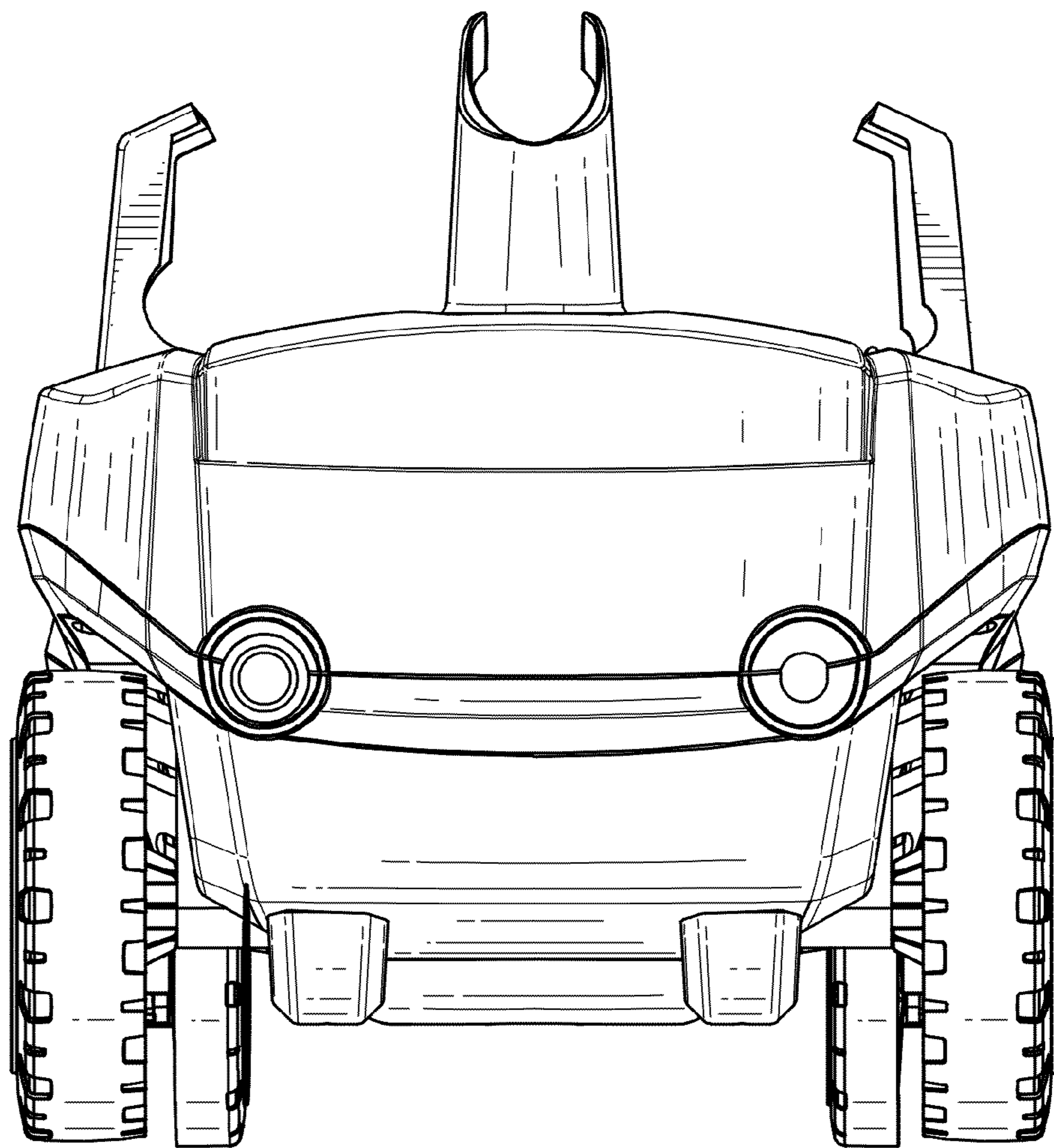


FIG. 5

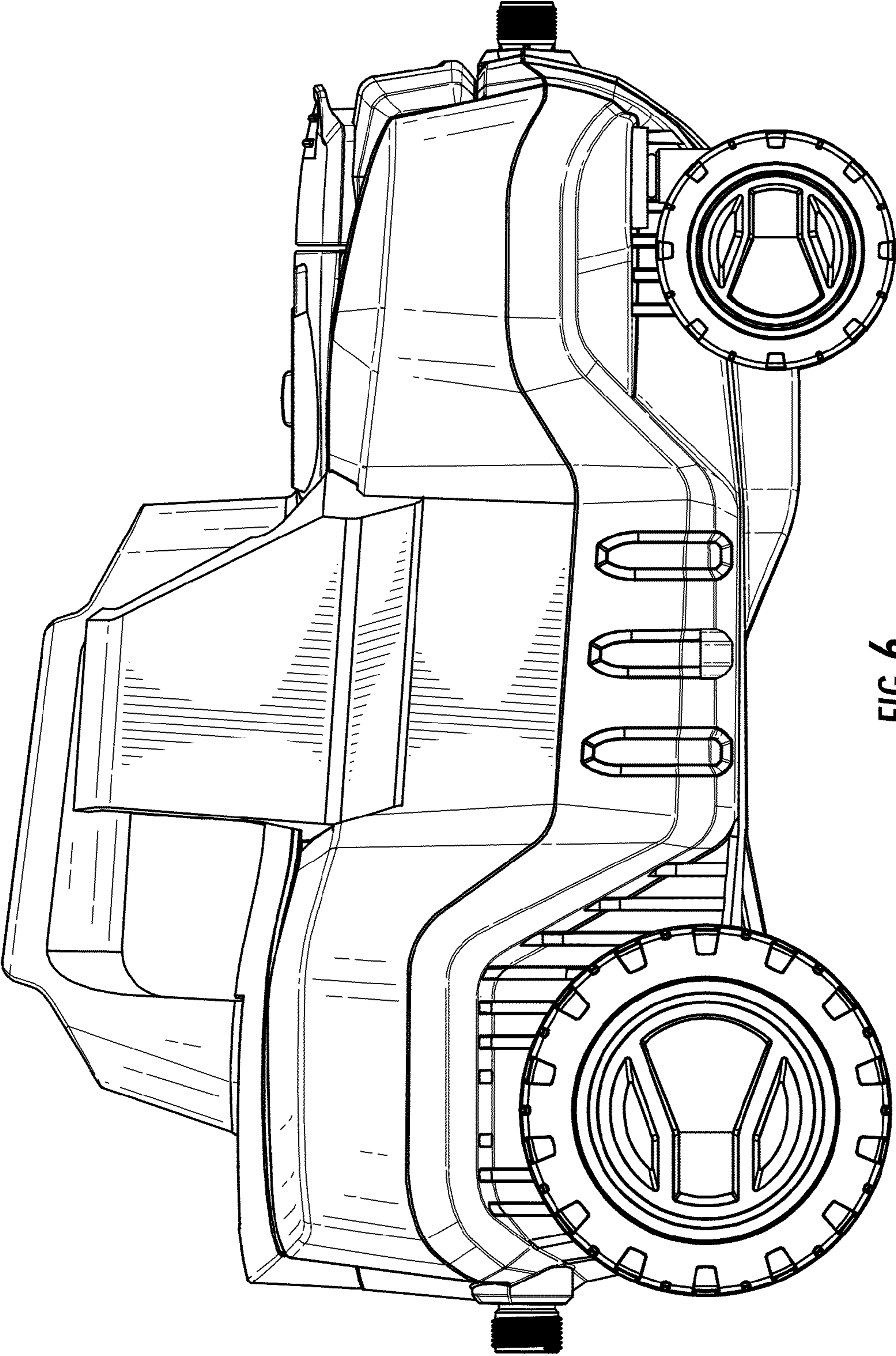


FIG. 6

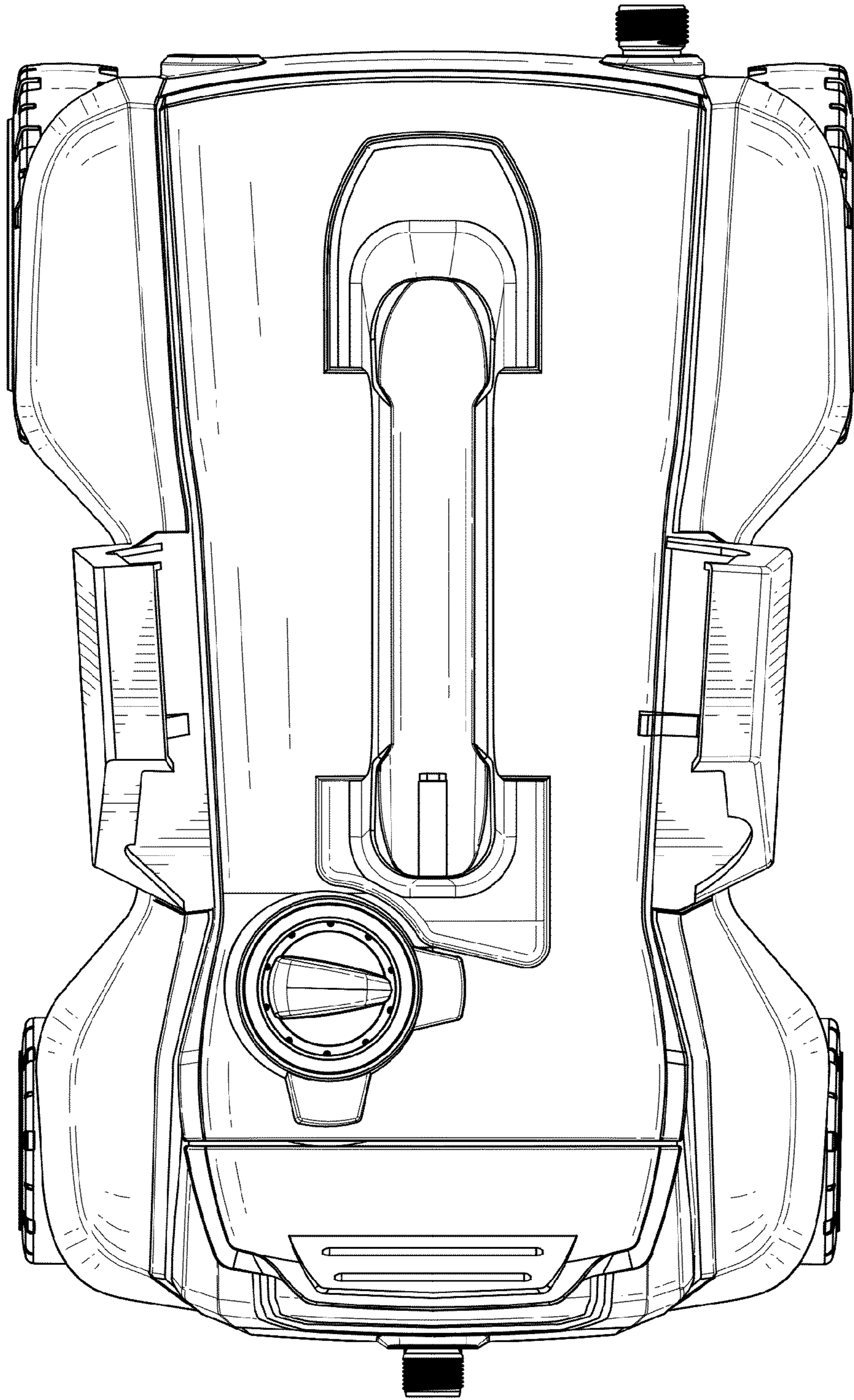


FIG. 7