

US00D730592S

(12) **United States Design Patent**
Roberson et al.

(10) **Patent No.:** **US D730,592 S**

(45) **Date of Patent:** **** May 26, 2015**

- (54) **DISHWASHER CONTROL PANEL**
- (71) Applicant: **BSH Home Appliances Corporation**,
Irvine, CA (US)
- (72) Inventors: **Lindsay Roberson**, Durham, NC (US);
Thomas Ott, Neubiberg (DE)
- (73) Assignee: **BSH Home Appliances Corporation**,
Irvine, CA (US)
- (**) Term: **14 Years**
- (21) Appl. No.: **29/478,288**
- (22) Filed: **Jan. 3, 2014**

Related U.S. Application Data

- (62) Division of application No. 29/467,697, filed on Sep. 23, 2013, now Pat. No. Des. 702,899, which is a division of application No. 29/451,789, filed on Apr. 9, 2013, now abandoned, which is a division of application No. 29/424,166, filed on Jun. 8, 2012, now Pat. No. Des. 684,735, which is a division of application No. 29/405,771, filed on Nov. 7, 2011, now Pat. No. Des. 665,957.
- (51) **LOC (10) Cl.** **15-05**
- (52) **U.S. Cl.**
USPC **D32/3**
- (58) **Field of Classification Search**
USPC D32/1, 2, 3, 25, 28; 312/31, 109, 228;
134/56 D, 57 D, 58 D, 58 DL, 201
See application file for complete search history.

(56) **References Cited**

U.S. PATENT DOCUMENTS

D385,070	S	*	10/1997	Hughes et al.	D32/3
D424,257	S	*	5/2000	Umeda et al.	D32/2
6,893,061	B2	*	5/2005	Miller et al.	292/303
D539,992	S	*	4/2007	Yamamoto et al.	D32/2
7,216,944	B2	*	5/2007	Oyler et al.	312/311
D544,657	S	*	6/2007	Jung et al.	D32/2
D577,869	S	*	9/2008	Tartan et al.	D32/2
D613,467	S	*	4/2010	Park et al.	D32/6
D627,937	S	*	11/2010	Kim	D32/2
D658,828	S	*	5/2012	Kim et al.	D32/2
D661,437	S	*	6/2012	Kim et al.	D32/2
D681,289	S	*	4/2013	Eng et al.	D32/3
2003/0030288	A1	*	2/2003	Miller et al.	292/303

* cited by examiner

Primary Examiner — Robert Delehanty

(74) *Attorney, Agent, or Firm* — James E. Howard; Andre Pallapies

(57) **CLAIM**

The ornamental design for a dishwasher control panel, as shown and described.

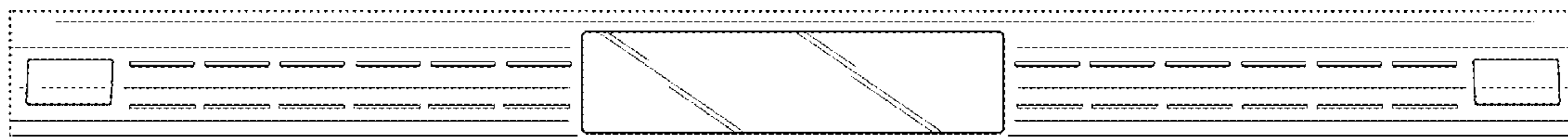
DESCRIPTION

FIG. 1 is a front view of a dishwasher control panel according to a first embodiment showing our new ornamental design; FIG. 2 is a front perspective view thereof; FIG. 3 is a front view of a dishwasher control panel according to a second embodiment showing our new ornamental design; and, FIG. 4 is a front perspective view thereof.

The broken lines of the dishwasher, dishwasher compartment and/or components thereof show surrounding structure or environment and do not form part of the claimed design.

The rear part of the dishwasher door, and the bottom, rear and top of the dishwasher compartment are unornamented and form no part of the claimed design.

1 Claim, 2 Drawing Sheets



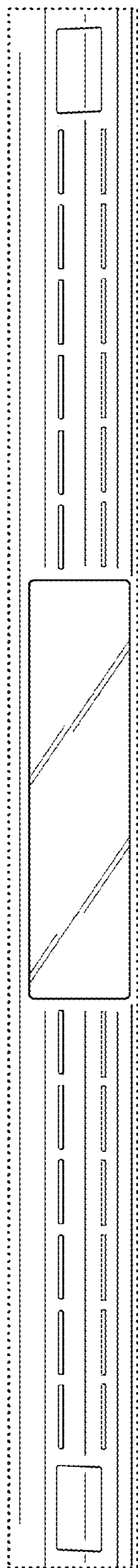


Fig. 1

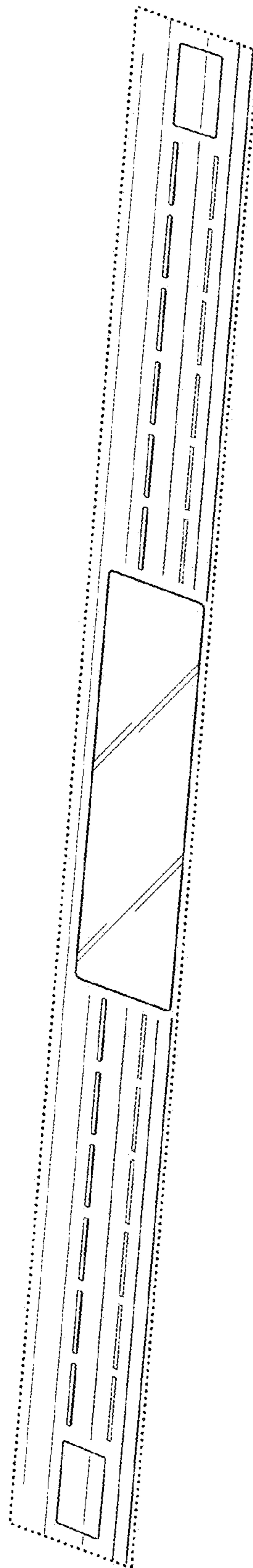


Fig. 2

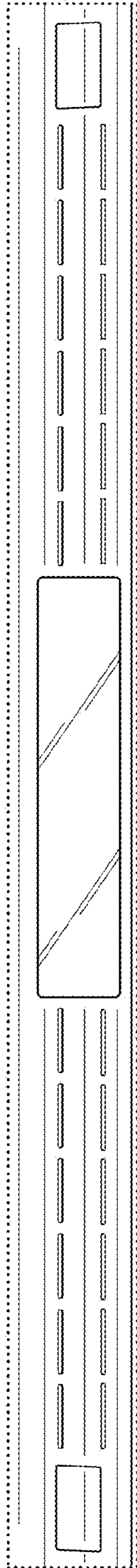


Fig. 3

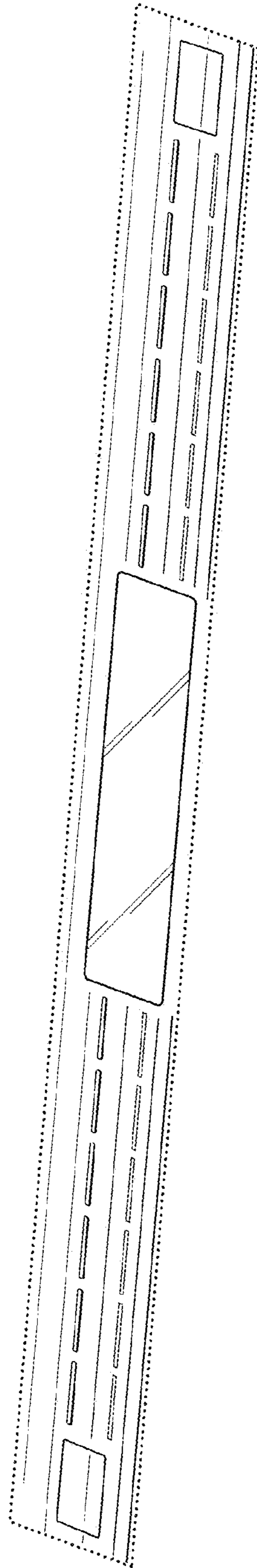


Fig. 4