



US00D730588S

(12) **United States Design Patent**
Risser et al.

(10) **Patent No.:** **US D730,588 S**

(45) **Date of Patent:** **** May 26, 2015**

(54) **FEEDER**

(71) Applicants: **Philip E. Risser**, Leola, PA (US); **Daniel B. Truong**, Lancaster, PA (US)

(72) Inventors: **Philip E. Risser**, Leola, PA (US); **Daniel B. Truong**, Lancaster, PA (US)

(73) Assignee: **Valco Companies, Inc.**, New Holland, PA (US)

(**) Term: **14 Years**

(21) Appl. No.: **29/453,413**

(22) Filed: **Apr. 29, 2013**

(51) **LOC (10) Cl.** **30-03**

(52) **U.S. Cl.**
USPC **D30/121**; D30/131; D30/133; D30/124

(58) **Field of Classification Search**
CPC A01K 5/0114; A01K 5/01; A01K 5/0135; A01K 7/005; A01K 7/00; A01K 7/02; A01K 5/0142; A01K 5/0121; A01K 5/0128; A01K 27/004; A01K 39/014; A01K 39/00; A01K 39/02; A01K 39/0113; A01K 5/00; A01K 5/0107; A01K 5/0225; A47J 43/0727; A01M 29/34; B29C 65/48; B65D 81/36; B65D 1/00; B65D 85/505; B65D 85/52; Y10T 29/4998; A45C 3/04; A45C 13/26; E04B 2/74; A47H 27/00

USPC D30/130-132, 199, 121-124; 119/72, 119/72.5, 75, 78, 53, 74, 76, 79, 80, 81, 119/51.01, 51.04, 52.1, 54, 57.4, 58, 61.1, 119/61.5, 52.4; 137/592, 408, 614.2; 239/28; 4/377; D7/553.4, 553.8, 552.2, D7/549, 555, 557, 554.2, 359, 586, 551.1, D7/553.7, 553.6, 546, 547, 672, 570, 544, D7/564, 587, 584; D9/428, 432; D27/134; 220/630, 575, 574, 506; D11/149, 152; 99/442, 428, DIG. 15; 131/232; 249/169

See application file for complete search history.

(56) **References Cited**

U.S. PATENT DOCUMENTS

156,348	A *	10/1874	Hendryx	119/464
171,309	A *	12/1875	Osborn et al.	119/464
757,645	A *	4/1904	Bassett	224/604
D38,950	S *	12/1907	Anderson	D7/555
1,061,769	A *	5/1913	Meinecke	604/317
D44,448	S *	8/1913	Meinecke	D24/123
D46,262	S *	8/1914	Meinecke	D24/123
D62,668	S *	7/1923	Connor	D34/1
D66,931	S *	3/1925	Farrell	D7/550.1
D93,163	S *	8/1934	Hart	D7/566
2,023,470	A *	12/1935	Hart	220/574
D104,731	S *	6/1937	Spence	D7/555
D128,124	S *	7/1941	Melville	D7/708
2,460,957	A *	2/1949	Whitfield	285/330
D154,226	S *	6/1949	Ackermann	D32/53
D154,272	S *	6/1949	Heim	D6/511
D155,474	S *	10/1949	Berch	D7/543
2,549,282	A *	4/1951	Aschbrenner	220/766
D170,138	S *	8/1953	Roop	D34/1

(Continued)

Primary Examiner — Susan Moon Lee

(74) *Attorney, Agent, or Firm* — Duane Morris LLP

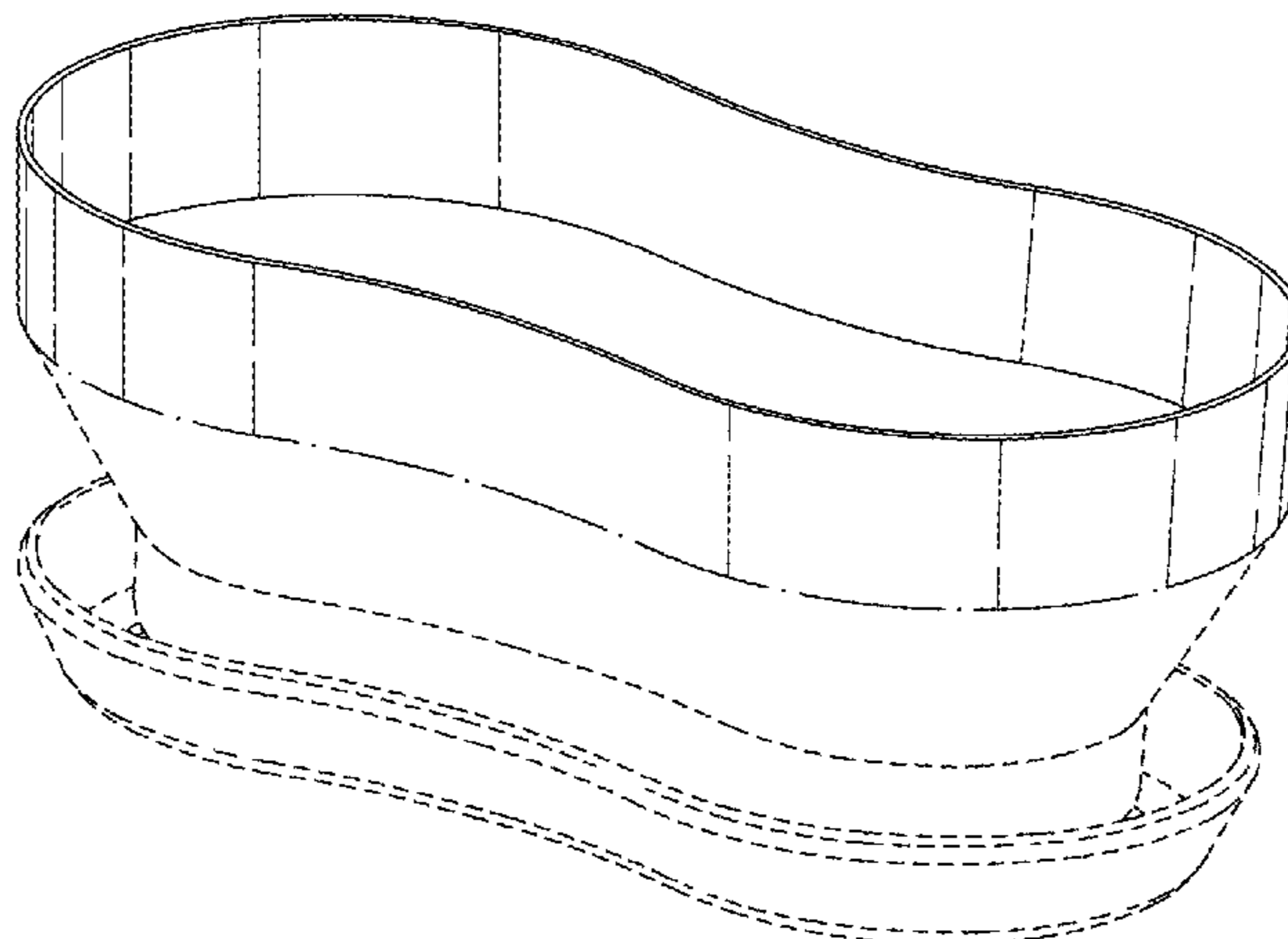
(57) **CLAIM**

We claim the ornamental design for a feeder, as shown and described.

DESCRIPTION

FIG. 1 is a perspective view of a feeder;
FIG. 2 is a top view of the feeder;
FIG. 3 is a bottom view of the feeder;
FIG. 4 is a right side view of the feeder, the left side view being a mirror image thereof; and,
FIG. 5 is a front view of the feeder, the back view being a mirror image thereof.
Broken lines and unshaded portions contained within broken line are not claimed.
The dot dash boundary lines indicate the border at which claimed portions terminate and unclaimed portions begin.

1 Claim, 3 Drawing Sheets



(56)

References Cited

U.S. PATENT DOCUMENTS

- D170,199 S * 8/1953 Hyman D3/242
D174,831 S * 5/1955 Nowak D7/550.1
2,796,042 A * 6/1957 Cope 119/69.5
D181,044 S * 9/1957 Eubanks, Jr. D25/2
2,814,427 A * 11/1957 Emery 229/406
D185,879 S * 8/1959 Reinecke D34/1
3,033,163 A * 5/1962 Hostetler et al.
3,073,061 A * 1/1963 Pearson 47/83
3,230,933 A * 1/1966 Myers et al.
D204,071 S * 3/1966 Earl D7/553.1
D204,784 S * 5/1966 O'Neil D28/73
D206,750 S * 1/1967 Diamond et al. D25/2
D209,239 S * 11/1967 Bernstein D9/425
3,384,263 A * 5/1968 Bernstein 206/519
D211,903 S * 8/1968 Hack D34/1
3,402,871 A * 9/1968 Palmer 220/671
D212,437 S * 10/1968 Paxton D11/156
3,415,228 A * 12/1968 Myers
3,421,162 A * 1/1969 Greenberg et al. 4/513
3,428,969 A * 2/1969 Gershman et al. 52/245
D213,771 S * 4/1969 McBride D25/2
D214,902 S * 8/1969 Goodall D23/280.1
D215,345 S * 9/1969 Mangold et al. D34/1
D216,058 S * 11/1969 Painter et al. D24/123
D220,928 S * 6/1971 Bost D24/123
3,598,087 A * 8/1971 Ramser
3,615,038 A * 10/1971 Brownold et al. 220/62.13
3,971,340 A * 7/1976 Allen
4,003,339 A * 1/1977 Hostetler
D244,452 S * 5/1977 Ohshiro D25/2
D245,922 S * 9/1977 Mills D24/123
D249,162 S * 8/1978 Mills D24/123
D257,107 S * 9/1980 Daenen et al. D7/586
D265,582 S * 7/1982 Kohler, Jr. D23/280.2
D269,460 S * 6/1983 Kohler, Jr. D23/280.2
D275,597 S * 9/1984 Lax D24/205
4,476,811 A * 10/1984 Swartzendruber
D280,058 S * 8/1985 Carlson D7/629
4,573,579 A * 3/1986 Murdick et al. 206/525
D286,679 S * 11/1986 D'Innocente et al. D24/204
D294,531 S * 3/1988 Neunzig D30/130
D294,749 S * 3/1988 Fuller D30/132
4,941,586 A * 7/1990 Tarna 222/572
D312,968 S * 12/1990 Wolff D9/431
5,007,380 A * 4/1991 Badia et al.
D318,720 S * 7/1991 Dowse D23/277
D322,013 S * 12/1991 Daenen et al. D7/542
D328,636 S * 8/1992 Cobb D23/280.1
5,147,342 A * 9/1992 Kane et al. 604/356
D330,312 S * 10/1992 Narsutis D7/629
D337,187 S * 7/1993 Hampshire D34/1
D342,806 S * 12/1993 Jones et al. D28/73
D343,711 S * 1/1994 Craft et al. D32/37
5,277,149 A * 1/1994 East 119/51.5
D346,720 S * 5/1994 Onneweer D7/629
D347,058 S * 5/1994 Valentine D24/123
5,367,718 A * 11/1994 Ellis 4/449
D354,377 S * 1/1995 Wenstrand D30/131
D356,754 S * 3/1995 Schmidt et al. D11/152
D361,005 S * 8/1995 Traver D6/520
D362,090 S * 9/1995 Baldwin et al. D30/130
D362,931 S * 10/1995 Brightbill et al. D32/37
5,492,533 A * 2/1996 Kriesel 604/132
D370,157 S * 5/1996 Chen D7/543
D372,169 S * 7/1996 Newman D7/539
D372,887 S * 8/1996 Deelen D11/152
D373,053 S * 8/1996 Allegre D7/587
D379,684 S * 6/1997 Dennis D30/130
D381,159 S * 7/1997 Hampton D34/1
D381,560 S * 7/1997 Indekeu D7/538
D383,671 S * 9/1997 Phillips D9/429
D385,213 S * 10/1997 McAllister D11/156
5,715,968 A * 2/1998 Fink et al. 220/669
D395,824 S * 7/1998 Durliat D9/430
D397,250 S * 8/1998 Fink et al. D3/309
D402,509 S * 12/1998 Indekeu D7/566
D408,549 S * 4/1999 Sullivan D25/2
D408,550 S * 4/1999 Sullivan D25/2
D410,780 S * 6/1999 McGinty D30/124
D411,078 S * 6/1999 Cornelissen D7/586
D415,392 S * 10/1999 Wallays et al. D7/601
D415,933 S * 11/1999 Cornelissen D7/587
D418,020 S * 12/1999 Tardif D7/602
6,039,205 A * 3/2000 Flink 220/659
6,041,715 A * 3/2000 Jarke et al. 108/43
D423,276 S * 4/2000 McDonald et al. D7/354
D423,880 S * 5/2000 Rashid D7/545
D426,751 S * 6/2000 Obra D7/555
D428,358 S * 7/2000 Grosfillex D11/151
D428,383 S * 7/2000 Ozark et al. D12/419
D428,810 S * 8/2000 Lowry et al. D9/432
D428,829 S * 8/2000 Grosfillex D11/152
D430,458 S * 9/2000 Kellermann D7/566
D430,710 S * 9/2000 Sheely D30/129
D430,959 S * 9/2000 Sheely D30/129
D431,421 S * 10/2000 Liu D7/545
D433,109 S * 10/2000 Wilke et al. D23/284
D435,230 S * 12/2000 Spiegel D11/143
D436,803 S * 1/2001 Addison D7/513
D436,854 S * 1/2001 Feldmeier D9/434
D438,010 S * 2/2001 Drury et al. D3/307
6,189,851 B1 * 2/2001 Ozark et al. 248/311.2
D439,162 S * 3/2001 Juhng D9/430
D439,404 S * 3/2001 Dar D3/264
D439,545 S * 3/2001 Grosfillex D11/152
D441,075 S * 4/2001 Nara D24/122
D444,035 S * 6/2001 Austen-Meek D7/602
D446,684 S * 8/2001 Price D7/509
D447,024 S * 8/2001 Thomas D7/701
D447,688 S * 9/2001 Jalet et al. D9/425
D449,102 S * 10/2001 Shin D23/366
D450,926 S * 11/2001 Dickinson et al. D3/304
D455,838 S * 4/2002 Erdelac D25/2
D457,317 S * 5/2002 Steere D3/303
6,381,852 B1 * 5/2002 Wallays et al. 30/123
D462,266 S * 9/2002 Gittins et al. D9/430
D462,877 S * 9/2002 Lillelund et al. D7/552.1
D464,199 S * 10/2002 Lacy et al. D3/306
D469,320 S * 1/2003 Pettaweebuncha D7/629
D469,690 S * 2/2003 Pau D9/761
D478,860 S * 8/2003 Young D12/419
D481,594 S * 11/2003 Roehrig D7/555
6,655,317 B1 * 12/2003 Steudler, Jr. et al.
D485,529 S * 1/2004 Schoenberger D12/419
D486,701 S * 2/2004 Kotsonis et al. D7/672
D487,669 S * 3/2004 Smith et al. D7/396.1
D490,161 S * 5/2004 Erdelac D25/2
D490,903 S * 6/2004 Erdelac D25/2
D491,277 S * 6/2004 Erdelac et al. D25/2
D492,106 S * 6/2004 Fonfeder D3/206
D496,272 S * 9/2004 Jackson et al. D9/425
D501,760 S * 2/2005 Bukowski D7/550.1
D502,394 S * 3/2005 Jackson et al. D9/425
D512,686 S * 12/2005 Langley et al. D13/119
D512,801 S * 12/2005 Kratzer et al. D30/130
D514,708 S * 2/2006 Sullivan D25/2
D515,873 S * 2/2006 Vendl et al. D7/545
D522,314 S * 6/2006 Warner D7/545
D523,697 S * 6/2006 Haataja D7/587
D524,109 S * 7/2006 Haataja D7/584
D524,604 S * 7/2006 Vendl et al. D7/545
D525,831 S * 8/2006 Ray D7/566
D527,081 S * 8/2006 Hatrick-Smith D23/280.1
D528,299 S * 9/2006 Kim D3/294
D528,366 S * 9/2006 Medard D7/545
7,104,416 B2 * 9/2006 Gasco et al. 220/608
D536,874 S * 2/2007 Splain et al. D3/309
D539,612 S * 4/2007 Foss D7/629
D541,529 S * 5/2007 Steinhobel D3/276
D541,935 S * 5/2007 Mijers D24/129
D543,075 S * 5/2007 Ablo D7/566
D543,788 S * 6/2007 Hong D7/603
D544,790 S * 6/2007 Bouveret et al. D9/428
D546,474 S * 7/2007 Sullivan D25/2

(56)

References Cited

U.S. PATENT DOCUMENTS

- D547,179 S * 7/2007 Bouveret et al. D9/428
D548,588 S * 8/2007 Bouveret et al. D9/428
D551,516 S * 9/2007 Kortleven D7/629
D552,347 S * 10/2007 Kim D3/265
D553,361 S * 10/2007 Splain et al. D3/304
D556,954 S * 12/2007 May D30/129
D557,413 S * 12/2007 Buermann D24/123
D557,991 S * 12/2007 Hong D7/603
D559,399 S * 1/2008 Sullivan D25/2
D559,400 S * 1/2008 Sullivan D25/2
D562,639 S * 2/2008 Ablo D7/566
D564,229 S * 3/2008 Splain et al. D3/309
D569,690 S * 5/2008 Schosser D7/570
D569,722 S * 5/2008 Stamper et al. D9/425
D573,412 S * 7/2008 Ablo D7/566
D573,719 S * 7/2008 Sullivan D25/2
D575,590 S * 8/2008 Ablo D7/586
D579,767 S * 11/2008 Wallach D9/416
D584,174 S * 1/2009 Jalet D10/46.2
D588,496 S * 3/2009 White D11/156
D592,458 S * 5/2009 Scherer D7/566
D597,371 S * 8/2009 Tosdale et al. D7/354
D598,715 S * 8/2009 Foss D7/602
D602,653 S * 10/2009 Mendenhall D30/130
D608,633 S * 1/2010 Elmerhaus D23/293.1
D608,901 S * 1/2010 Gill D25/2
D610,408 S * 2/2010 Paolini D7/566
D611,304 S * 3/2010 DeLeo D7/542
D612,214 S * 3/2010 Murray D7/628
D613,108 S * 4/2010 Tosdale et al. D7/354
D621,616 S * 8/2010 Tussy D3/294
7,780,036 B2 * 8/2010 Splain et al. 220/774
D634,669 S * 3/2011 Brandstatter D11/152
D637,483 S * 5/2011 Snedden et al. D9/425
D639,124 S * 6/2011 Byun D7/701
D644,389 S * 8/2011 Roberts et al. D34/7
D645,738 S * 9/2011 Shiffer et al. D9/428
D646,160 S * 10/2011 Shiffer et al. D9/428
D647,396 S * 10/2011 Facchina et al. D9/428
D649,085 S * 11/2011 Tremblay et al. D11/155
D650,660 S * 12/2011 Shiffer et al. D9/428
D650,661 S * 12/2011 Shiffer et al. D9/428
D650,662 S * 12/2011 Shiffer et al. D9/428
D650,663 S * 12/2011 Shiffer et al. D9/428
D653,105 S * 1/2012 Degeyter et al. D9/425
D657,614 S * 4/2012 Pierce D7/354
D658,538 S * 5/2012 Korzeniowski D11/143
D658,540 S * 5/2012 Korzeniowski D11/153
D661,943 S * 6/2012 Pallotto et al. D7/354
D661,949 S * 6/2012 Geraghty D7/586
D665,141 S * 8/2012 Cataldo D34/7
D665,221 S * 8/2012 Tosdale et al. D7/354
D665,961 S * 8/2012 Cohn D34/1
D667,706 S * 9/2012 Sandford et al. D7/672
D669,979 S * 10/2012 Adams D24/123
D676,147 S * 2/2013 Sullivan D25/2
D677,972 S * 3/2013 Tosdale et al. D7/354
D681,395 S * 5/2013 Matsumoto et al. D7/505
D689,245 S * 9/2013 Rowe et al. D30/132
D690,553 S * 10/2013 Tosdale et al. D7/354
D690,891 S * 10/2013 Barre et al. D32/37
D691,341 S * 10/2013 Barre et al. D32/37
D691,845 S * 10/2013 Tosdale et al. D7/354
D692,572 S * 10/2013 Steinman et al. D24/216
D694,584 S * 12/2013 Matsumoto et al. D7/505
D694,585 S * 12/2013 Matsumoto et al. D7/505
D694,628 S * 12/2013 Matsumoto et al. D9/505
D700,481 S * 3/2014 Yessin et al. D7/602
D706,089 S * 6/2014 Geier D7/672
D706,621 S * 6/2014 Tuchrelo et al. D9/425
D706,622 S * 6/2014 Bischoff et al. D9/425
D706,671 S * 6/2014 Thuma et al. D11/152
D710,059 S * 7/2014 Risser et al. D30/121
D710,652 S * 8/2014 Marzotto D7/603
D710,701 S * 8/2014 Lai D9/456
D713,207 S * 9/2014 Hickox D7/543
D720,098 S * 12/2014 Septien Prieto D30/121
2005/0189360 A1 * 9/2005 Loucks et al. 220/676

* cited by examiner

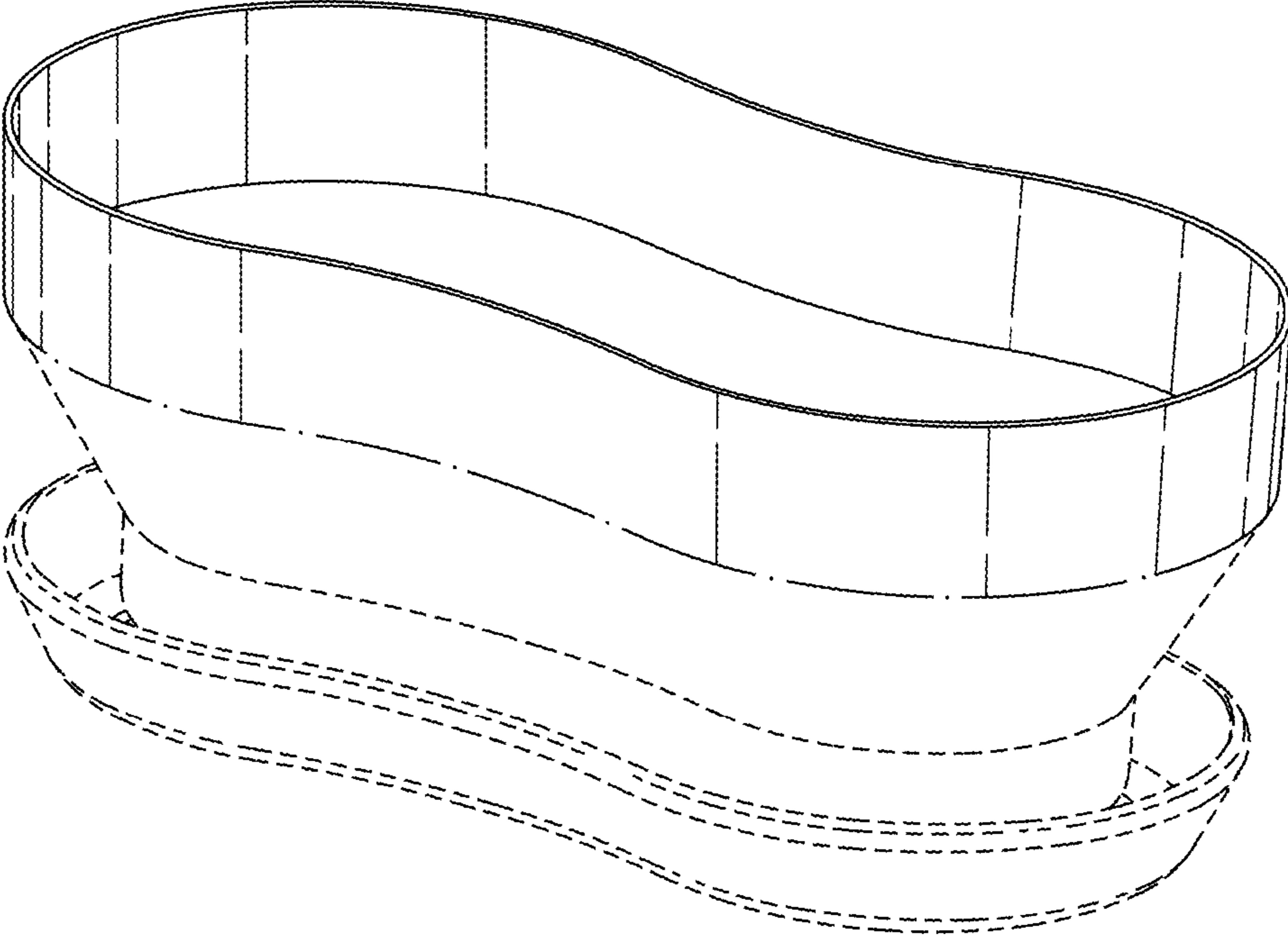


FIG. 1

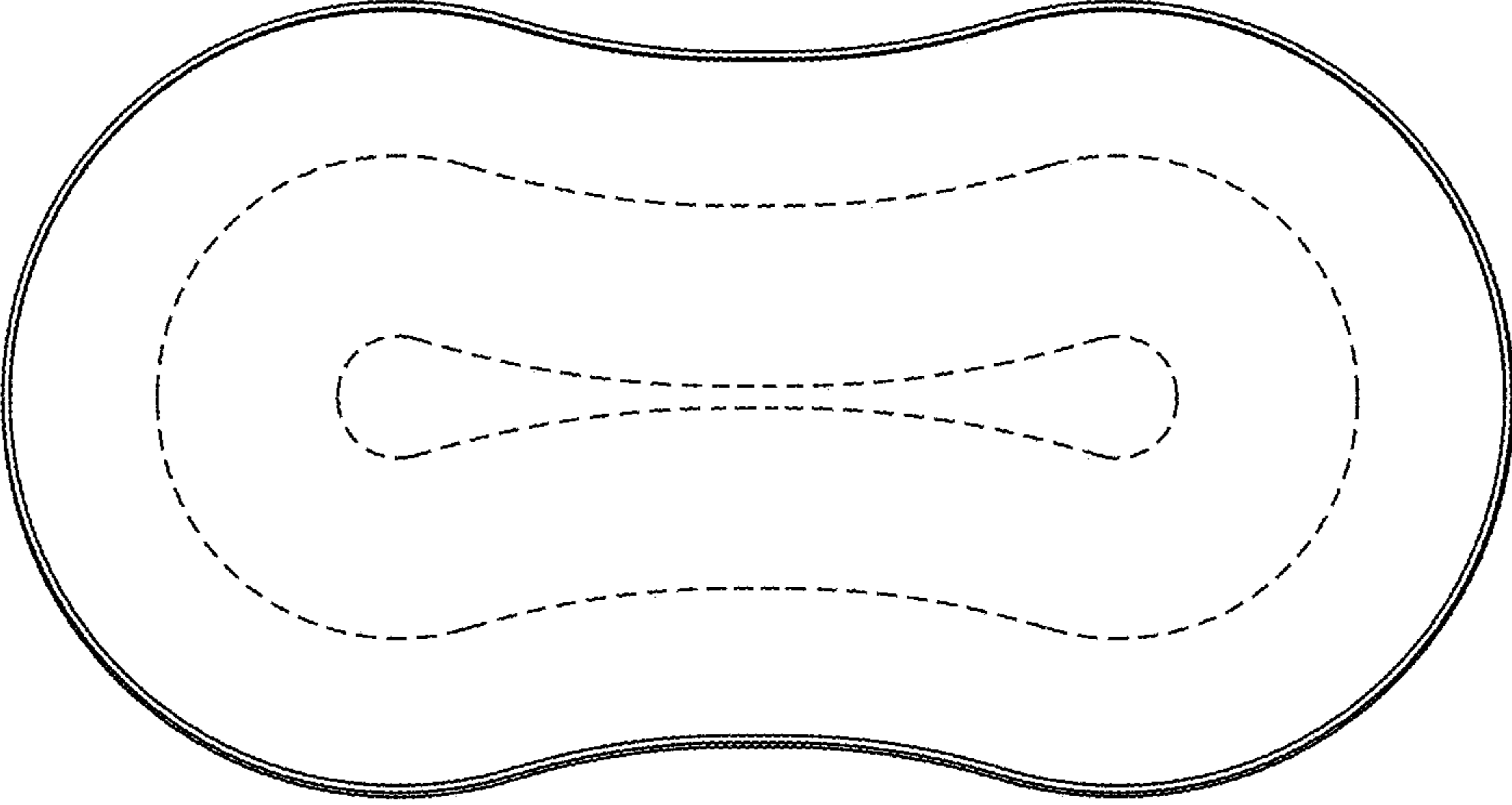


FIG. 2

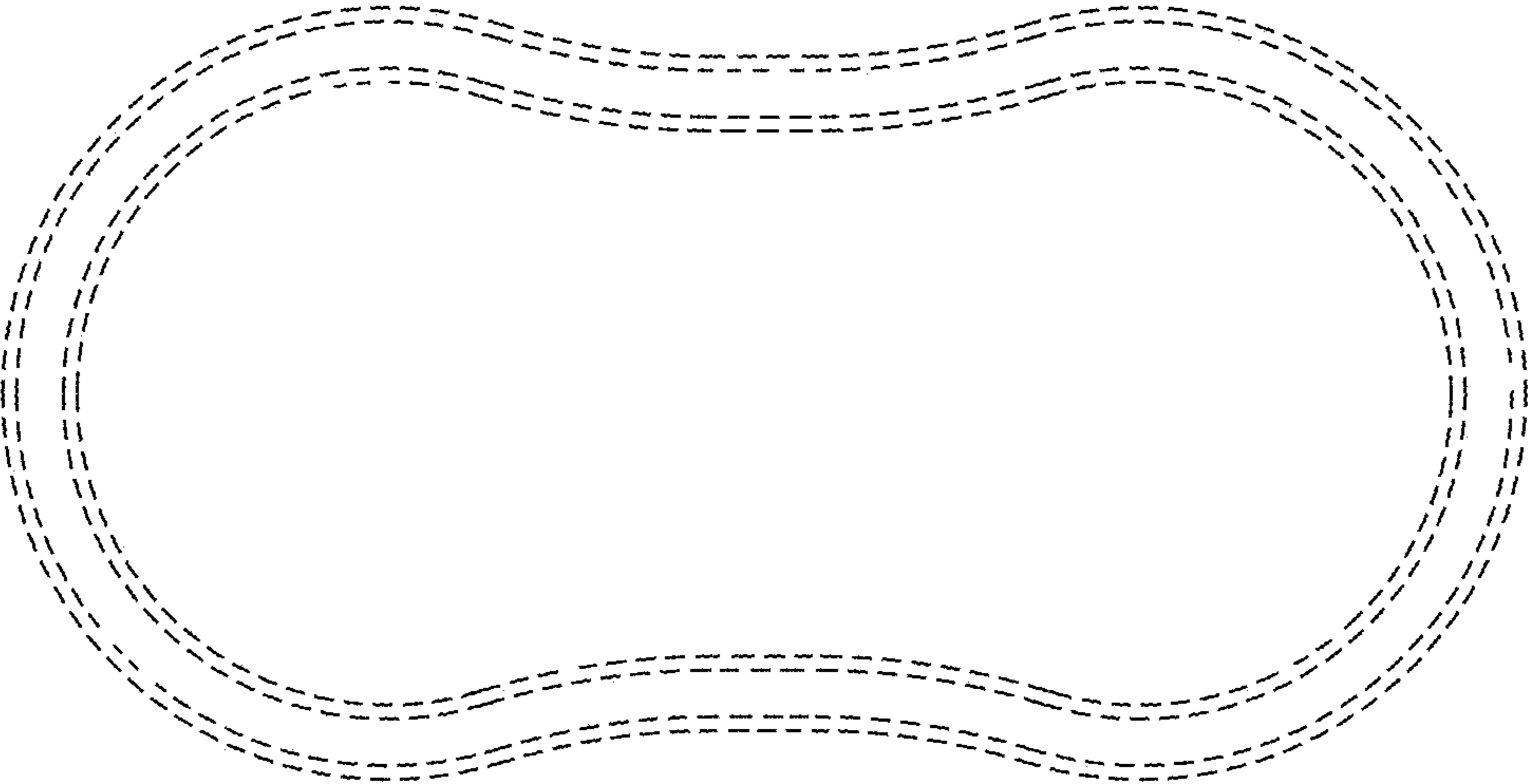


FIG. 3

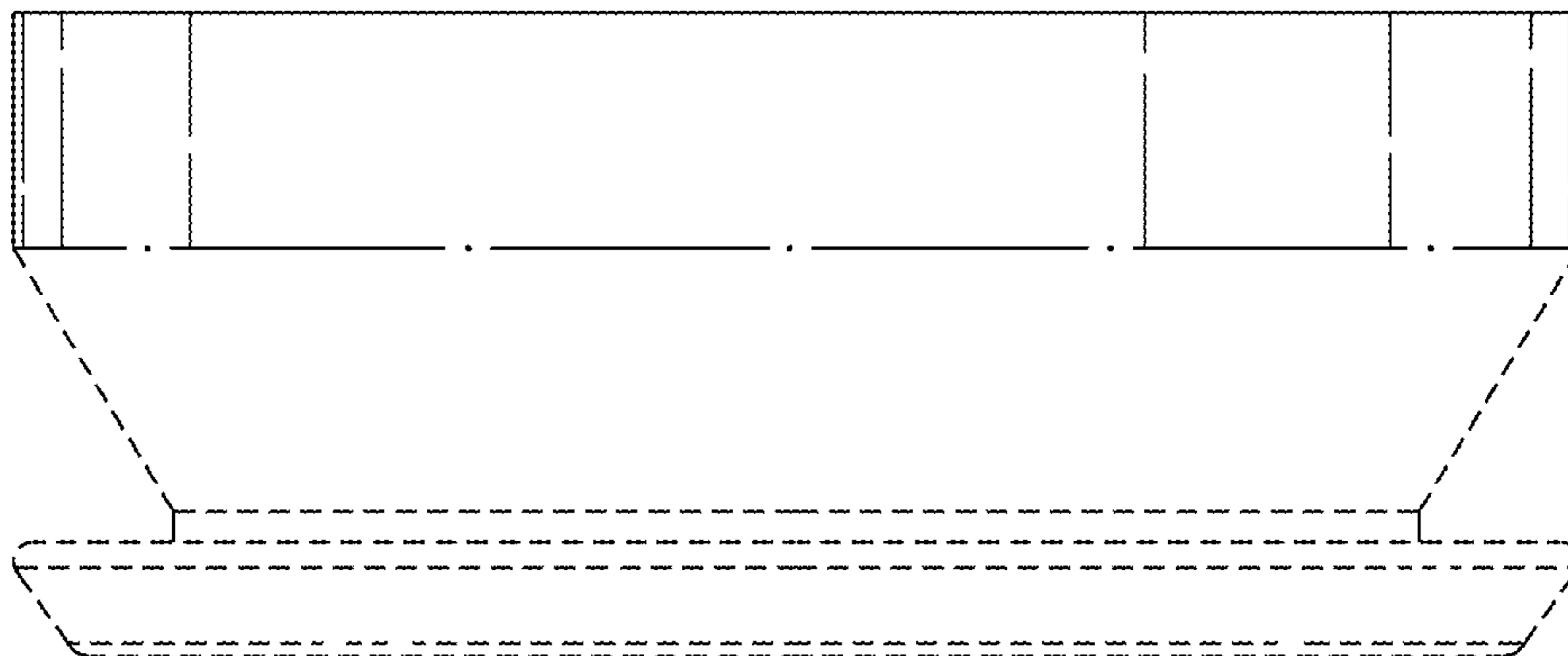


FIG. 4

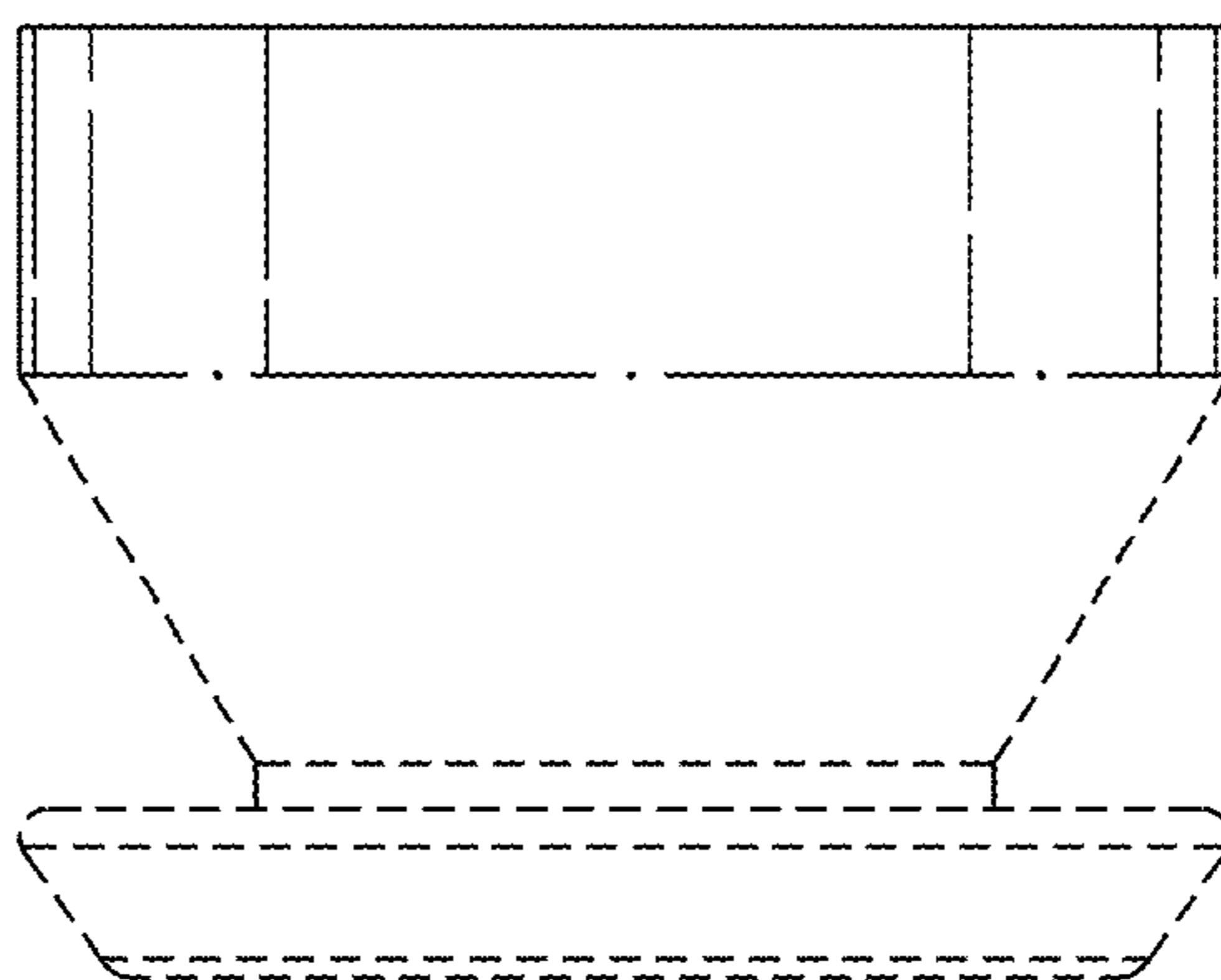


FIG. 5